



US00D333672S

# United States Patent [19]

[11] Patent Number: **Des. 333,672**

Minamizono

[45] Date of Patent: **\*\* Mar. 2, 1993**

## [54] SALES PROCESSING TERMINAL

[75] Inventor: **Masaki Minamizono, Kawasaki, Japan**

[73] Assignee: **Nitsuko Corporation, Kawasaki, Japan**

[\*\*] Term: **14 Years**

[21] Appl. No.: **773,205**

[22] Filed: **Oct. 8, 1991**

### [30] Foreign Application Priority Data

May 23, 1991 [JP] Japan ..... 2-14790

[52] U.S. Cl. .... **D18/4; D14/106**

[58] Field of Search ..... **D18/3, 4; D14/100, 105, D14/106, 107, 113; 235/10, 1 E, 2, 4, 7 R, 10, 375, 379, 380, 419; 364/404, 405, 706-710; 400/472, 479, 485, 486**

## [56] References Cited

### U.S. PATENT DOCUMENTS

D. 303,956 10/1989 Ditzik ..... D14/106

D. 304,444 11/1989 Ikeya ..... D18/4

D. 305,534 1/1990 Weber et al. .... D14/106

D. 310,066 8/1990 Forsythe ..... D18/4

D. 321,706 11/1991 Yamamoto ..... D18/4

*Primary Examiner*—Nelson C. Holtje  
*Assistant Examiner*—Ann Hunt  
*Attorney, Agent, or Firm*—Keck, Mahin & Cate

## [57] CLAIM

The ornamental design for a sales processing terminal, as shown and described.

## DESCRIPTION

FIG. 1 is a perspective view of a sales processing terminal showing my new design;

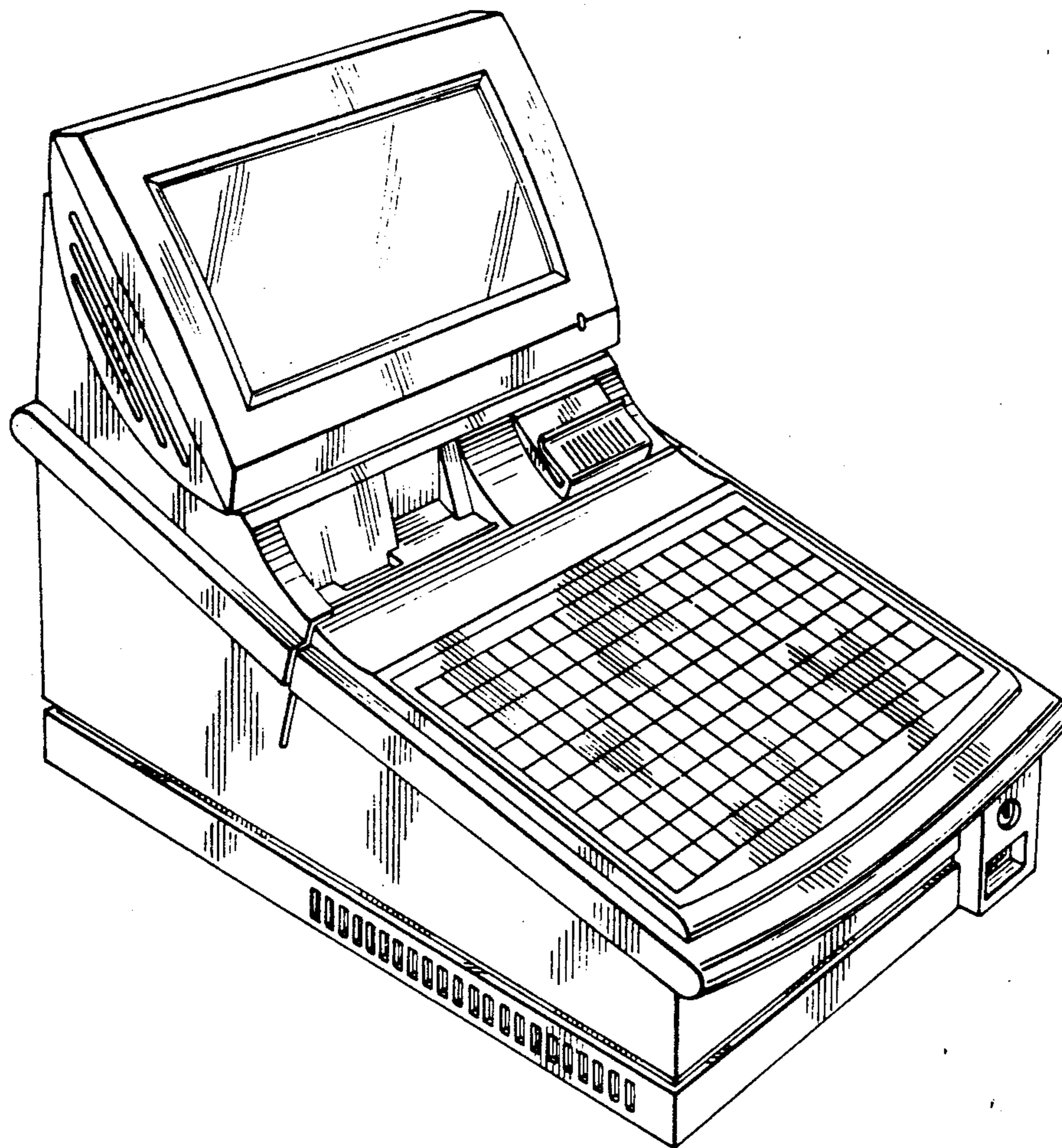
FIG. 2 is a right side elevational view thereof;

FIG. 3 is a front elevational view thereof;

FIG. 4 is a rear elevational view thereof;

FIG. 5 is a top plan view thereof; and,

FIG. 6 is a bottom plan view thereof.



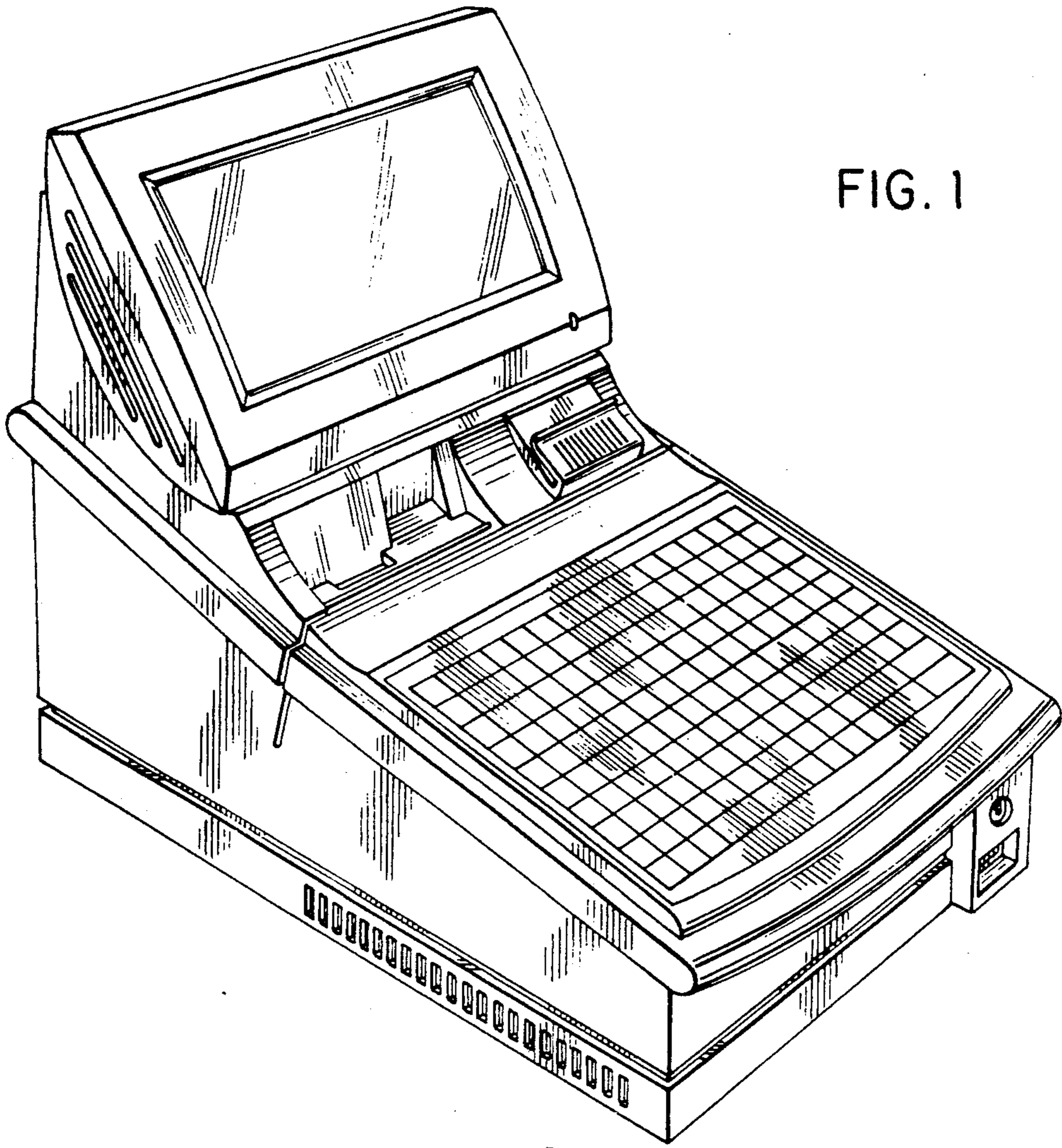


FIG. 1

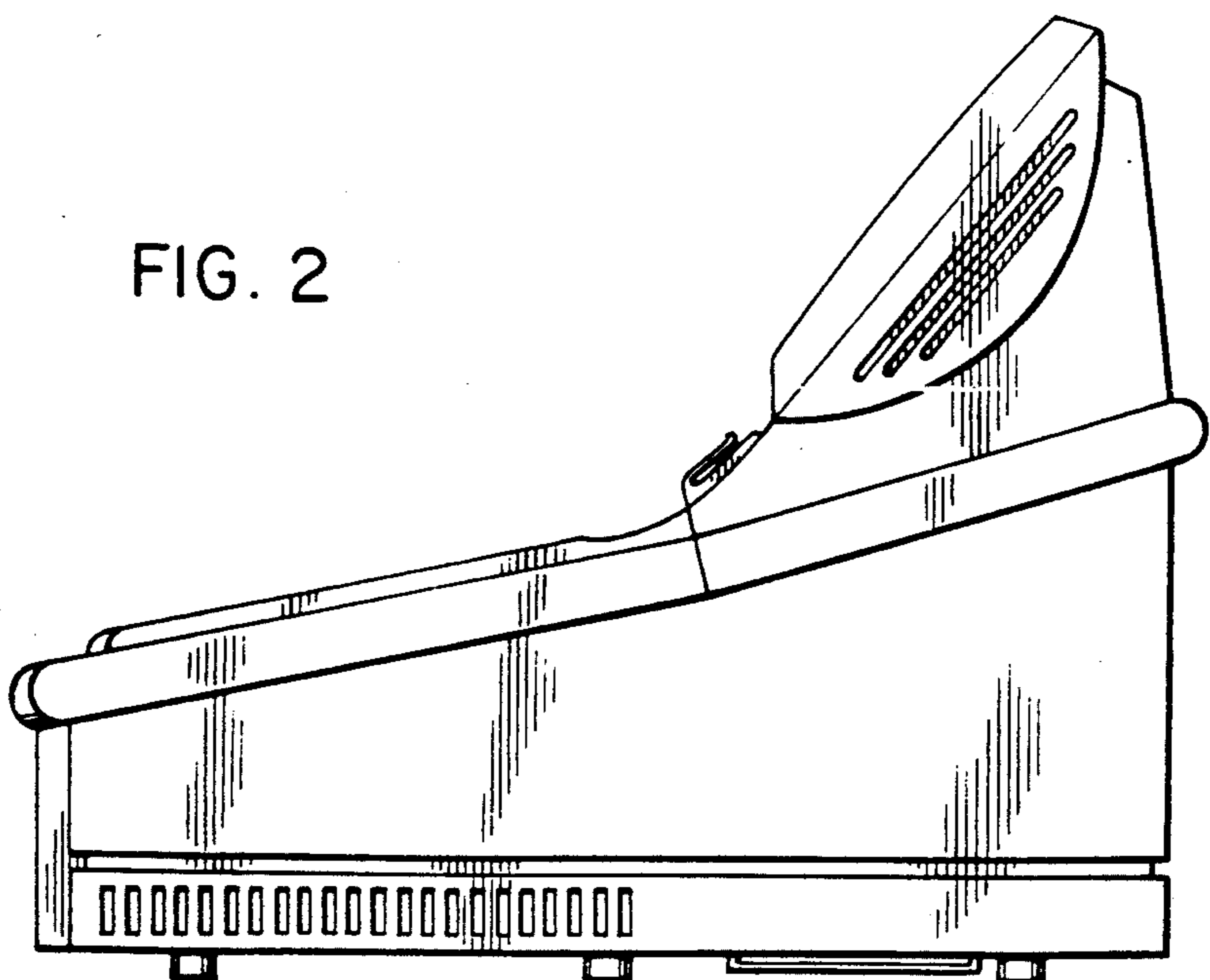


FIG. 2

FIG. 3

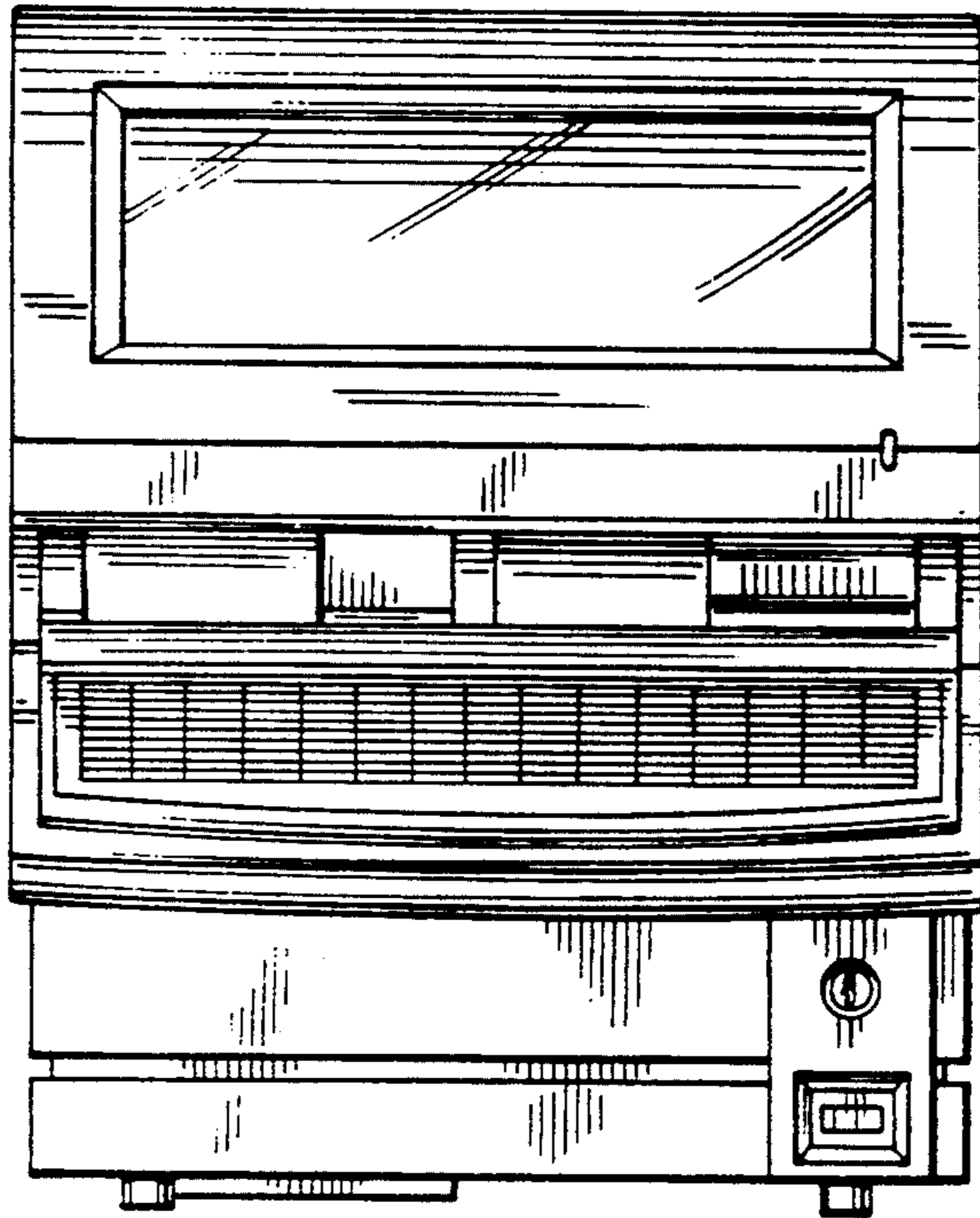
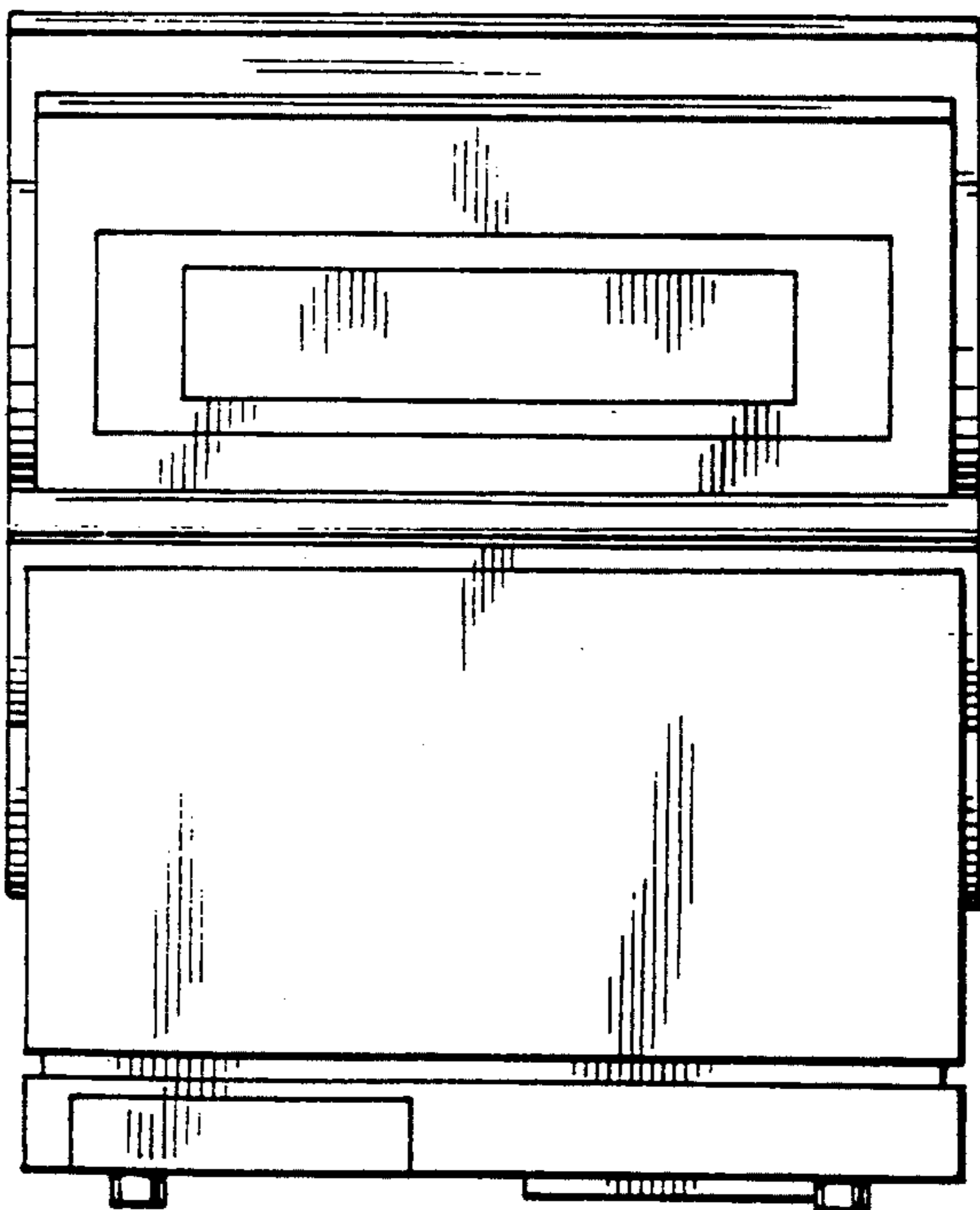


FIG. 4



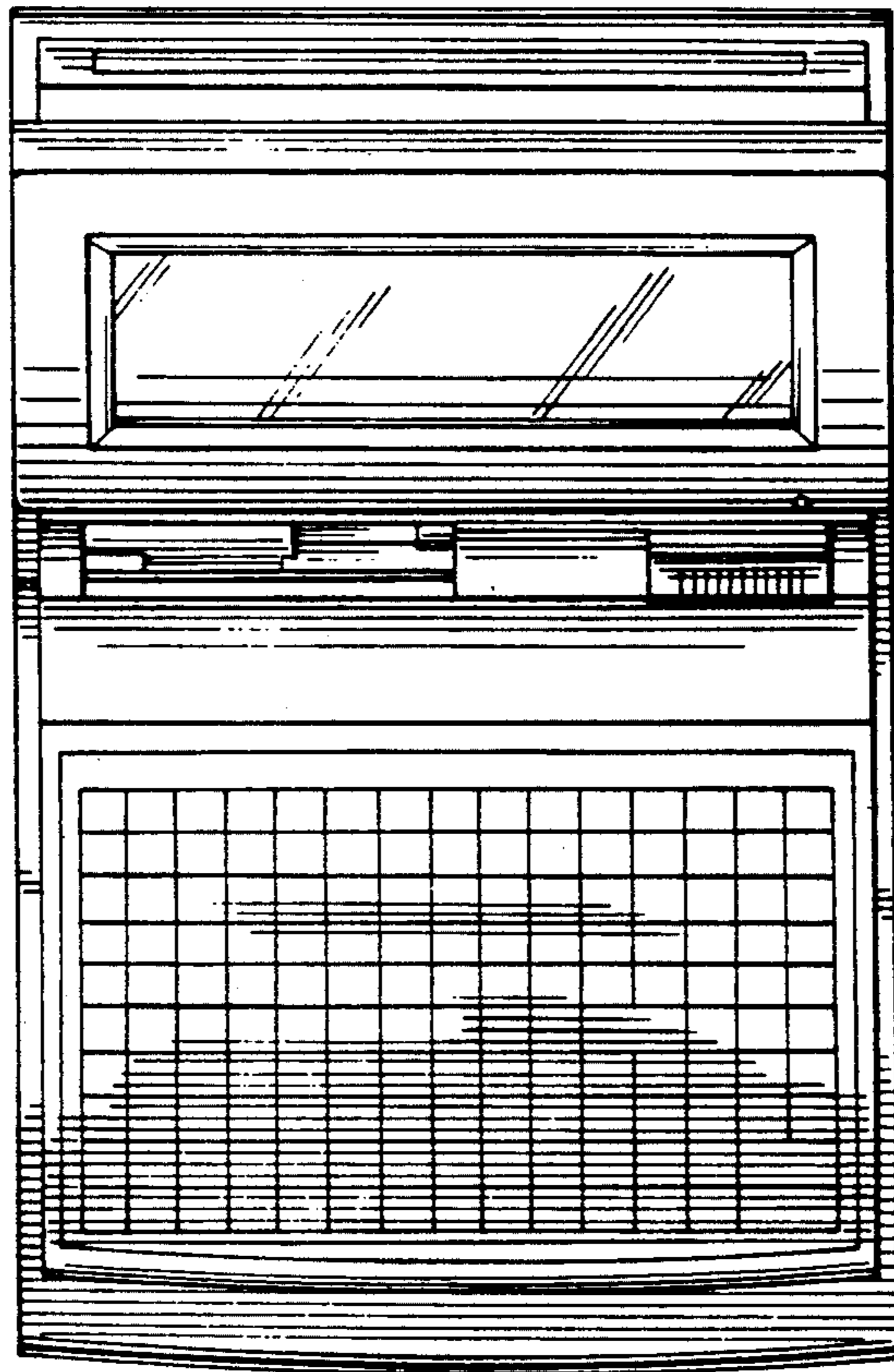


FIG. 5

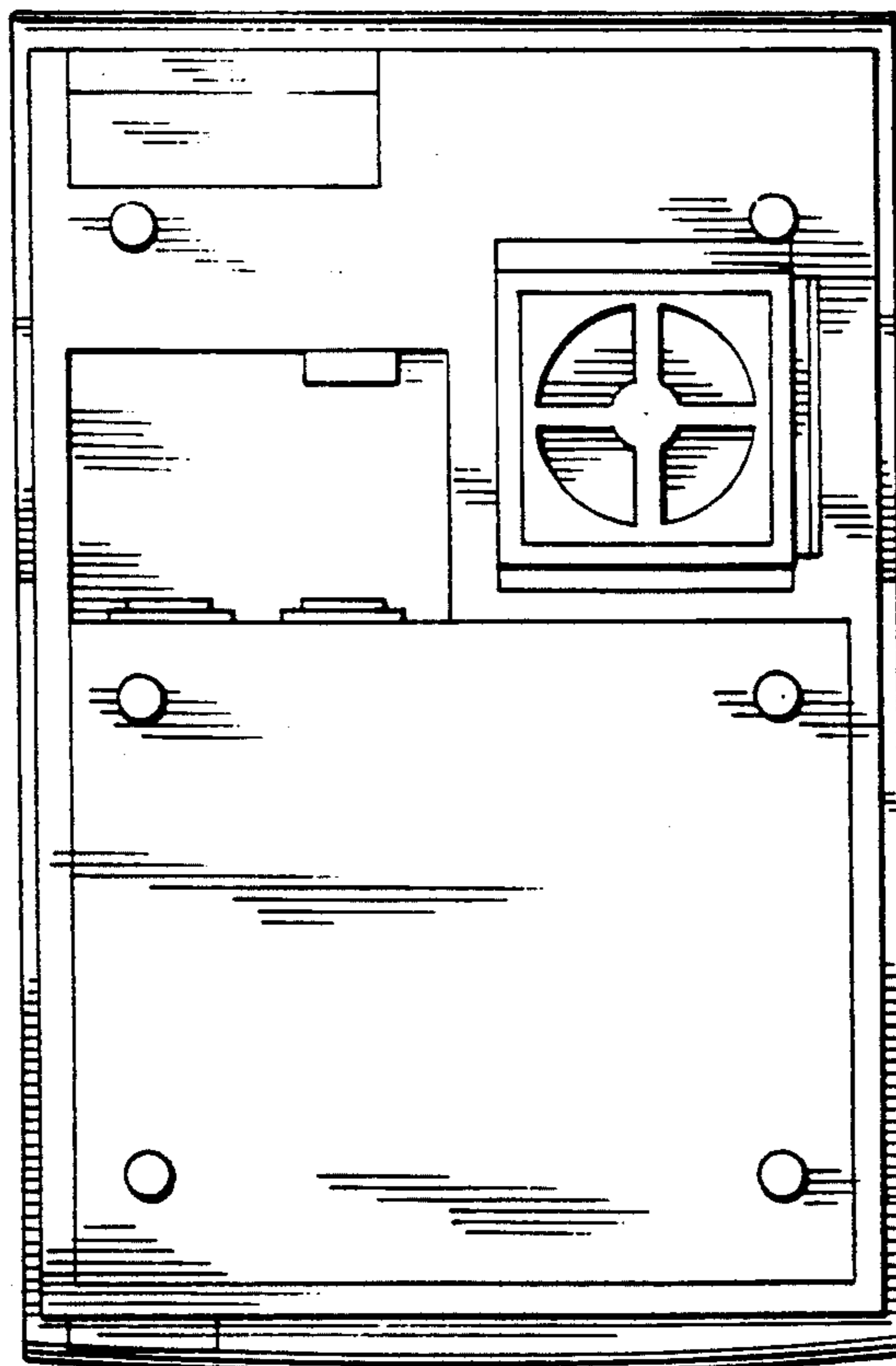


FIG. 6