



US00D333670S

United States Patent [19]

[11] Patent Number: **Des. 333,670**

Douglas

[45] Date of Patent: **** Mar. 2, 1993**

[54] **FOLDABLE PHOTOGRAPHIC CAMERA**

4,723,140 2/1988 Whiteside et al. 354/154
4,764,782 8/1988 Wheeler 354/126

[75] Inventor: **Lawrence M. Douglas**, South Easton, Mass.

OTHER PUBLICATIONS

Popular Photography, Sep. 1988, p. 28, (Polaroid Impulse AF).

[73] Assignee: **Polaroid Corporation**, Cambridge, Mass.

Primary Examiner—Bernard Ansher
Assistant Examiner—Adir Aronovich
Attorney, Agent, or Firm—Alfred E. Corrigan

[**] Term: **14 Years**

[21] Appl. No.: **577,590**

[57] CLAIM

[22] Filed: **Sep. 4, 1990**

The ornamental design for a foldable photographic camera, as shown and described.

[52] U.S. Cl. **D16/211; D16/209**

[58] Field of Search D16/200, 208, 209, 211, D16/212, 213, 216-218; 354/126, 149.11, 187, 288, 295, 154

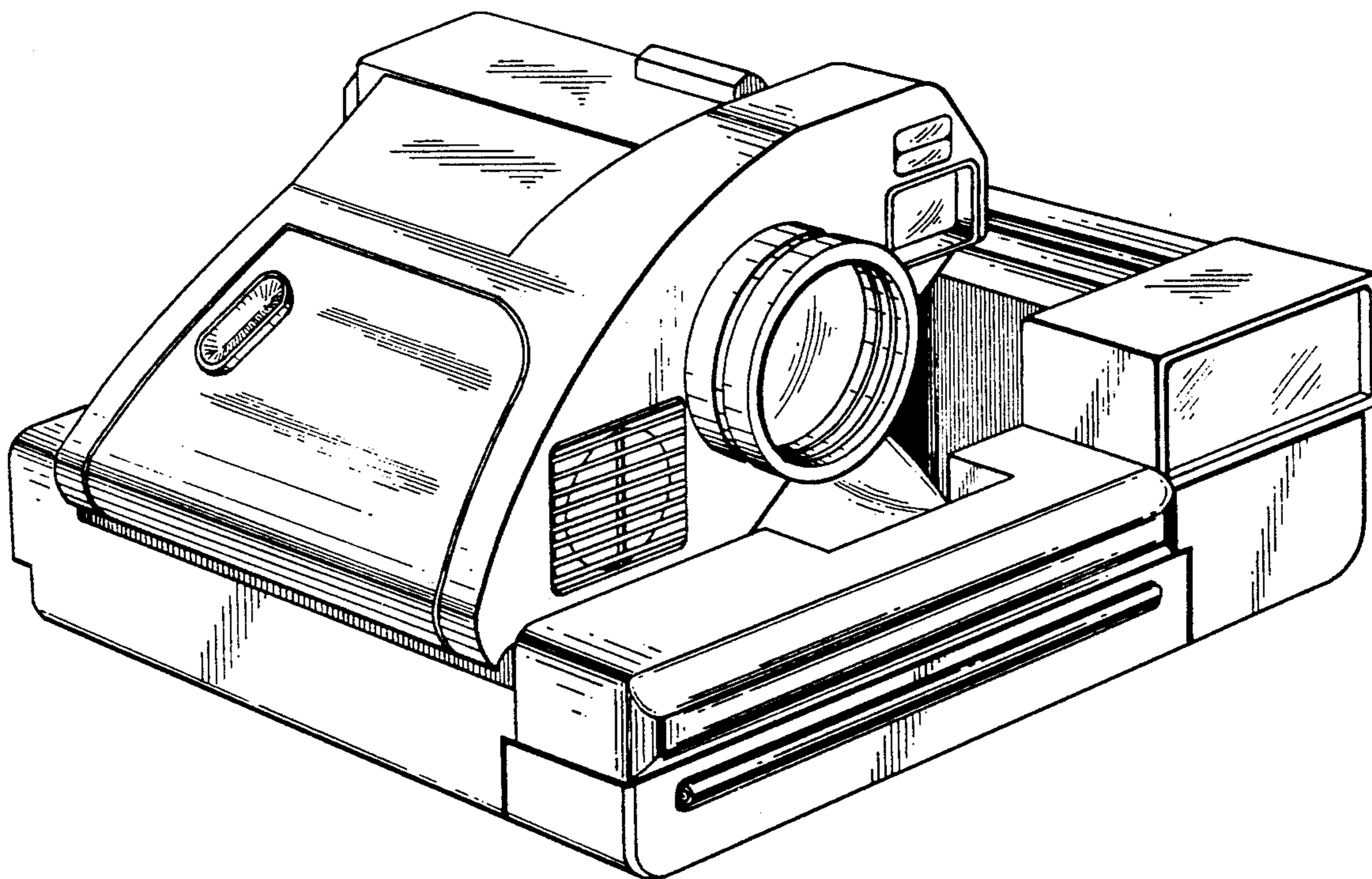
DESCRIPTION

[56] References Cited

U.S. PATENT DOCUMENTS

D. 279,574	7/1985	Conner et al.	D16/211
D. 315,569	3/1991	Betts et al.	D16/211
D. 320,029	9/1991	Betts	D16/211
4,542,967	9/1985	Costa et al.	354/187
4,545,661	10/1985	Hamaguchi et al.	354/187

FIG. 1 is a top, front and left perspective view of a foldable photographic camera showing my new design in an open position;
FIG. 2 is a front elevational view thereof;
FIG. 3 is a rear elevational view thereof;
FIG. 4 is a left side elevational view thereof;
FIG. 5 is a right side elevational view thereof;
FIG. 6 is a top plan view thereof; and,
FIG. 7 is a bottom plan view thereof.



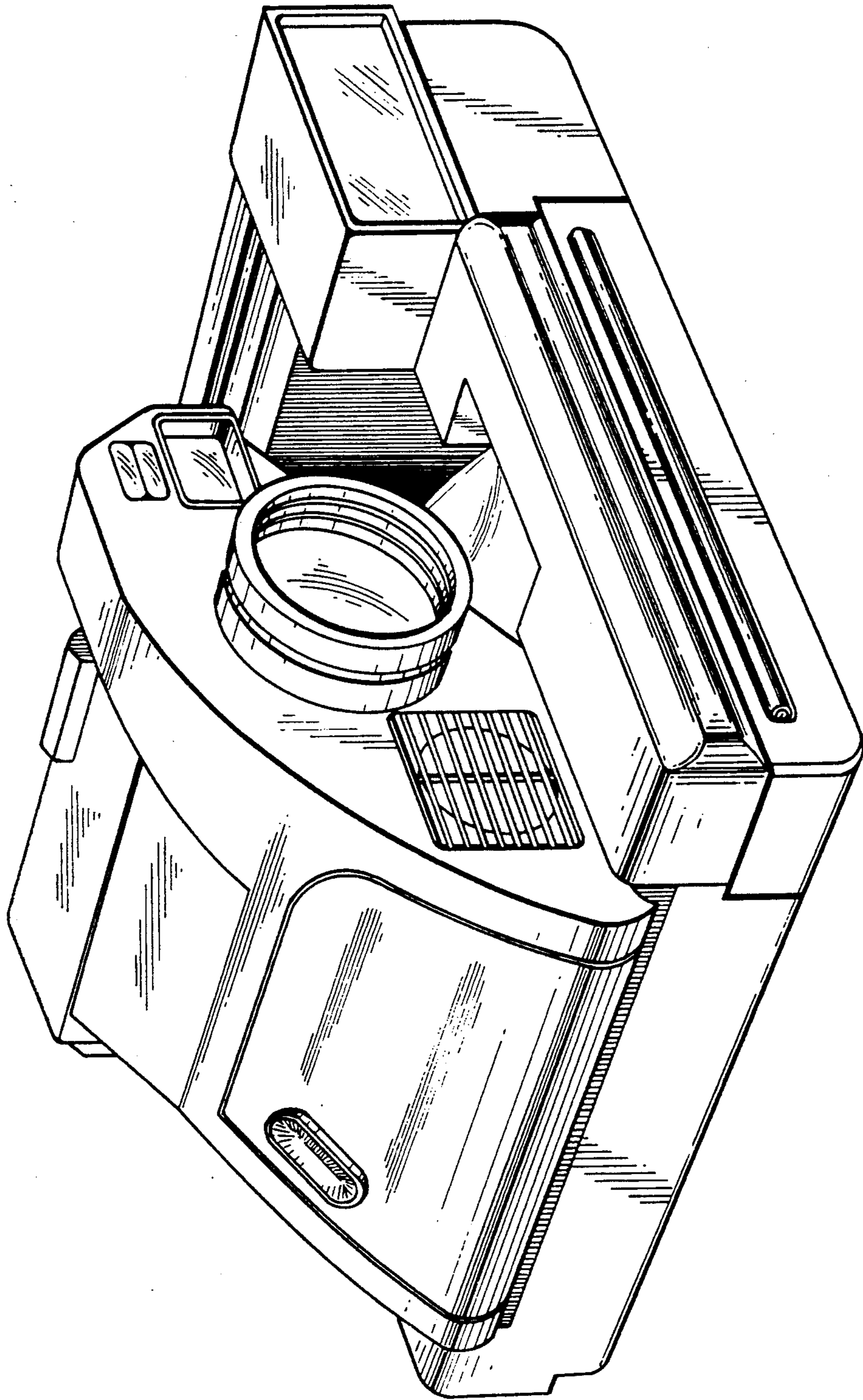


FIG. 1

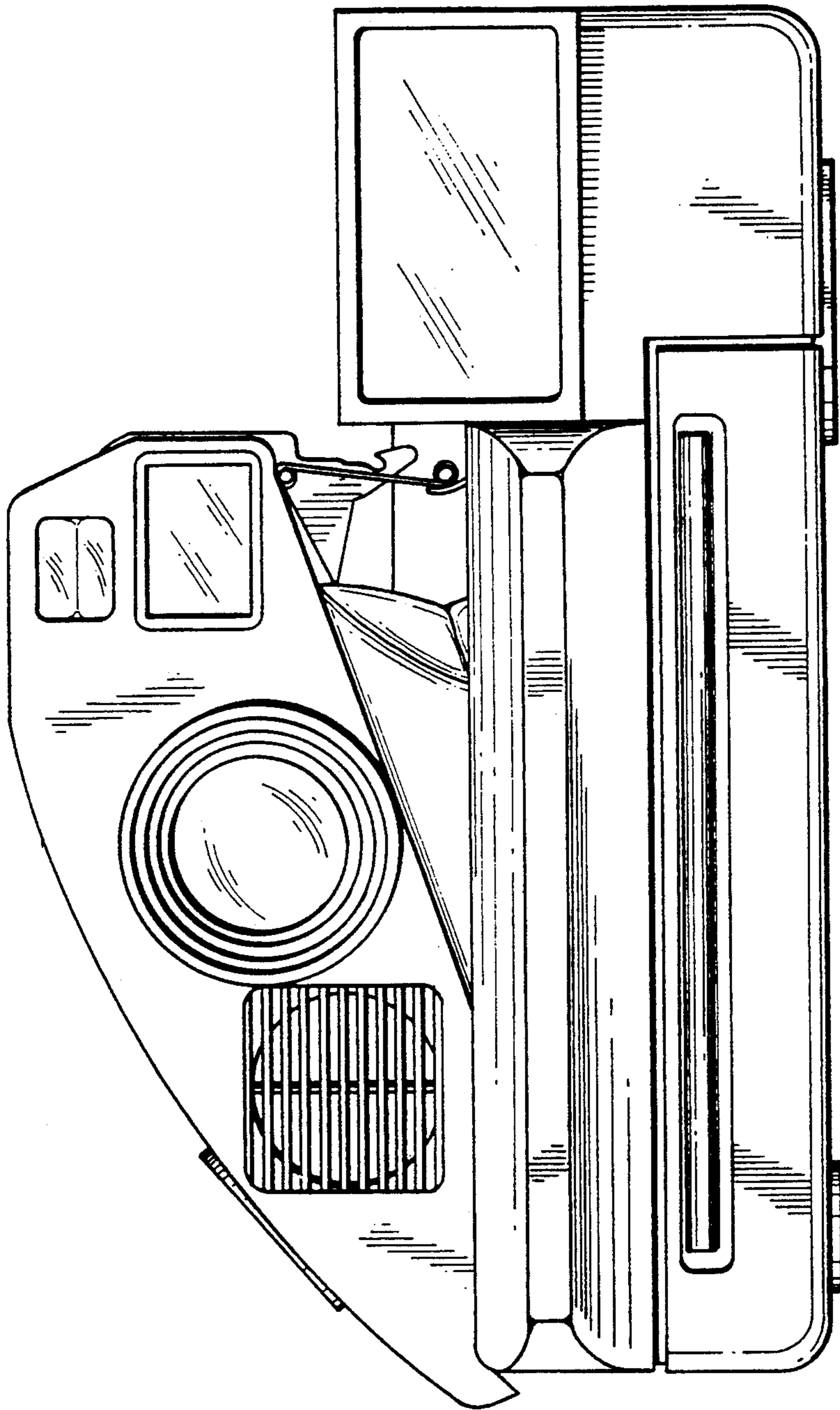


FIG. 2

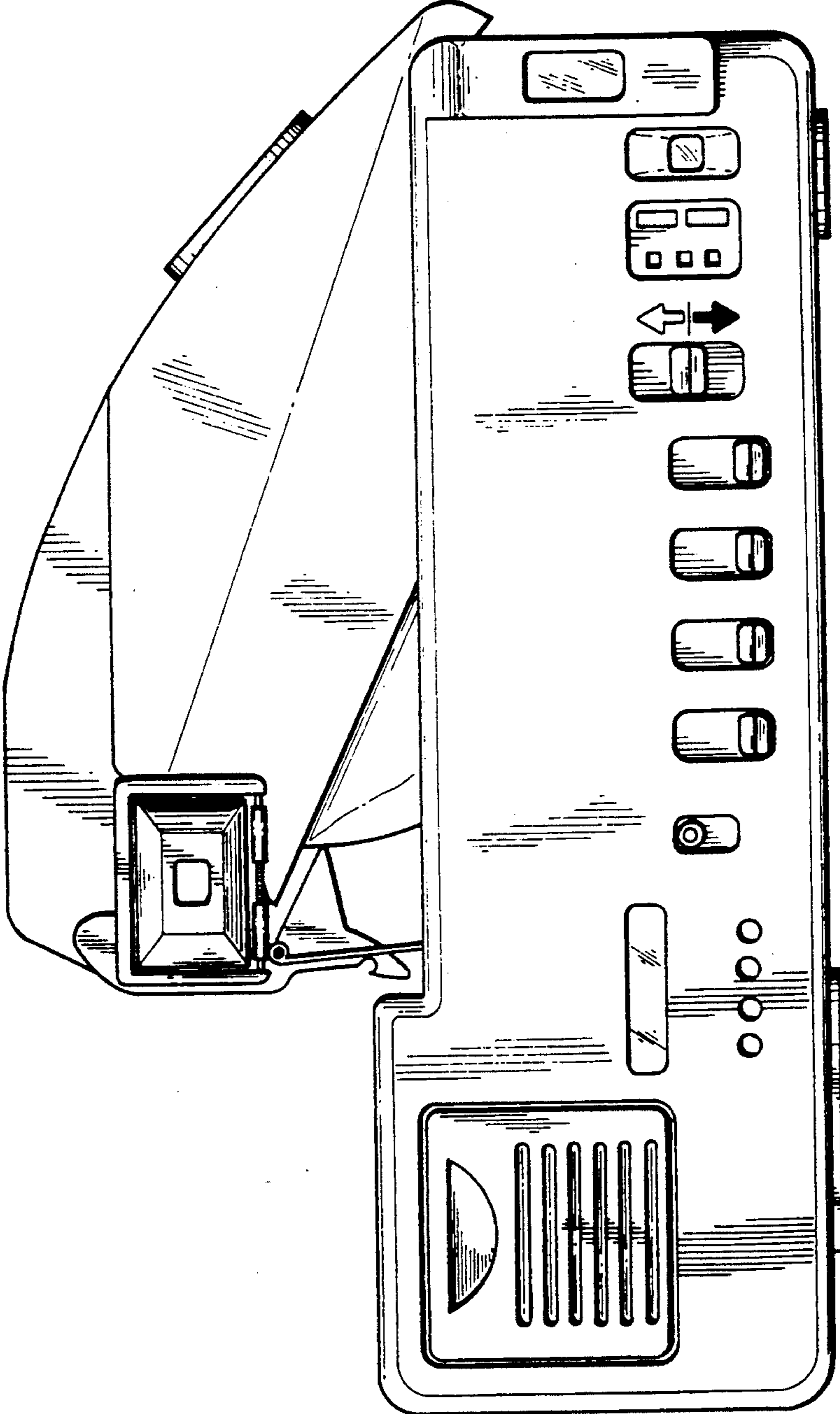


FIG. 3

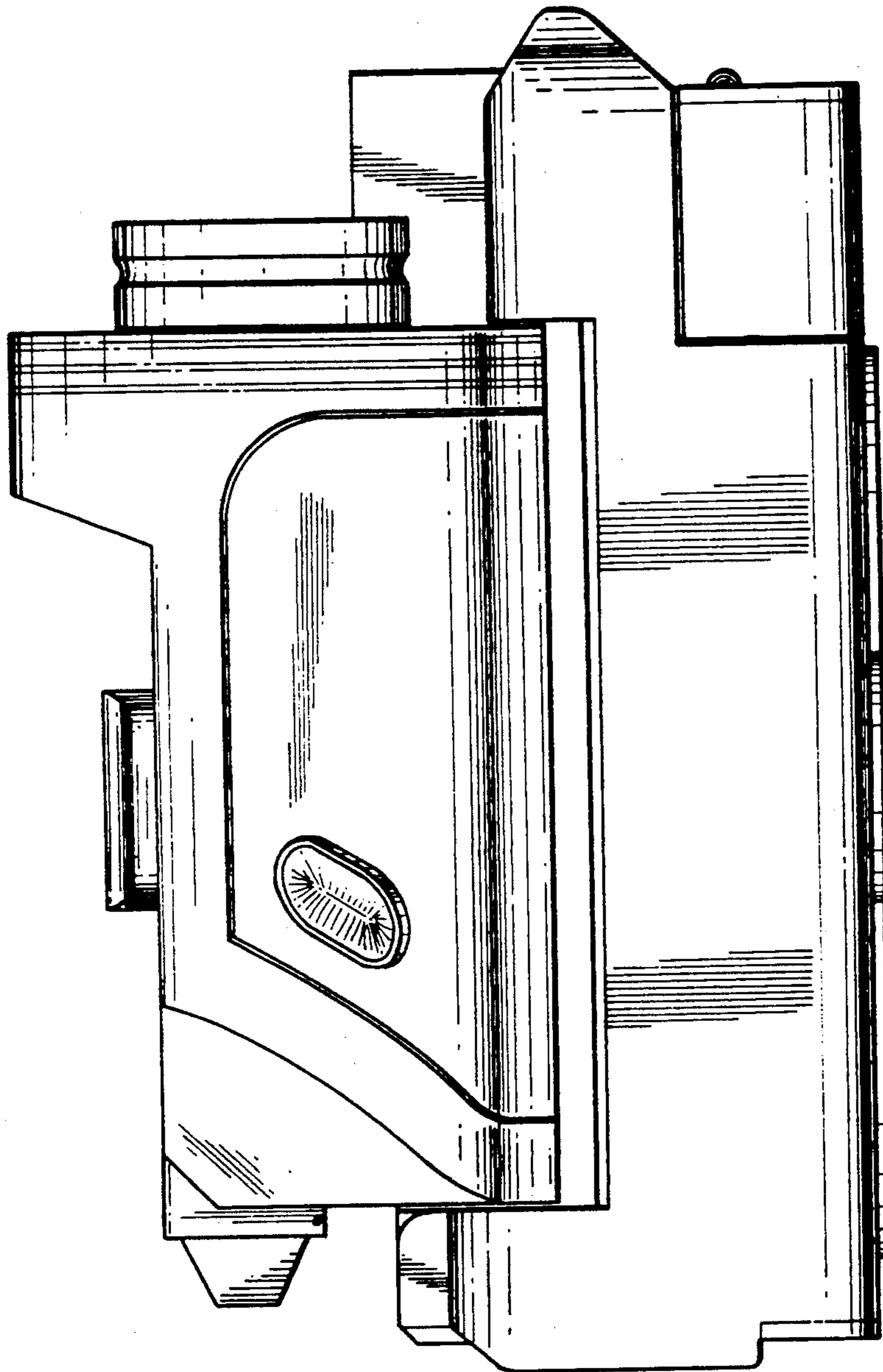


FIG. 4

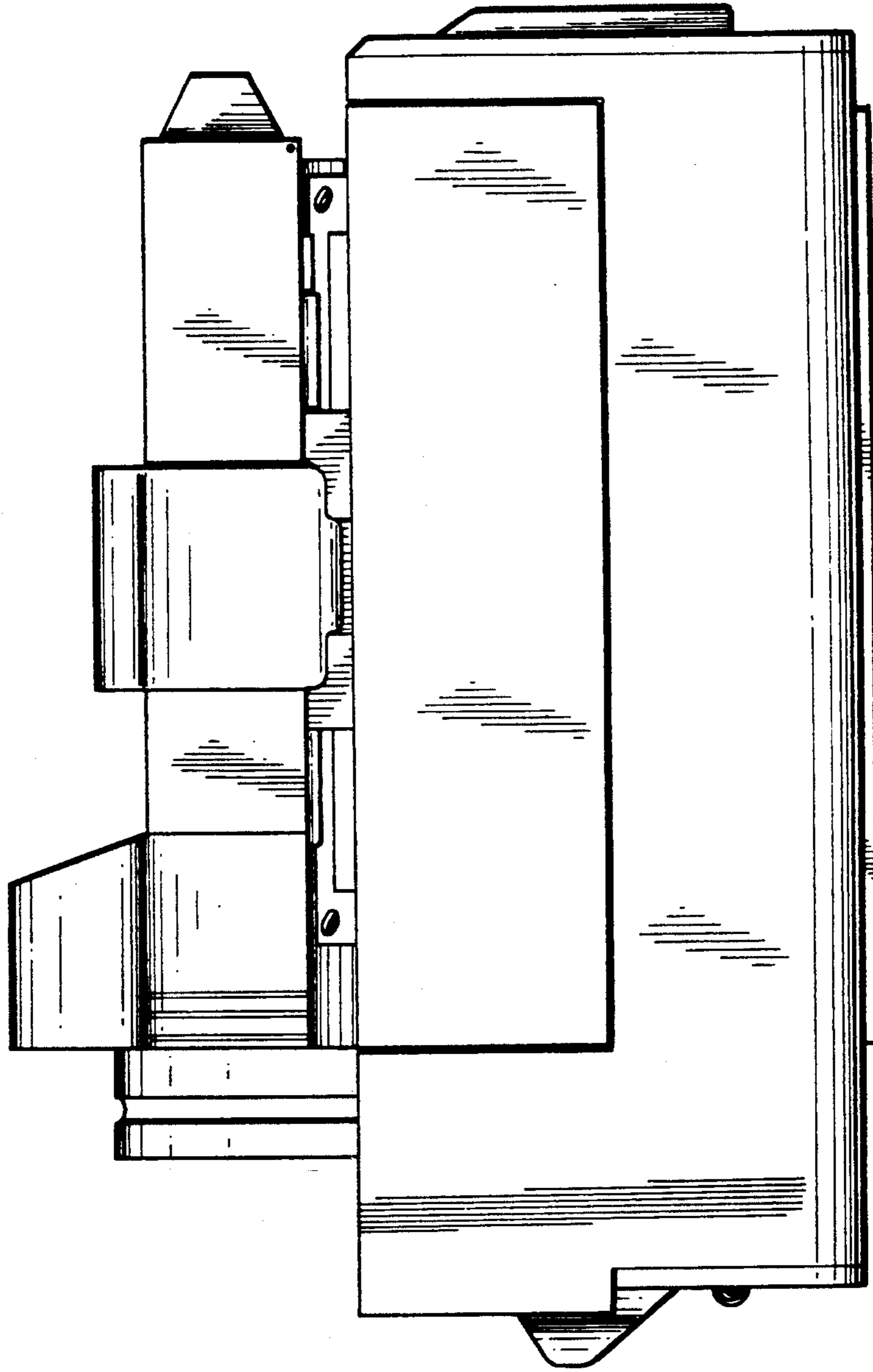


FIG. 5

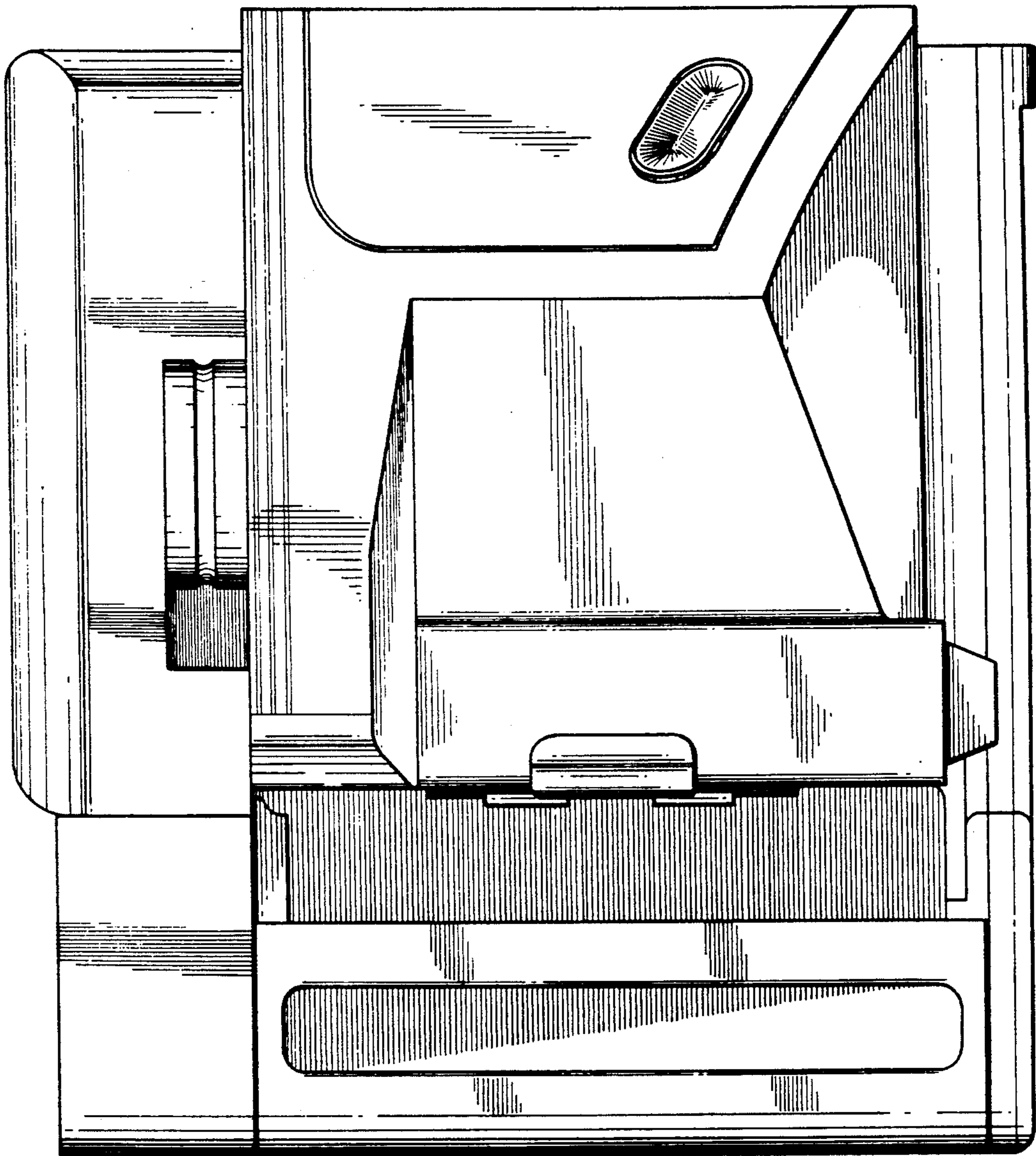


FIG. 6

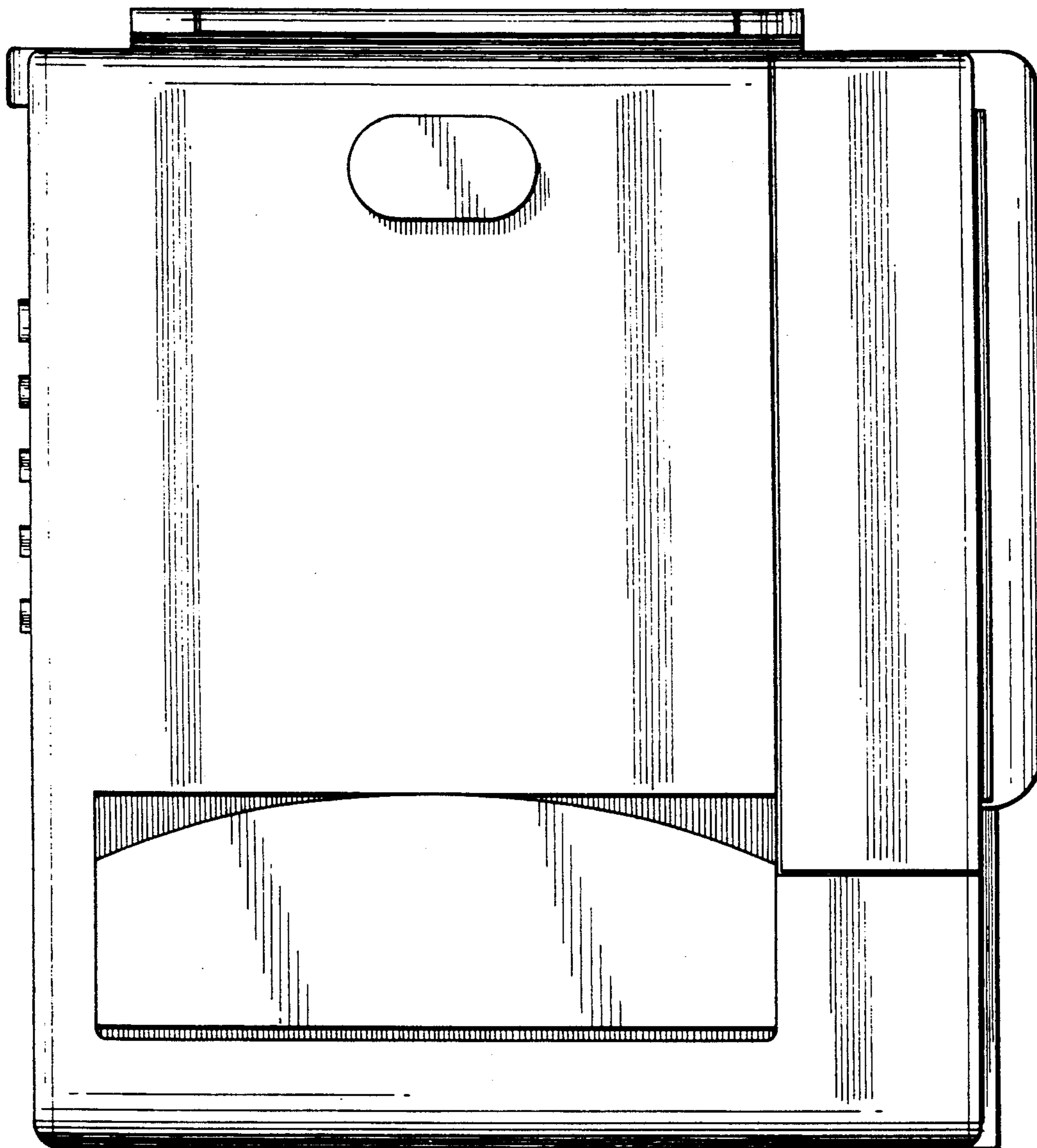


FIG. 7