



US00D333667S

United States Patent [19]

Yun

[11] Patent Number: **Des. 333,667**

[45] Date of Patent: **** Mar. 2, 1993**

[54] **DYEING MACHINE**

[76] Inventor: **Liu C. Yun**, P.O. Box 82-144, Taipei, Taiwan

[**] Term: **14 Years**

[21] Appl. No.: **652,287**

[22] Filed: **Feb. 6, 1991**

[52] U.S. Cl. **D15/199**

[58] Field of Search **D15/199; D32/15; 68/12.07, 13 R, 16, 207**

[56] **References Cited**

U.S. PATENT DOCUMENTS

2,225,350	12/1940	Rankin	68/12.07	X
3,919,864	11/1975	Pellerin	68/16	X
4,080,165	3/1978	Thompson	68/16	X

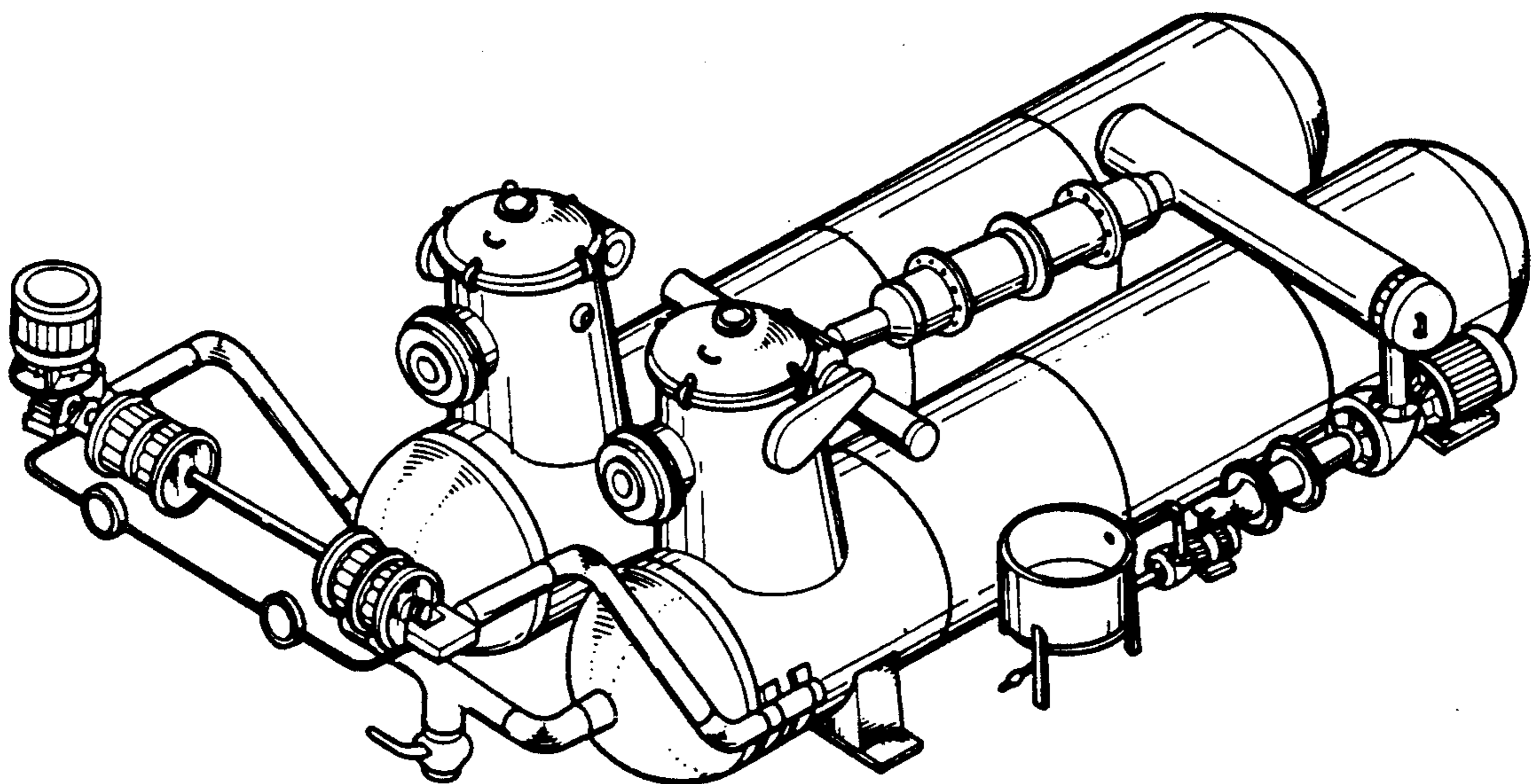
Primary Examiner—Alan P. Douglas
Assistant Examiner—Antoine D. Davis
Attorney, Agent, or Firm—Alfred Lei

[57] **CLAIM**

The ornamental design for a dyeing machine, as shown and described.

DESCRIPTION

FIG. 1 is a perspective view of a dyeing machine showing my new design;
FIG. 2 is a front elevational view thereof;
FIG. 3 is a rear elevational view thereof;
FIG. 4 is a right side elevational view thereof;
FIG. 5 is a left side elevational view thereof;
FIG. 6 is a top plan view thereof; and,
FIG. 7 is a bottom plan view thereof.



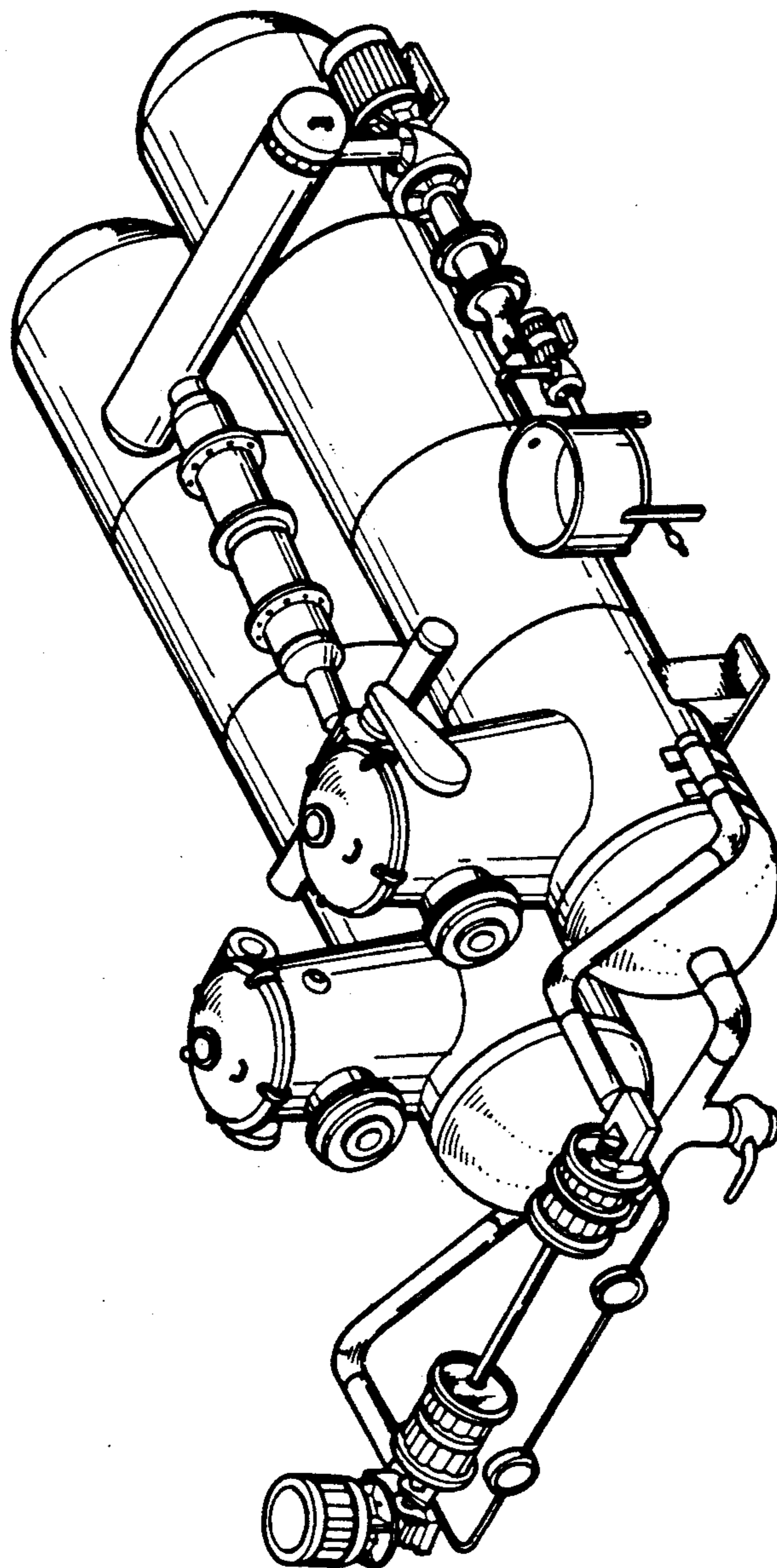


FIG. 1

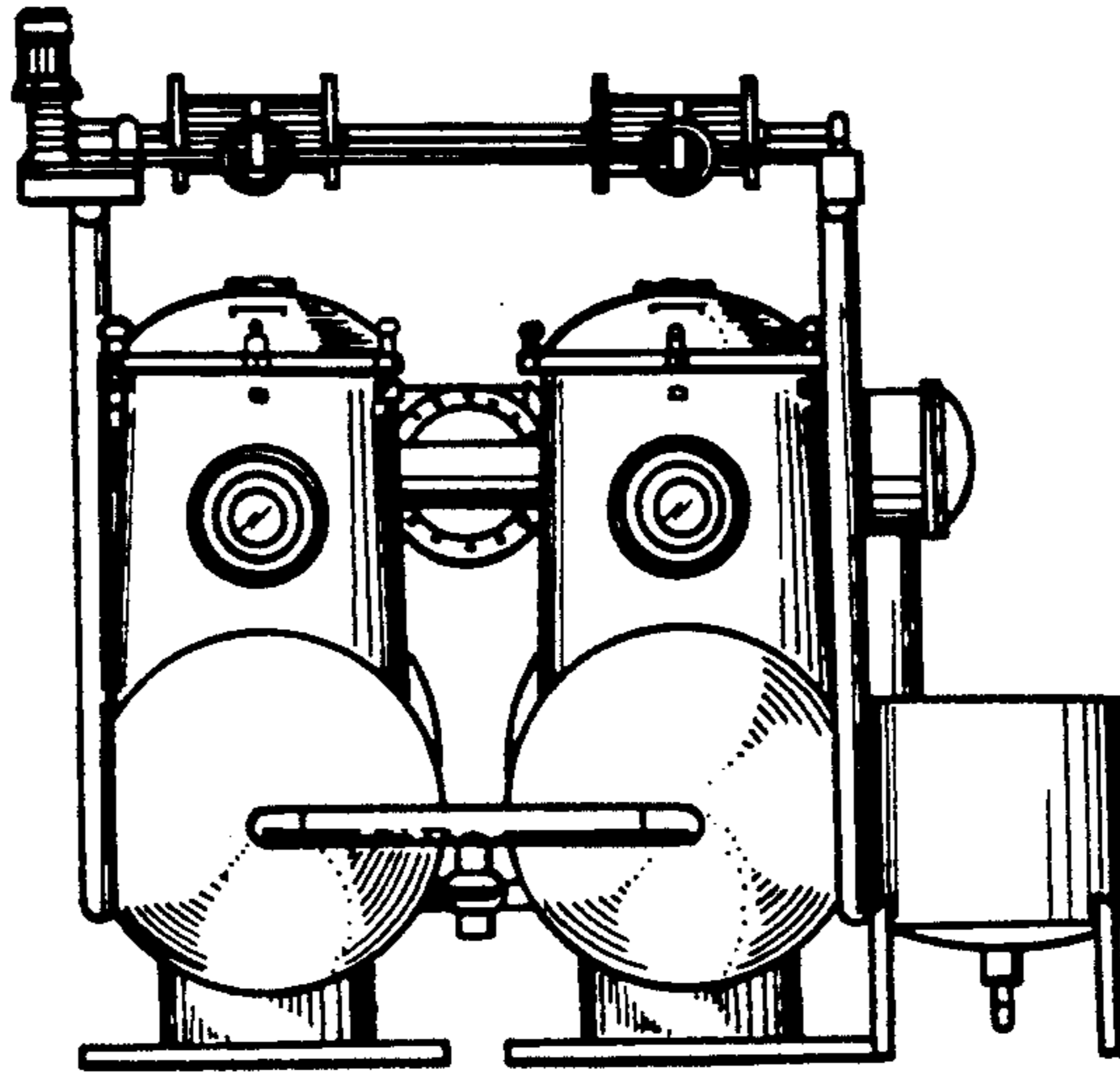


FIG. 2

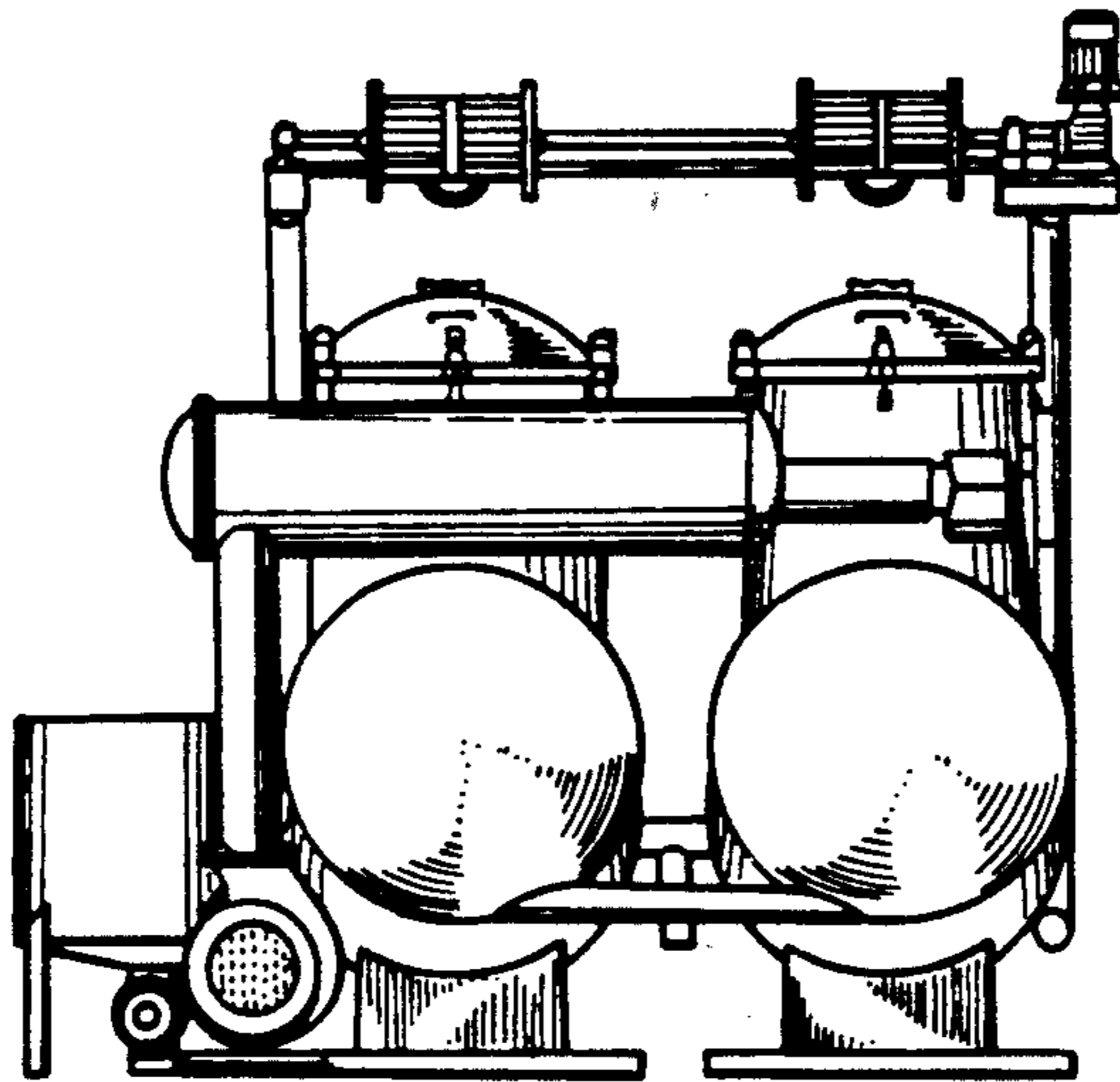


FIG. 3

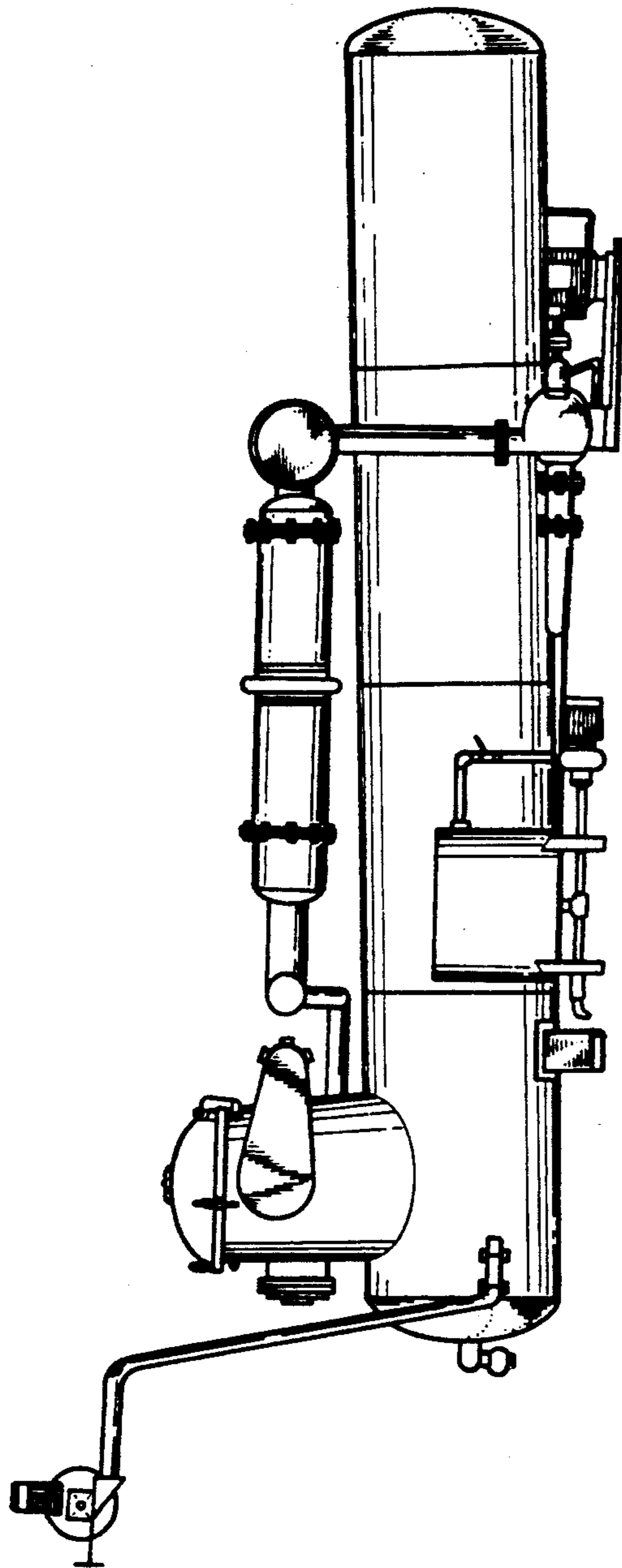


FIG. 4

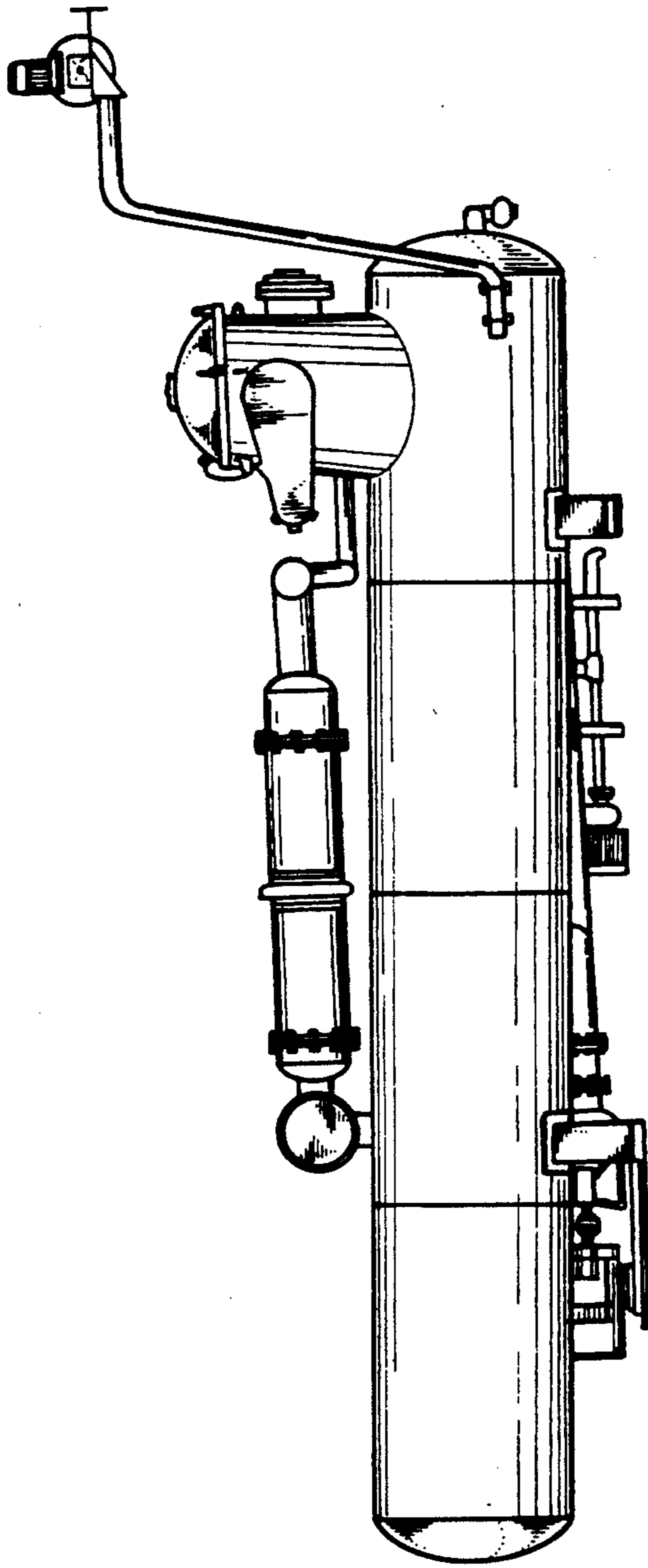


FIG. 5

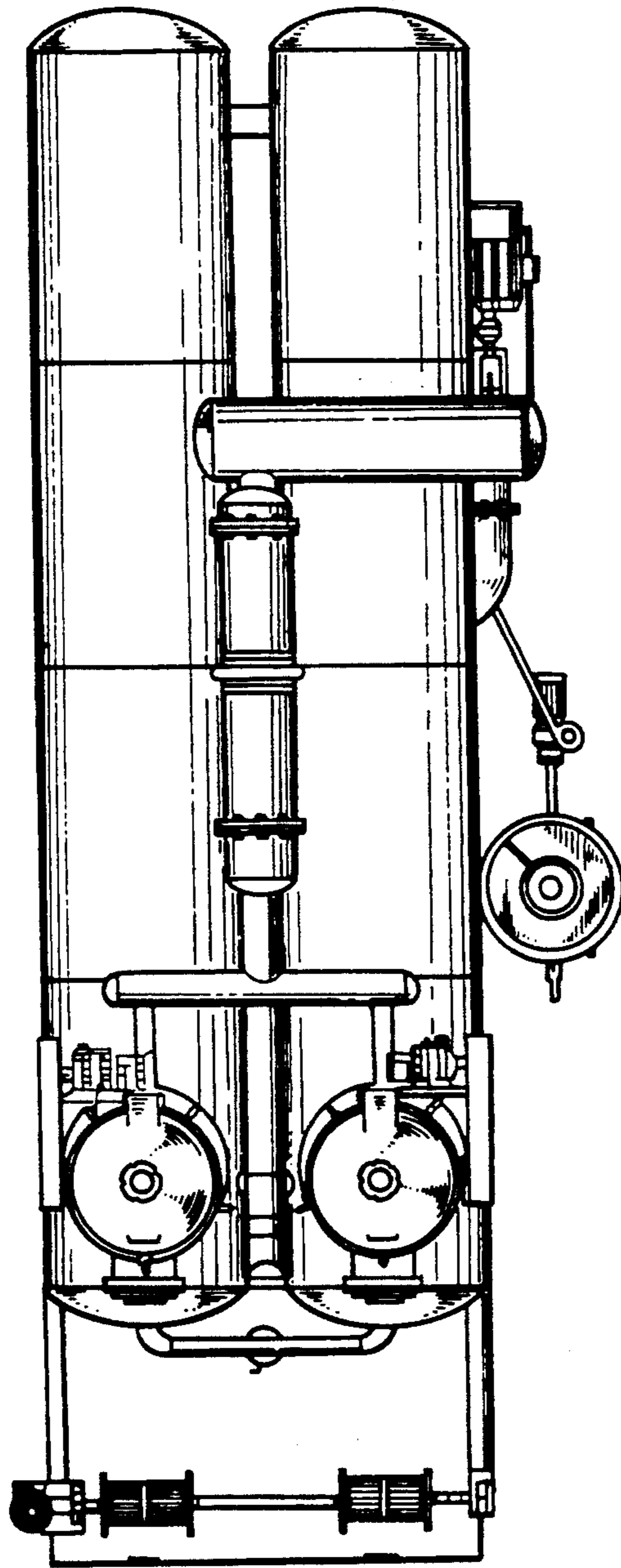


FIG. 6

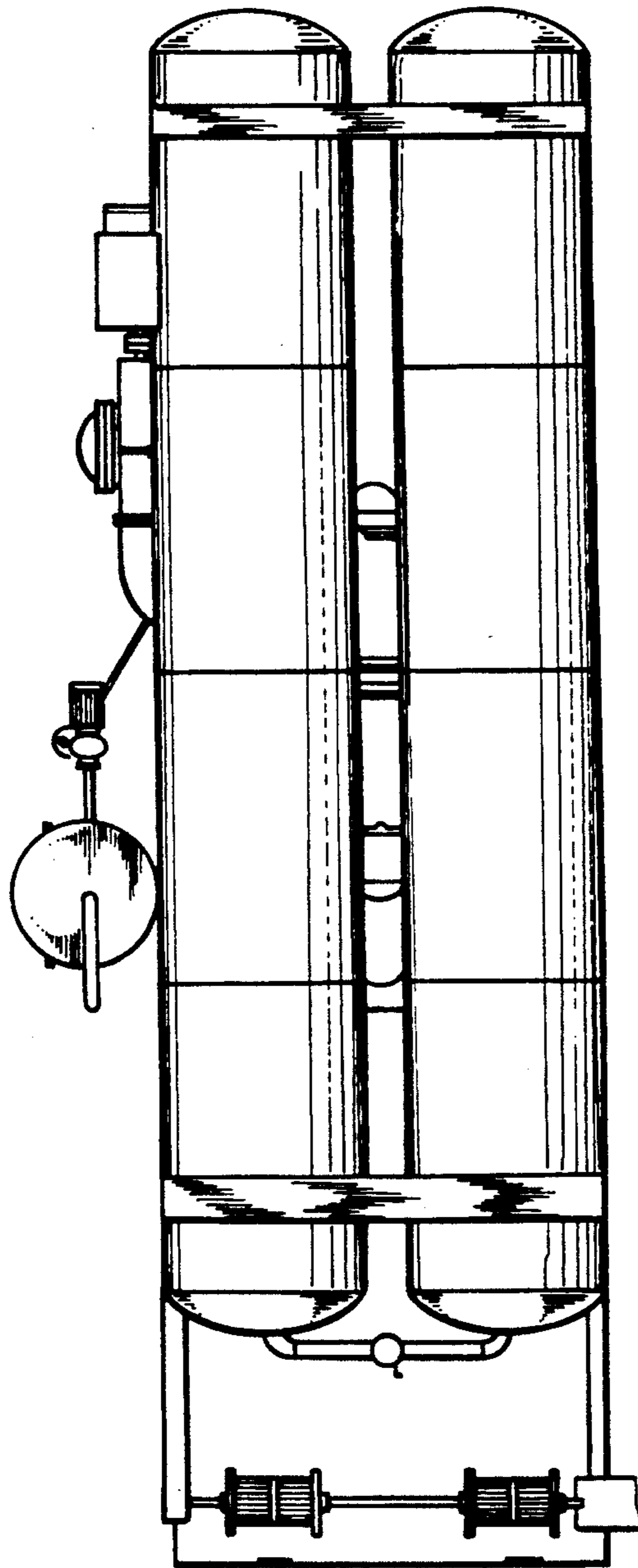


FIG. 7