



US00D333665S

United States Patent [19]
Bruns

[11] **Patent Number: Des. 333,665**

[45] **Date of Patent: ** Mar. 2, 1993**

- [54] **COMBINE HEADER SHIELD**
- [75] **Inventor: Wesley W. Bruns, Gibbon, Minn.**
- [73] **Assignee: May-Wes Manufacturing, Inc., Gibbon, Minn.**
- [**] **Term: 14 Years**
- [21] **Appl. No.: 502,757**
- [22] **Filed: Apr. 2, 1990**
- [52] **U.S. Cl. D15/28**
- [58] **Field of Search D15/11, 28, 22, 25, D15/26, 32, 199; 56/14.4, 158, 160; 410/2, 156**

- 3,866,400 2/1975 May .
- 3,896,610 7/1975 Hiniker .
- 4,198,803 4/1980 Quick et al. .
- 4,891,932 1/1990 Johnson .

Primary Examiner—Alan P. Douglas
Assistant Examiner—Antoine D. Davis
Attorney, Agent, or Firm—Burd, Bartz & Gutenkauf

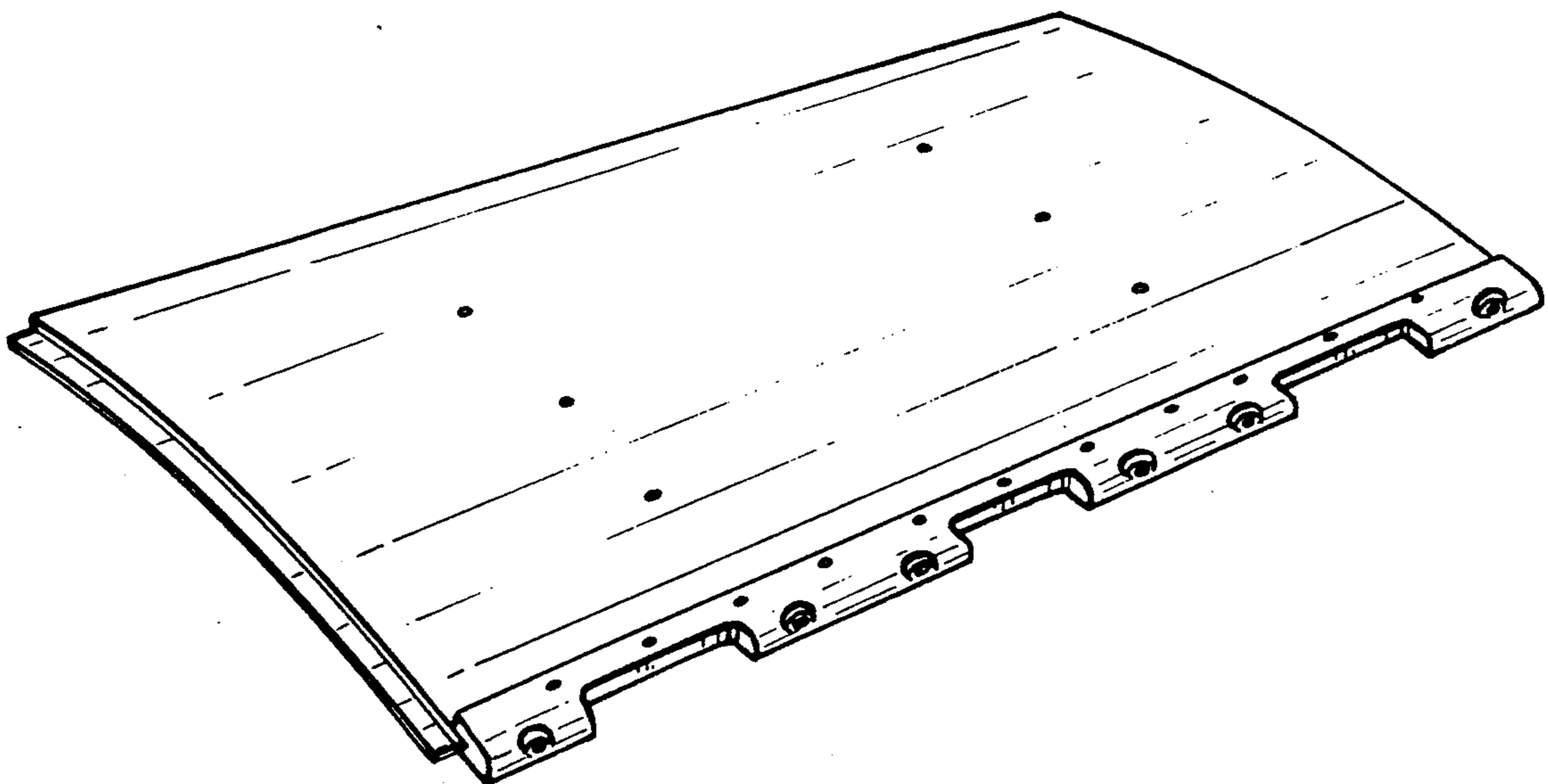
[57] **CLAIM**

The ornamental design for a combine header shield, as shown and described.

DESCRIPTION

FIG. 1 is a perspective view of a combine header shield showing my new design;
 FIG. 2 is a top plan view thereof;
 FIG. 3 is a front elevational view thereof;
 FIG. 4 is a rear elevational view thereof;
 FIG. 5 is a bottom plan view thereof;
 FIG. 6 is a right side elevational view thereof; and,
 FIG. 7 is a left side elevational view thereof.

- [56] **References Cited**
- U.S. PATENT DOCUMENTS**
- D. 240,846 8/1976 Andersson D15/28 X
- D. 277,860 5/1985 Hellden D15/11
- 2,836,027 5/1958 Pearson .
- 3,813,859 6/1974 Fuller et al. .



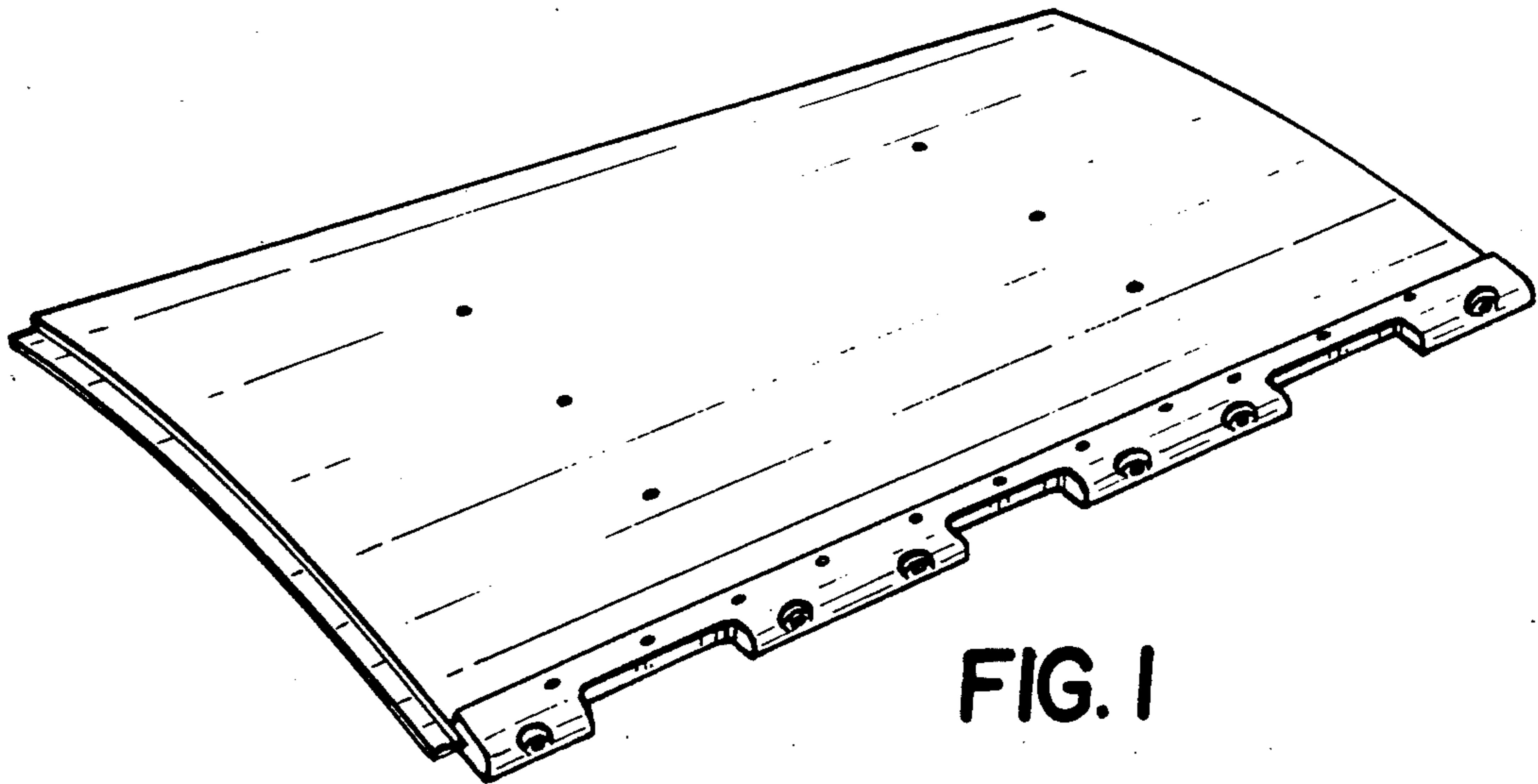


FIG. 1

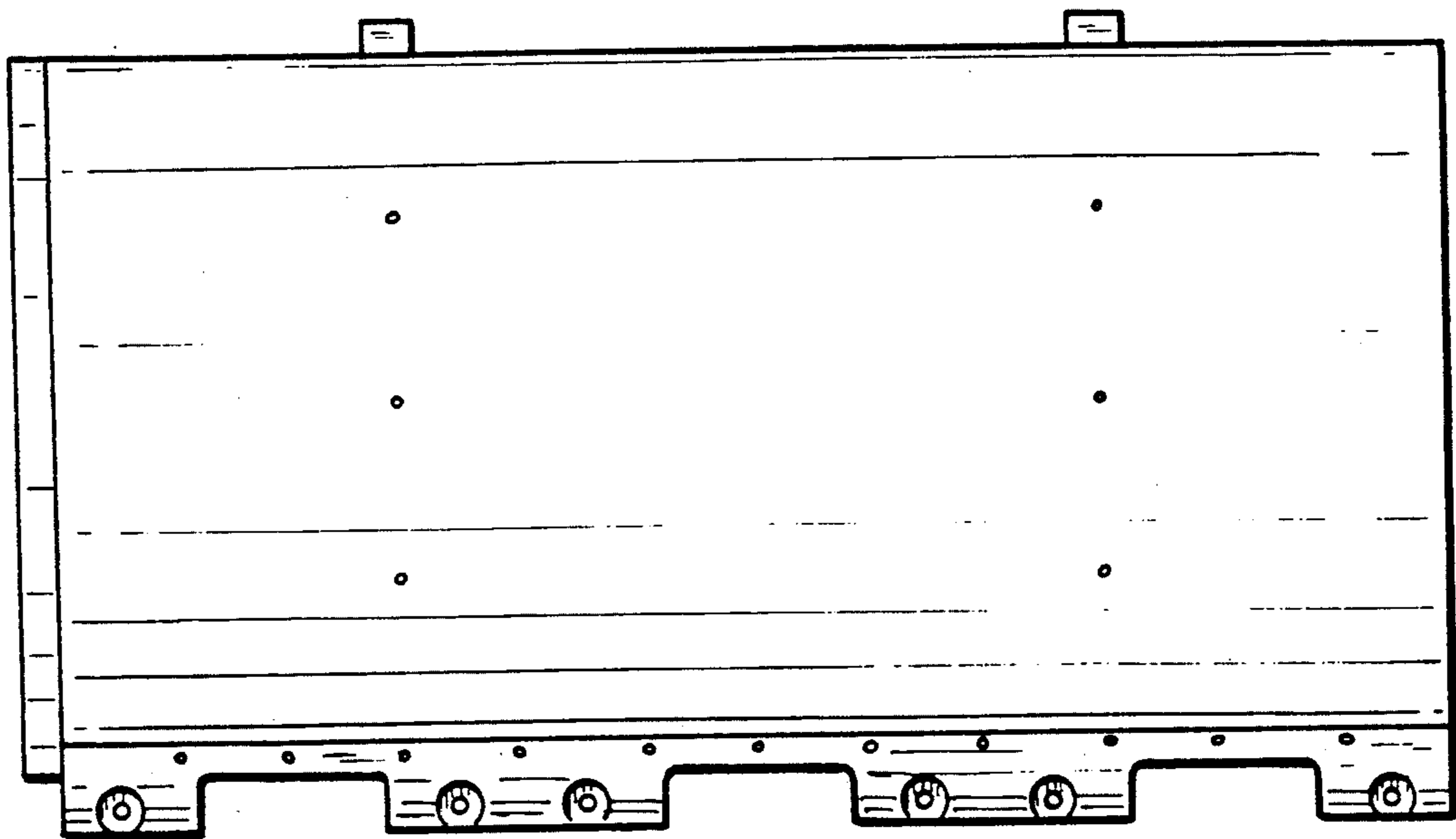


FIG. 2



FIG. 3

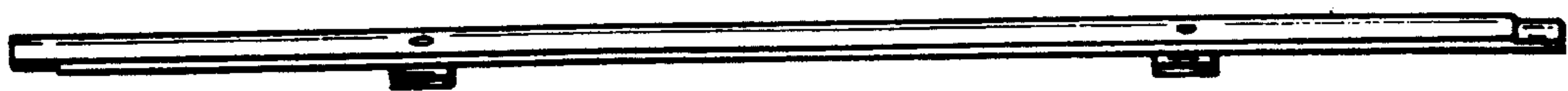


FIG. 4

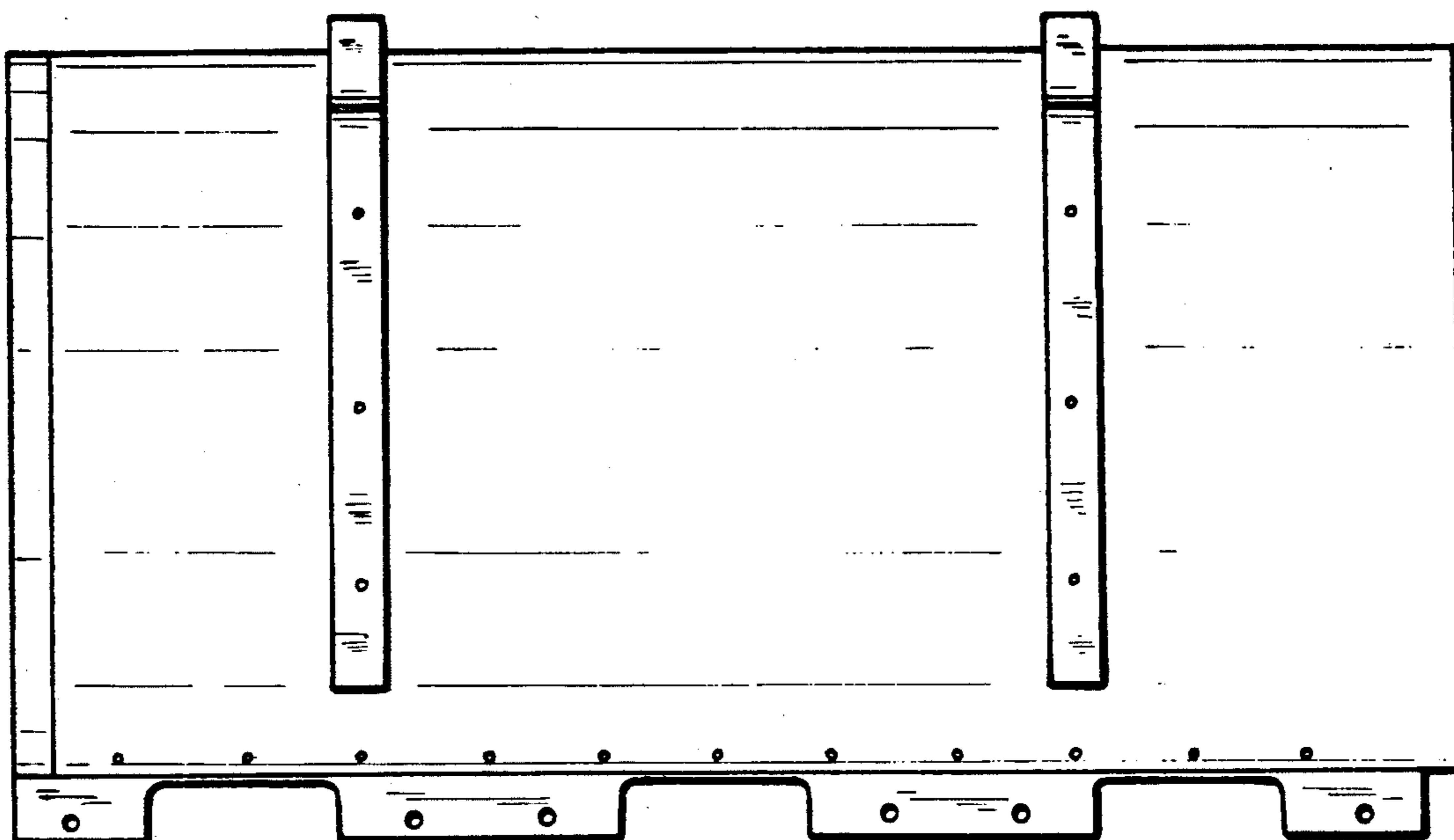


FIG. 5



FIG. 6



FIG. 7