



US00D333651S

United States Patent [19]

[11] Patent Number: **Des. 333,651**

Itou et al.

[45] Date of Patent: **** Mar. 2, 1993**

[54] **BATTERY CHARGER FOR A FACSIMILE TRANSMITTER AND RECEIVER**

D. 303,765 10/1989 Kaplan D9/423
3,023,923 3/1962 Geib et al. D9/423 X

[75] Inventors: **Akihide Itou; Isato Murakawa; Hideji Takemasa**, all of Tokyo, Japan

Primary Examiner—Wallace R. Burke
Assistant Examiner—Joel Sincavage
Attorney, Agent, or Firm—Sughrue, Mion, Zinn, Macpeak & Seas

[73] Assignee: **NEC Corporation**, Tokyo, Japan

[**] Term: **14 Years**

[57] **CLAIM**

[21] Appl. No.: **789,476**

The ornamental design for a battery charger for a facsimile transmitter and receiver, as shown.

[22] Filed: **Nov. 8, 1991**

DESCRIPTION

[30] **Foreign Application Priority Data**

May 9, 1991 [JP] Japan 3-13601

FIG. 1 is a front elevational view of a battery charger for a facsimile transmitter and receiver showing our new design;

[52] U.S. Cl. **D13/108**

FIG. 2 is a top plan view thereof;

[58] Field of Search D13/107, 108; D14/240, D14/118; 320/2, 3, 4, 5; D9/423; D3/78

FIG. 3 is a bottom plan view thereof;

FIG. 4 is a rear elevational view thereof;

[56] **References Cited**

U.S. PATENT DOCUMENTS

D. 288,432 2/1987 Nagele D13/107

FIG. 5 is a right side elevational view thereof;

FIG. 6 is a left side elevational view thereof; and,

FIG. 7 is a front, top and left side perspective view thereof.

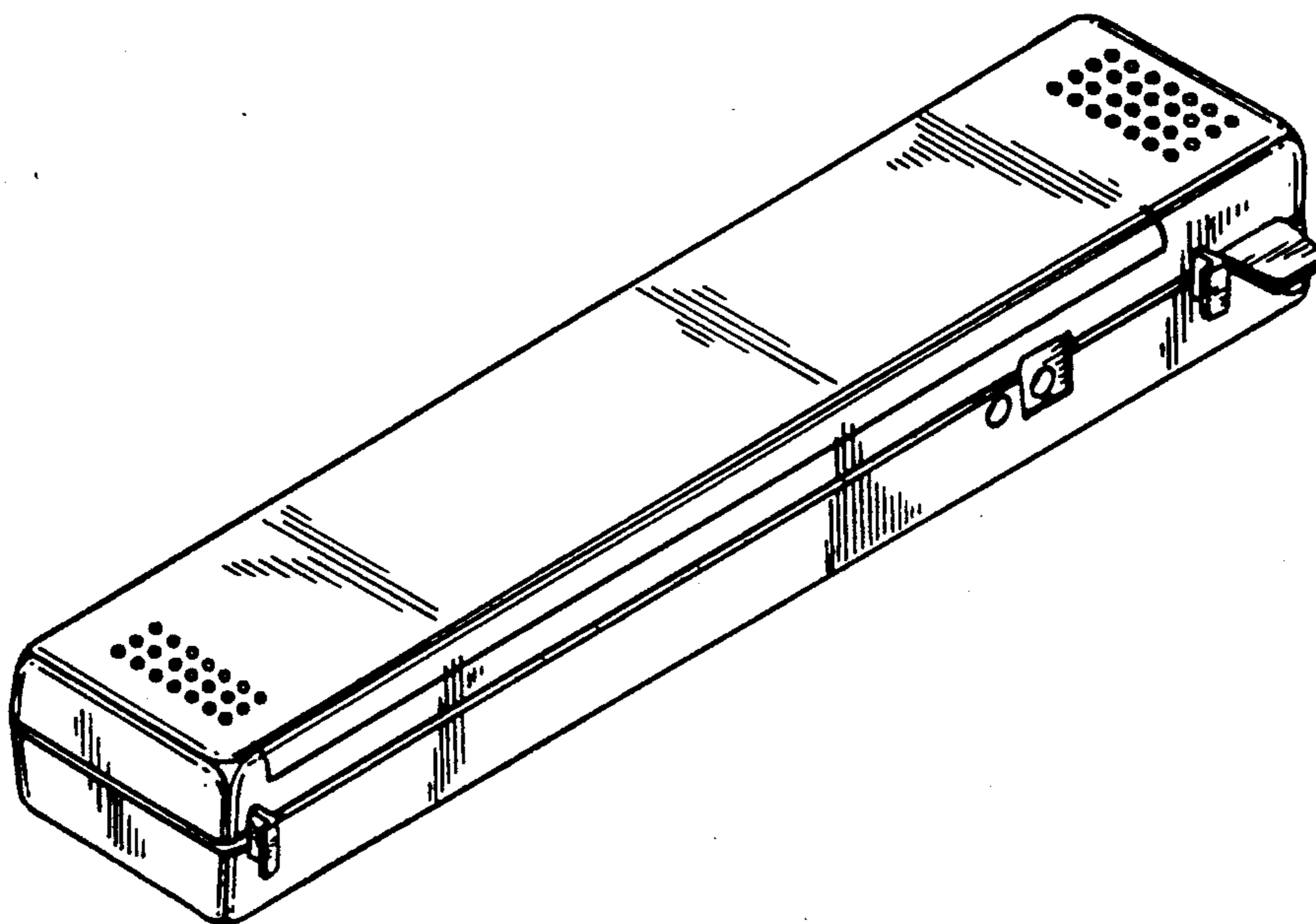


FIG. 1

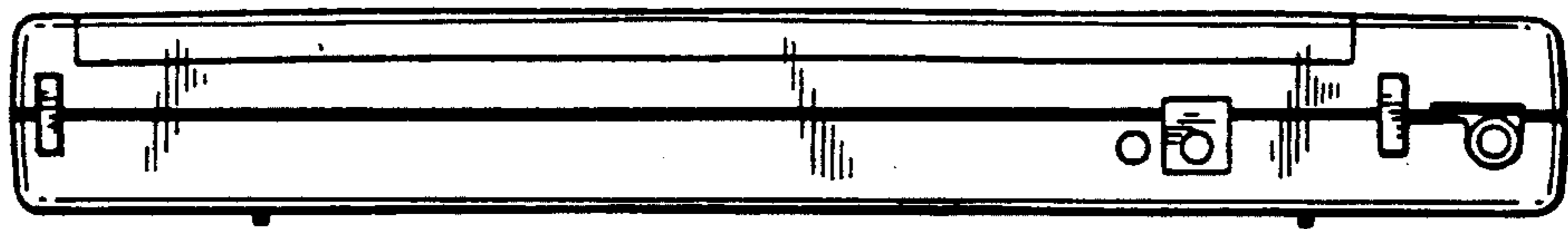


FIG. 2

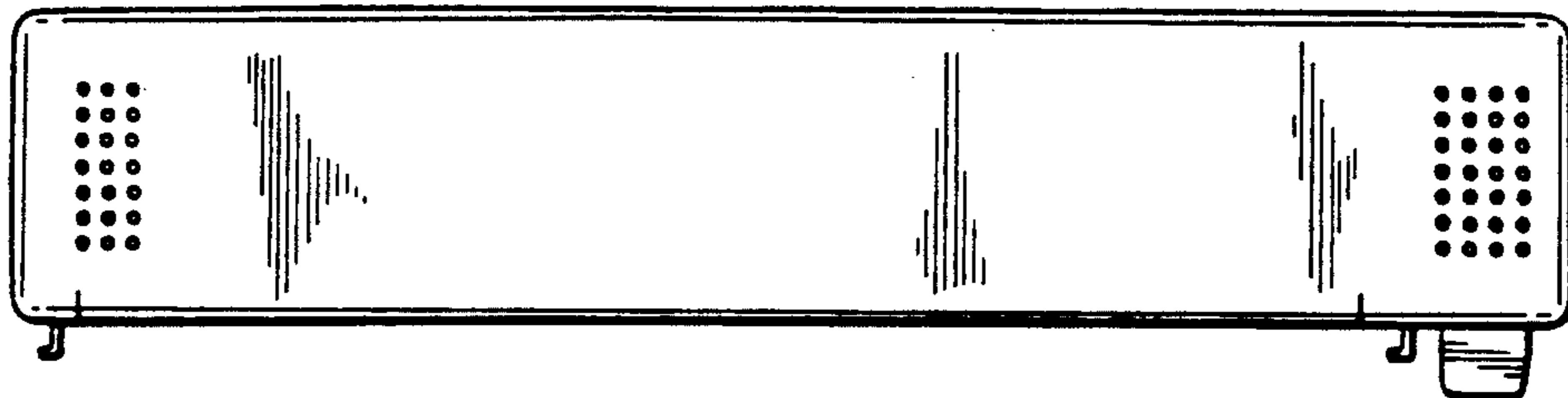


FIG. 3

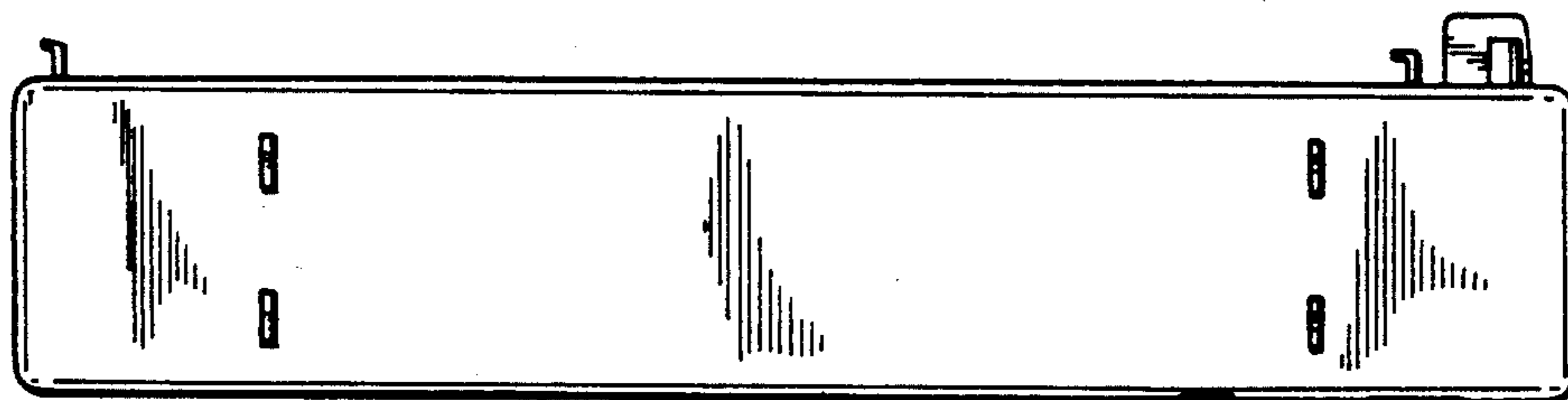


FIG. 4

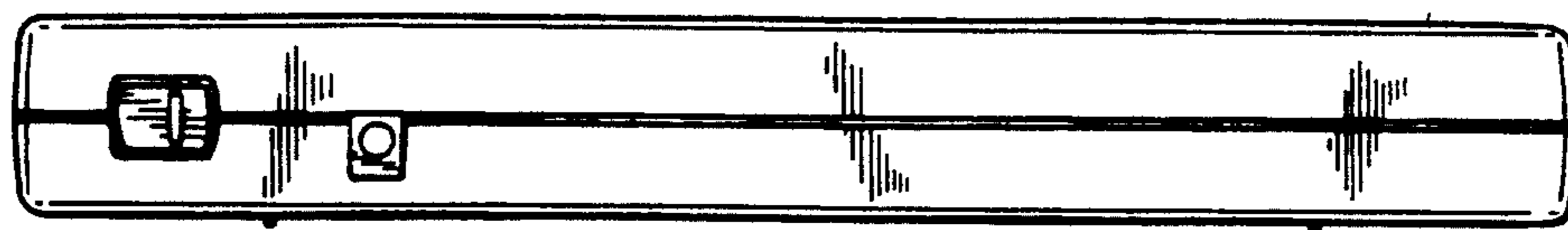


FIG. 5

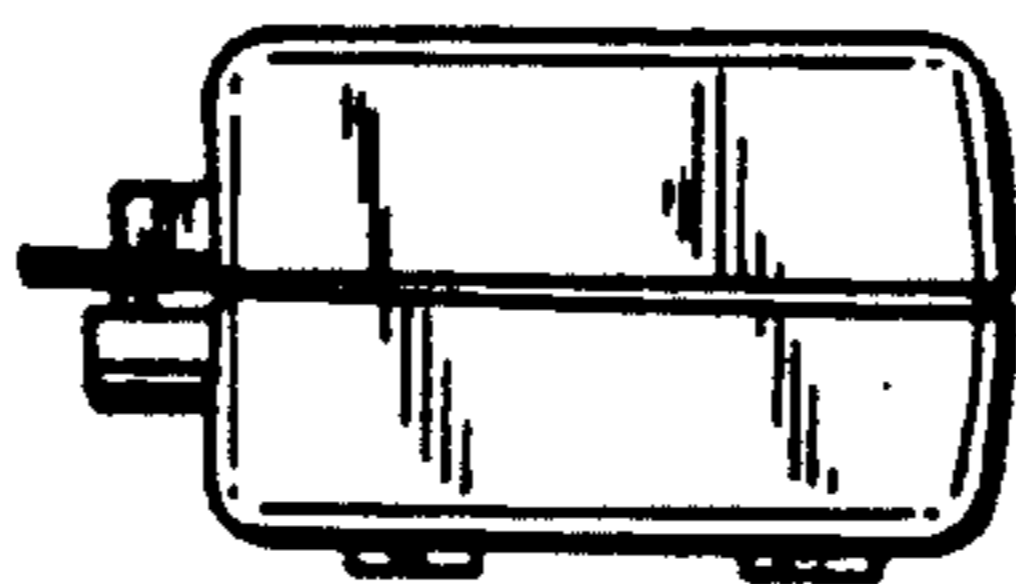


FIG. 6



FIG. 7

