



US00D333650S

United States Patent [19]

[11] Patent Number: **Des. 333,650**

Wallace-Morrison

[45] Date of Patent: **** Mar. 2, 1993**

[54] **ROTARY POWERED PARAPLANE**

[76] Inventor: **Copeland J. Wallace-Morrison, 712
Dorbett Pl., Plainfield, N.J. 07060**

[**] Term: **14 Years**

[21] Appl. No.: **665,715**

[22] Filed: **Mar. 7, 1991**

[52] U.S. Cl. **D12/327; D12/326**

[58] Field of Search **D12/327, 326;
244/17.11, 17.21, 17.19, 8**

[56] **References Cited**

U.S. PATENT DOCUMENTS

D. 232,183 7/1974 Reed D12/327
4,913,376 4/1990 Black 244/17.11

Primary Examiner—Kay H. Chin
Attorney, Agent, or Firm—Mathews, Woodbridge &
Collins

[57] **CLAIM**

The ornamental design for a rotary powered paraplane, as shown and described.

DESCRIPTION

FIG. 1 is a front and side perspective view of a rotary powered paraplane showing my new design; FIG. 2 is a right side elevational view thereof; FIG. 3 is a front elevational view thereof; FIG. 4 is a rear elevational view thereof; FIG. 5 is a top plan view thereof; FIG. 6 is another top plan view thereof, portion of disc structure shown cut away for clarity of illustration; and, FIG. 7 is a bottom plan view thereof.

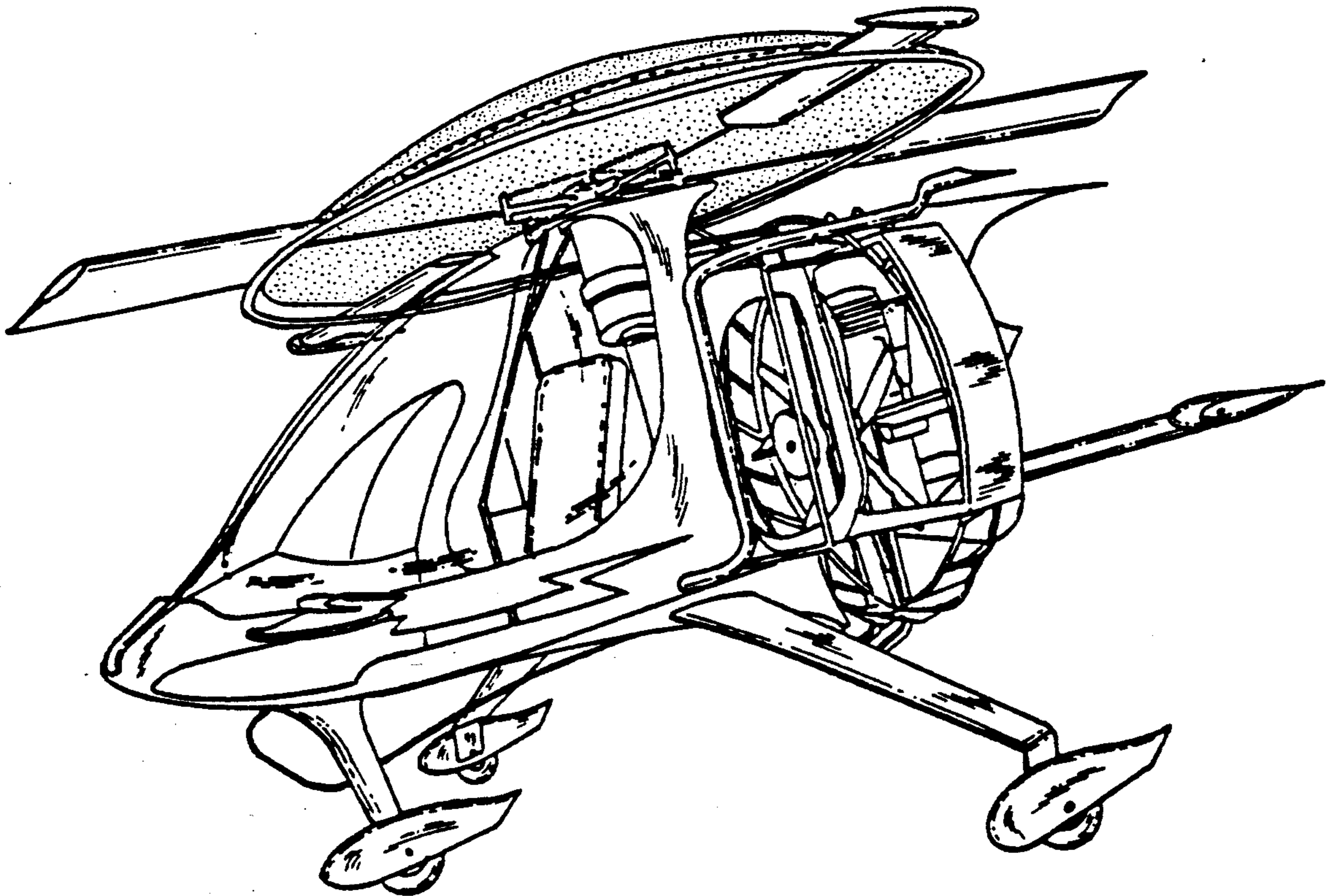


FIG. 1

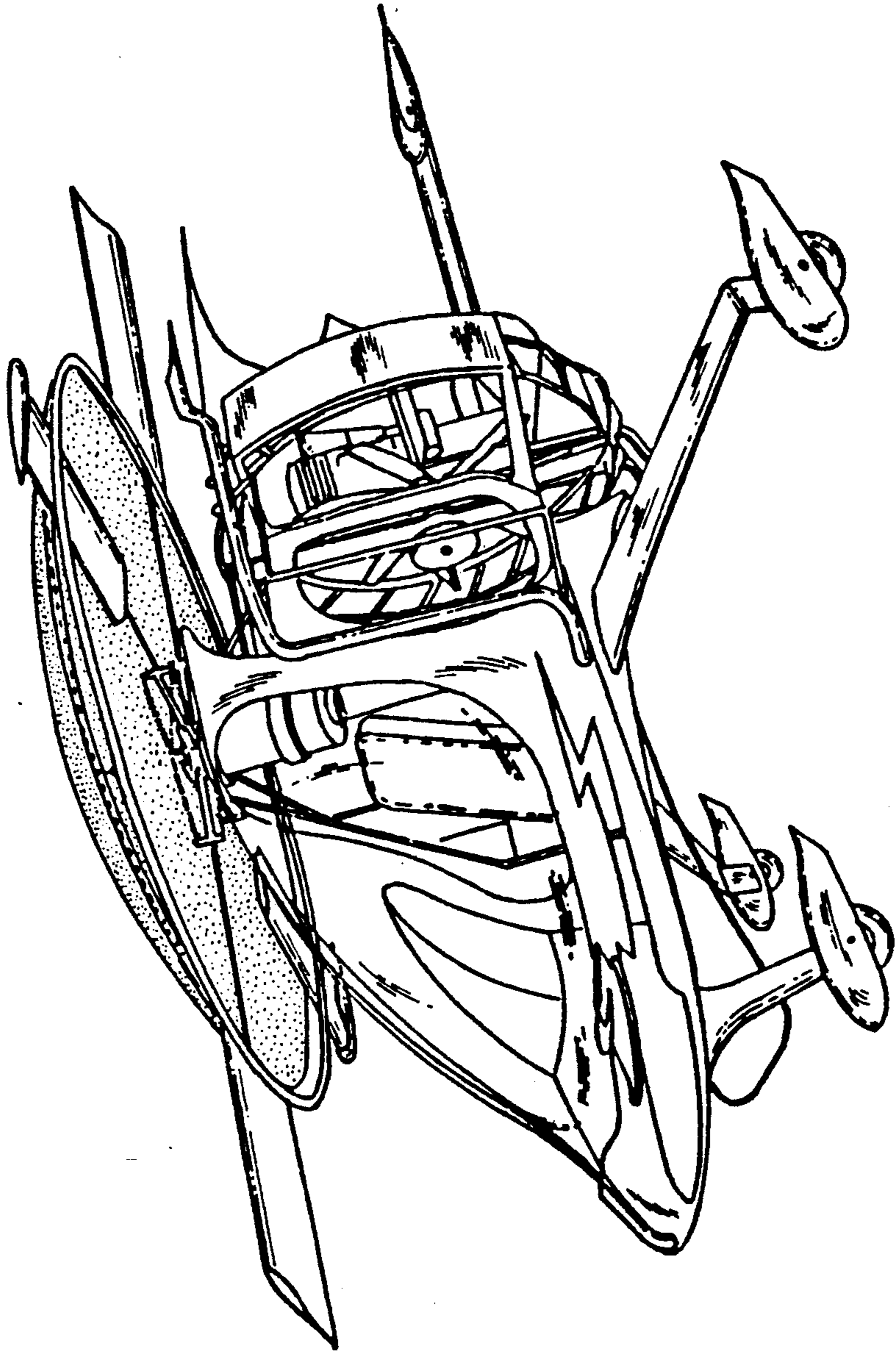


FIG. 2

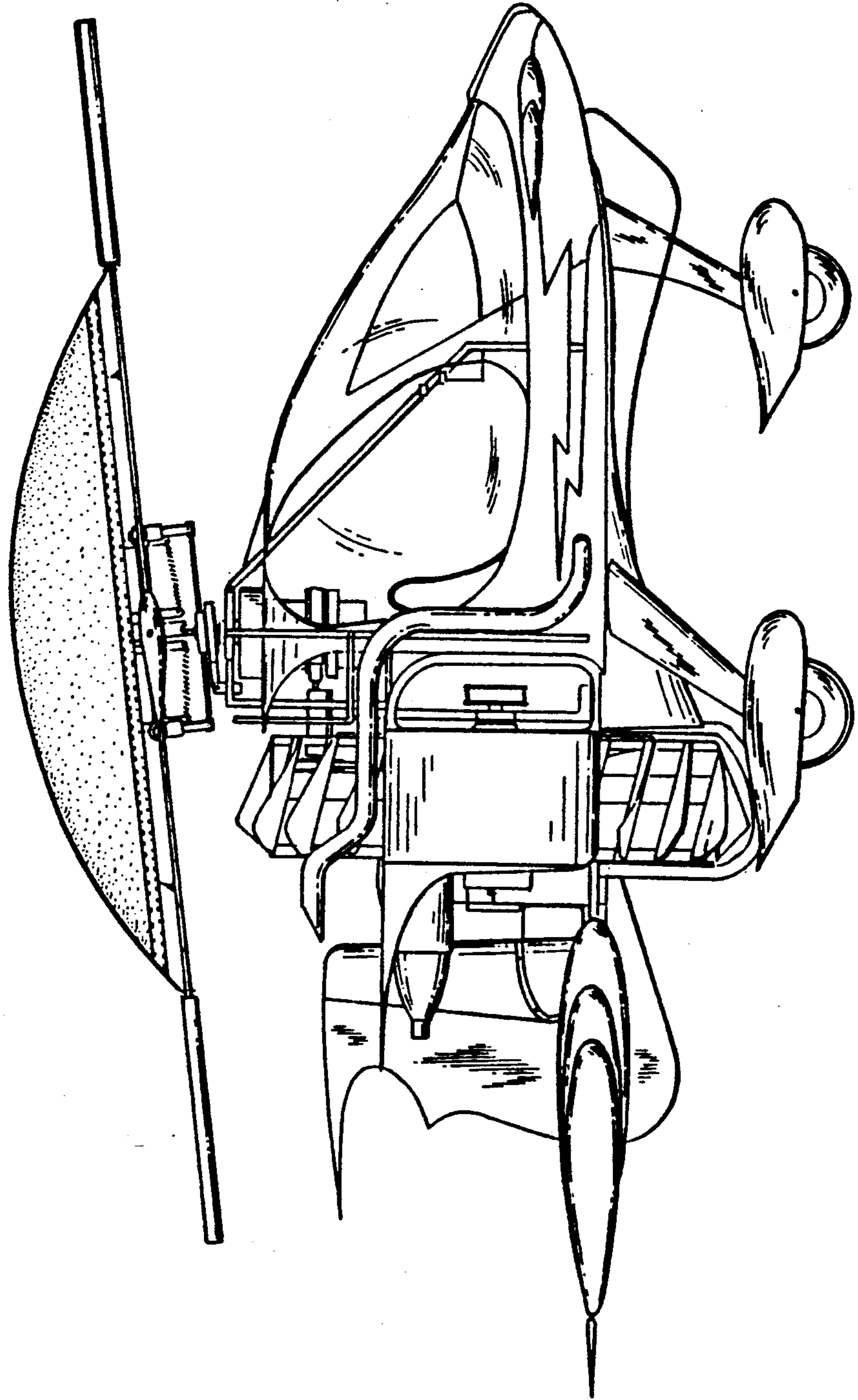


FIG. 3

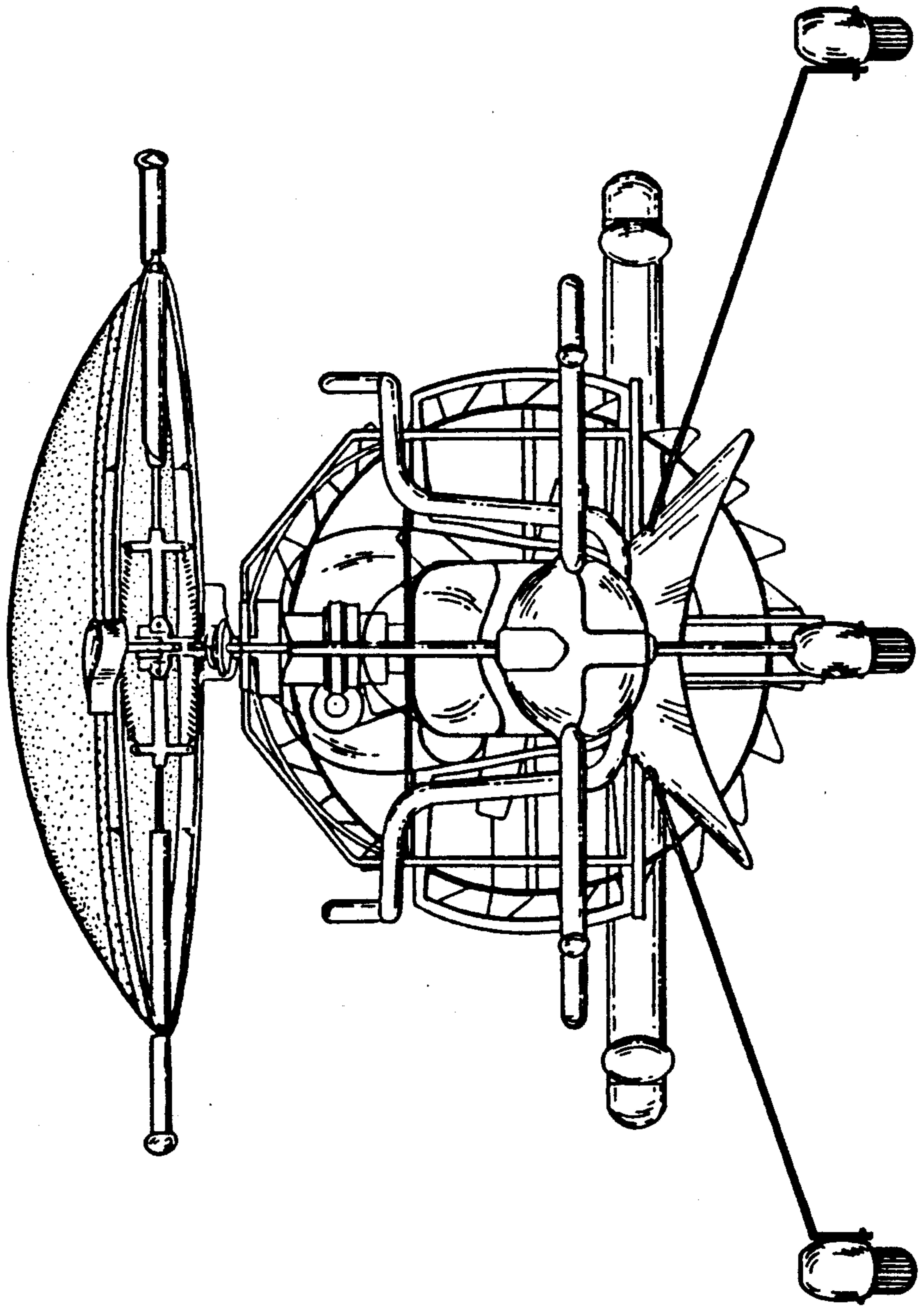
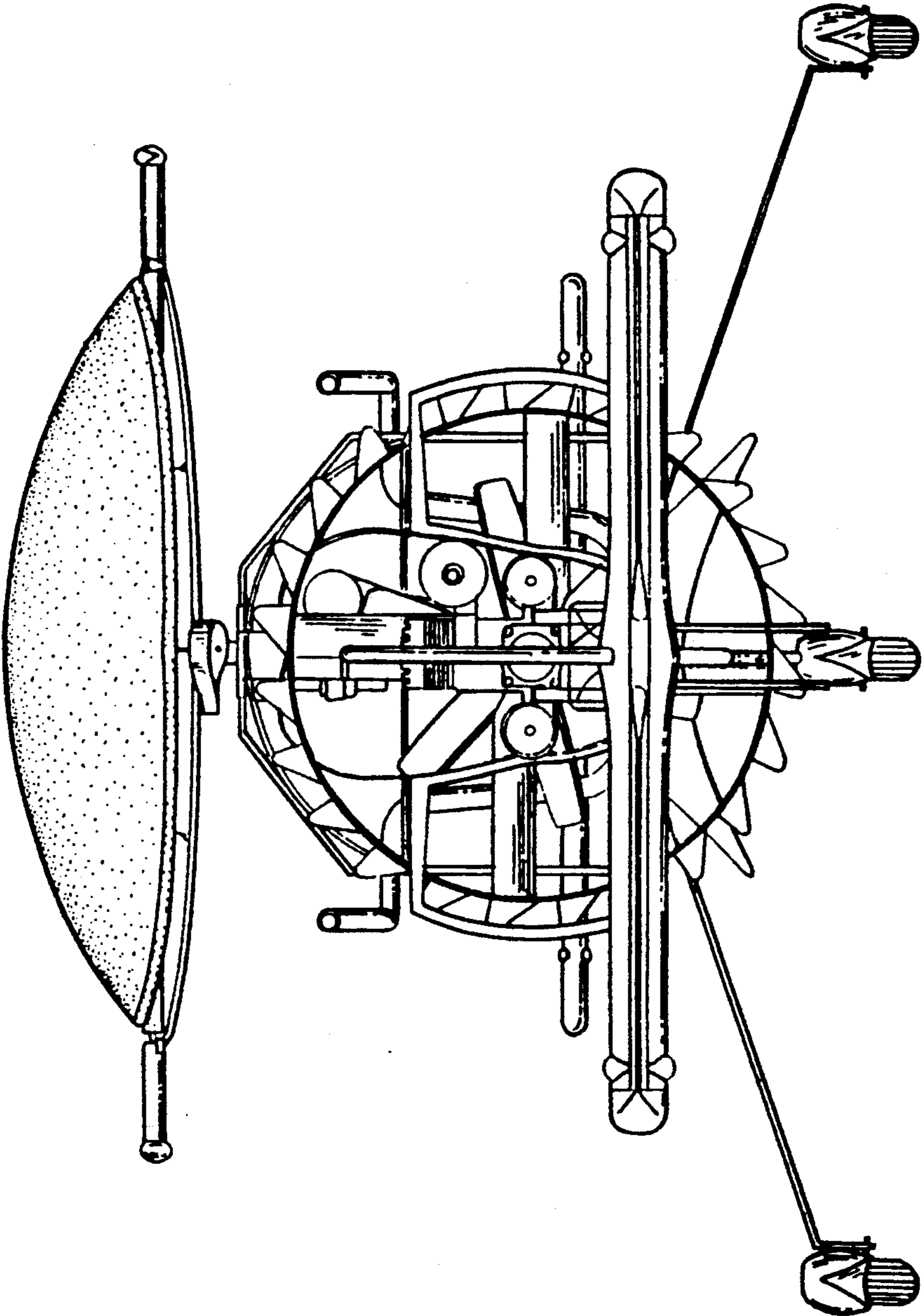


FIG. 4



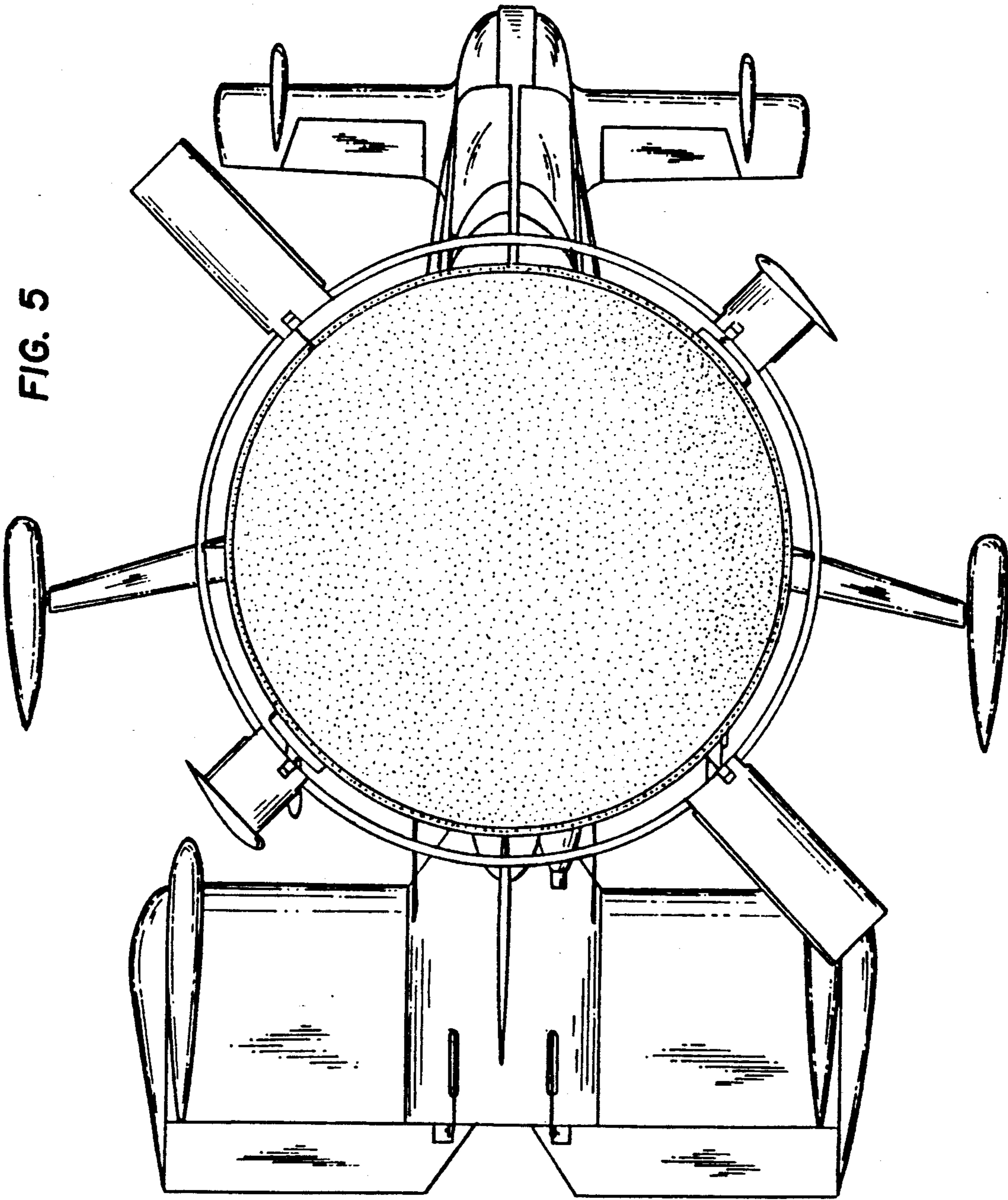


FIG. 5

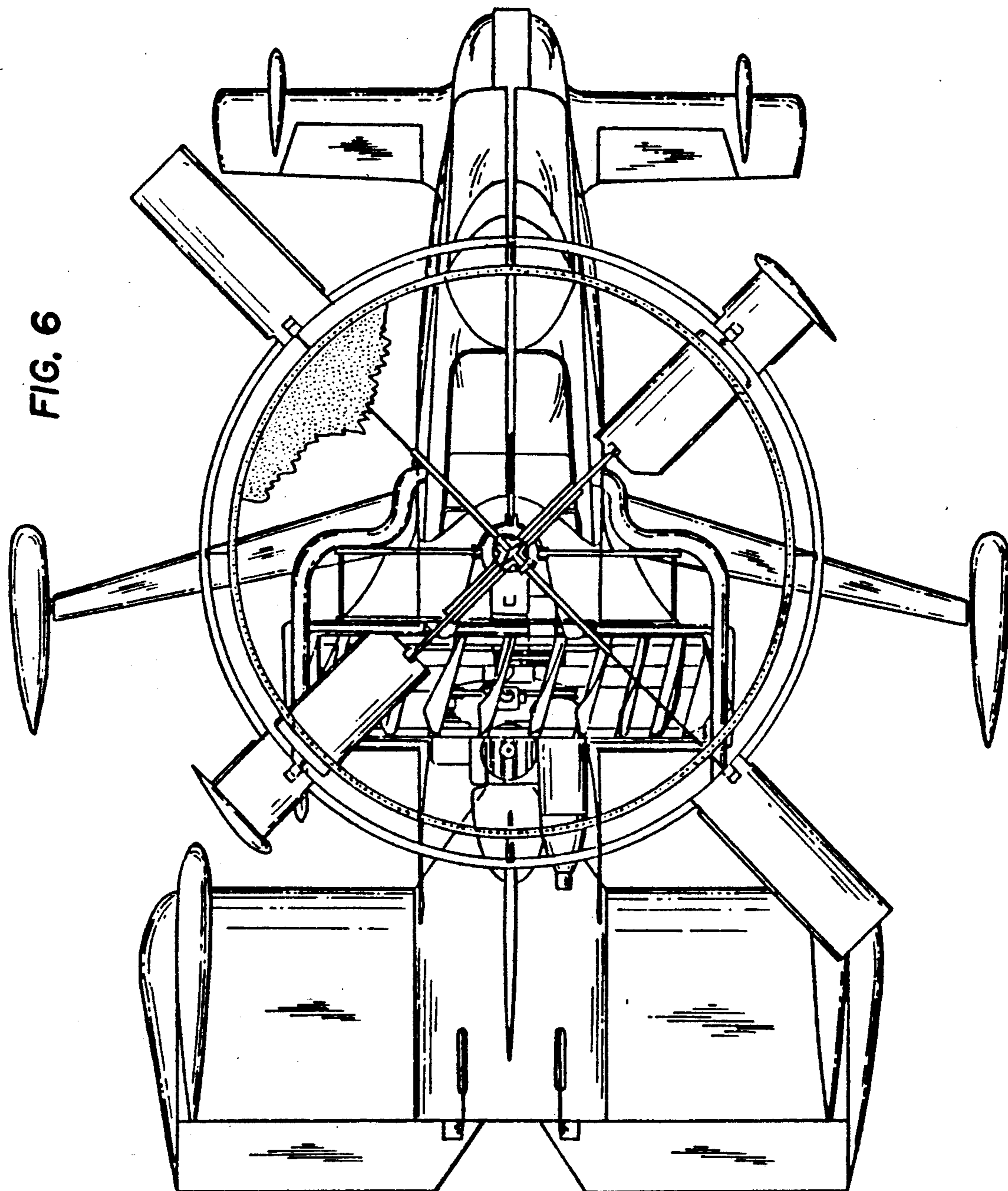


FIG. 7

