



US00D333649S

# United States Patent [19]

[11] Patent Number: Des. 333,649

Videan

[45] Date of Patent: \*\* Mar. 2, 1993

[54] OFFSET RUB RAIL CAP

5,113,781 5/1992 Link ..... 114/361

[76] Inventor: Rick A. Videan, 6177 Lillian La.,  
Traverse City, Mich. 49684

Primary Examiner—Kay H. Chin

[\*\*] Term: 14 Years

[57] CLAIM

[21] Appl. No.: 684,399

The ornamental design for an offset rub rail cap, as shown and described.

[22] Filed: Apr. 9, 1991

### DESCRIPTION

[52] U.S. Cl. .... D12/317

[58] Field of Search ..... D12/317, 318; 114/361,  
114/364; D25/38, 41, 44

FIG. 1 is a perspective view of an offset rub rail cap showing my new designs, the broken lines are for illustrative purposes only;

FIG. 2 is a top and rear view thereof;

FIG. 3 is a right side elevational view thereof;

FIG. 4 is a front elevational view thereof;

FIG. 5 is a left side elevational view thereof;

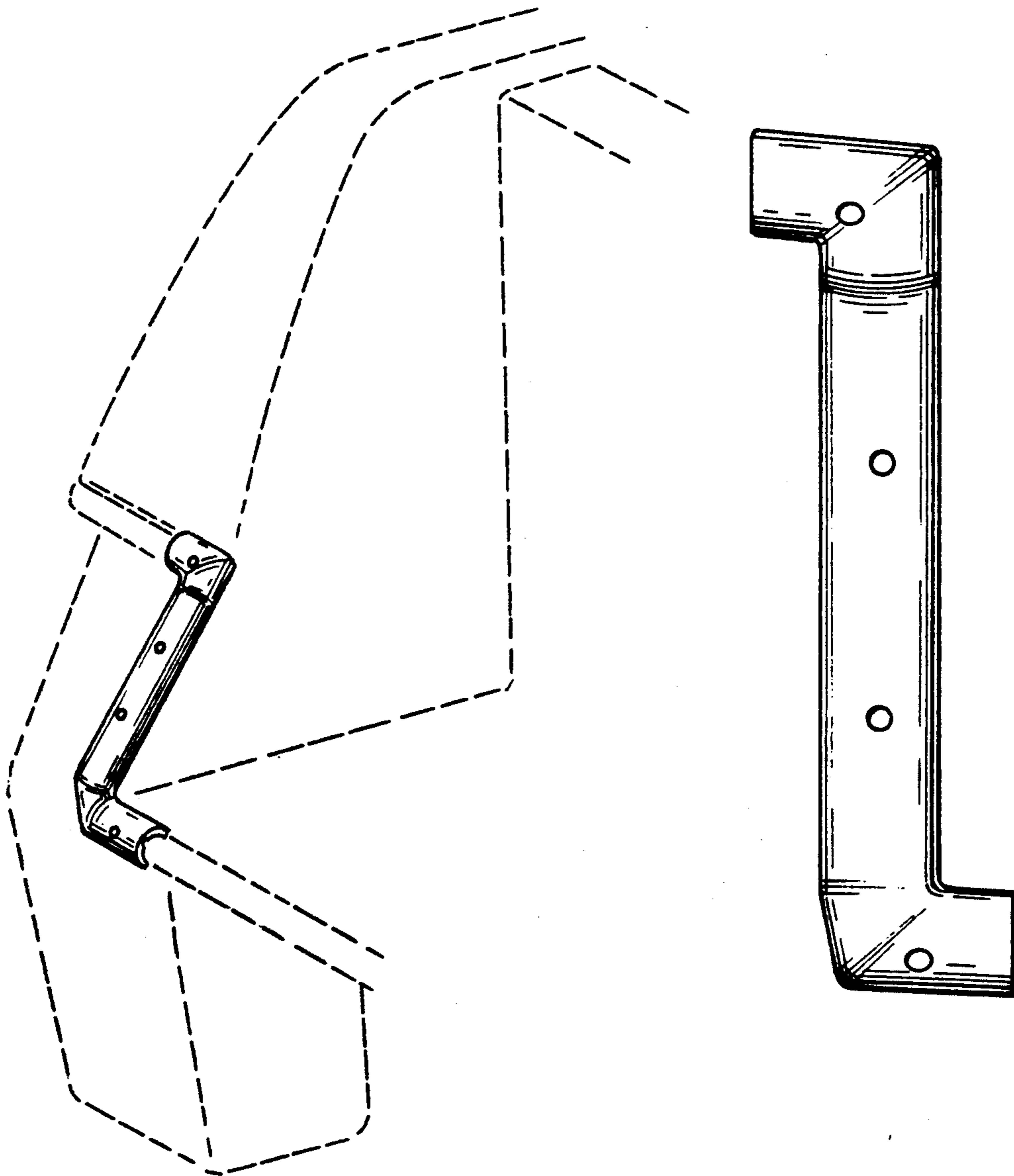
FIG. 6 is a rear elevational view thereof; and,

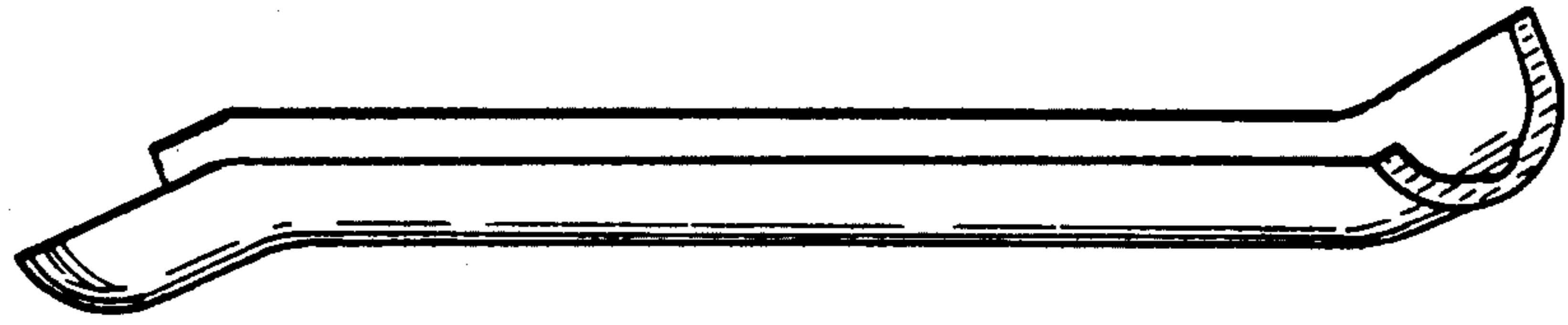
FIG. 7 is a bottom and front view thereof.

### [56] References Cited

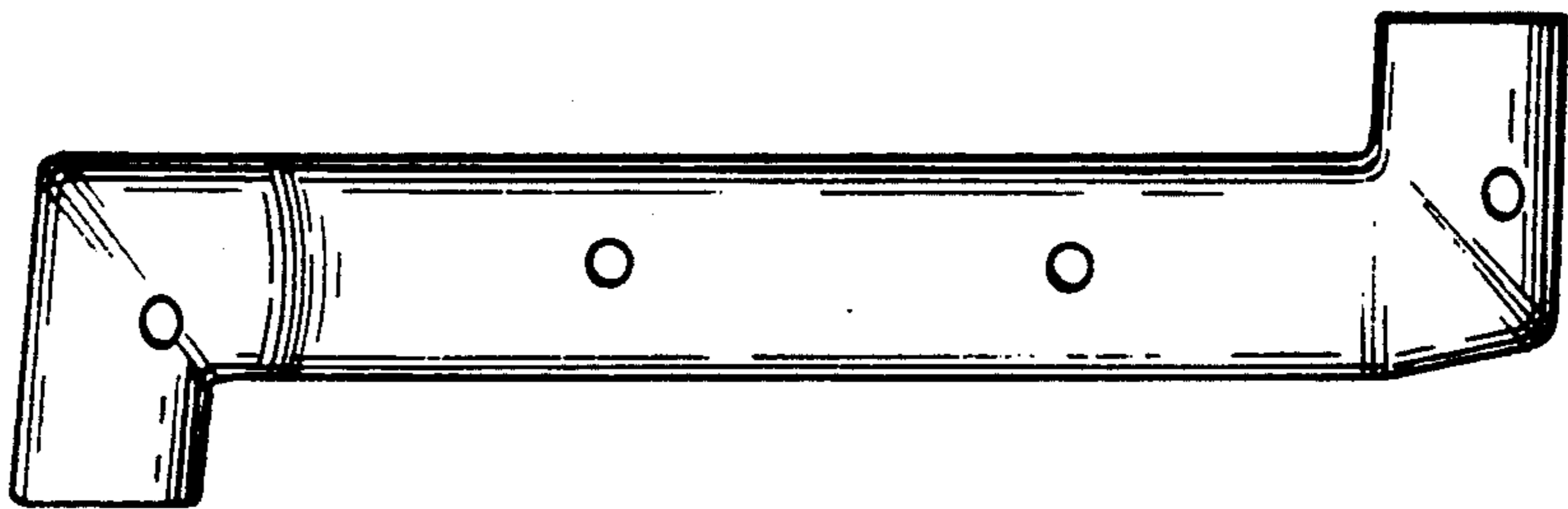
#### U.S. PATENT DOCUMENTS

- D. 200,702 3/1965 Huret ..... D25/44
- D. 257,337 10/1980 Black ..... D12/317
- D. 305,799 1/1990 Manzo ..... D25/38

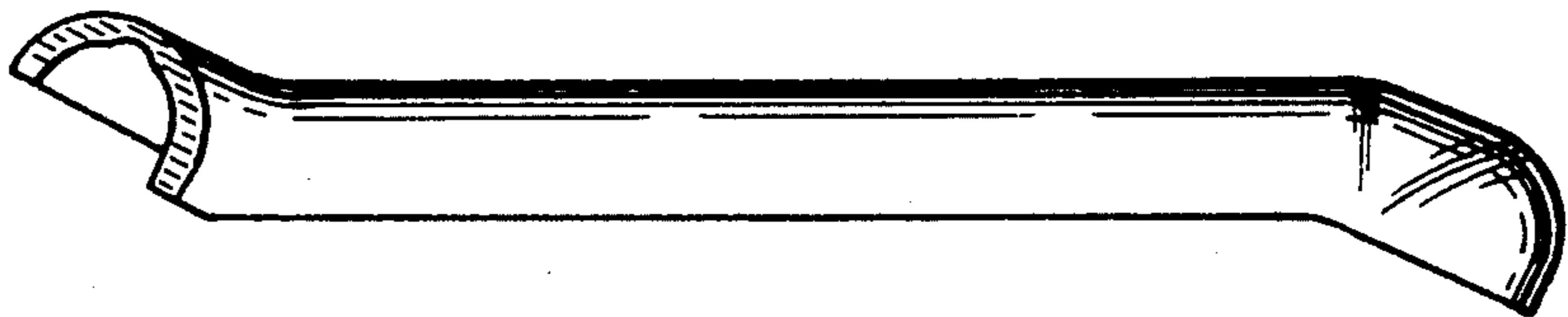




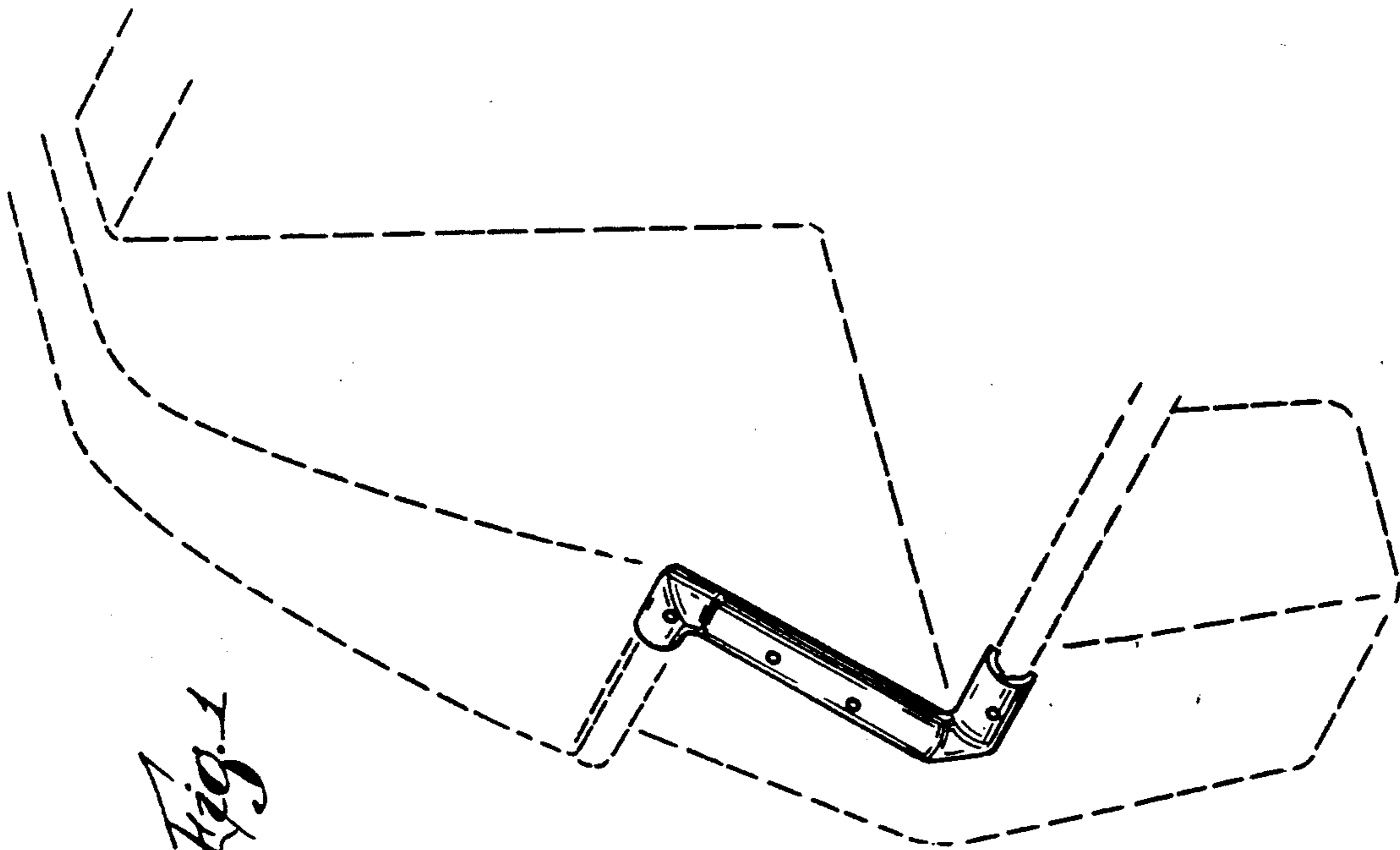
*Fig. 3*



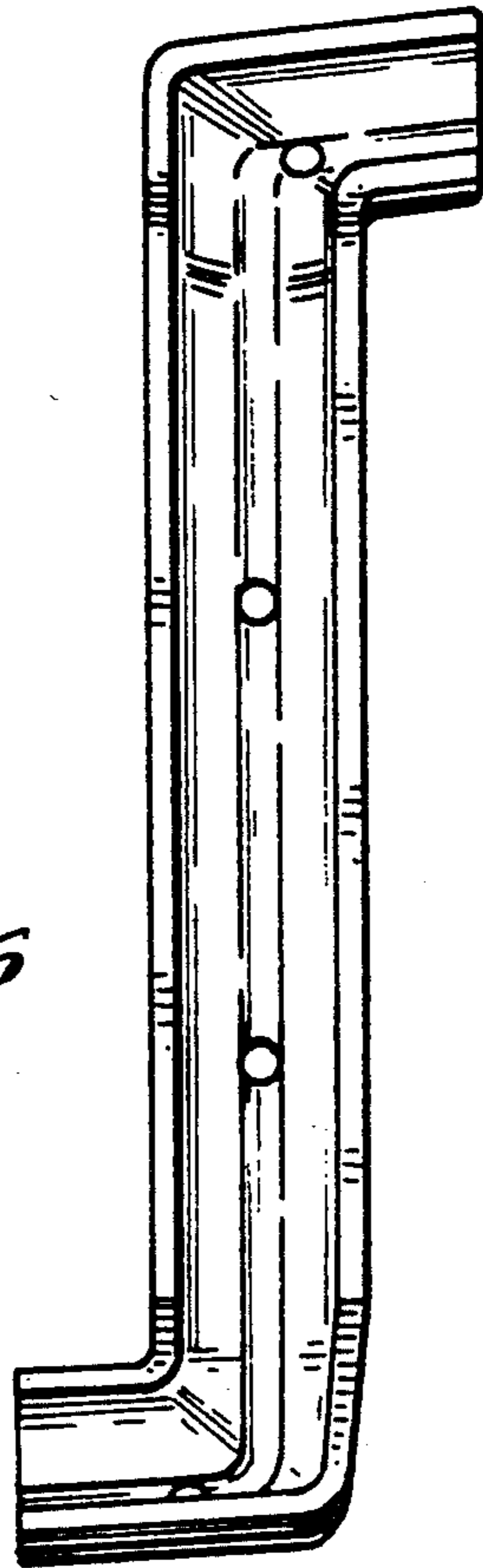
*Fig. 4*



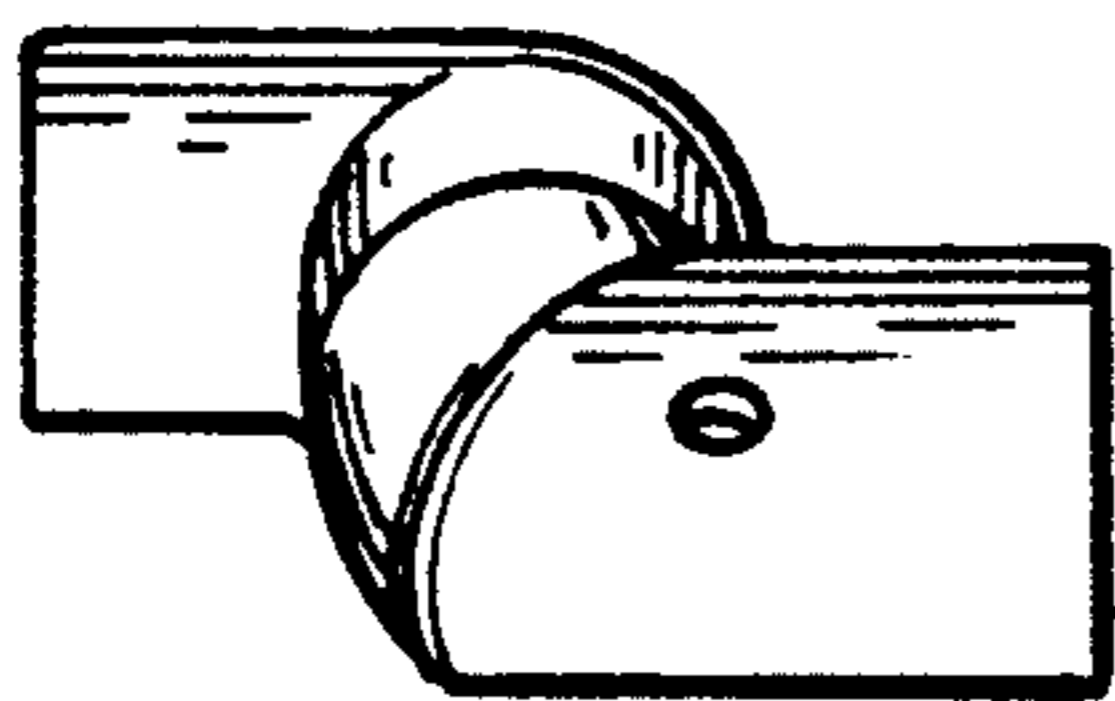
*Fig. 5*



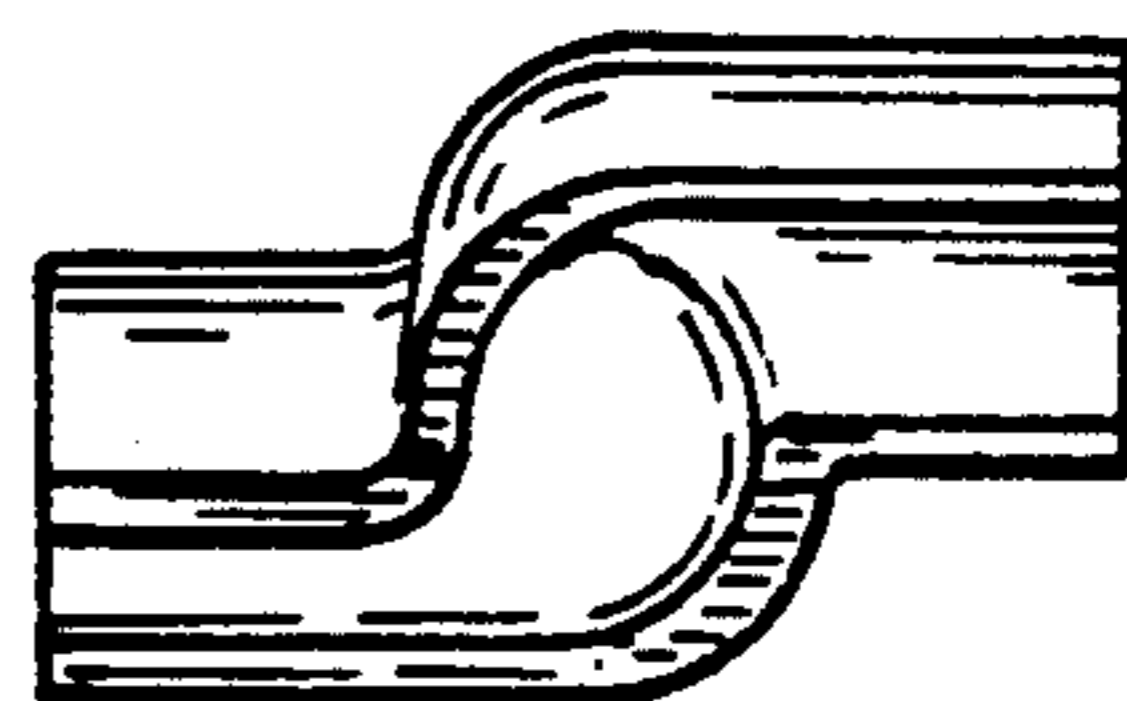
*Fig. 1*



*Fig. 6*



*Fig. 7*



*Fig. 2*