



US00D333630S

# United States Patent [19] Marks

[11] Patent Number: **Des. 333,630**

[45] Date of Patent: **\*\* Mar. 2, 1993**

[54] **INSTRUMENT FOR TESTING LIQUID SAMPLES**

[75] Inventor: **Colin E. Marks, Tyne & Wear, England**

[73] Assignee: **Palintest Ltd., Tyne & Wear, England**

[\*\*] Term: **14 Years**

[21] Appl. No.: **527,169**

[22] Filed: **May 22, 1990**

[30] **Foreign Application Priority Data**

Jan. 16, 1990 [GB] United Kingdom ..... 2004538

[52] U.S. Cl. .... **D10/81; D10/78**

[58] Field of Search ..... D24/216; D10/80, 81, D10/78; 356/246, 423, 402; 422/57, 58

[56] **References Cited**

**U.S. PATENT DOCUMENTS**

D. 186,271	10/1959	Marks	.....	D10/81
D. 197,404	1/1964	Frank	.....	D10/81
D. 226,428	3/1973	Davis	.....	D10/81
D. 318,245	7/1991	Sierra et al.	.....	D10/81
D. 321,488	11/1991	Sierra et al.	.....	D10/81
3,176,577	4/1965	Frank	.....	422/58

4,180,009	12/1979	Voss et al.	.....	422/58
4,871,258	10/1989	Herpichboehm et al.	.....	356/423
4,984,895	1/1991	Kobayashi et al.	.....	356/423
5,011,290	4/1991	Terada et al.	.....	356/423
5,083,868	1/1992	Anderson	.....	356/402

**FOREIGN PATENT DOCUMENTS**

9101179 2/1991 World Int. Prop. O. .... 422/58

**OTHER PUBLICATIONS**

American Scientific Products; p. 1018, Item W2555-1, Pocket Comparator.

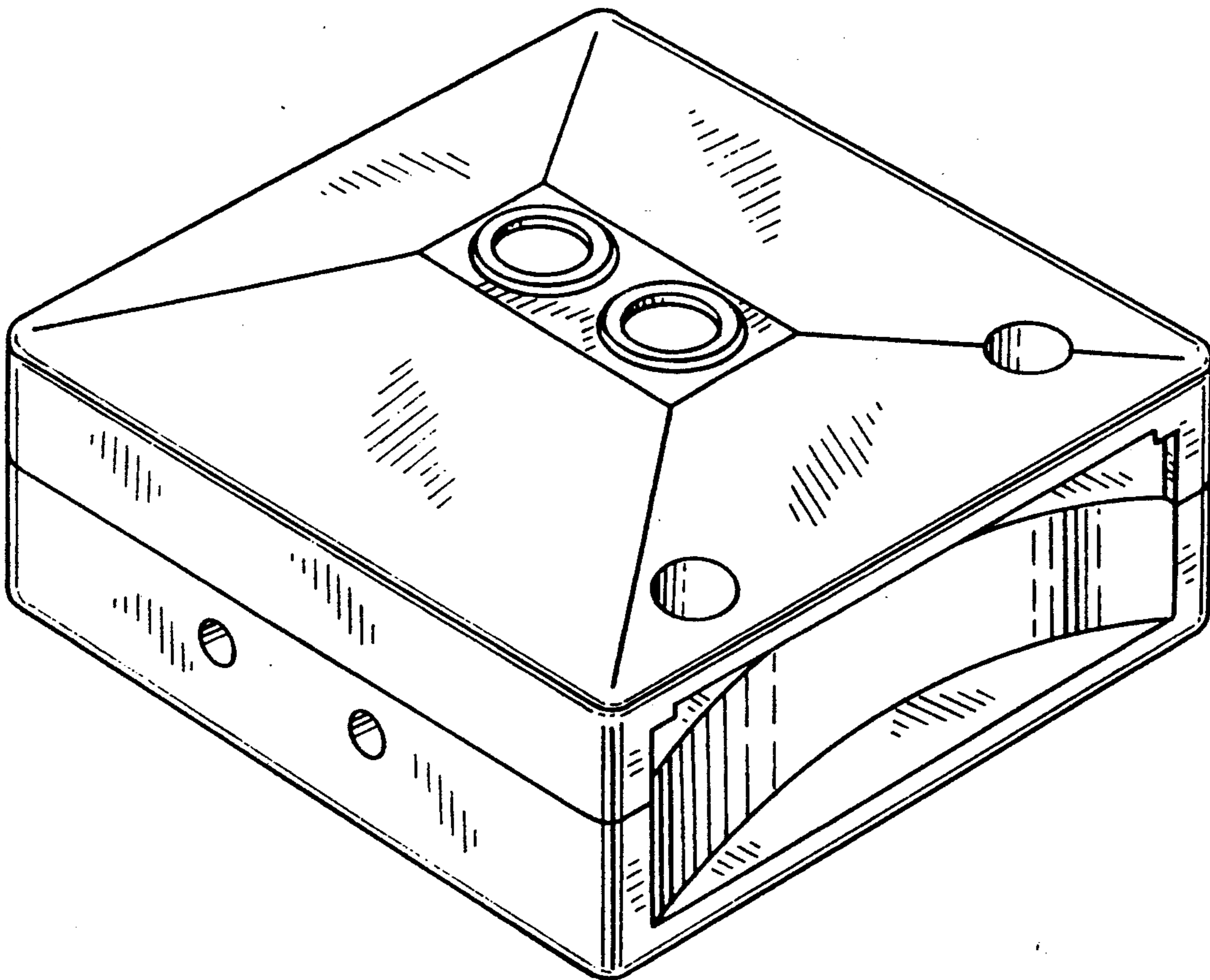
*Primary Examiner*—A. Hugo Word  
*Assistant Examiner*—Celia A. Murphy  
*Attorney, Agent, or Firm*—Rodman & Rodman

[57] **CLAIM**

The ornamental design for an instrument for testing liquid samples, as shown and described.

**DESCRIPTION**

FIG. 1 is a front perspective view of an instrument for testing liquid samples showing my new design; FIG. 2 is a right side elevational view thereof; FIG. 3 is a rear perspective view thereof; FIG. 4 is a rear elevational view thereof; and, FIG. 5 is a bottom plan view thereof.



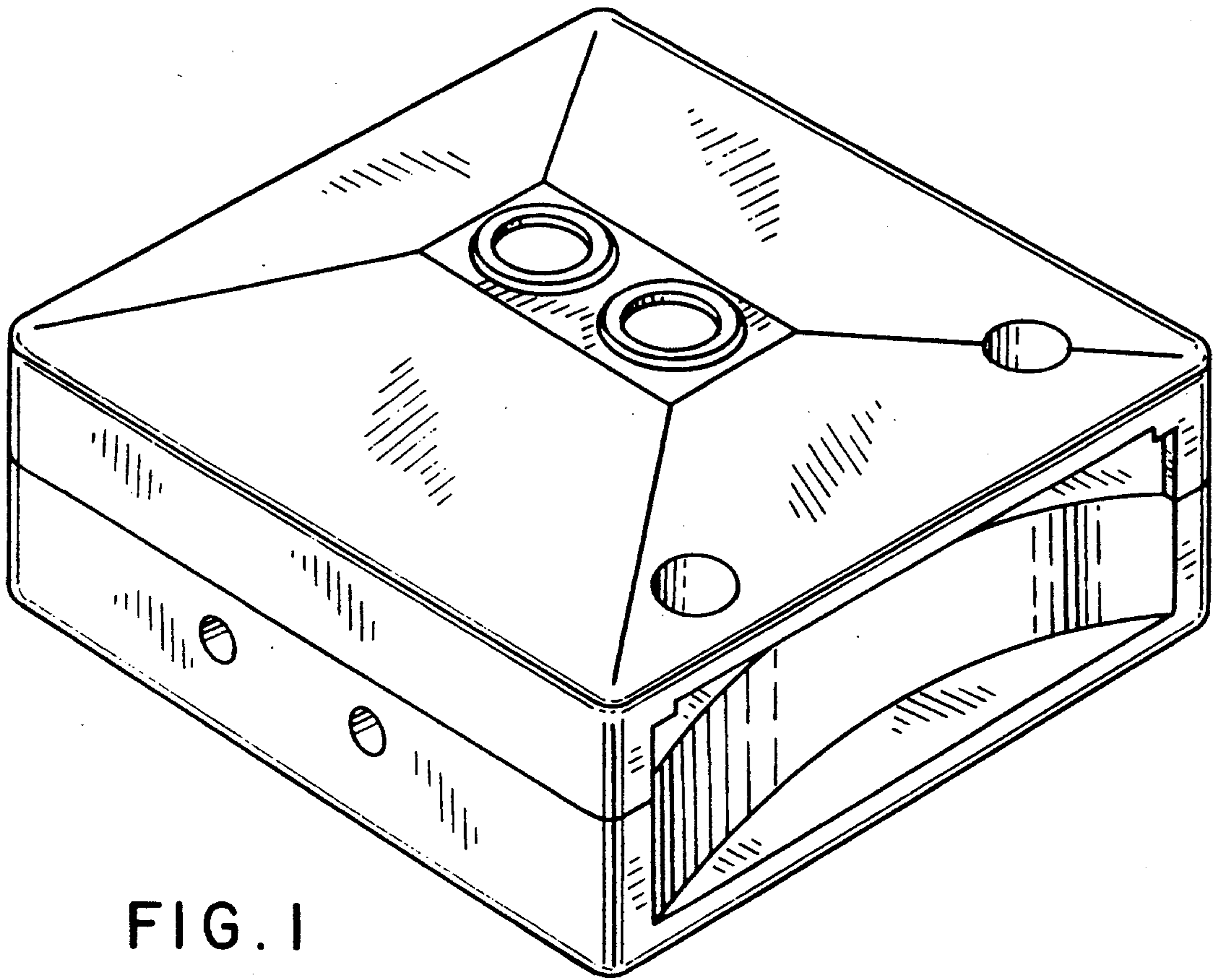


FIG. 1

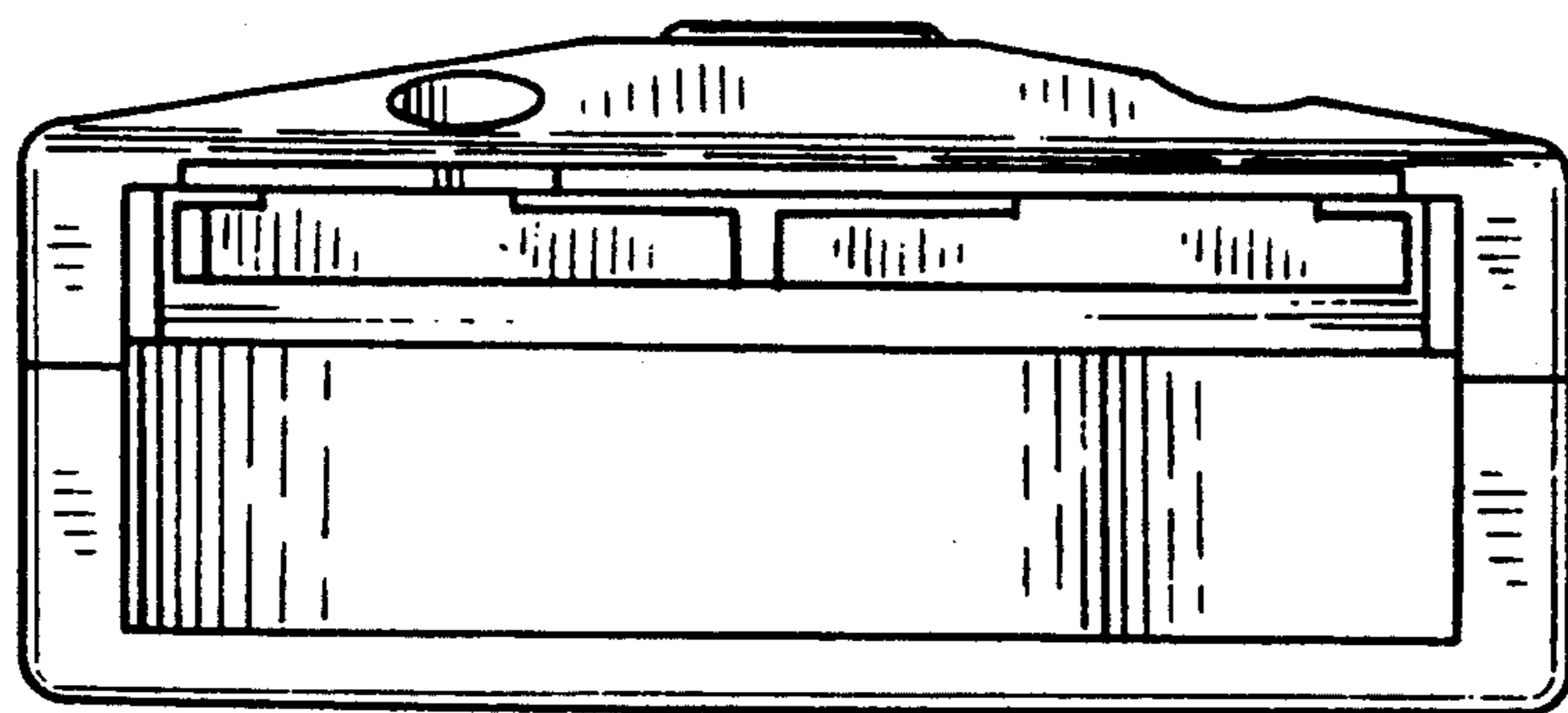


FIG. 2

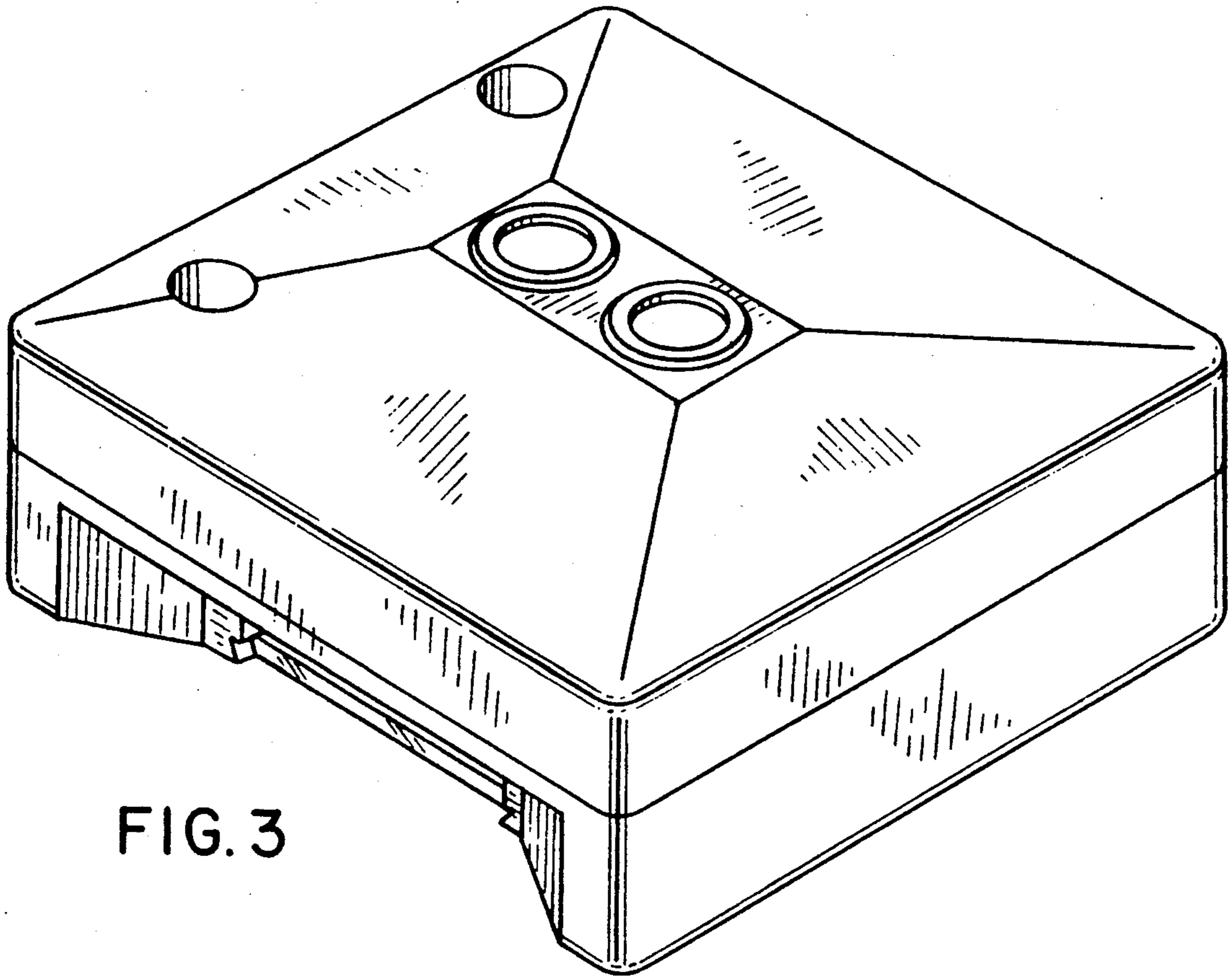


FIG. 3

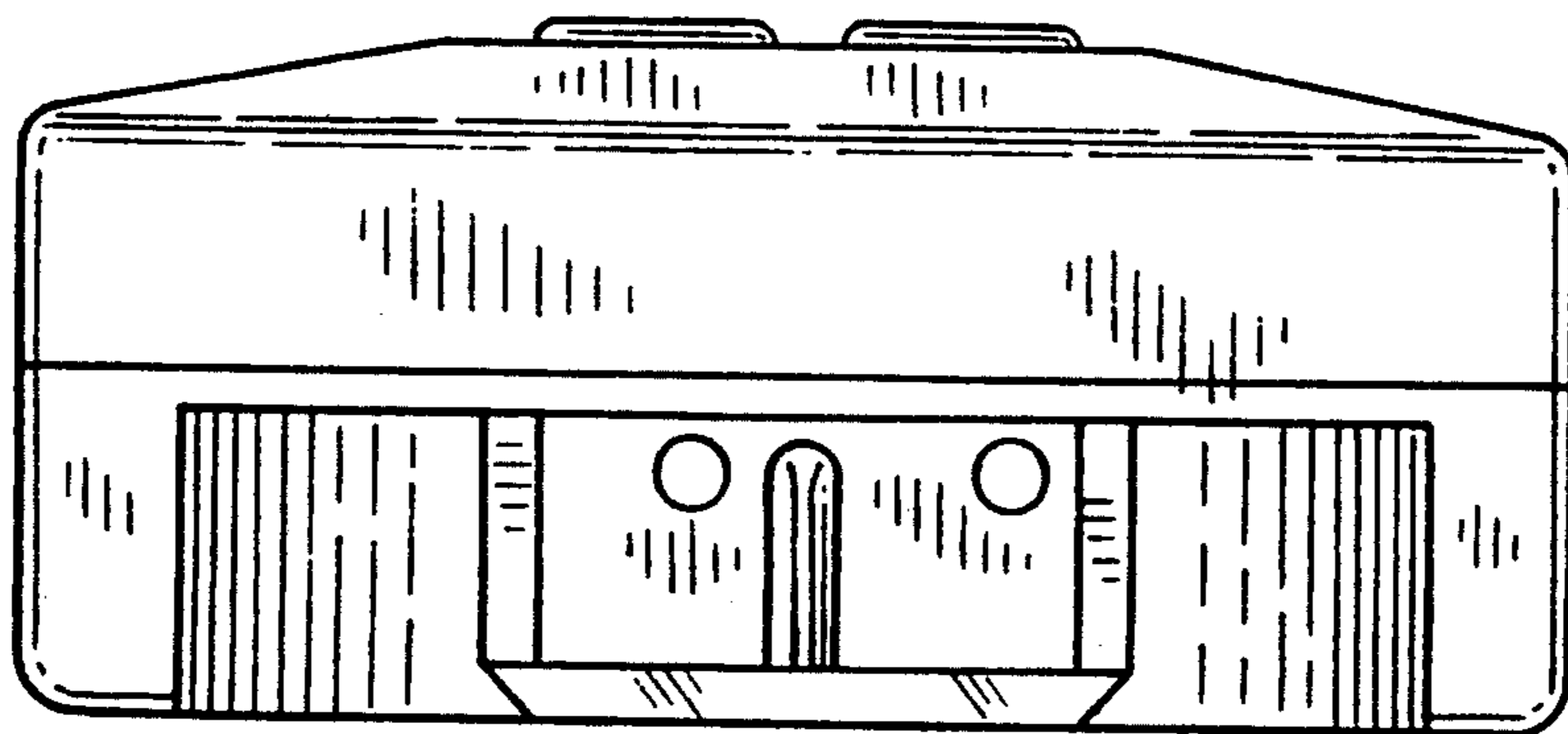


FIG. 4

FIG. 5

