



US00D333629S

United States Patent [19]

Johnson

[11] Patent Number: Des. 333,629

[45] Date of Patent: ** Mar. 2, 1993

[54] PHOTOELECTRIC SENSOR HOUSING
 [75] Inventor: Donald D. Johnson, Pearl City, Ill.
 [73] Assignee: Honeywell Inc., Minneapolis, Minn.
 [**] Term: 14 Years
 [21] Appl. No.: 801,129
 [22] Filed: Dec. 2, 1991
 [52] U.S. Cl. D10/80; D10/78
 [58] Field of Search D10/46, 75, 78, 80;
 73/432, 866.5; 250/222.1, 239, 222.2, 223 R,
 ' 223 B, 224, 214 R, 214 B, 221

4,078,944 5/1978 Mlavsky 250/239 X
 4,899,052 2/1990 Lindquist 250/239 X
 5,115,129 5/1992 Johnson 250/239
 5,151,591 9/1992 Johnson et al. 250/222.1 X

Primary Examiner—Alan P. Douglas
Assistant Examiner—Antoine D. Davis
Attorney, Agent, or Firm—William D. Lanyi

[57] CLAIM

The ornamental design for a photoelectric sensor housing, as shown.

DESCRIPTION

FIG. 1 is a side perspective view of the present invention showing its face end;
 FIG. 2 is a side perspective view of the present invention showing its connector end; and,
 FIG. 3 is a side view of the present invention.

[56] **References Cited**
U.S. PATENT DOCUMENTS
 D. 311,346 10/1990 Gross D10/80
 D. 319,824 9/1991 Riddiford D10/80 X

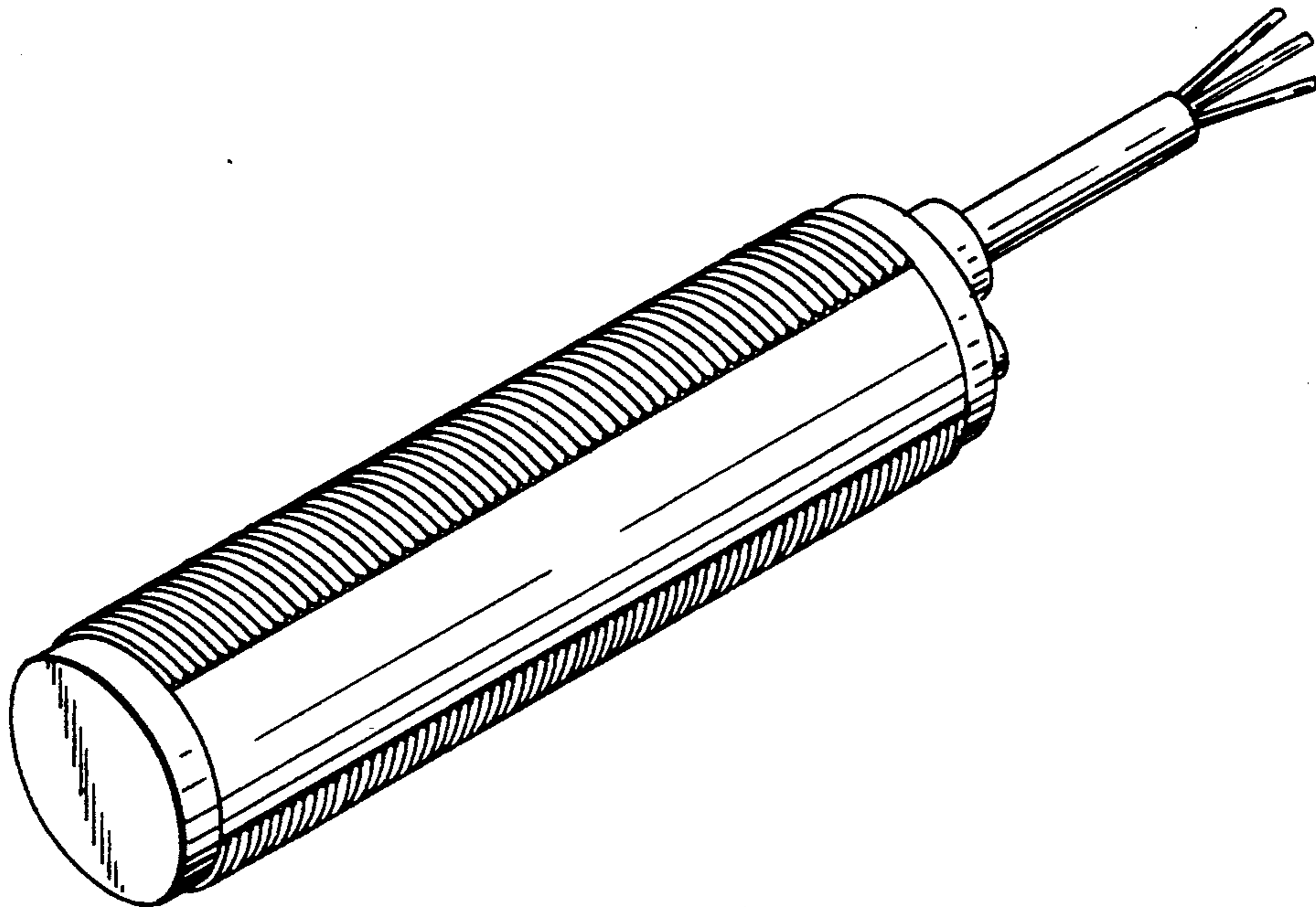


FIG. 1

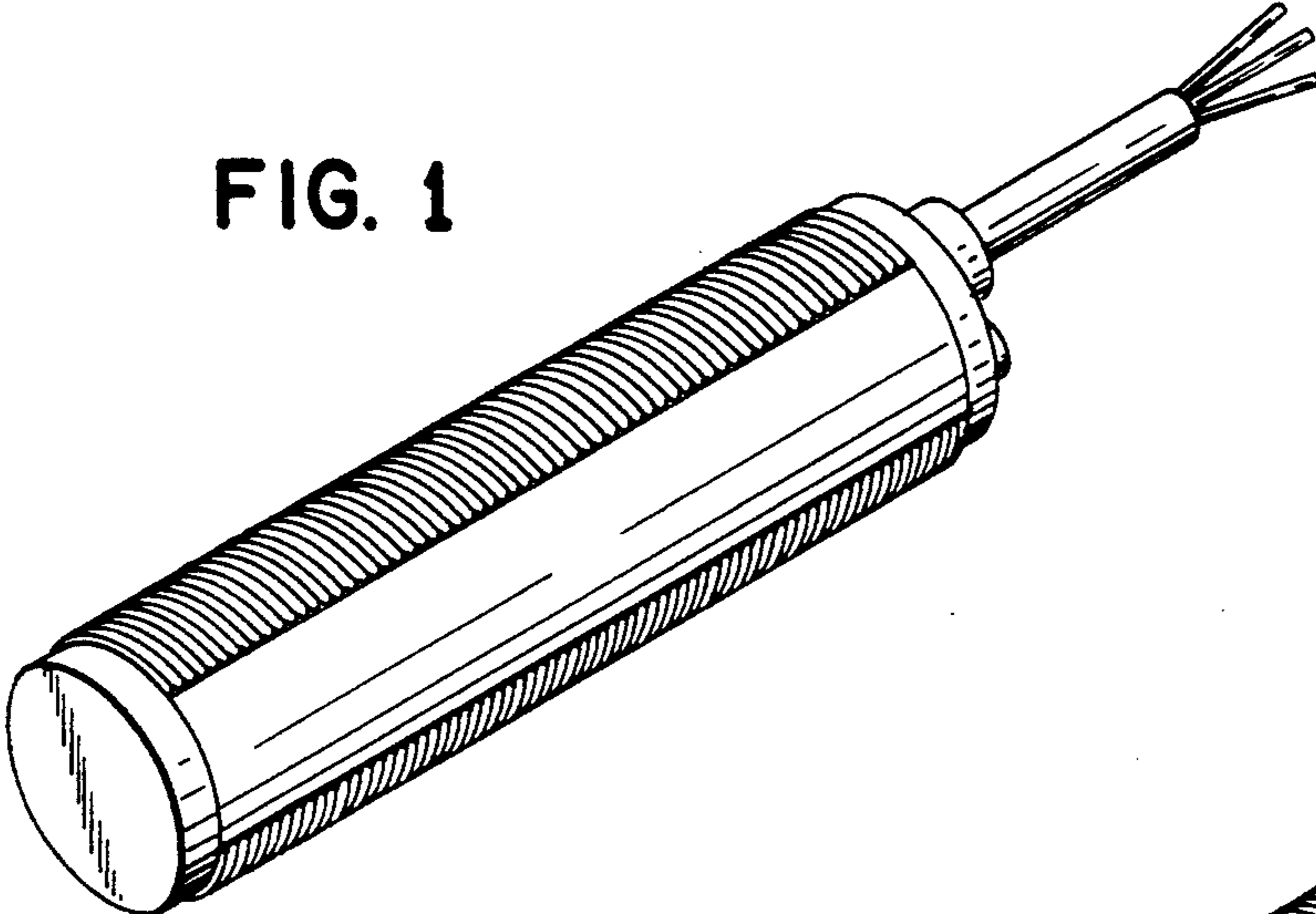


FIG. 2

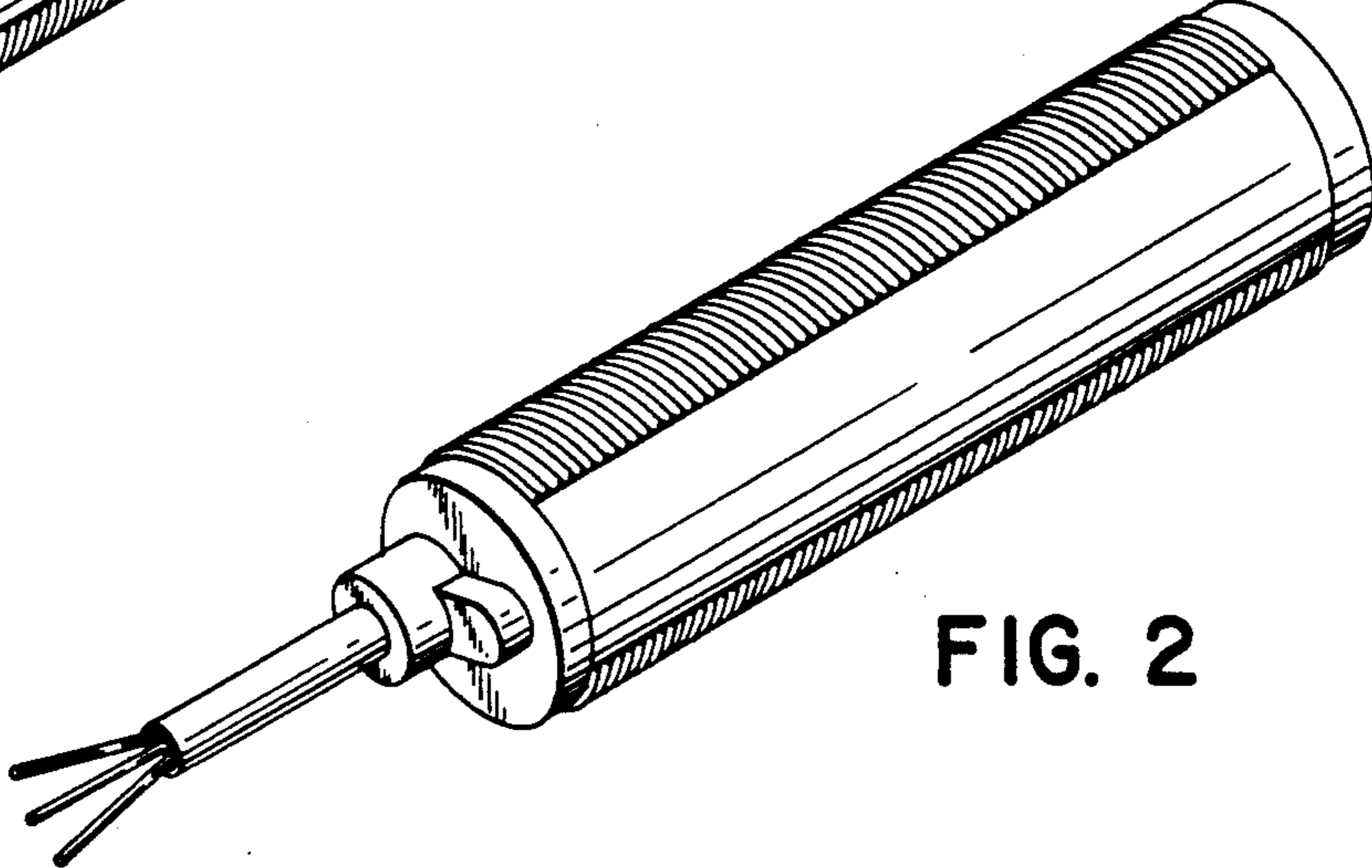


FIG. 3

