



US00D333628S

**United States Patent** [19]  
**Piotrkowski**

[11] **Patent Number: Des. 333,628**

[45] **Date of Patent: \*\* Mar. 2, 1993**

[54] **MEASURING TAPE TIP**

4,999,924 3/1991 Shields ..... 33/770

[76] **Inventor: Kenneth J. Piotrkowski, 106 Avenue D, Holbrook, N.Y. 11741**

*Primary Examiner*—Alan P. Douglas  
*Assistant Examiner*—Antoine D. Davis  
*Attorney, Agent, or Firm*—Edward H. Loveman

[\*\*] **Term: 14 Years**

[21] **Appl. No.: 536,223**

[57] **CLAIM**

[22] **Filed: Jun. 8, 1990**

The ornamental design of a measuring tape tip, as shown and described.

[52] **U.S. Cl. .... D10/74**

[58] **Field of Search ..... D10/74; D8/367, 371, D8/382, 383; 33/755-771**

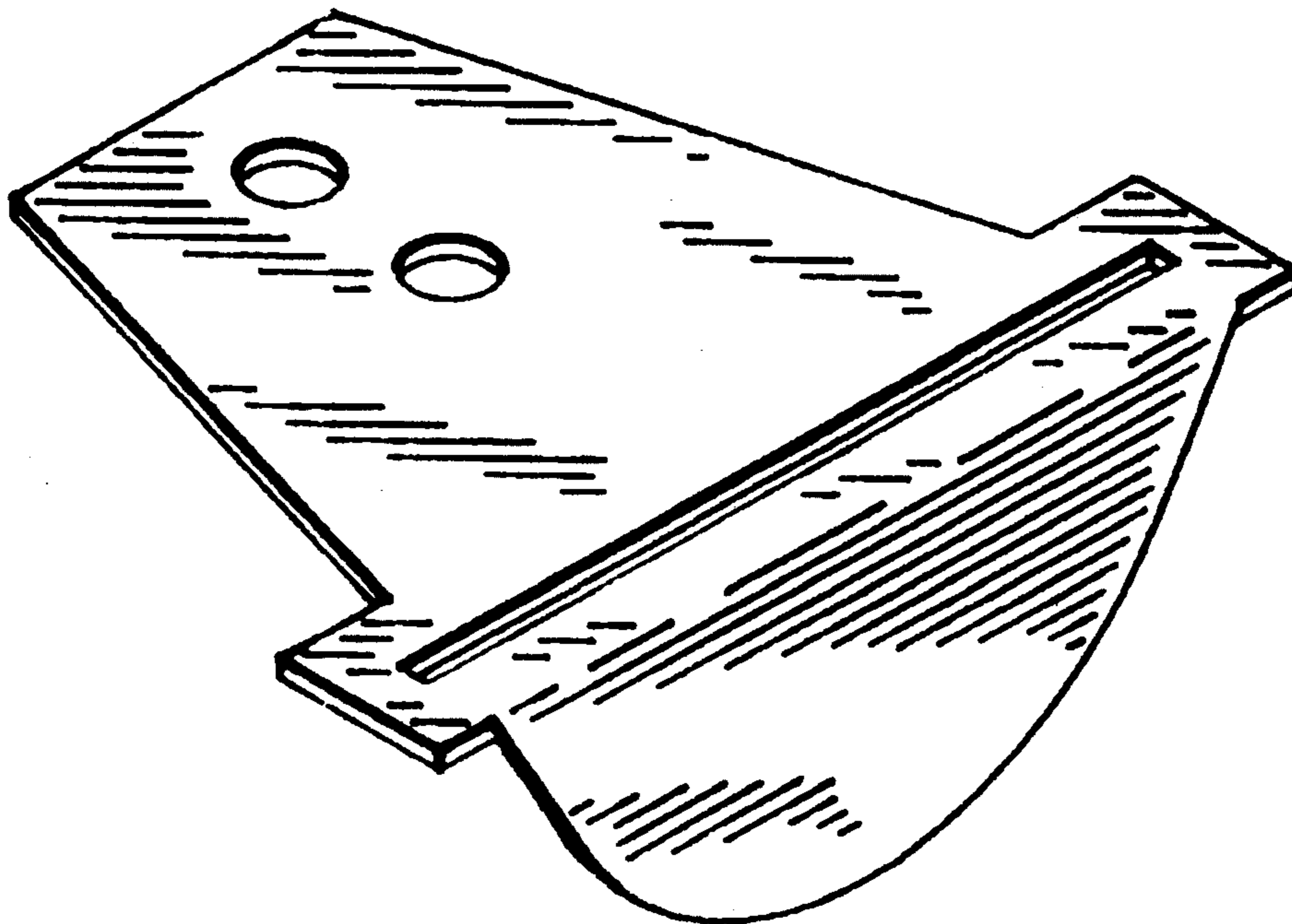
**DESCRIPTION**

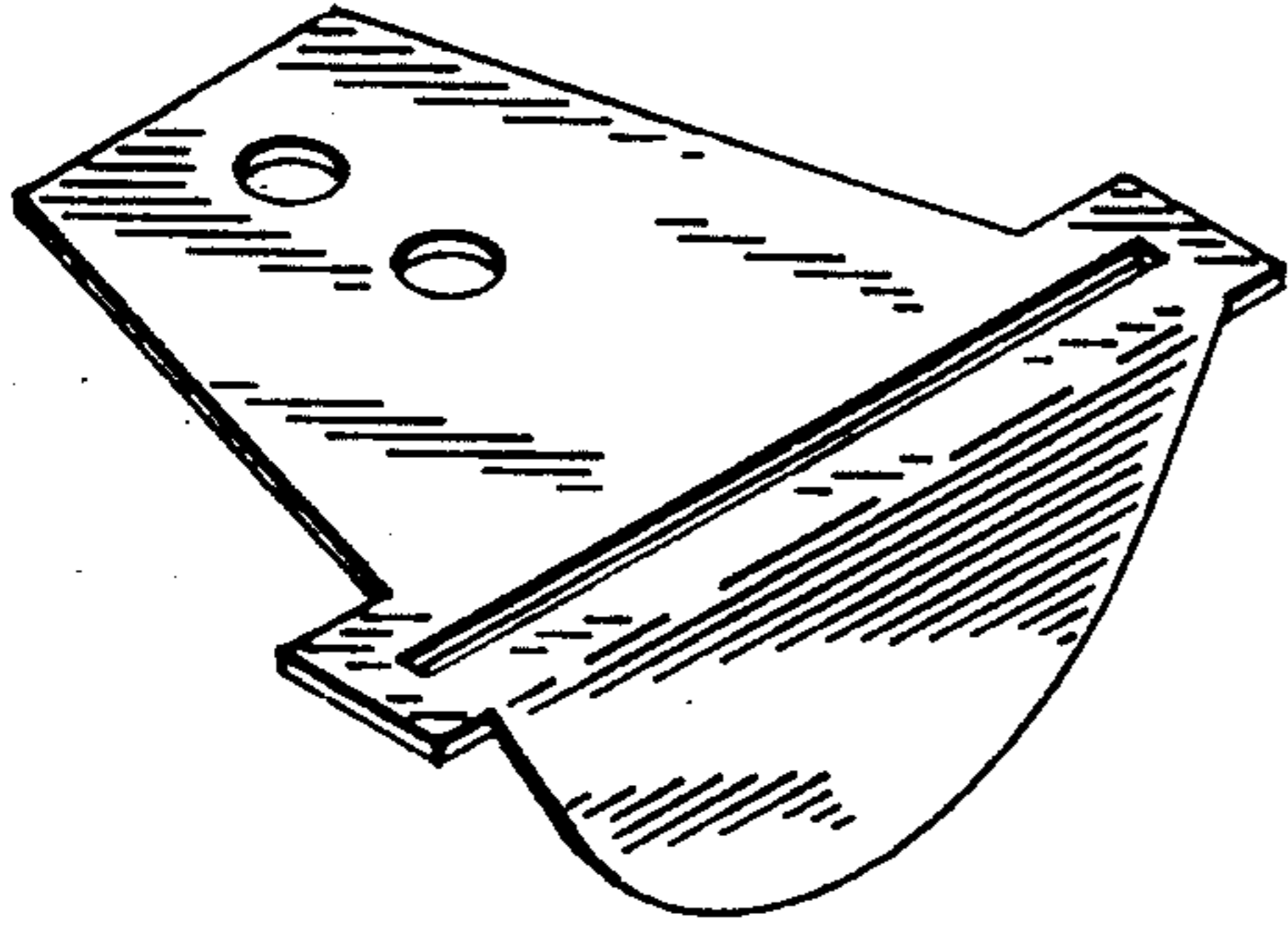
[56] **References Cited**

**U.S. PATENT DOCUMENTS**

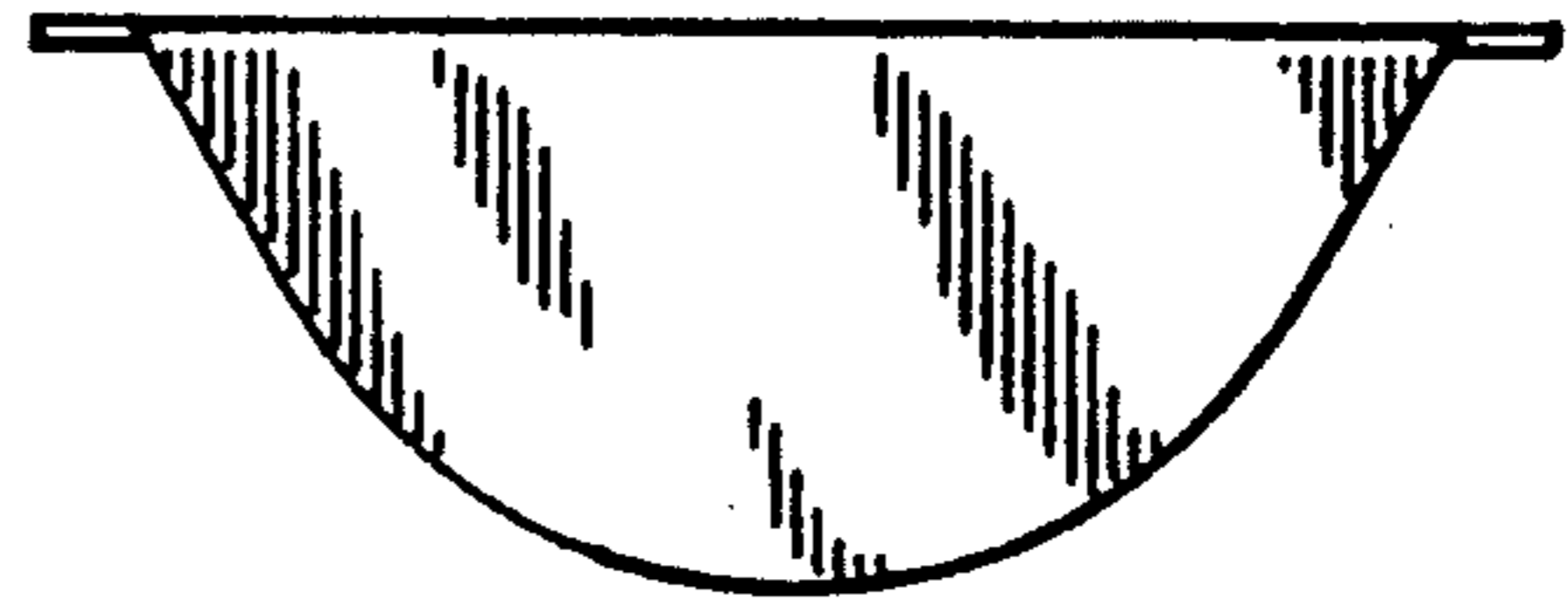
1,964,280	6/1934	Witchger .....	33/768
1,973,843	9/1934	Buck .....	33/770
1,983,202	12/1934	Volz .....	33/768
2,574,272	11/1951	McCully .....	33/770

FIG. 1 is a perspective view of a measuring tape tip showing my new design;  
FIG. 2 is a front elevational view thereof;  
FIG. 3 is a top plan view thereof;  
FIG. 4 is a rear elevational view thereof;  
FIG. 5 is a bottom plan view thereof; and,  
FIG. 6 is a left side elevational view thereof, the right side elevational view being a mirror image.

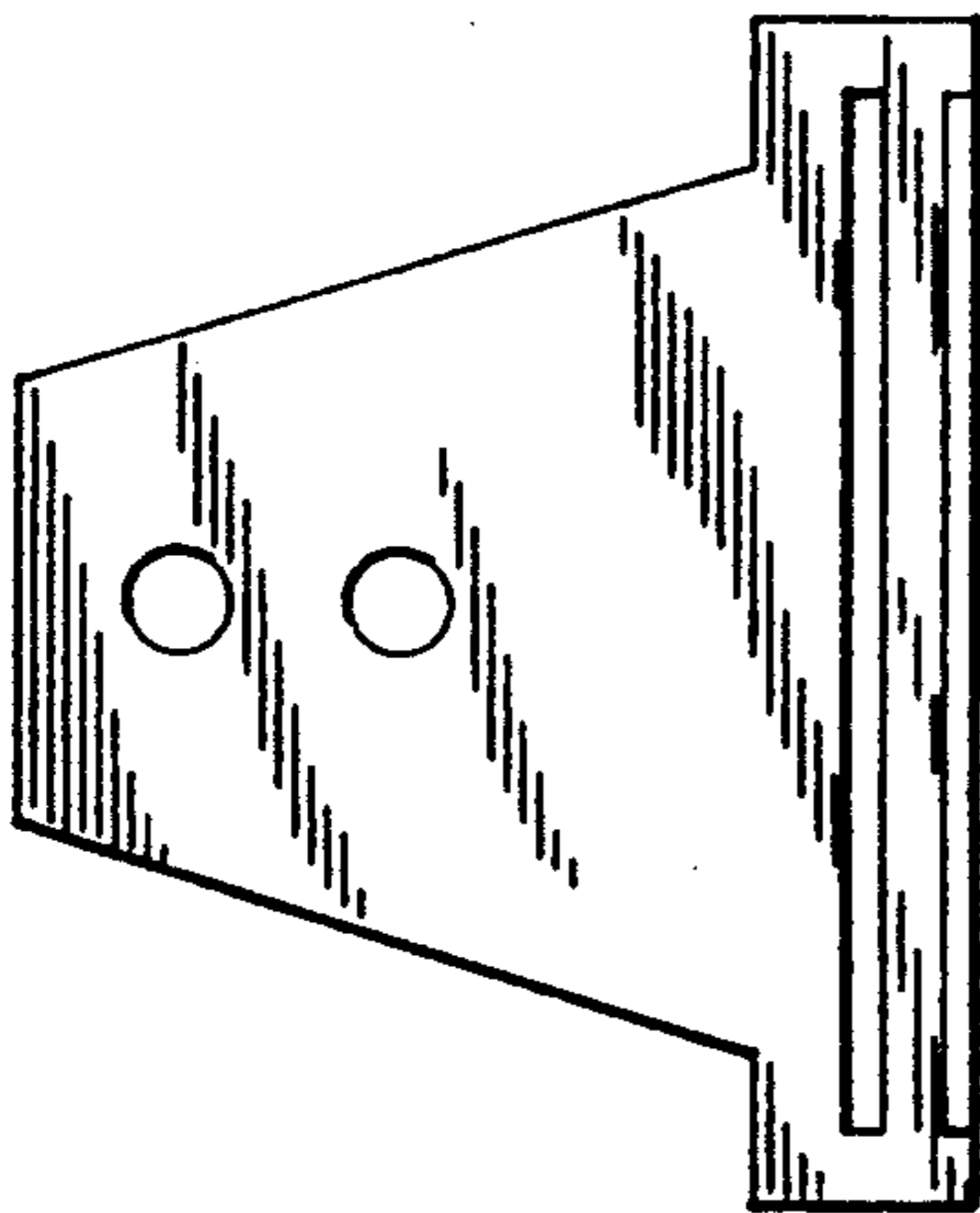




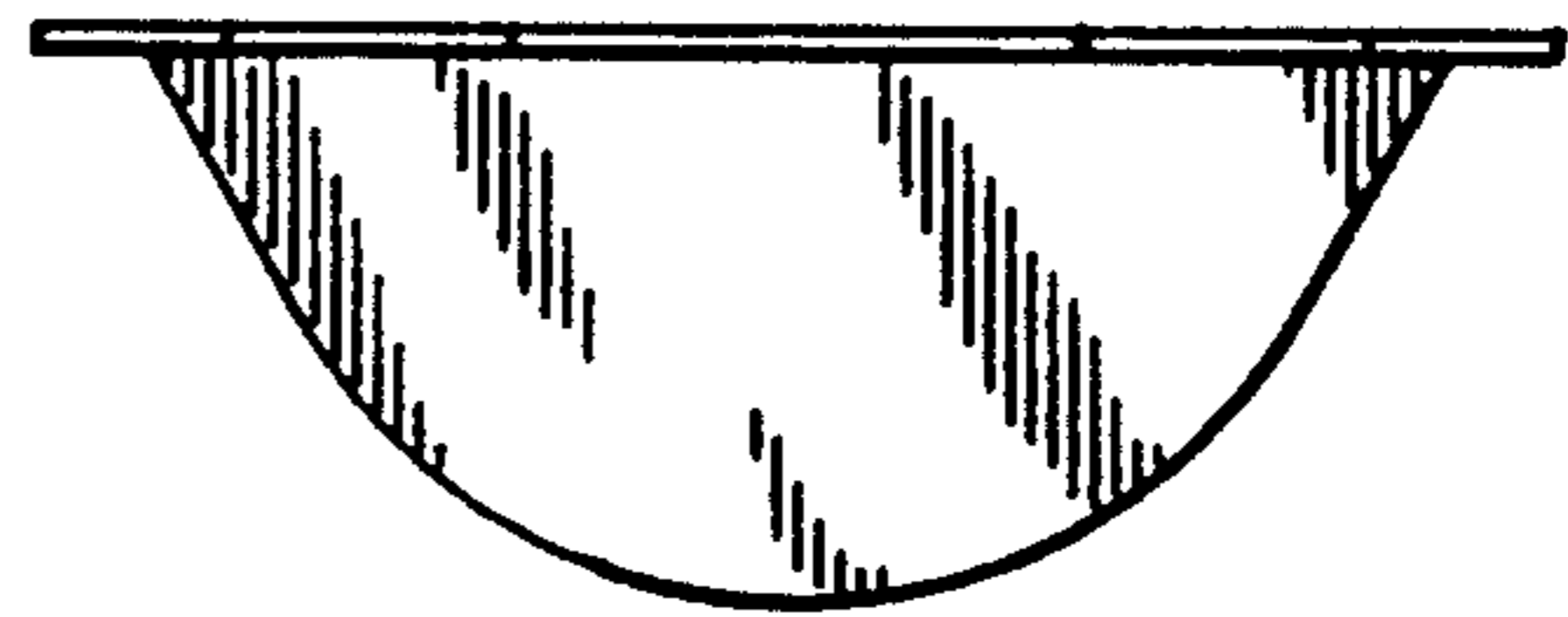
**FIG. 1**



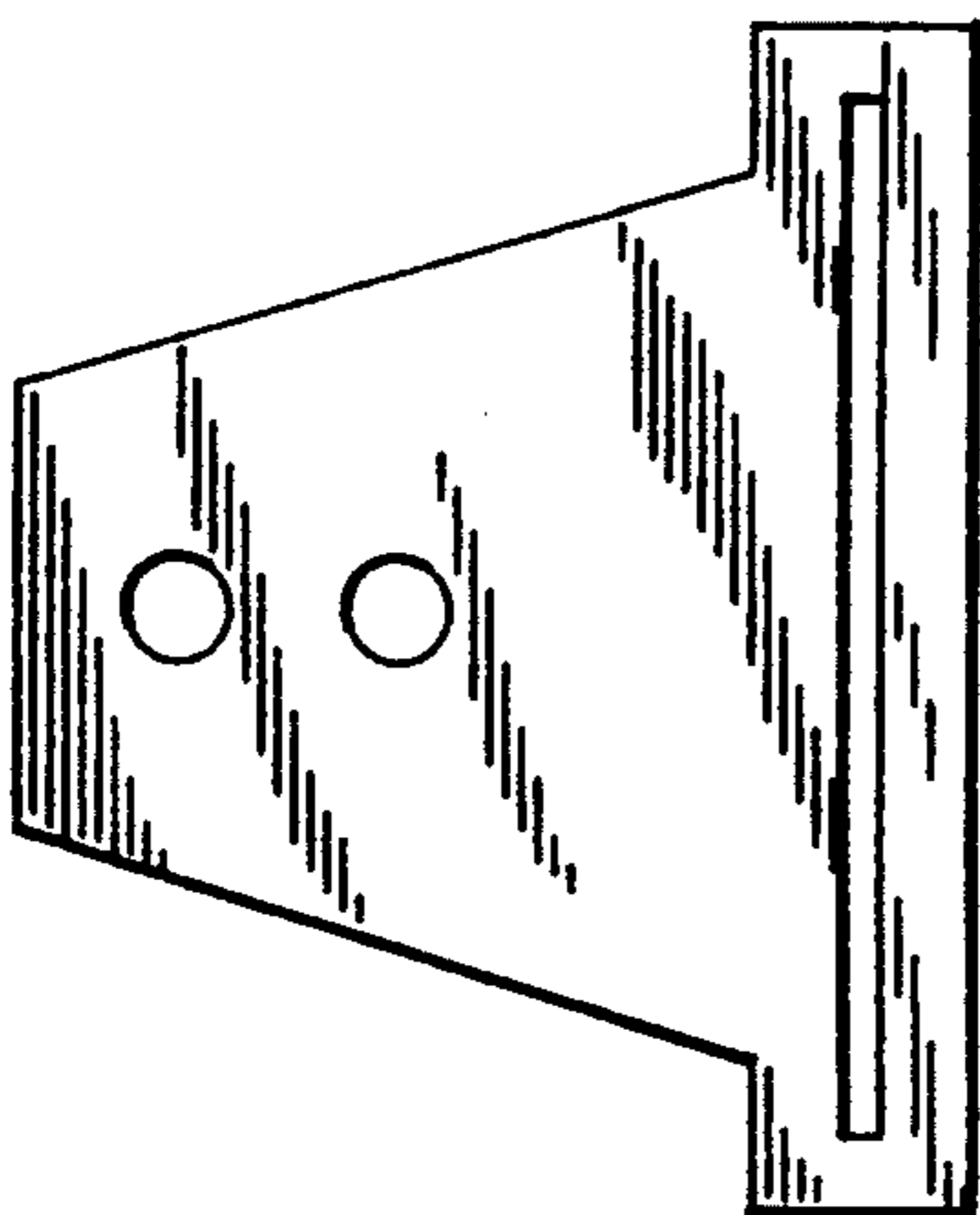
**FIG. 2**



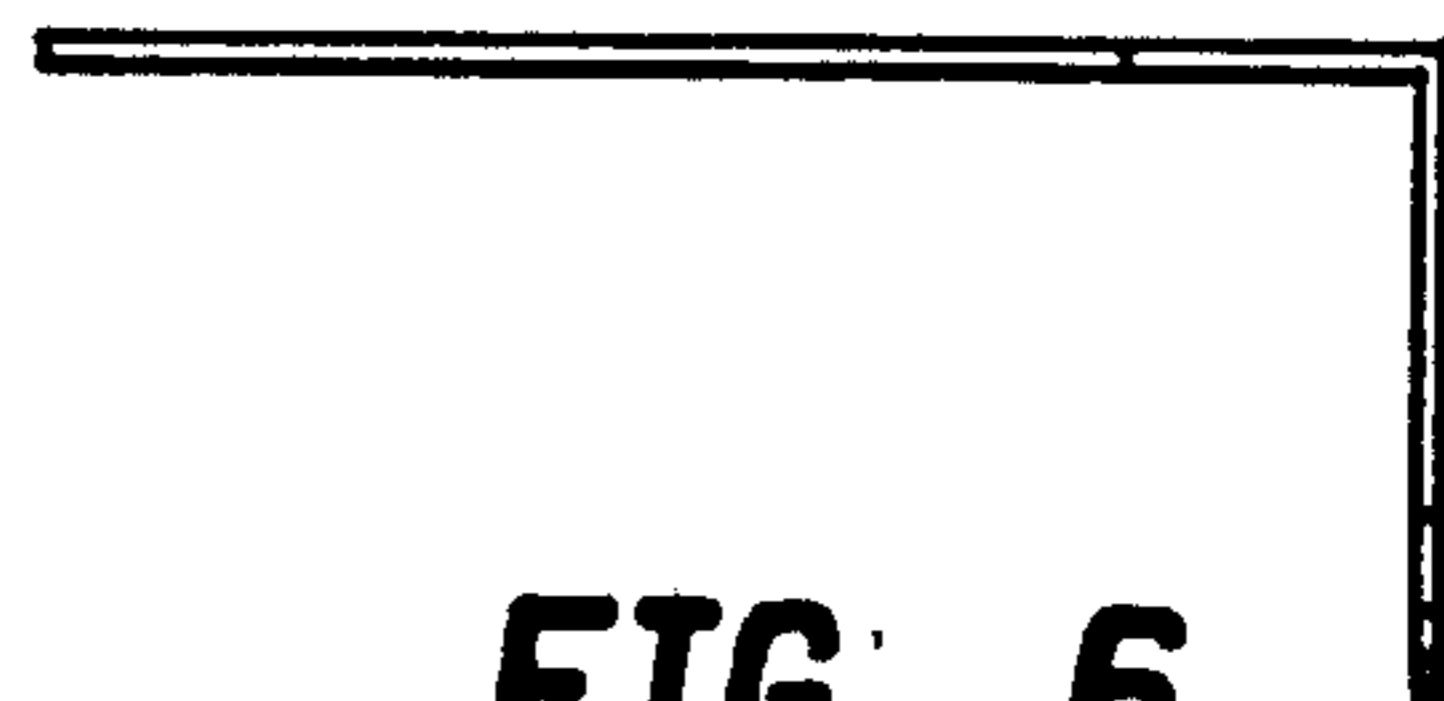
**FIG. 3**



**FIG. 4**



**FIG. 5**



**FIG. 6**