



US00D333620S

**United States Patent** [19]  
**Moore**

[11] **Patent Number: Des. 333,620**

[45] **Date of Patent: \*\* Mar. 2, 1993**

[54] **WALL-CLOCK**

[75] **Inventor: Don-Sen Moore, Taichung Hsien, Taiwan**

[73] **Assignee: Centre Clock Industry Co., Ltd., Taichung Hsien, Taiwan**

[\*\*] **Term: 14 Years**

[21] **Appl. No.: 631,072**

[22] **Filed: Dec. 18, 1990**

[52] **U.S. Cl. .... D10/29; D10/21**

[58] **Field of Search ..... D10/1-40, D10/122-132; 368/179-180, 316-317, 276-272, 285**

[56] **References Cited**

**U.S. PATENT DOCUMENTS**

D. 319,023 8/1991 Kato ..... D10/28

**OTHER PUBLICATIONS**

*Housewares-H. F. Daily*-May 7-13, 1986, p. 180-Pend. Clock at top-right.

*European Jeweler (G. Z.)*-Apr. 1984-p. 233-Clock at right.

*European Jeweler (G. Z.)*-Jul. 1987-p. 41-Clock at bottom center.

*Primary Examiner*-Nelson C. Holtje

*Attorney, Agent, or Firm*-Browdy and Neimark

[57] **CLAIM**

The ornamental design for wall-clock, as shown and described.

**DESCRIPTION**

FIG. 1 is a front elevational view of a wall-clock showing my new design;

FIG. 2 is a rear elevational view thereof;

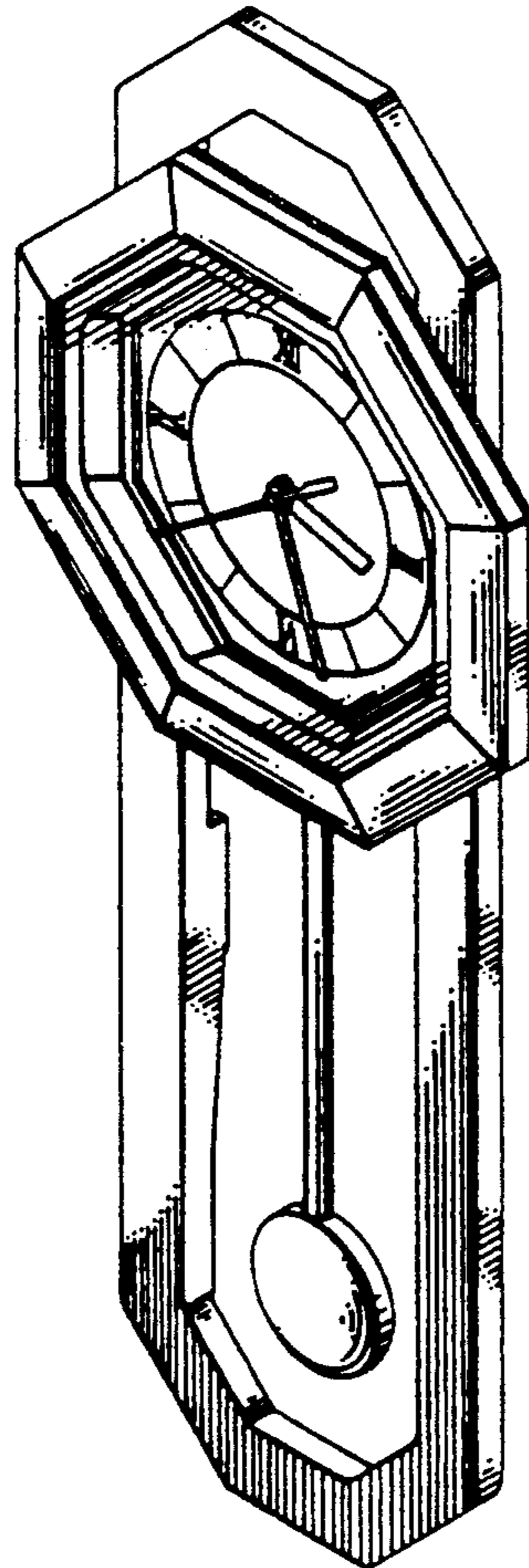
FIG. 3 is a top plan view thereof;

FIG. 4 is bottom plan view thereof;

FIG. 5 is a left side elevational view thereof;

FIG. 6 is a right side elevational view thereof; and,

FIG. 7 is a top and right front perspective view thereof.



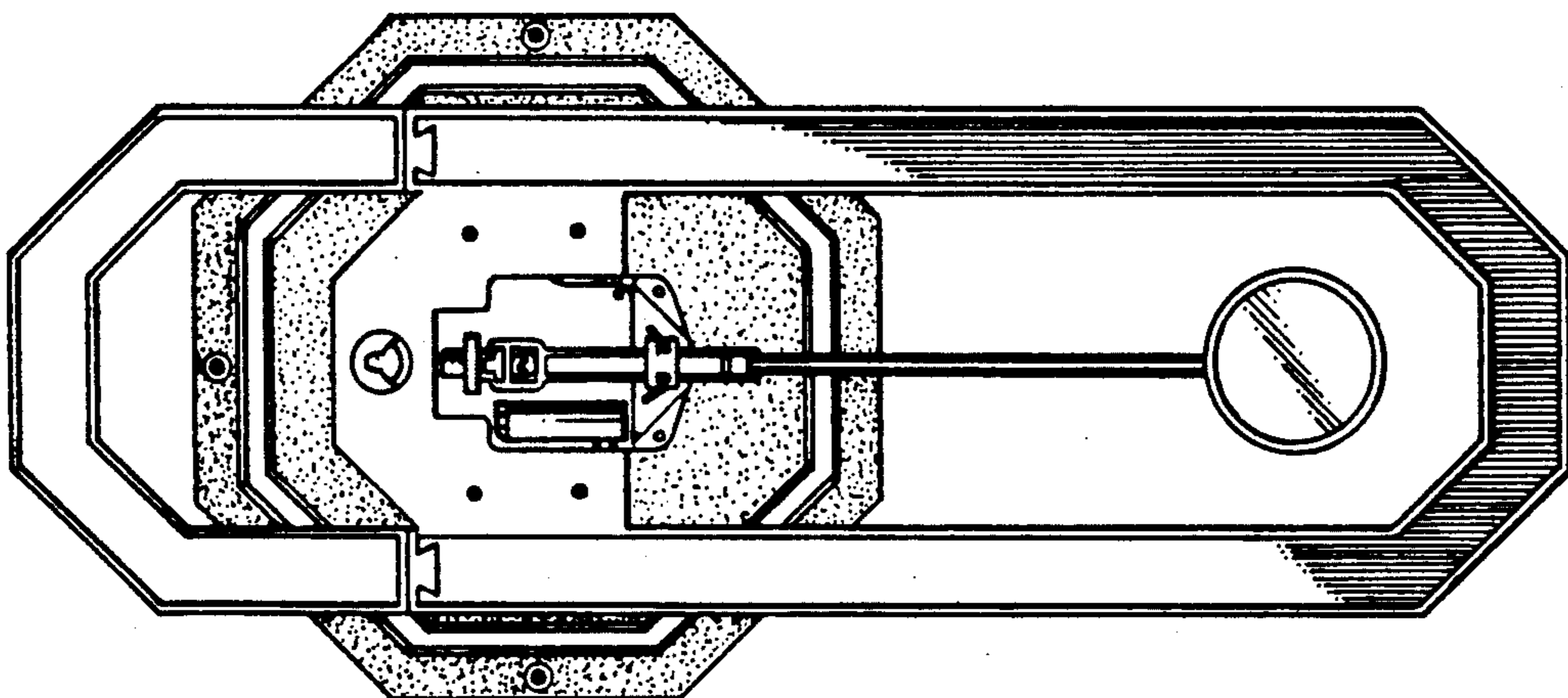


FIG. 2

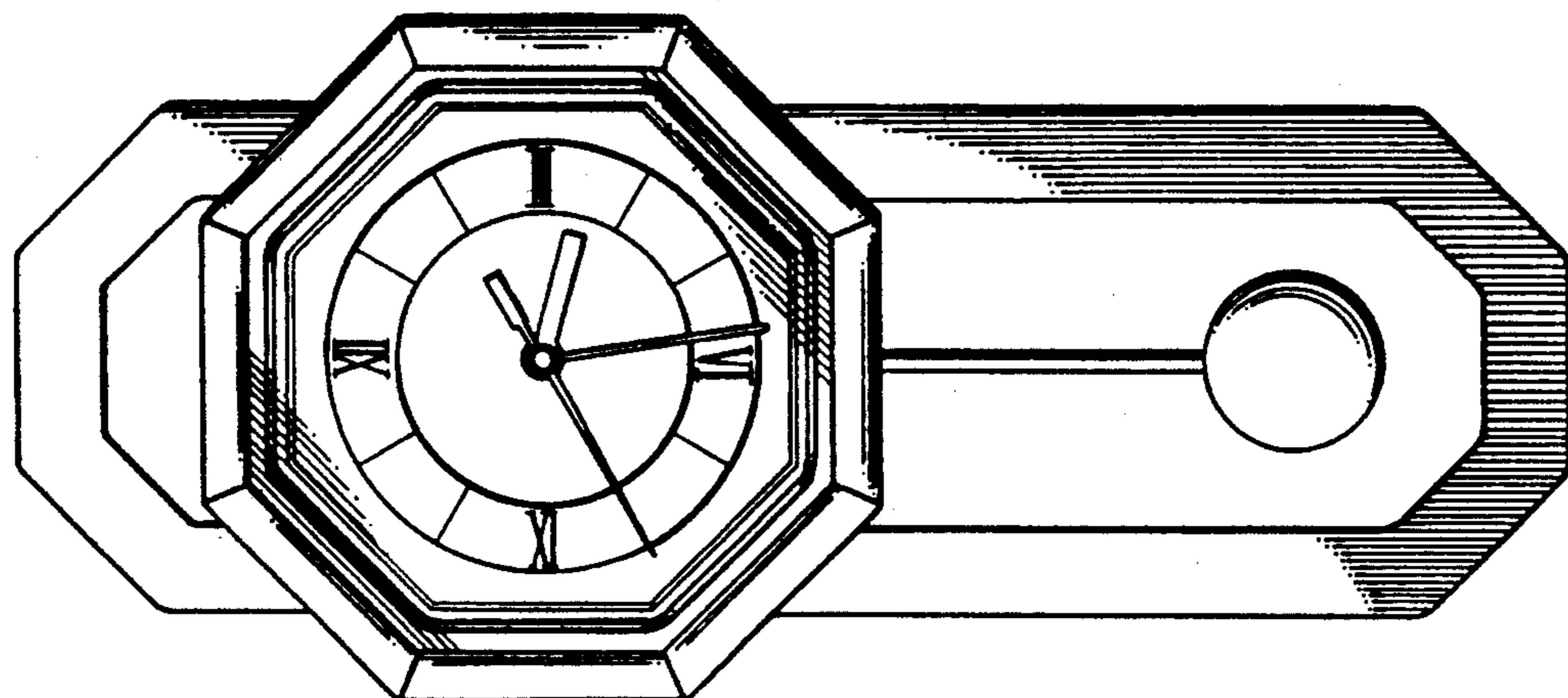


FIG. 1

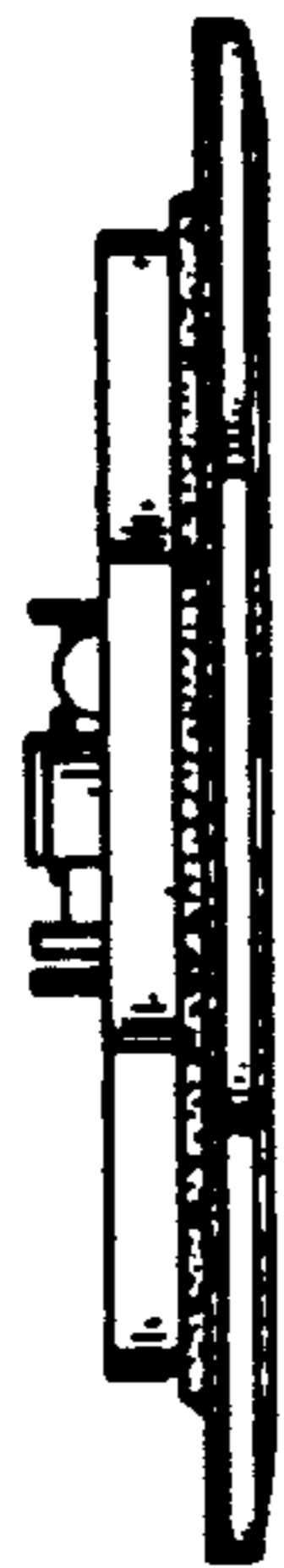


FIG. 3



FIG. 4

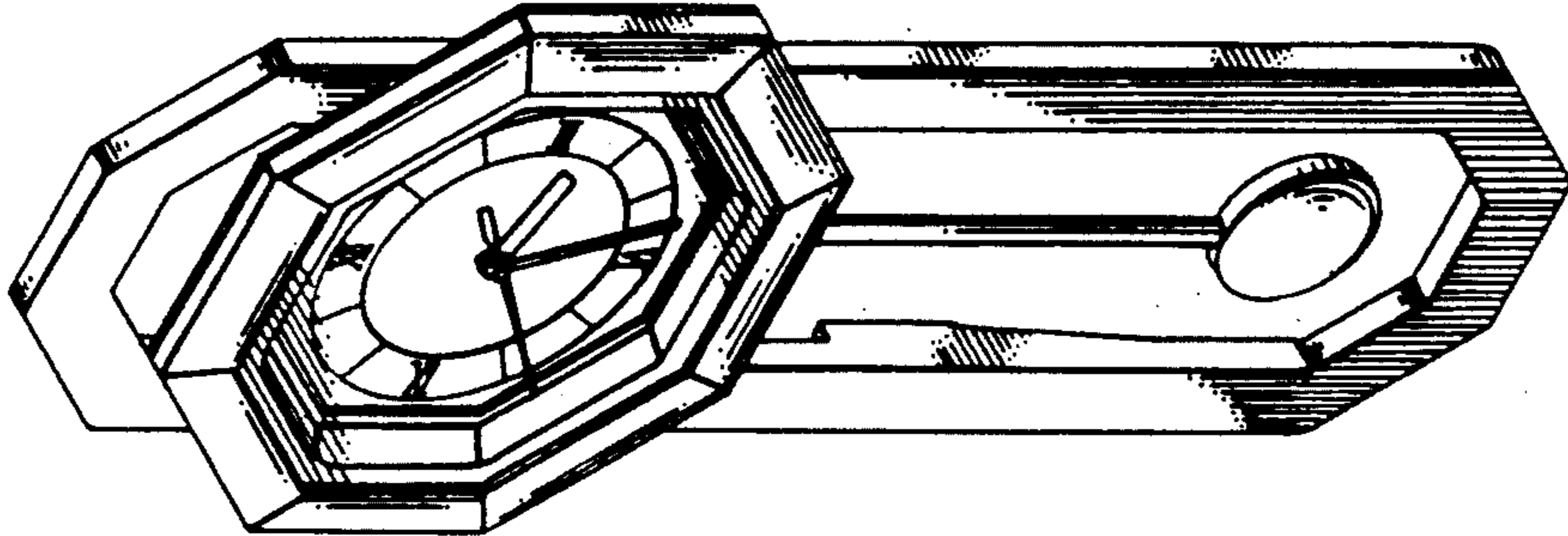


FIG. 7



FIG. 6



FIG. 5