



US00D333616S

# United States Patent [19]

[11] Patent Number: **Des. 333,616**

Perkins et al.

[45] Date of Patent: **\*\* Mar. 2, 1993**

[54] **DETACHABLE SPRAY NOZZLE FOR SPRAY CANS**

3,384,275 5/1968 Simms ..... D9/448 X  
3,580,432 5/1971 Brooks ..... 222/402.13  
4,453,650 6/1984 Witte et al. .

[75] Inventors: **Robert A. Perkins; Henry F. Hansing,**  
both of Janesville, Wis.

[73] Assignee: **Peca Products, Inc.,** Janesville, Wis.

[\*\*] Term: **14 Years**

[21] Appl. No.: **634,291**

[22] Filed: **Dec. 27, 1990**

[52] U.S. Cl. .... **D9/448**

[58] Field of Search ..... D9/300, 435, 448;  
D23/215; 239/333, 337, 396, 397;  
222/402.1-402.15

### OTHER PUBLICATIONS

Photographs of a detachable spray nozzle for spray cans previously on the market in the United States.

*Primary Examiner*—Bernard Ansher  
*Assistant Examiner*—Dominic Simone  
*Attorney, Agent, or Firm*—Foley & Lardner

### [57] CLAIM

The ornamental design for a detachable spray nozzle for spray cans, as shown and described.

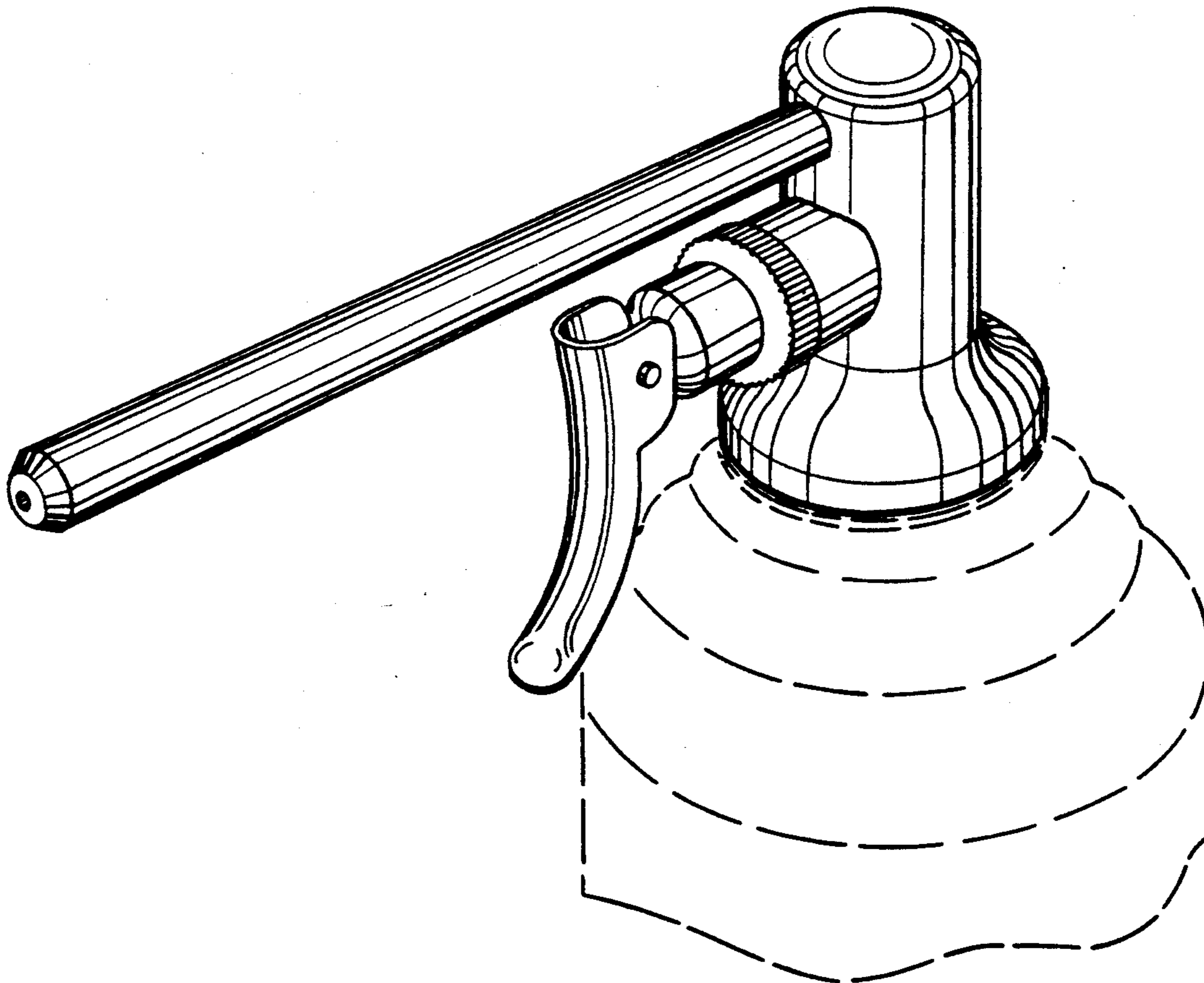
### DESCRIPTION

FIG. 1 is a perspective view of a detachable spray nozzle for spray cans showing our new design, the can shown in broken lines for illustrative purposes only; FIG. 2 is a front elevational view thereof; FIG. 3 is a rear elevational view thereof; FIG. 4 is a left side elevational view thereof, the side opposite being substantially a mirror image; FIG. 5 is a top plan view thereof; and, FIG. 6 is a bottom plan view thereof.

### [56] References Cited

#### U.S. PATENT DOCUMENTS

D. 225,619	12/1972	Bruce et al. ....	D9/448
D. 234,247	2/1975	Schafer .....	D9/300
D. 274,794	7/1984	Witte .	
D. 317,562	6/1991	Lami .....	D9/300
3,116,856	1/1964	Prussin et al. ....	D9/448 X
3,159,319	12/1964	Parish .....	222/402.13
3,172,582	3/1965	Belpedio .....	D9/448 X



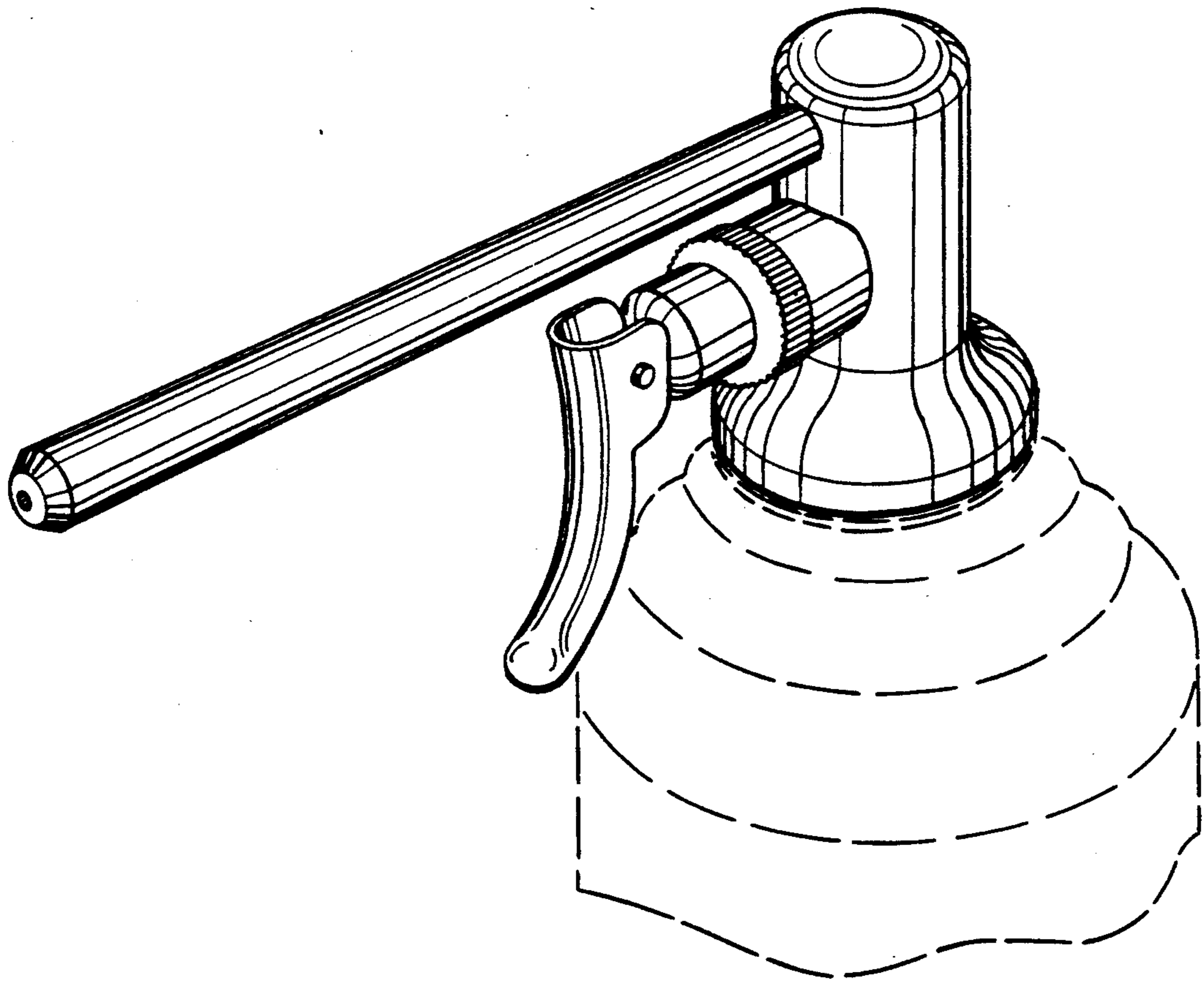


FIG. 1

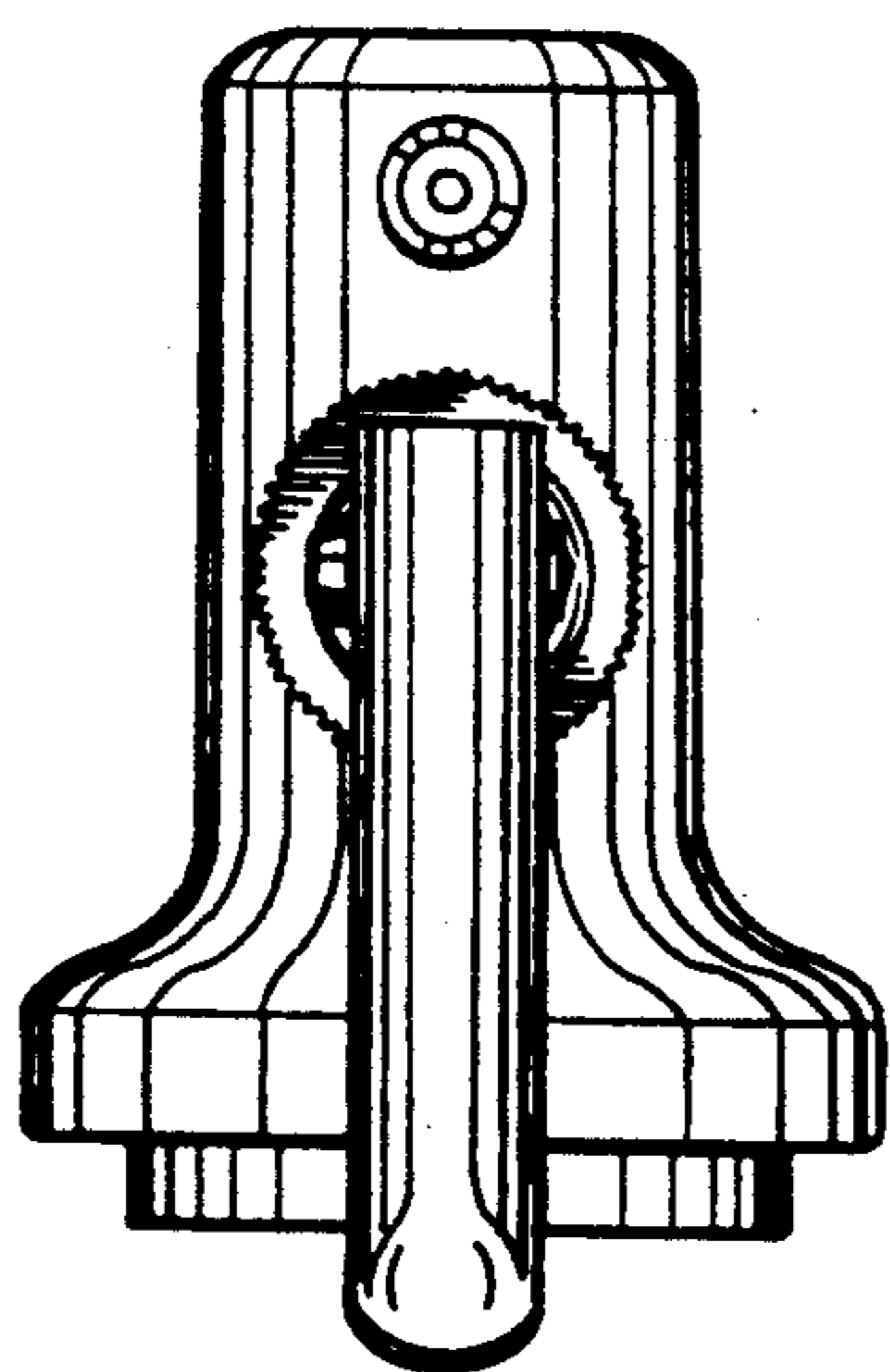


FIG. 2

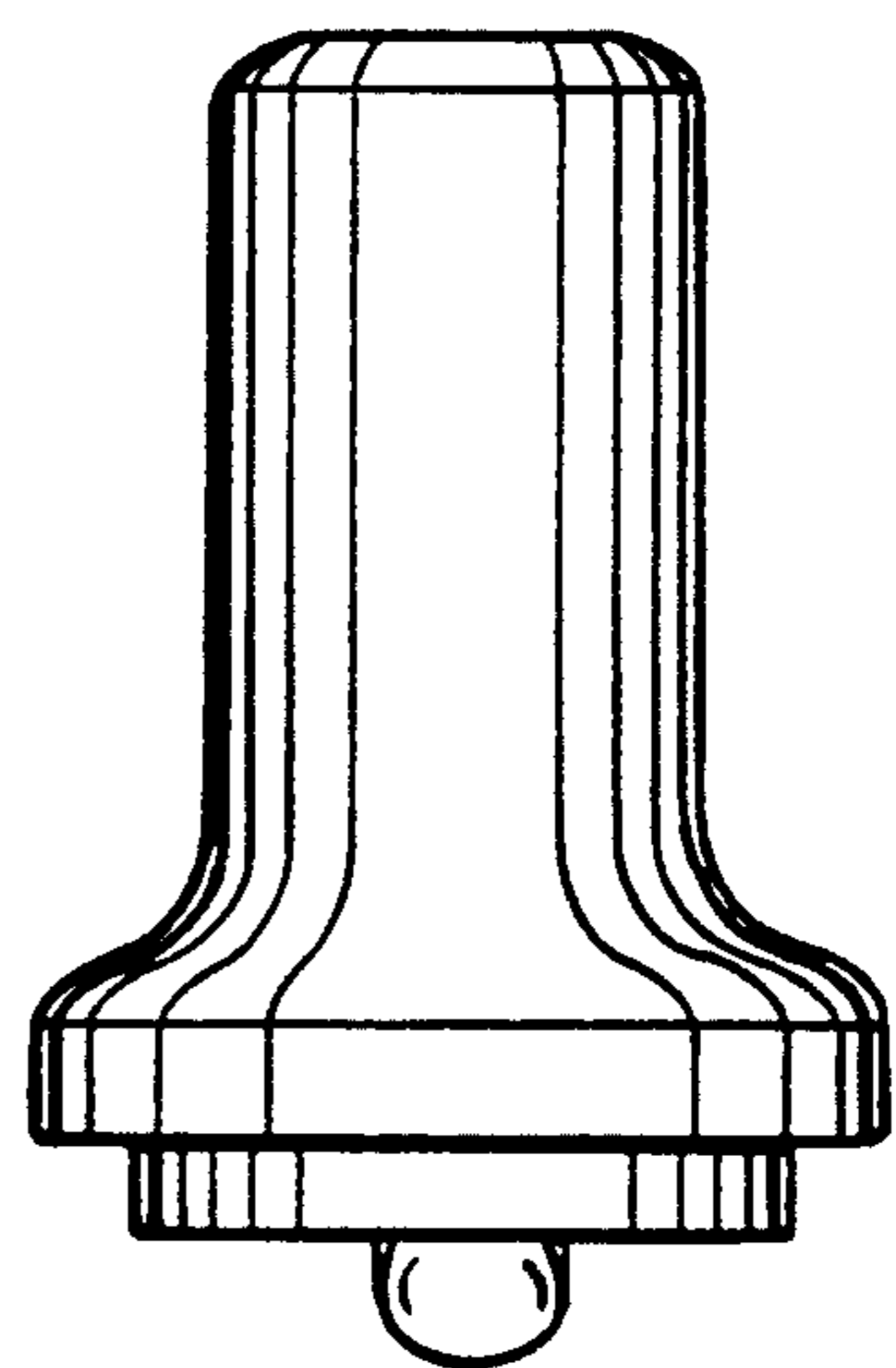


FIG. 3

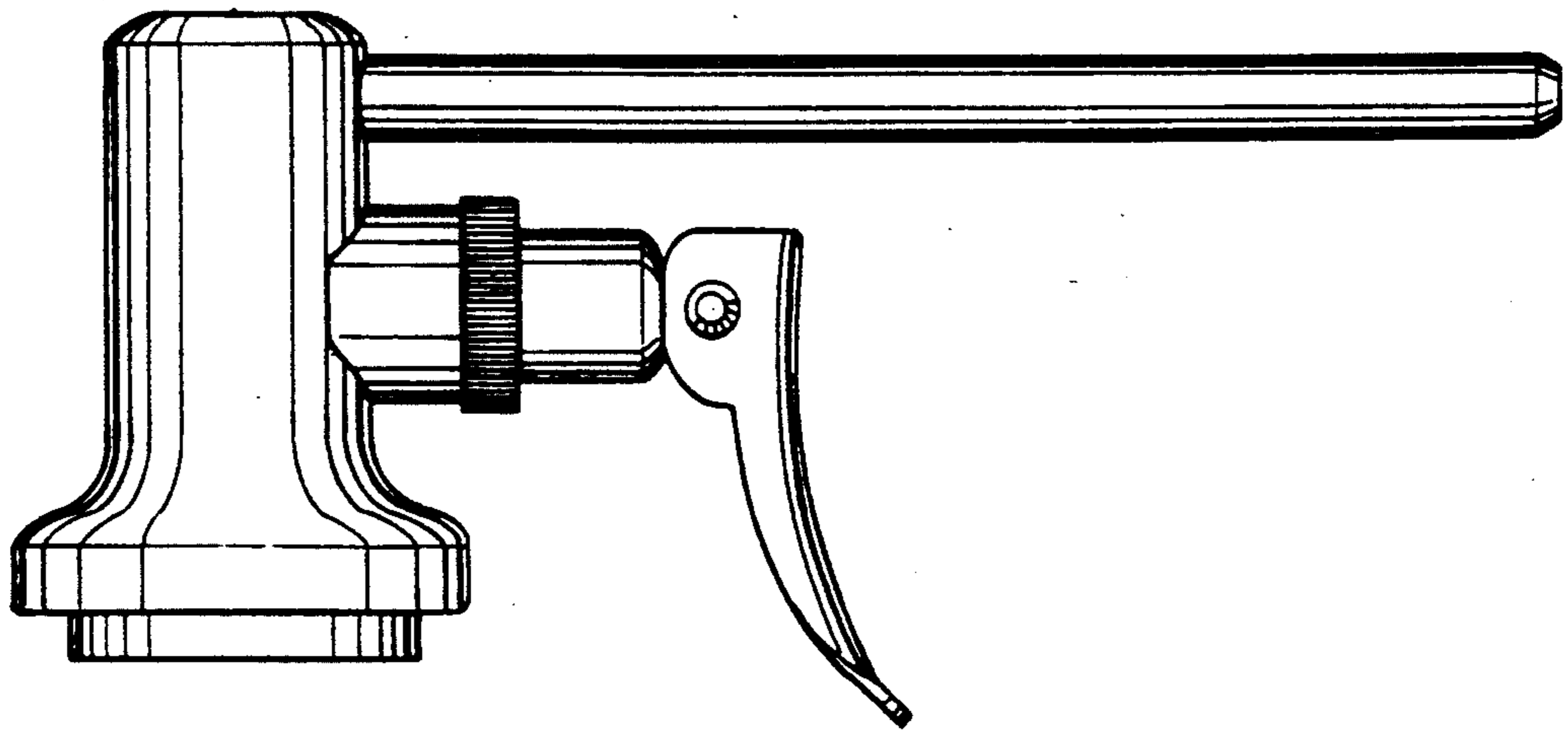


FIG. 4

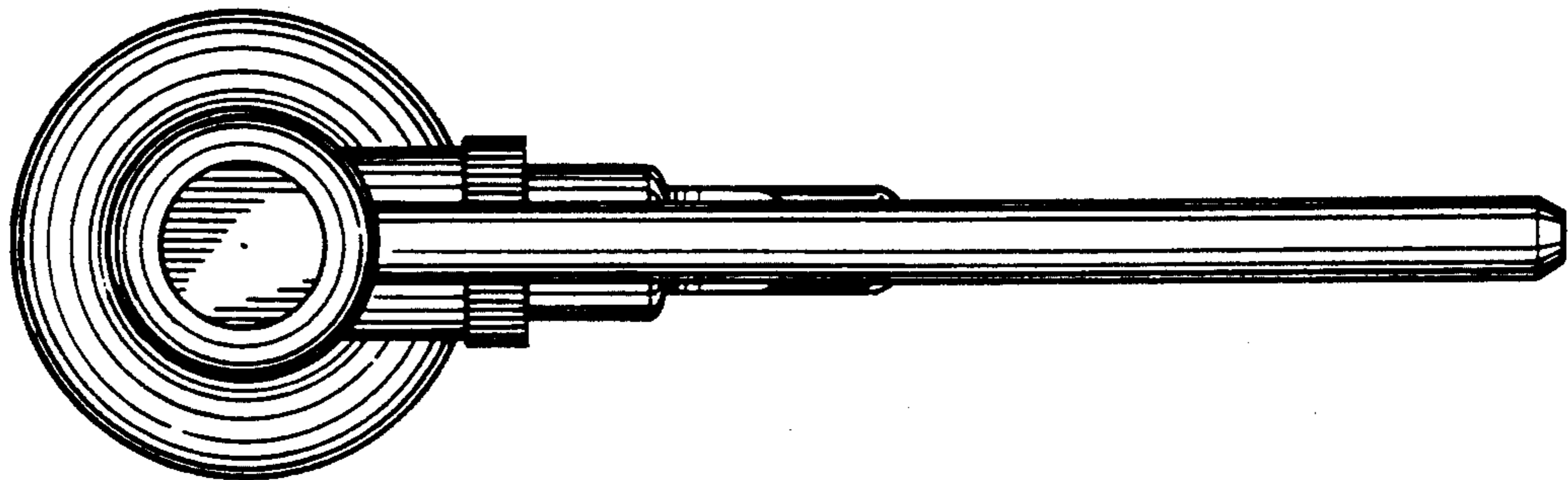


FIG. 5

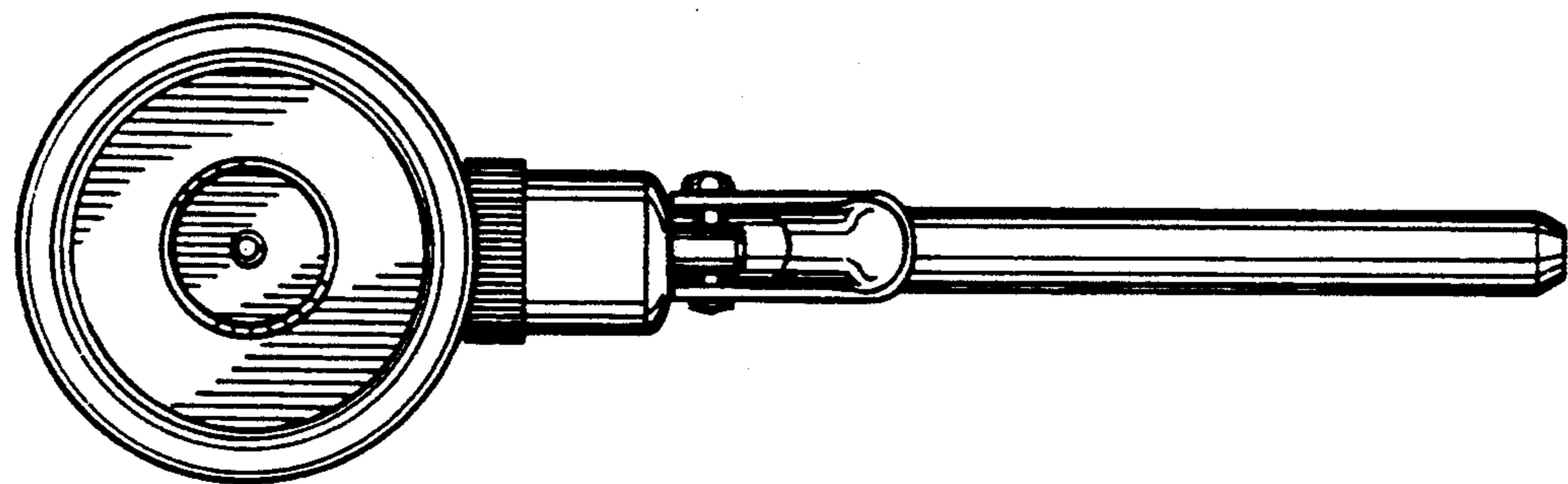


FIG. 6