



US00D333608S

United States Patent [19]

Yisrael et al.

[11] Patent Number: **Des. 333,608**

[45] Date of Patent: **** Mar. 2, 1993**

[54] TUBE DISPENSER

[75] Inventors: **Yosef Yisrael; Mordechai Raviv**, both of Eilat, Israel

[73] Assignee: **R. Y. Patents Development & Applications Ltd.**, Eilat, Israel

[**] Term: **14 Years**

[21] Appl. No.: **728,067**

[22] Filed: **Jul. 10, 1991**

[30] **Foreign Application Priority Data**

Jan. 15, 1991 [IL]	Israel	17331
[52] U.S. Cl.		D6/541
[58] Field of Search		D6/541; 206/277; 222/95-96, 98-99, 100-103

[56] **References Cited**

U.S. PATENT DOCUMENTS

D. 317,689	6/1991	Curtis	D6/541
D. 320,520	10/1991	Wolf et al.	D6/541
3,081,001	3/1963	Barnes	222/99 X
3,217,930	11/1965	Battaglini	222/99 X
3,885,708	5/1975	Parry	222/100

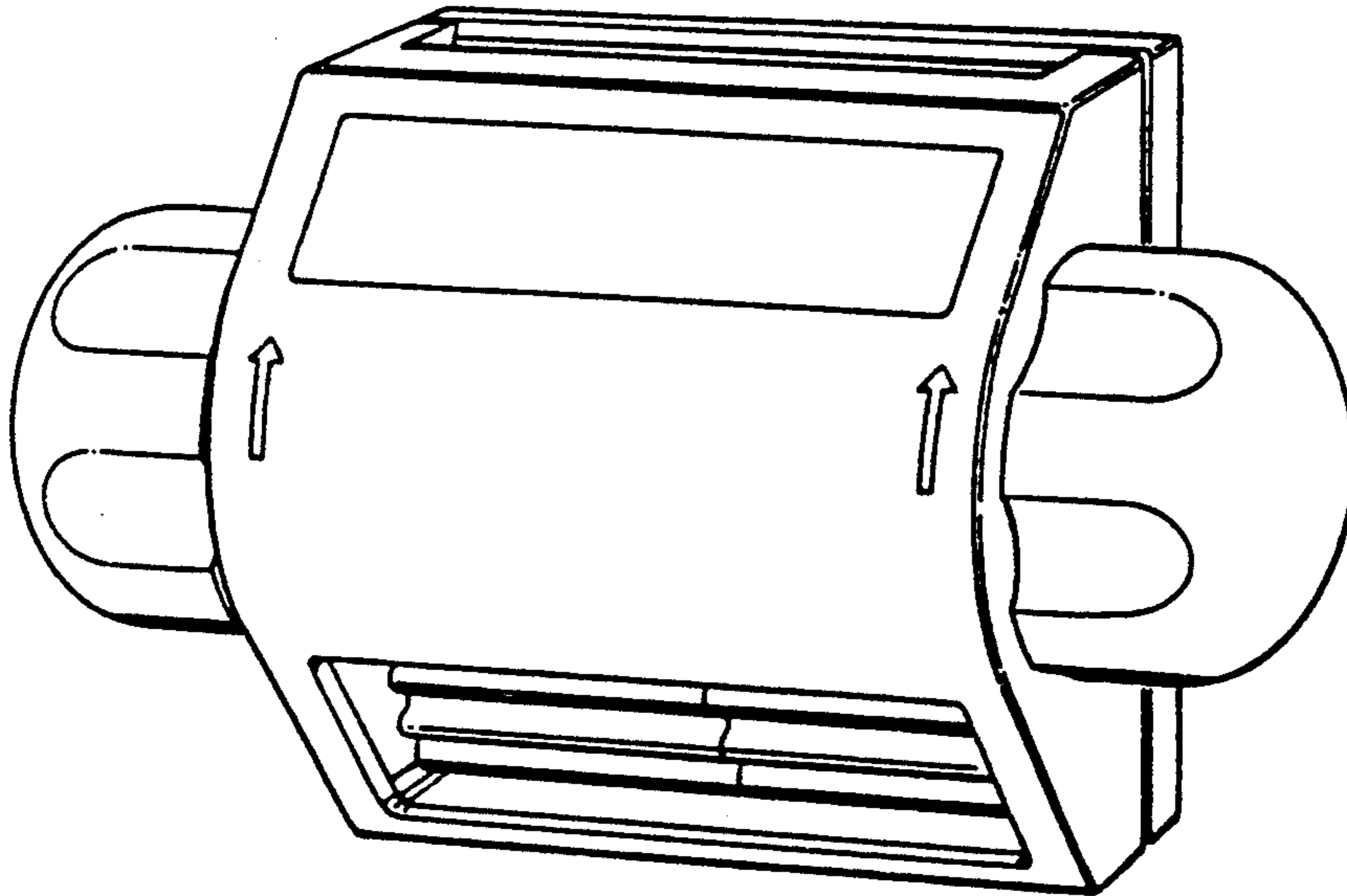
Primary Examiner—Brian N. Vinson
Attorney, Agent, or Firm—Browdy and Neimark

[57] **CLAIM**

The ornamental design for a tube dispenser, as shown and described.

DESCRIPTION

FIG. 1 is a top plan view of a tube dispenser showing my new design;
 FIG. 2 is a front elevational view thereof;
 FIG. 3 is a bottom plan view thereof;
 FIG. 4 is a right side elevational view thereof, the left side being a mirror image of that shown; and,
 FIG. 5 is a top, front, and right side perspective view thereof.



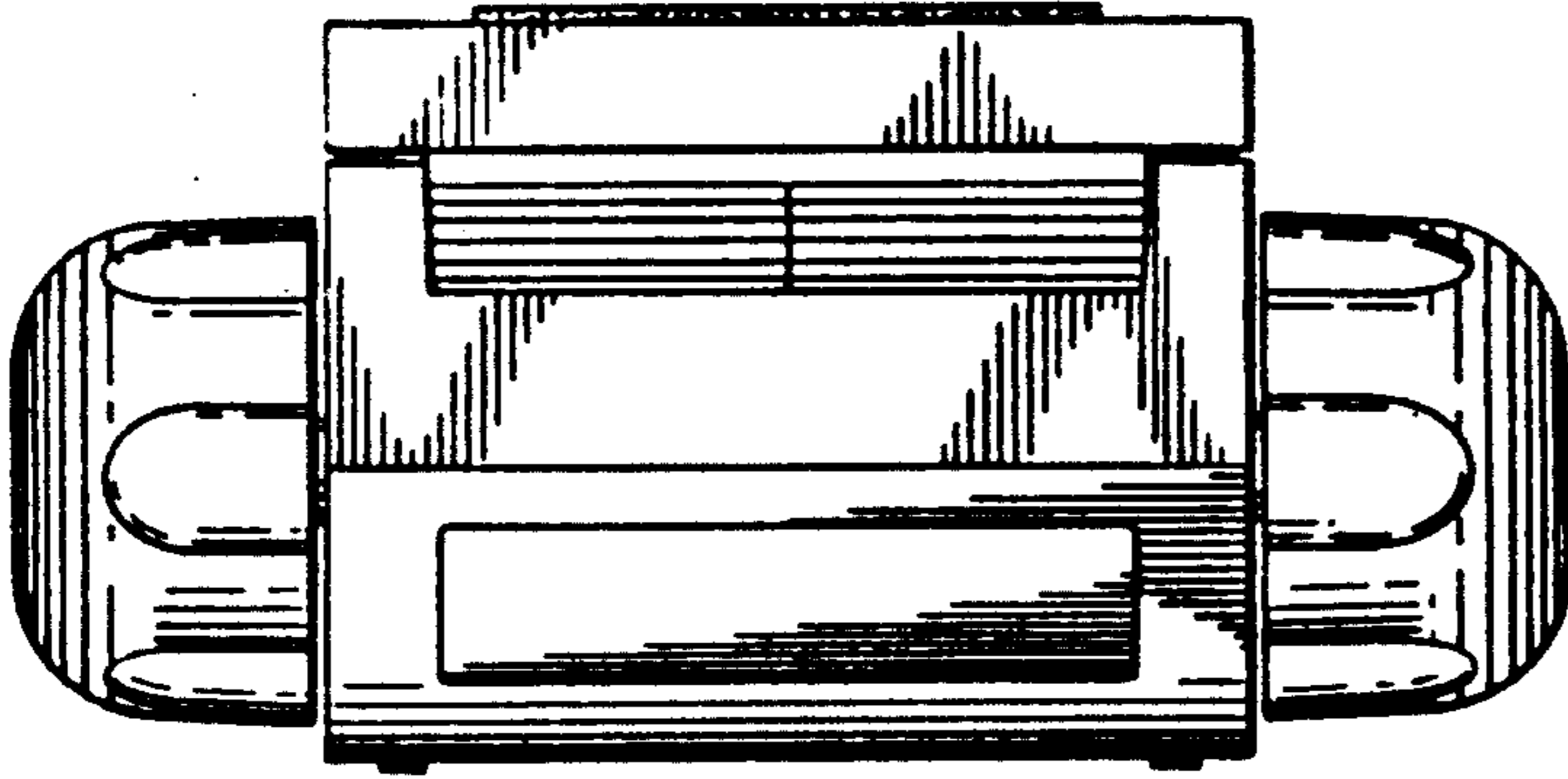


FIG. 1

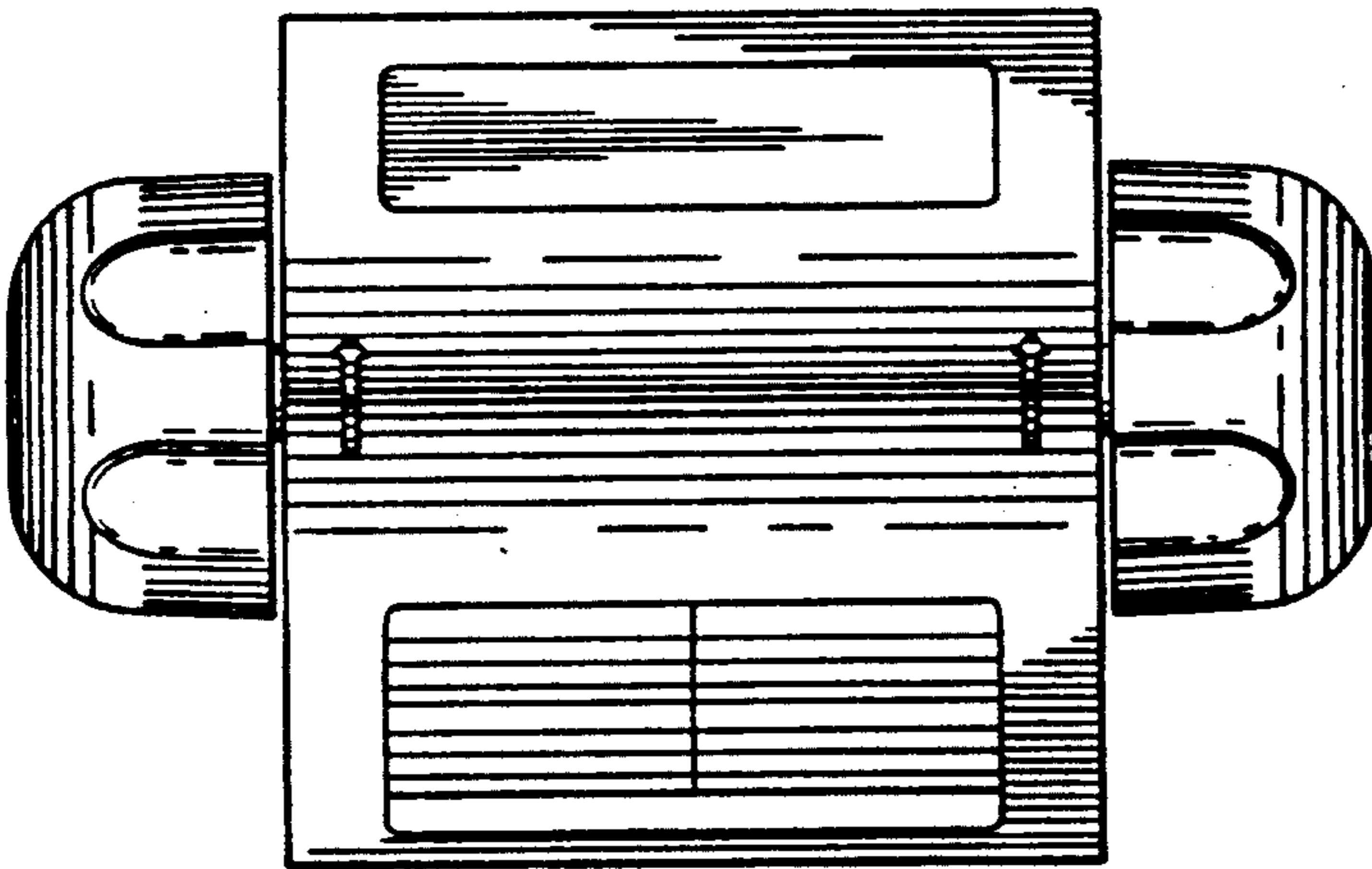


FIG. 2

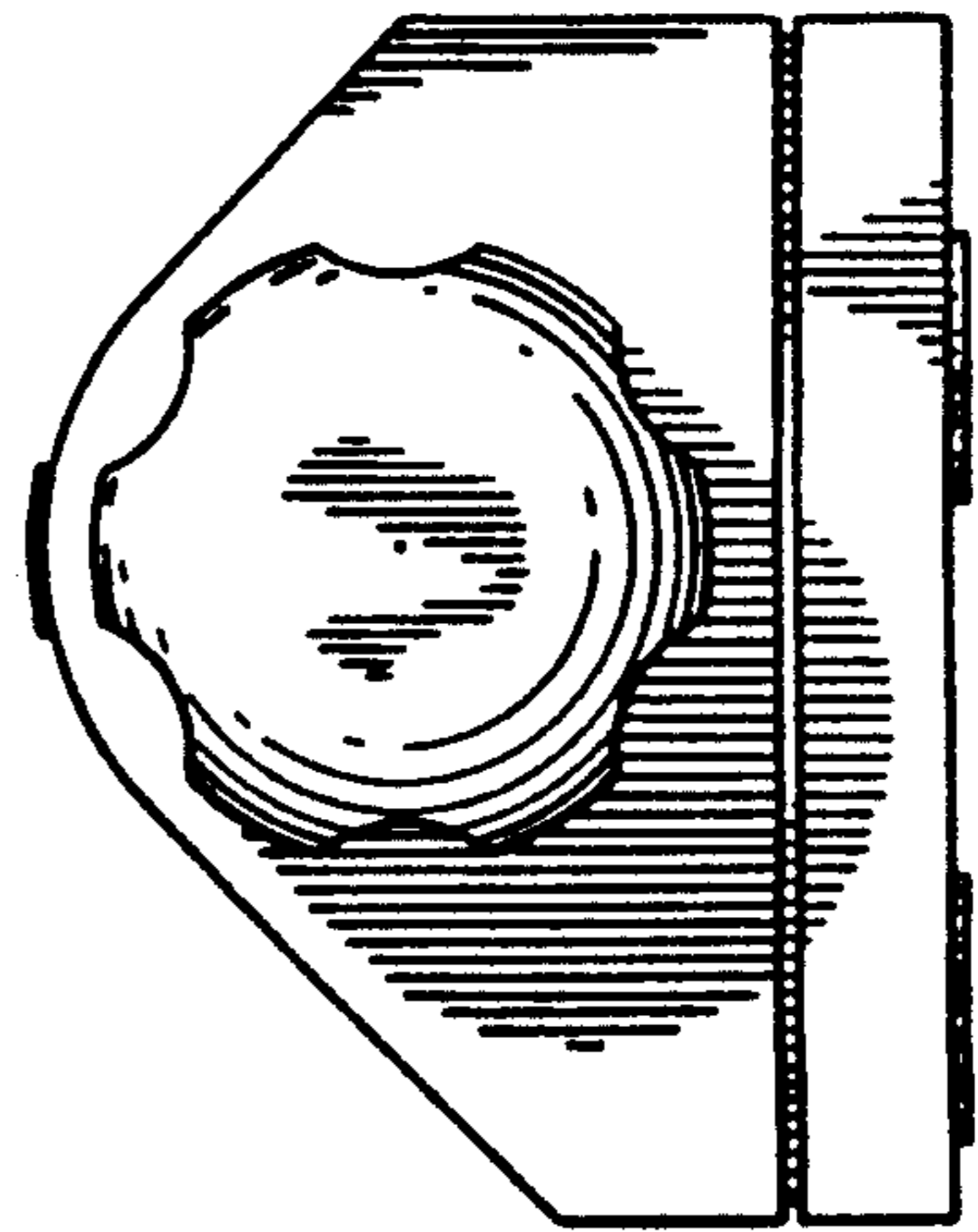


FIG. 4

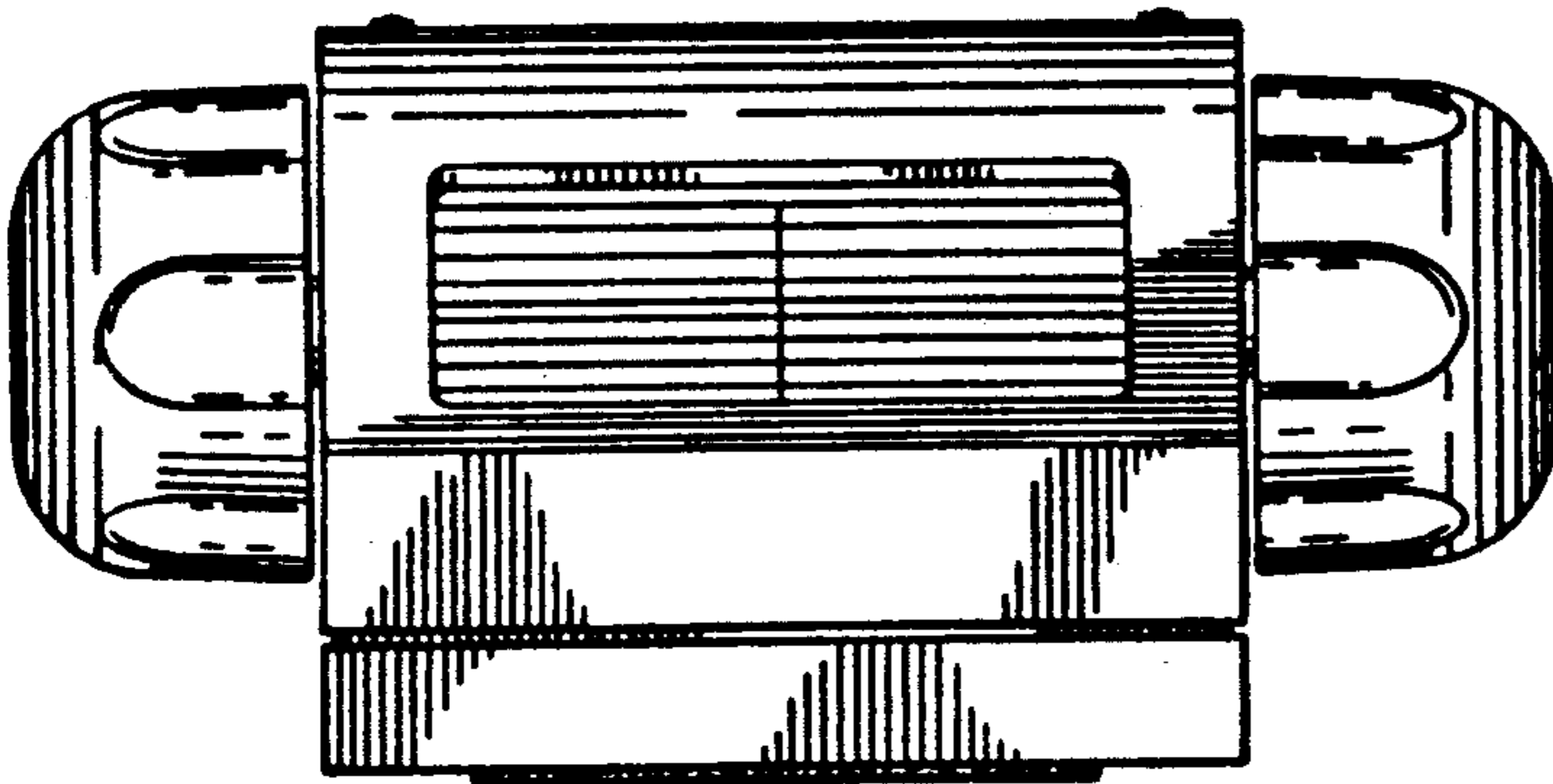


FIG. 3

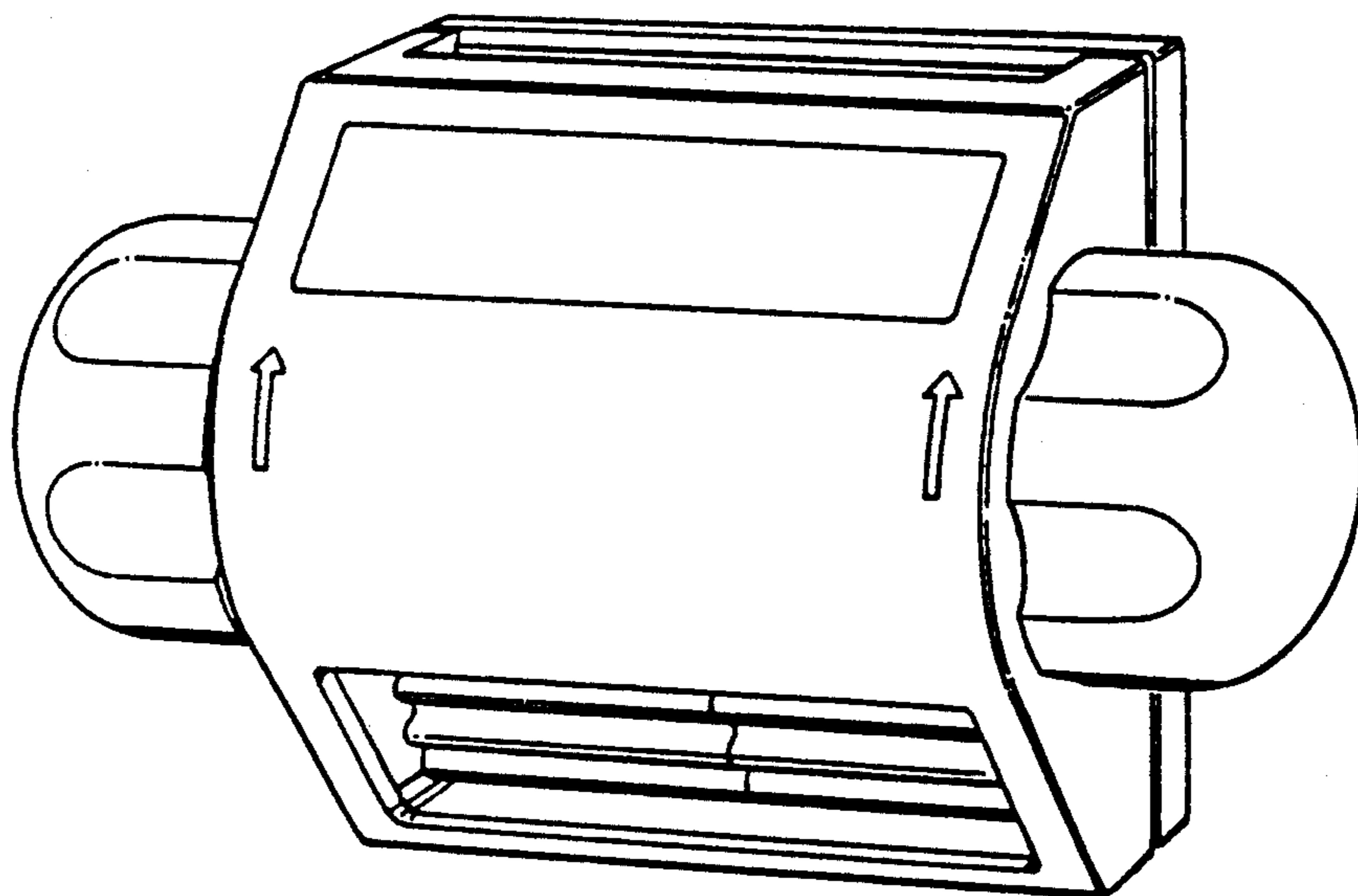


FIG. 5