



US00D333607S

# United States Patent [19]

[11] Patent Number: **Des. 333,607**

Isler

[45] Date of Patent: **\*\* Mar. 2, 1993**

[54] **CORNER FITTING OF A TONNEAU COVER MOUNTING FRAME FOR THE BED OF A PICKUP TRUCK**

D. 307,078	4/1990	Guillemet .....	D6/300
D. 317,400	6/1991	Loew .....	D6/300
3,866,380	2/1975	Benson .....	403/231
4,730,866	3/1988	Nett .....	296/100

[76] Inventor: **Mark Isler, 8447 Tod Ave., SW., Lordstown, Ohio 44481**

### FOREIGN PATENT DOCUMENTS

[\*\*] Term: **14 Years**

2531794	2/1977	Fed. Rep. of Germany .....	403/295
1204894	8/1959	France .....	403/205

[21] Appl. No.: **399,293**

*Primary Examiner*—James M. Gandy

[22] Filed: **Aug. 28, 1989**

### [57] CLAIM

[52] U.S. Cl. .... **D8/382; D6/300; D12/156**

The ornamental design for a corner fitting of a tonneau cover mounting frame for the bed of a pickup truck, as shown.

[58] Field of Search ..... **D12/156; D8/349, 356, D8/382; D6/300, 495; D25/119, 121, 136, 102, 199; D21/108; 403/205, 231, 295, 403; 296/99.1, 100, 102**

### DESCRIPTION

### [56] References Cited

#### U.S. PATENT DOCUMENTS

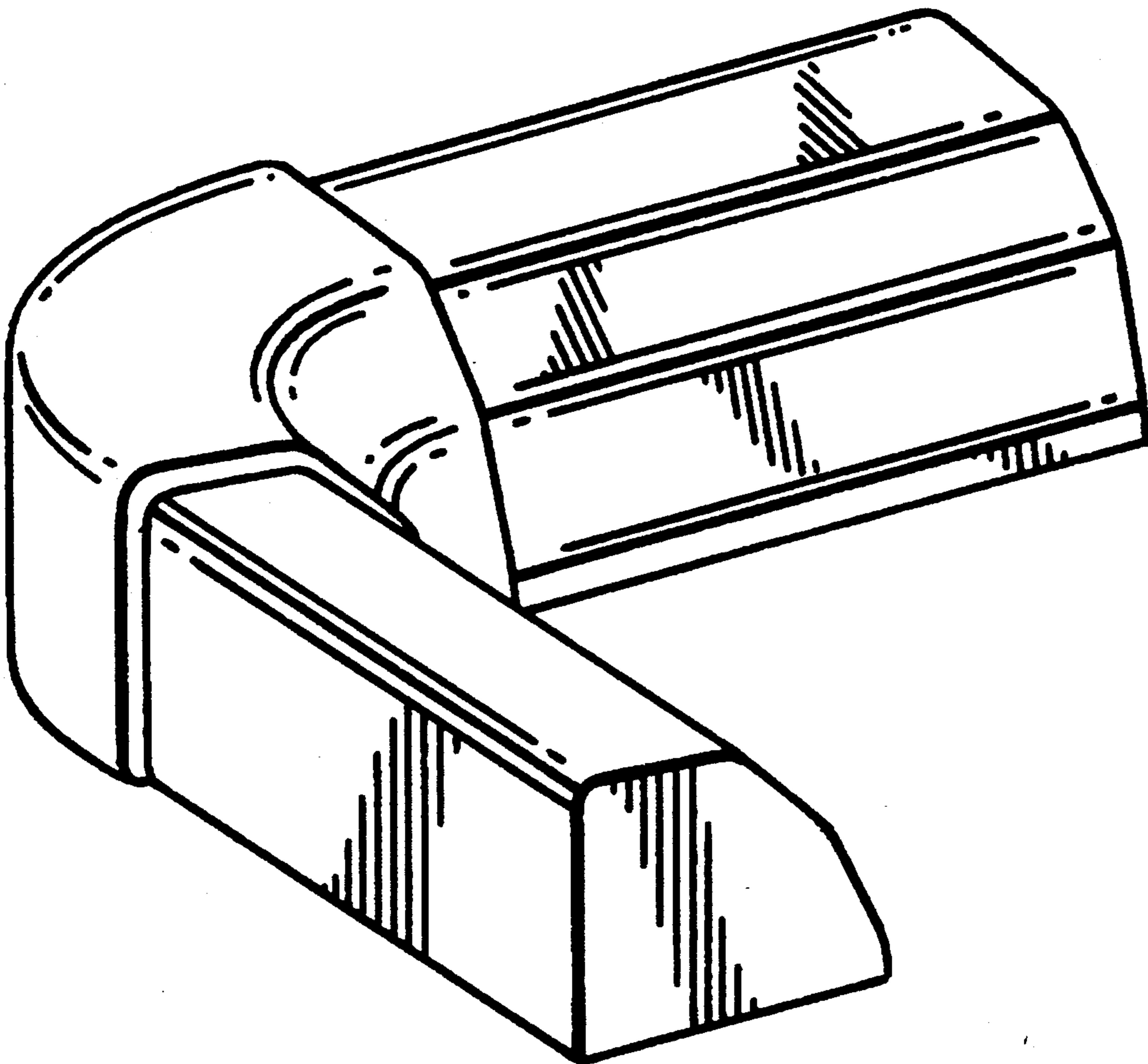
D. 303,457 9/1989 Stewart ..... D6/300

FIG. 1 is a perspective view of the corner fitting of a tonneau cover mounting frame for the bed of a pickup truck;

FIG. 2 is a top plan view thereof;

FIG. 3 is a bottom plan view thereof; and,

FIG. 4 is an end elevation view thereof.



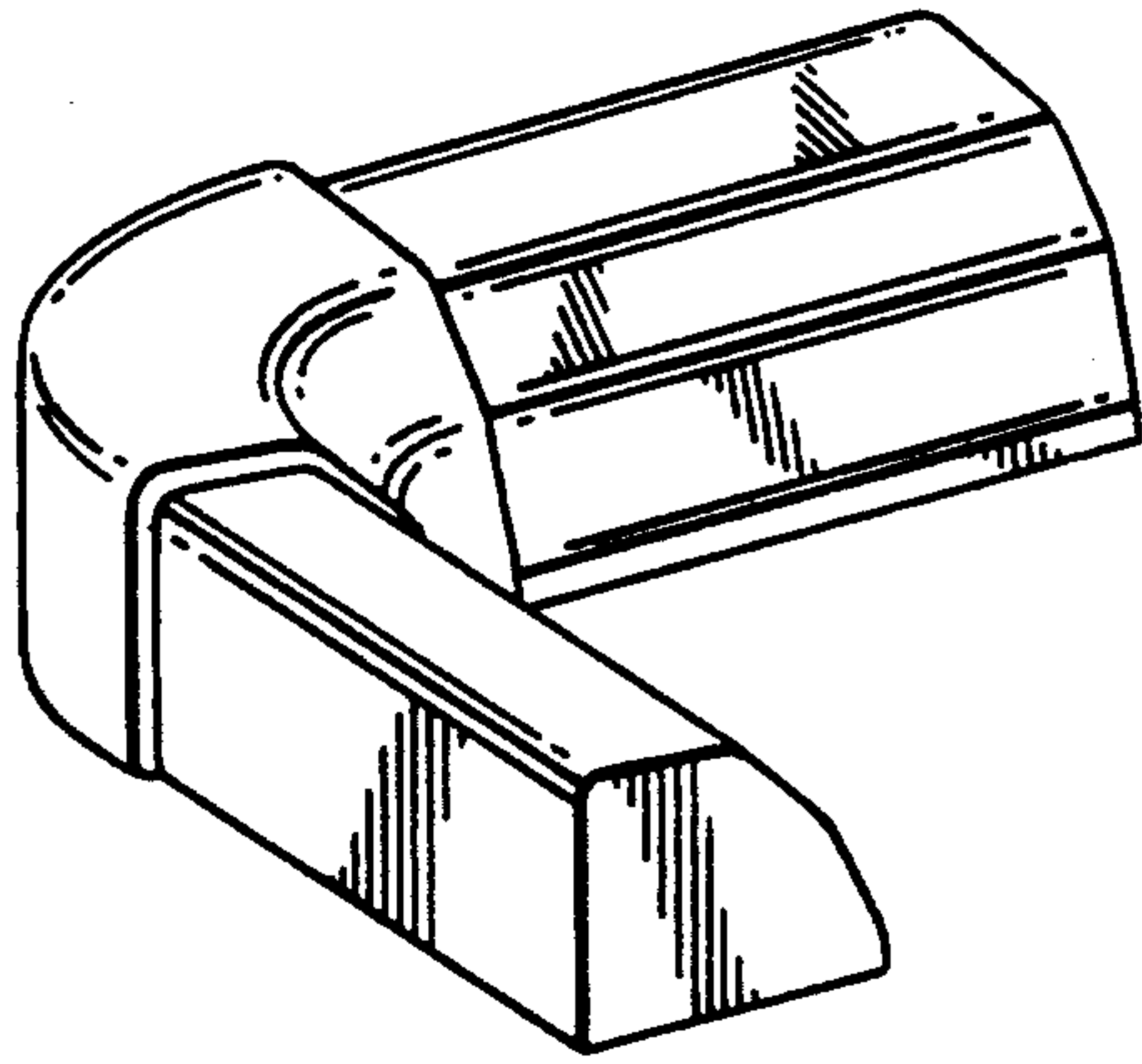


FIG. 1

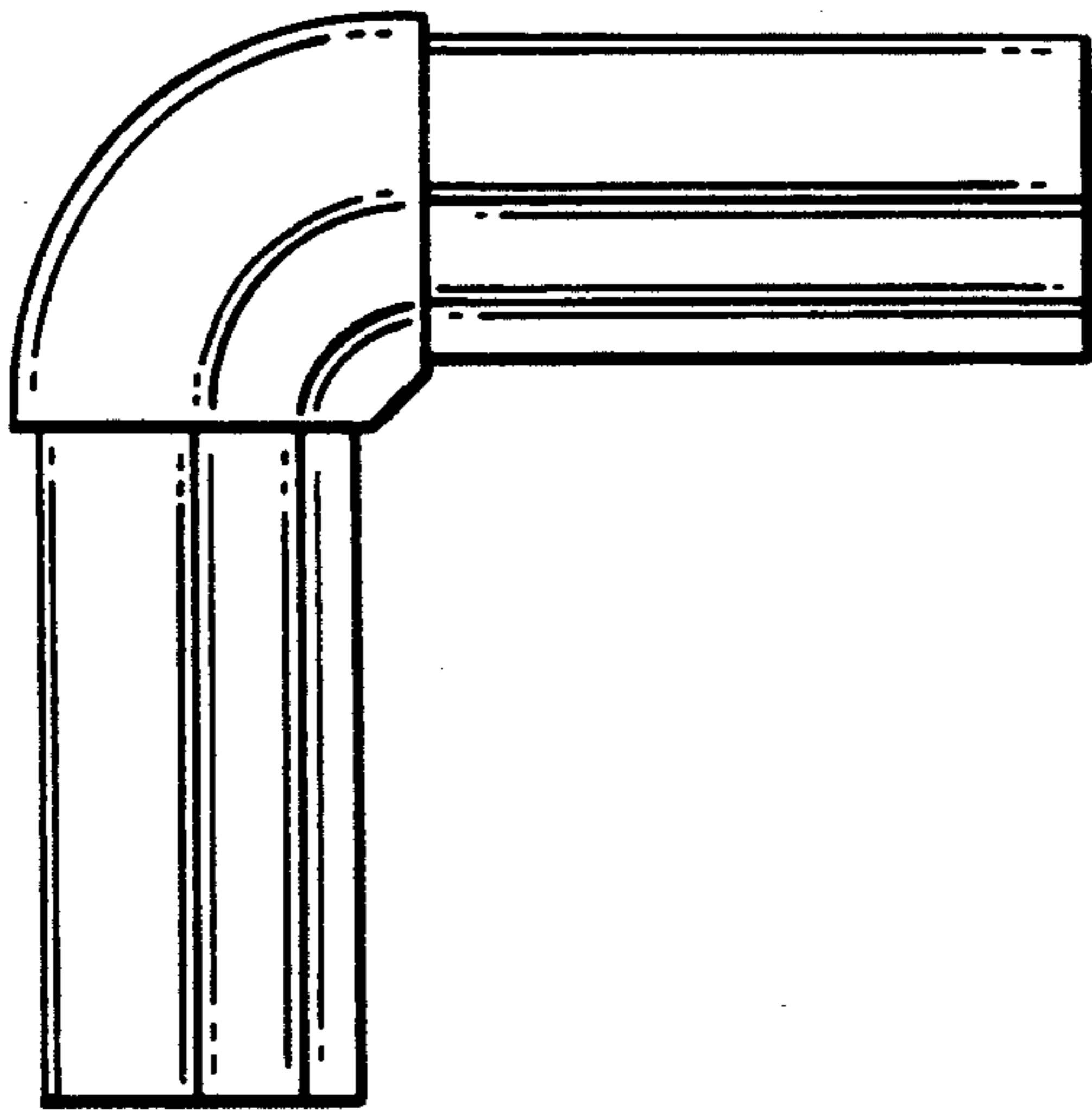


FIG. 2

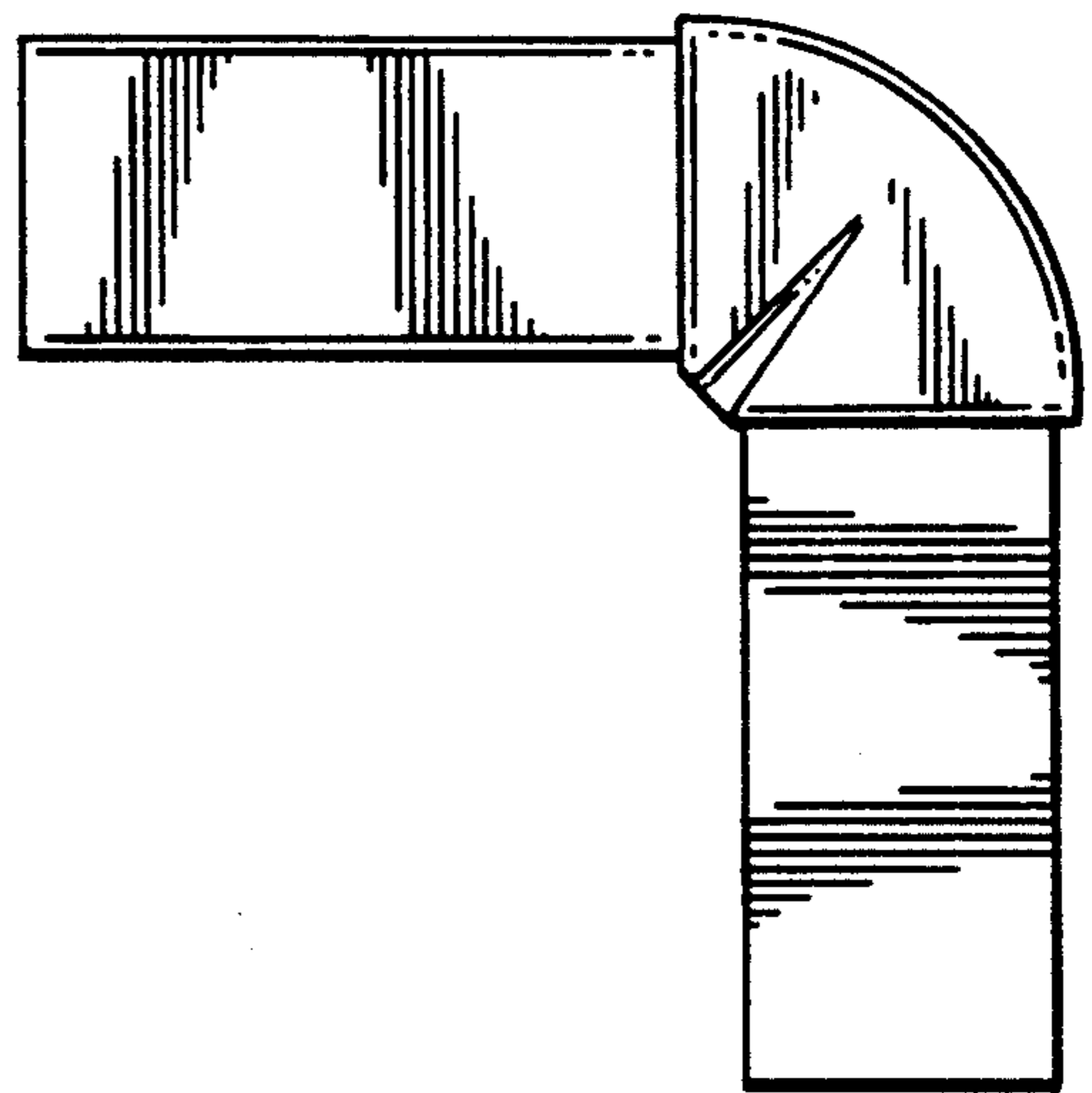


FIG. 4

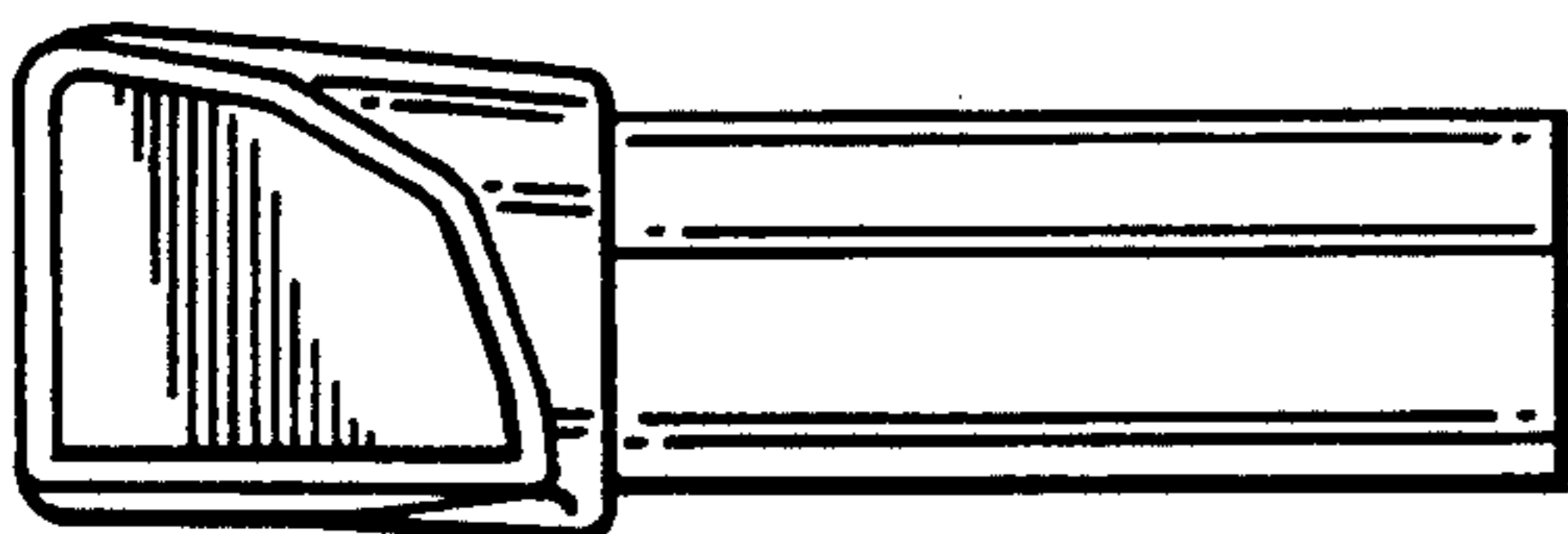


FIG. 3