



US00D333601S

United States Patent [19]

[11] Patent Number: **Des. 333,601**

Wingert

[45] Date of Patent: **** Mar. 2, 1993**

[54] **ELECTRIC STAPLE GUN TACKER**

D. 311,123 10/1990 Mercadante et al. D8/49
4,629,108 12/1986 Judge D8/49

[75] Inventor: **Rudolf Wingert, West Milford, N.J.**

[73] Assignee: **Electro-Matic Staplers, Inc., Saddle Brook, N.J.**

[**] Term: **14 Years**

Primary Examiner—Alan P. Douglas
Assistant Examiner—J. H. Musgrove
Attorney, Agent, or Firm—Fitzpatrick, Cella, Harper & Scinto

[21] Appl. No.: **598,324**

[57] **CLAIM**

[22] Filed: **Oct. 16, 1990**

The ornamental design for an electric staple gun tacker, as shown and described.

[52] U.S. Cl. **D8/49; D8/69**

[58] Field of Search **D8/49, 69; 227/8, 10, 227/120, 130, 131, 132**

DESCRIPTION

[56] **References Cited**

U.S. PATENT DOCUMENTS

- D. 203,142 12/1965 Doherty D8/69
- D. 210,978 5/1968 Preble D8/49
- D. 211,208 5/1968 Bader D8/49
- D. 288,404 2/1987 Somers et al. D8/49
- D. 311,122 10/1990 Johnsson et al. D8/49

FIG. 1 is a right side elevational view of an electric staple gun tacker the left side being a mirror image showing my new design;

FIG. 2 is a top plan view thereof;

FIG. 3 is a bottom view thereof;

FIG. 4 is a front elevational view thereof; and,

FIG. 5 is a rear elevational view thereof.

The broken line staple chamber is for illustrative purposes only and forms no part of the claimed design.

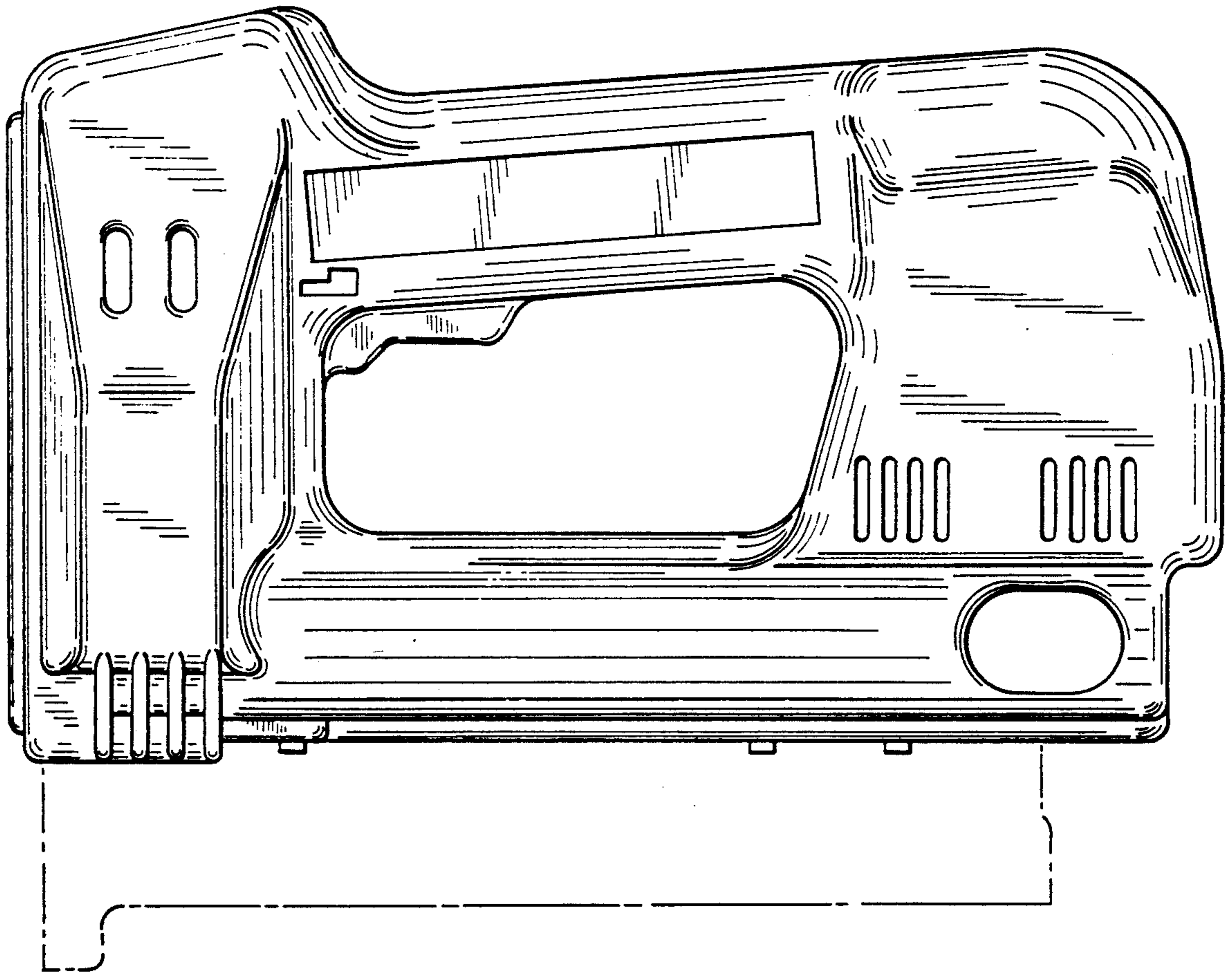


FIG. 1

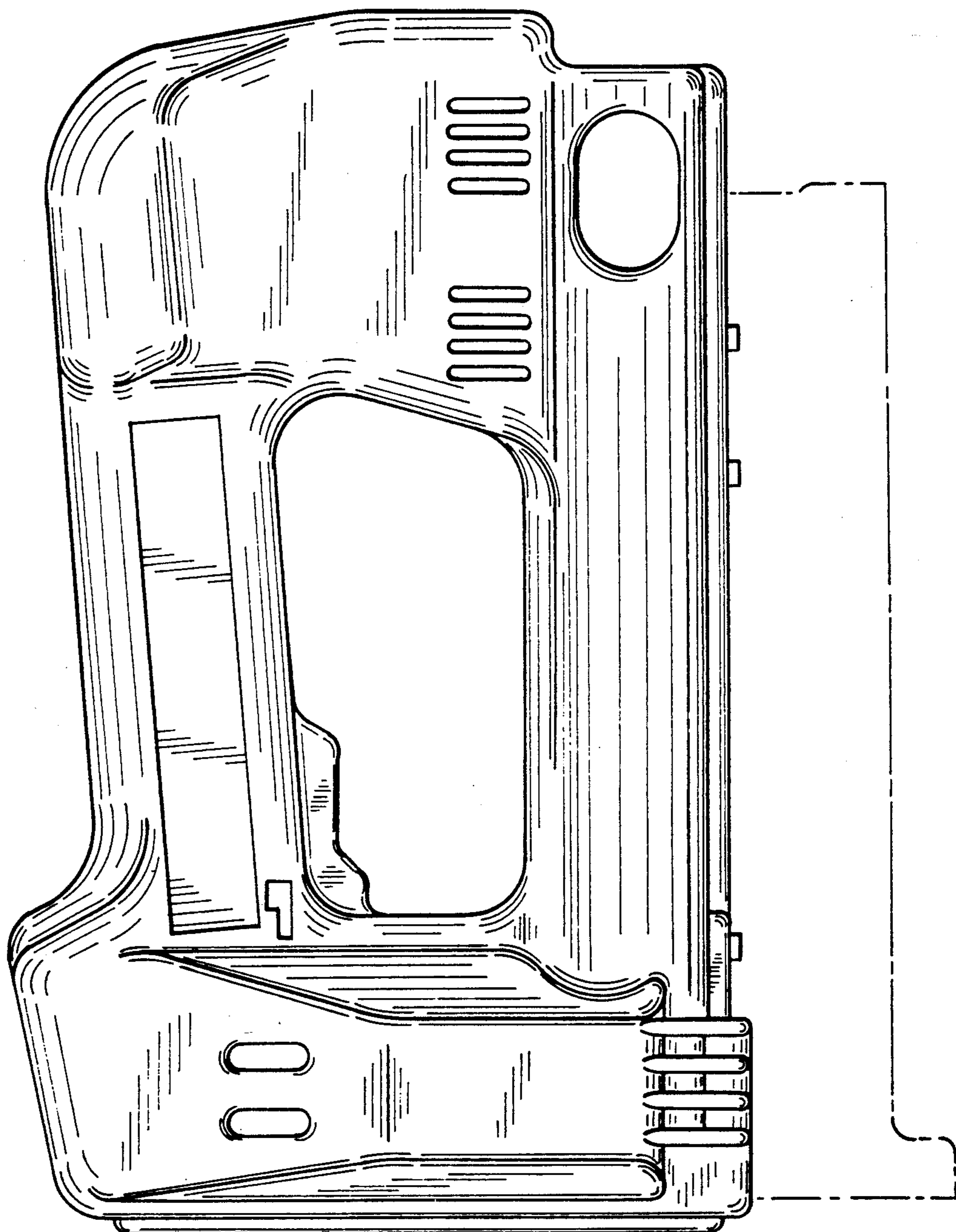


FIG. 2

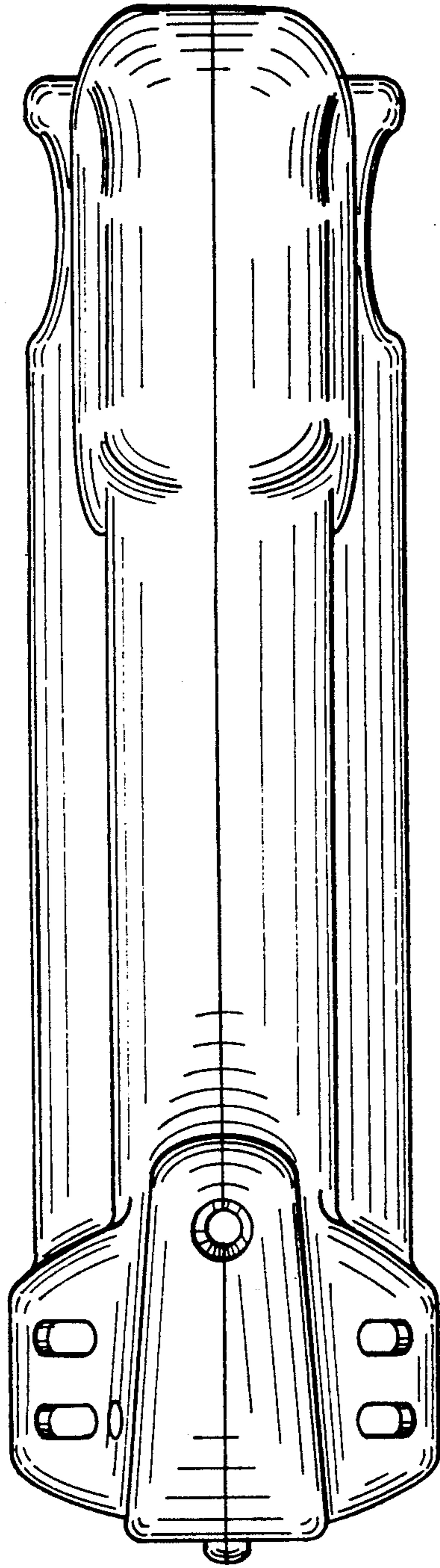


FIG. 3

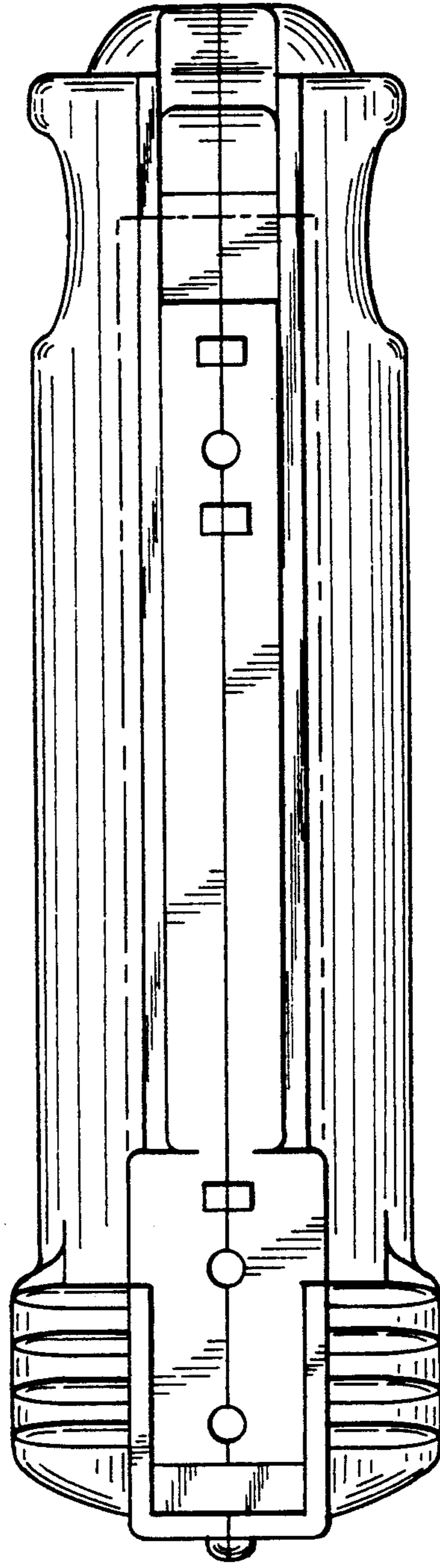


FIG. 5

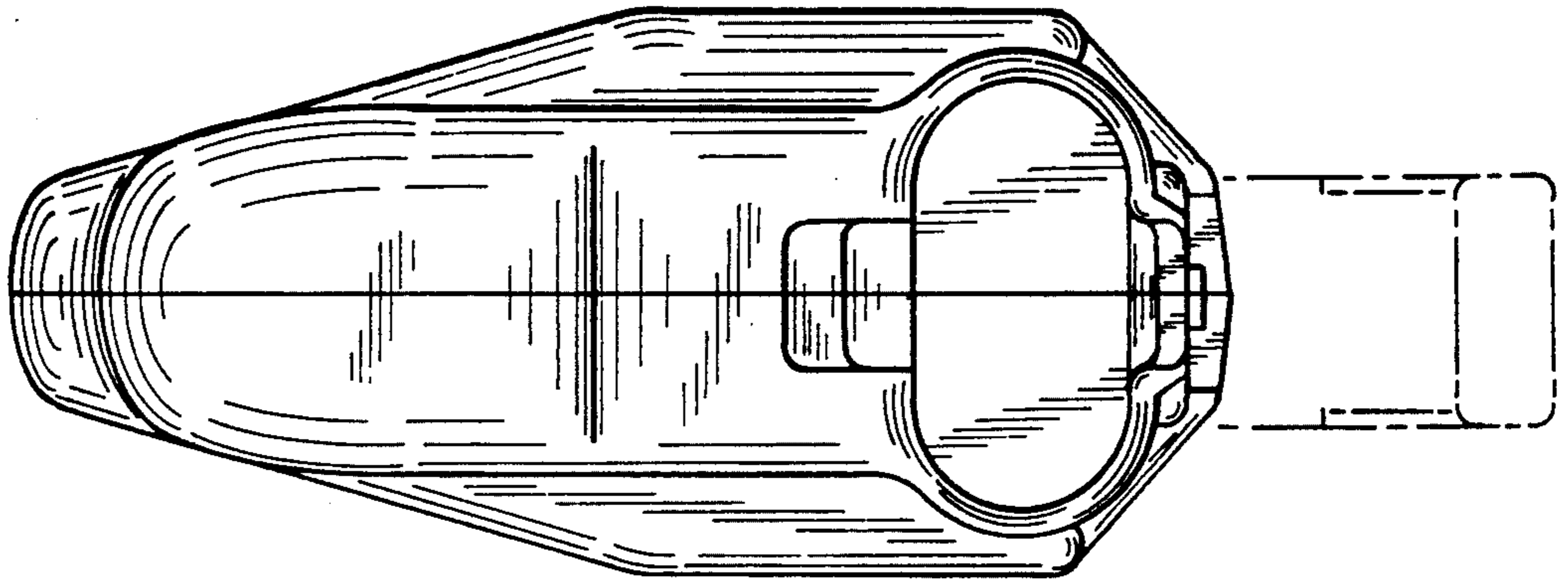


FIG. 4

