



US00D333598S

# United States Patent [19]

[11] Patent Number: **Des. 333,598**

Hayes et al.

[45] Date of Patent: **\*\* Mar. 2, 1993**

[54] **HAND-HELD WELDING ADAPTOR FOR A DRILL**

[56] **References Cited**

### U.S. PATENT DOCUMENTS

D. 329,179 9/1992 Kensrue ..... D8/30  
4,703,156 10/1987 Hayes ..... 219/137.31 X

[75] Inventors: **Peter F. Hayes, Santa Fe, N. Mex.;  
Theodore S. Cribari, Jr, Los Gatos,  
Calif.**

*Primary Examiner*—Alan P. Douglas  
*Assistant Examiner*—Jeff H. Musgrove  
*Attorney, Agent, or Firm*—Sughrue, Mion, Zinn,  
Macpeak & Seas

[73] Assignee: **Omniverse Research, Inc., Gatos,  
Calif.**

[57] **CLAIM**

[\*\*] Term: **14 Years**

The ornamental design for a hand-held welding adaptor for a drill, as shown.

[21] Appl. No.: **652,746**

### DESCRIPTION

[22] Filed: **Feb. 8, 1991**

FIG. 1 is a front, top and left side perspective view of a hand-held welding adaptor for a drill showing our new design;

[52] U.S. Cl. .... **D8/30**

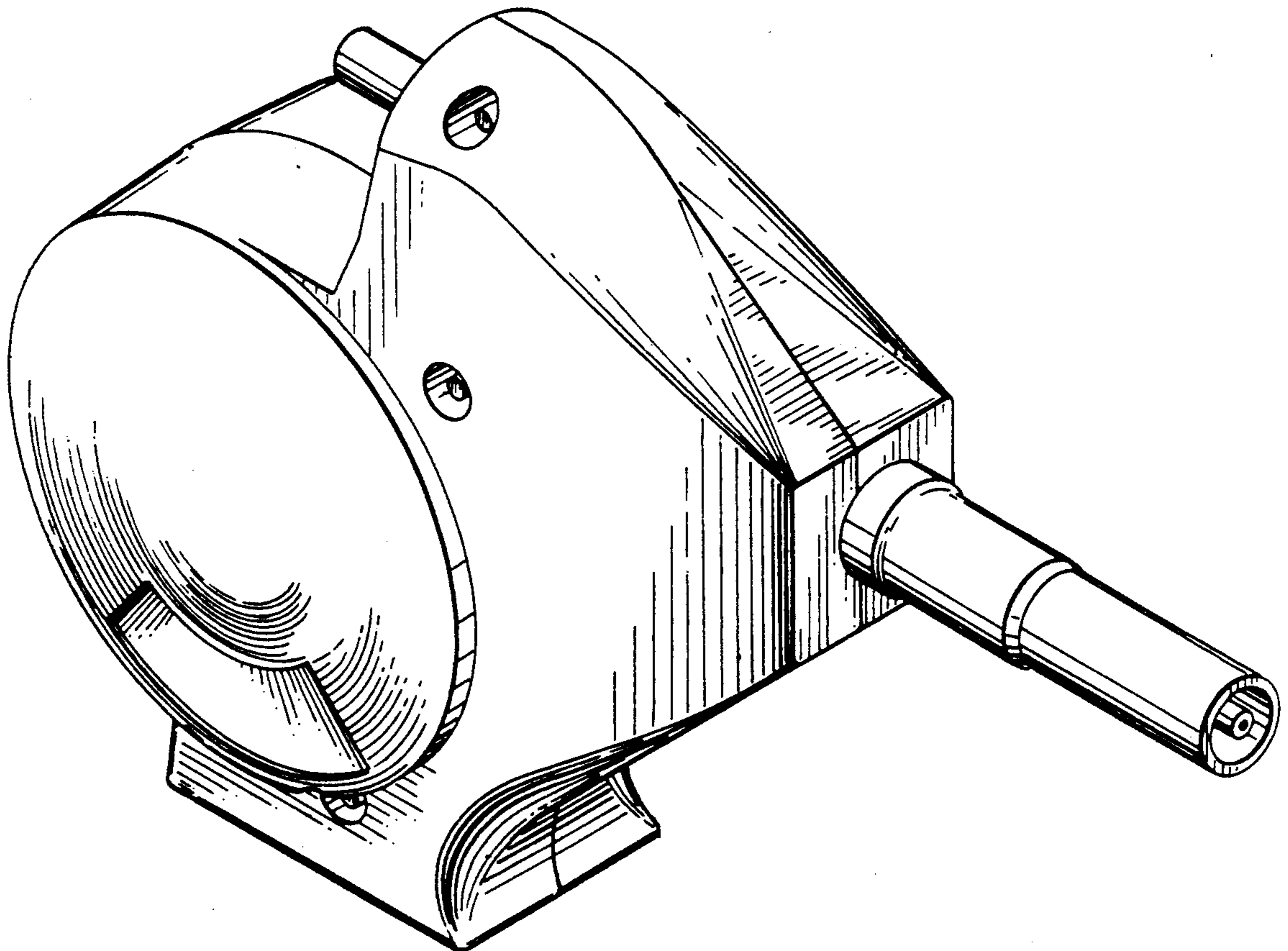
FIG. 2 is a right side elevational view thereof;

[58] Field of Search ..... **D8/31, 29.1;**

FIG. 3 is a top plan view thereof;

219/137.31, 136, 137.2

FIG. 4 is a bottom plan view thereof; and,  
FIG. 5 is a rear elevational view thereof.



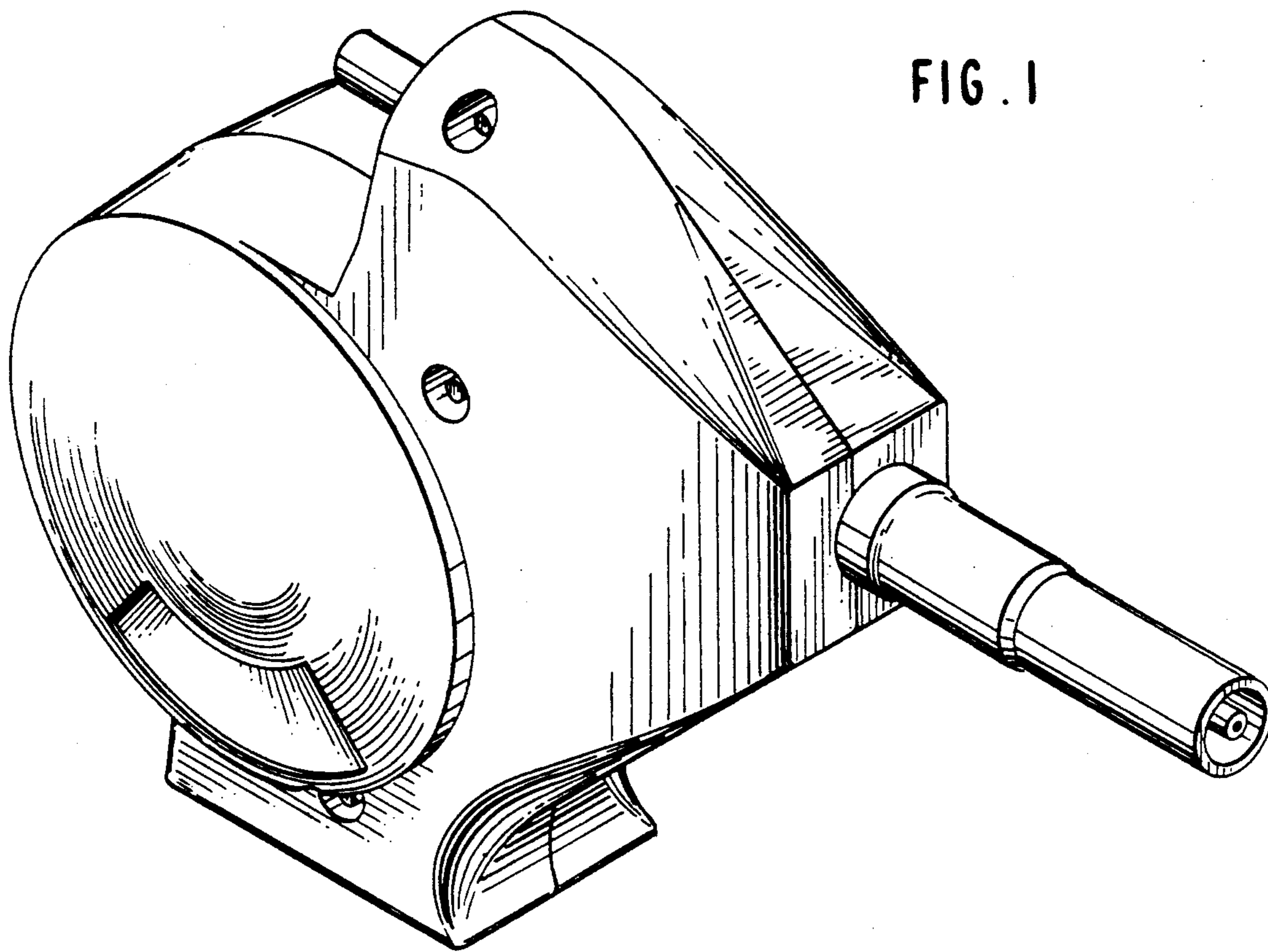


FIG. 1

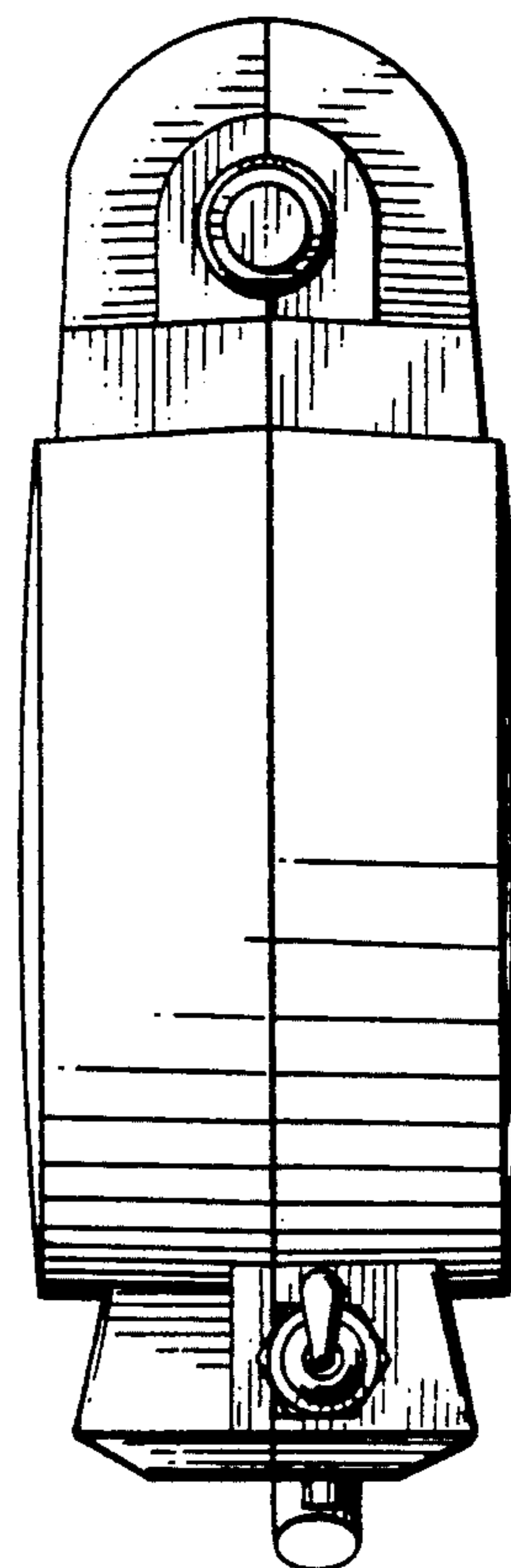


FIG. 5

FIG. 2

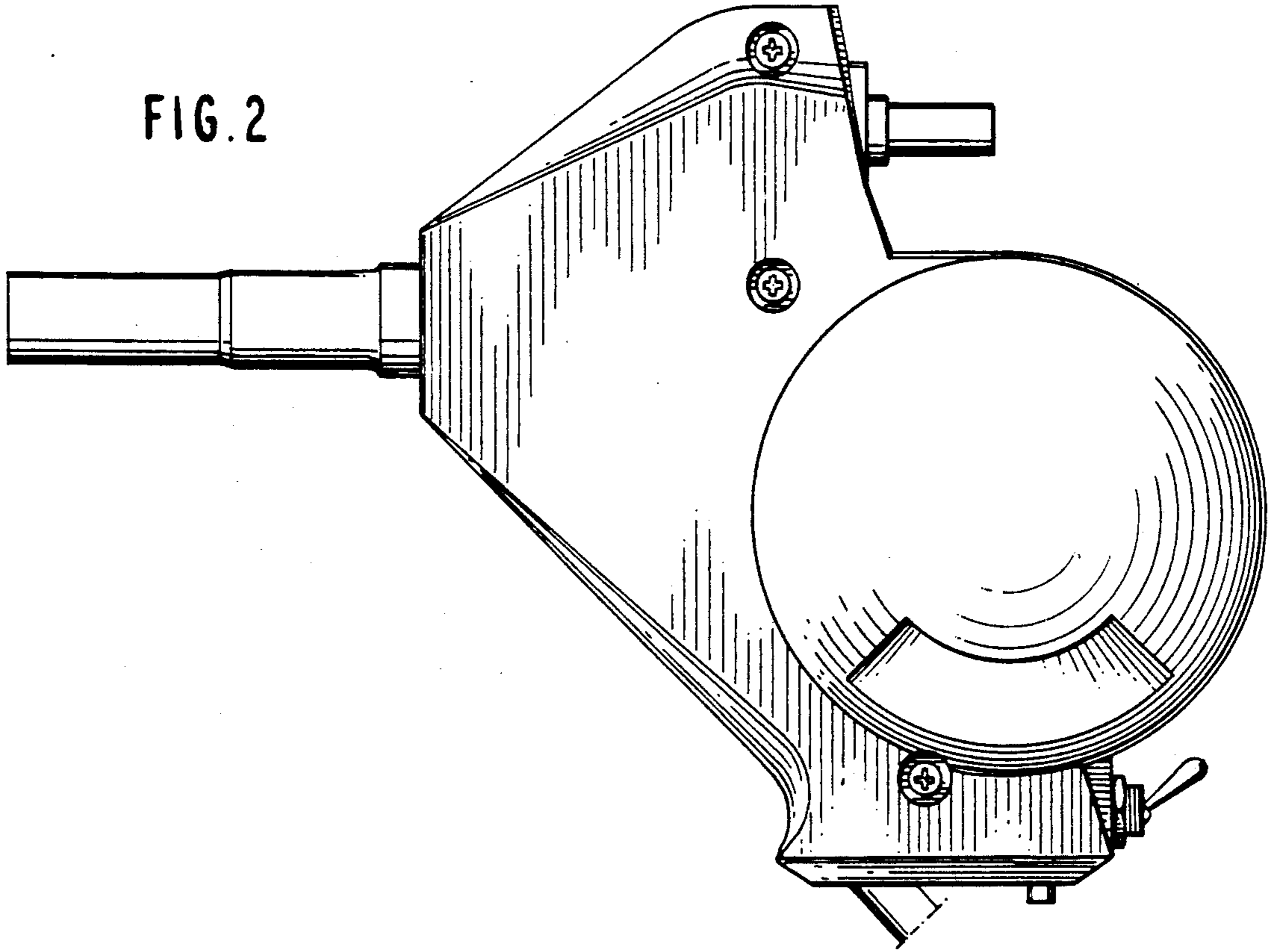


FIG. 3

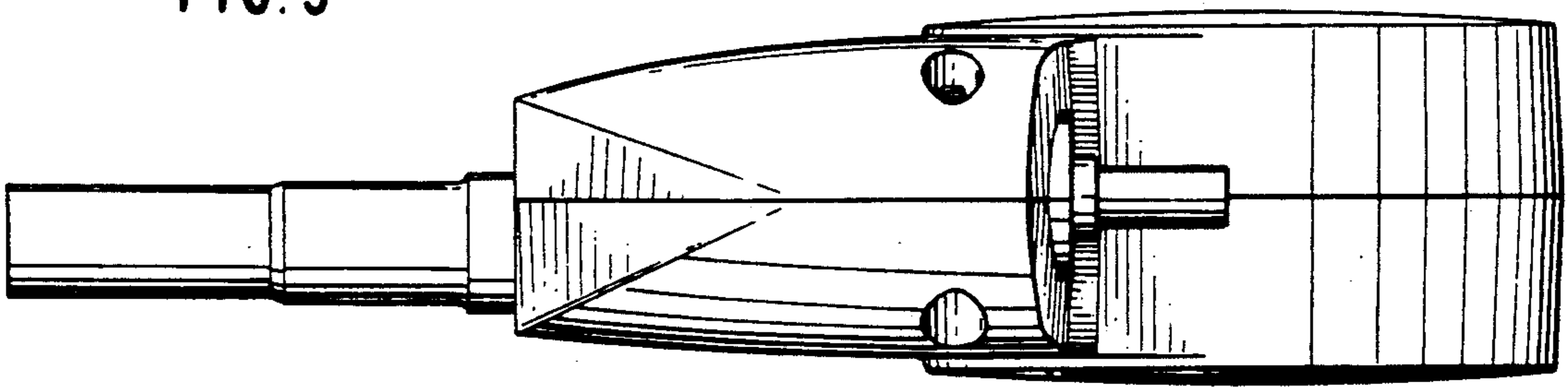


FIG. 4

