



US00D333595S

# United States Patent [19]

[11] Patent Number: **Des. 333,595**

Lamson et al.

[45] Date of Patent: **\*\* Mar. 2, 1993**

[54] **JUICER**

[75] Inventors: **Robert D. Lamson; Brent Markee; Harold Kawaguchi**, all of Seattle, Wash.

[73] Assignee: **Trillium Health Products, Inc.**, Seattle, Wash.

[\*\*] Term: **14 Years**

[21] Appl. No.: **812,367**

[22] Filed: **Dec. 20, 1991**

[52] U.S. Cl. .... **D7/665**

[58] Field of Search ..... **D7/372-374, D7/665, 666; 99/495, 501-506**

[56] **References Cited**

### U.S. PATENT DOCUMENTS

D. 309,083 7/1990 Kahlcke ..... D7/665

### OTHER PUBLICATIONS

Modern Plastics, Sep. 1954, p. 189, Juicer.

*Primary Examiner*—Terry A. Pfeffer  
*Attorney, Agent, or Firm*—Hughes & Multer

[57] **CLAIM**

The ornamental design for a juicer, as shown.

### DESCRIPTION

FIG. 1 is a perspective view of the juicer showing our new design;

FIG. 2 is a front elevational view thereof;

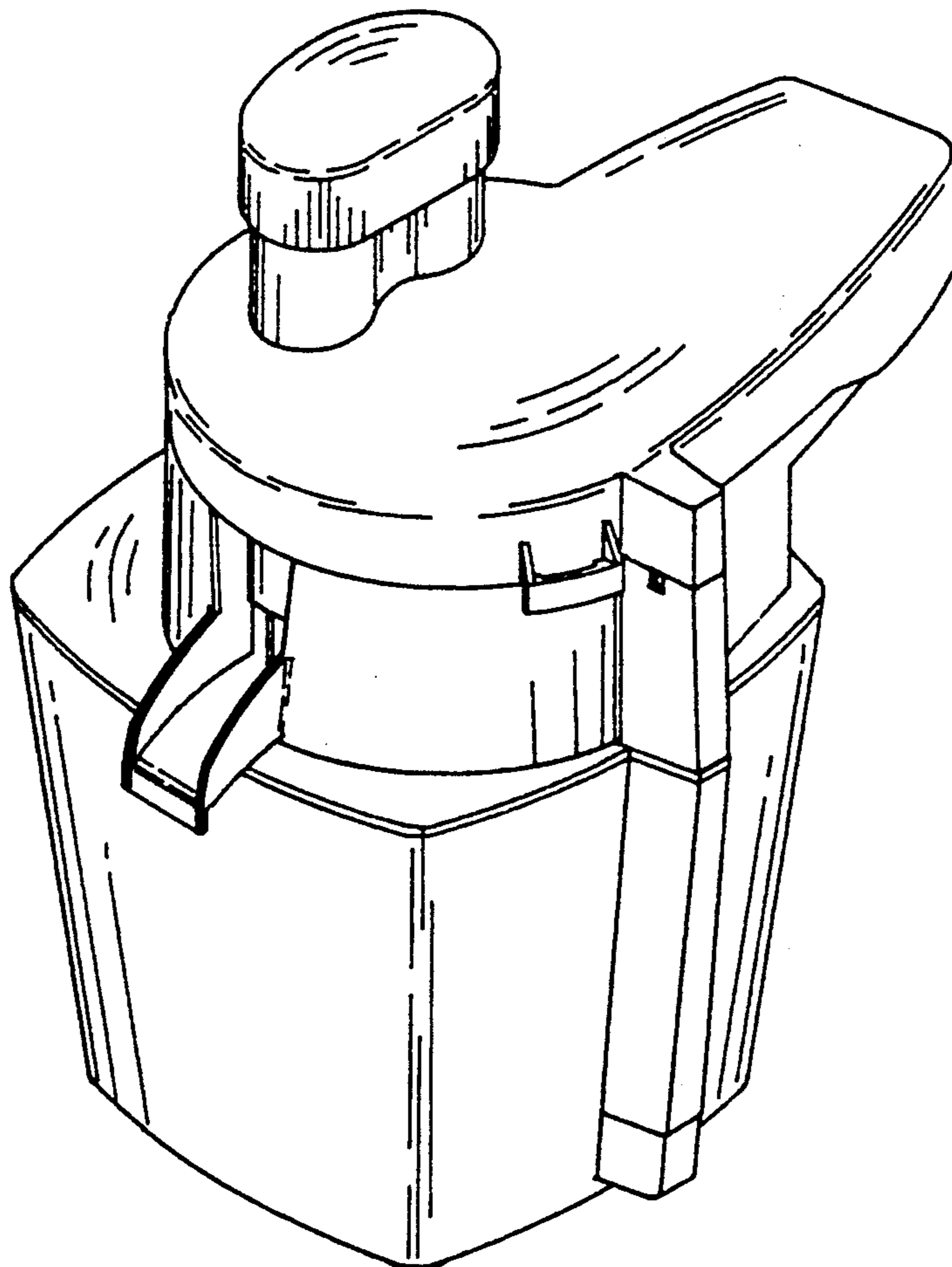
FIG. 3 is a rear elevational view thereof;

FIG. 4 is a left side elevational view thereof;

FIG. 5 is a right side elevational view thereof;

FIG. 6 is a top plan view thereof; and,

FIG. 7 is a bottom plan view thereof.



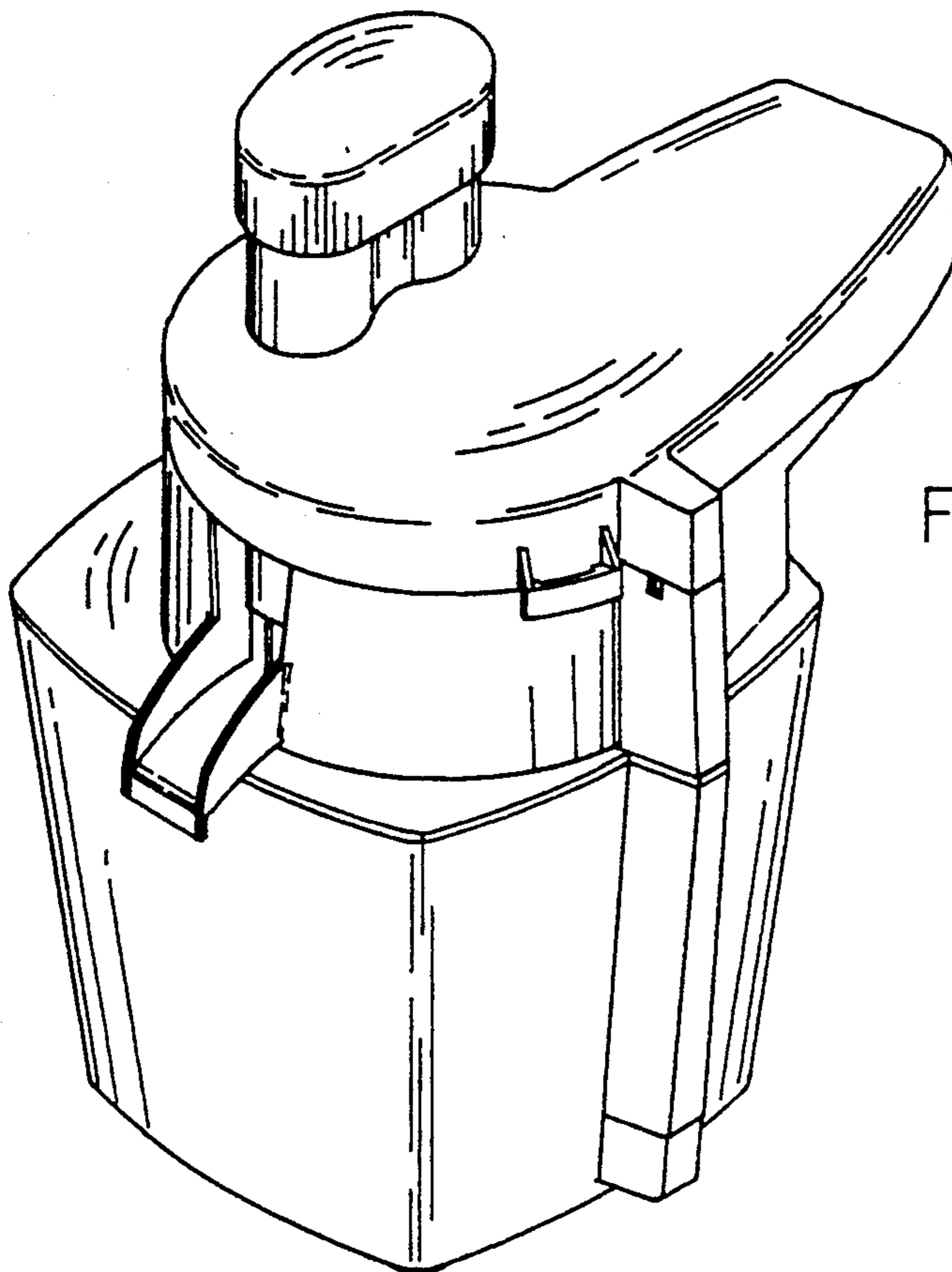


FIG. 1

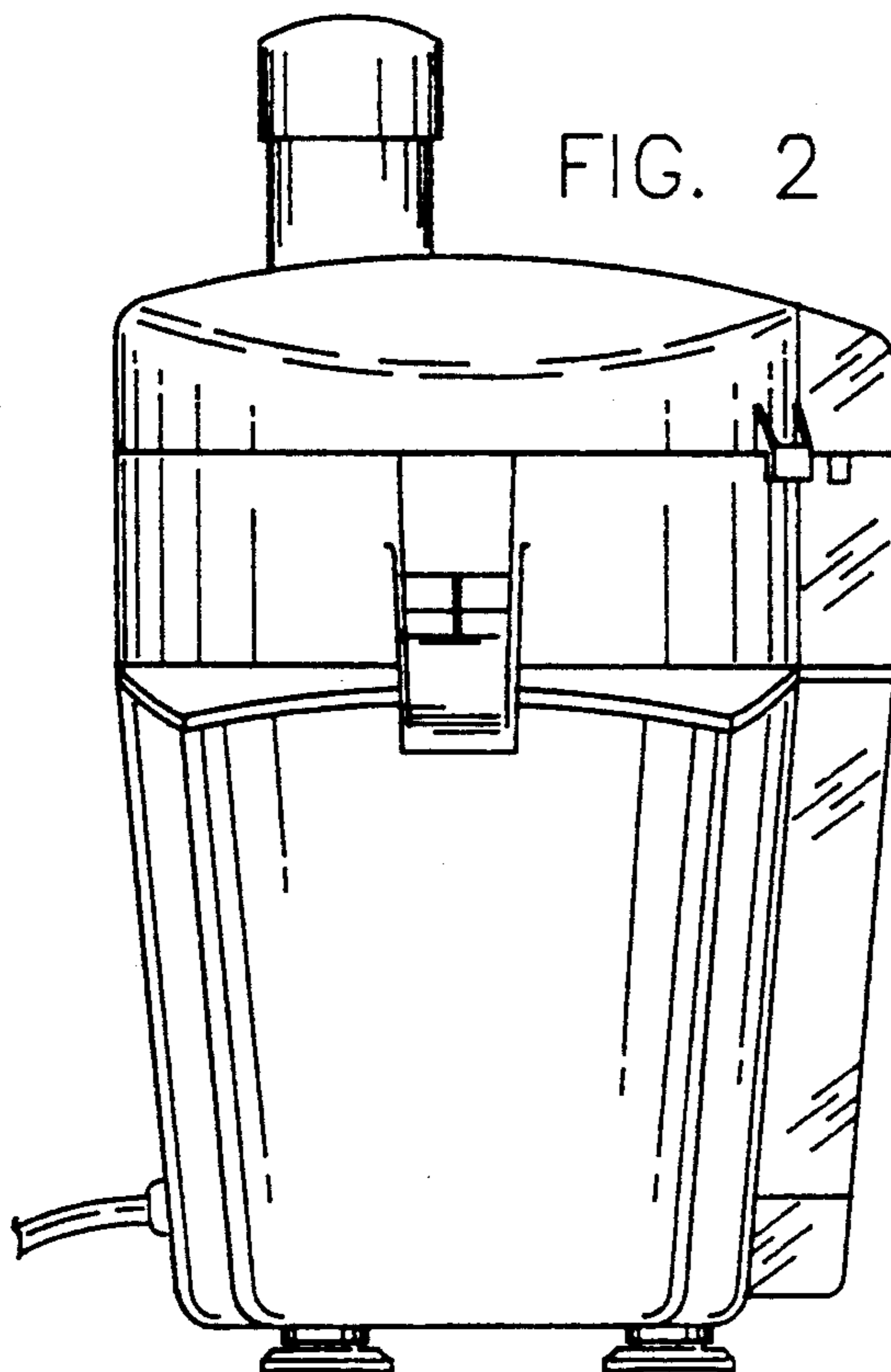


FIG. 2

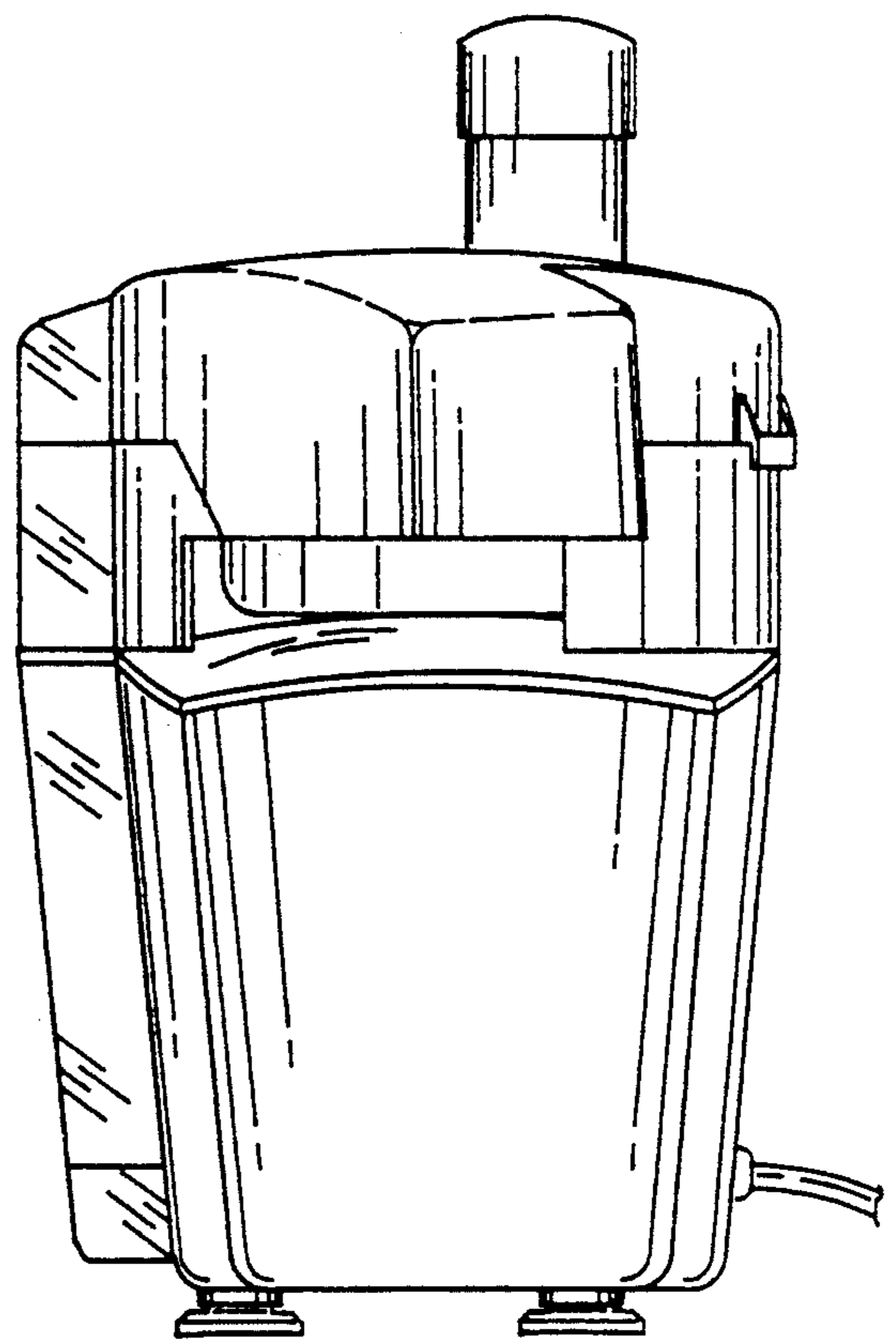


FIG. 3

FIG. 4

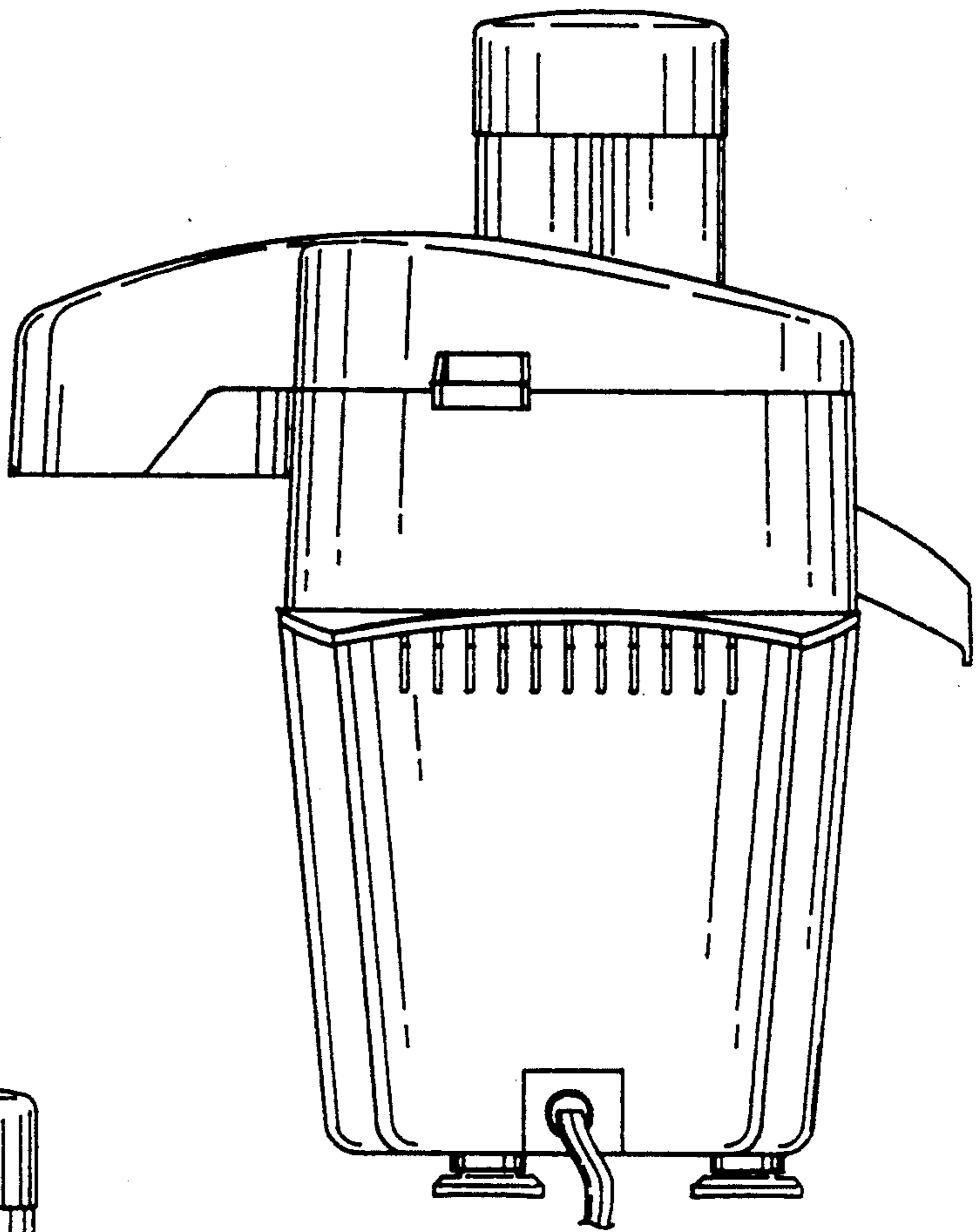


FIG. 5

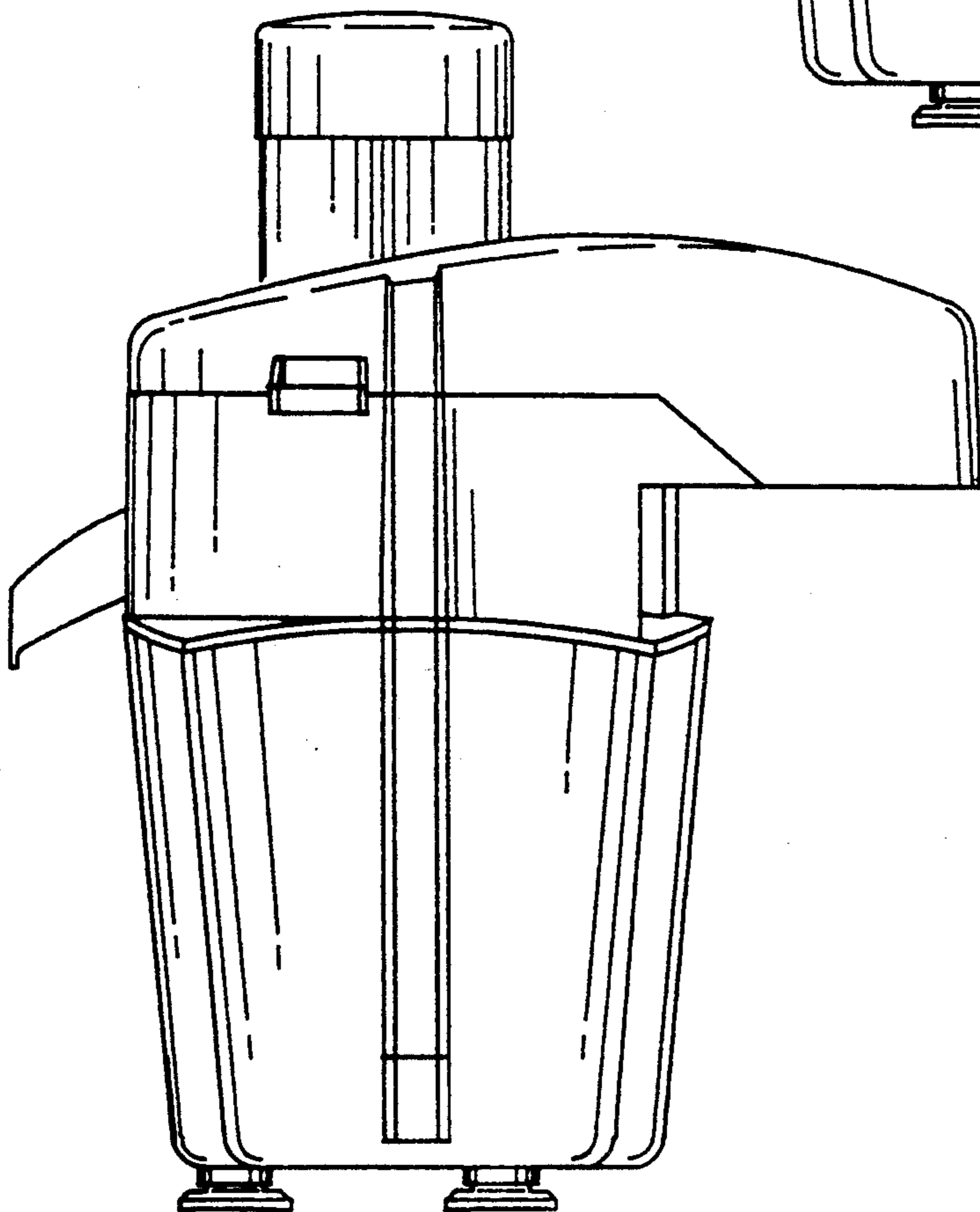


FIG. 6

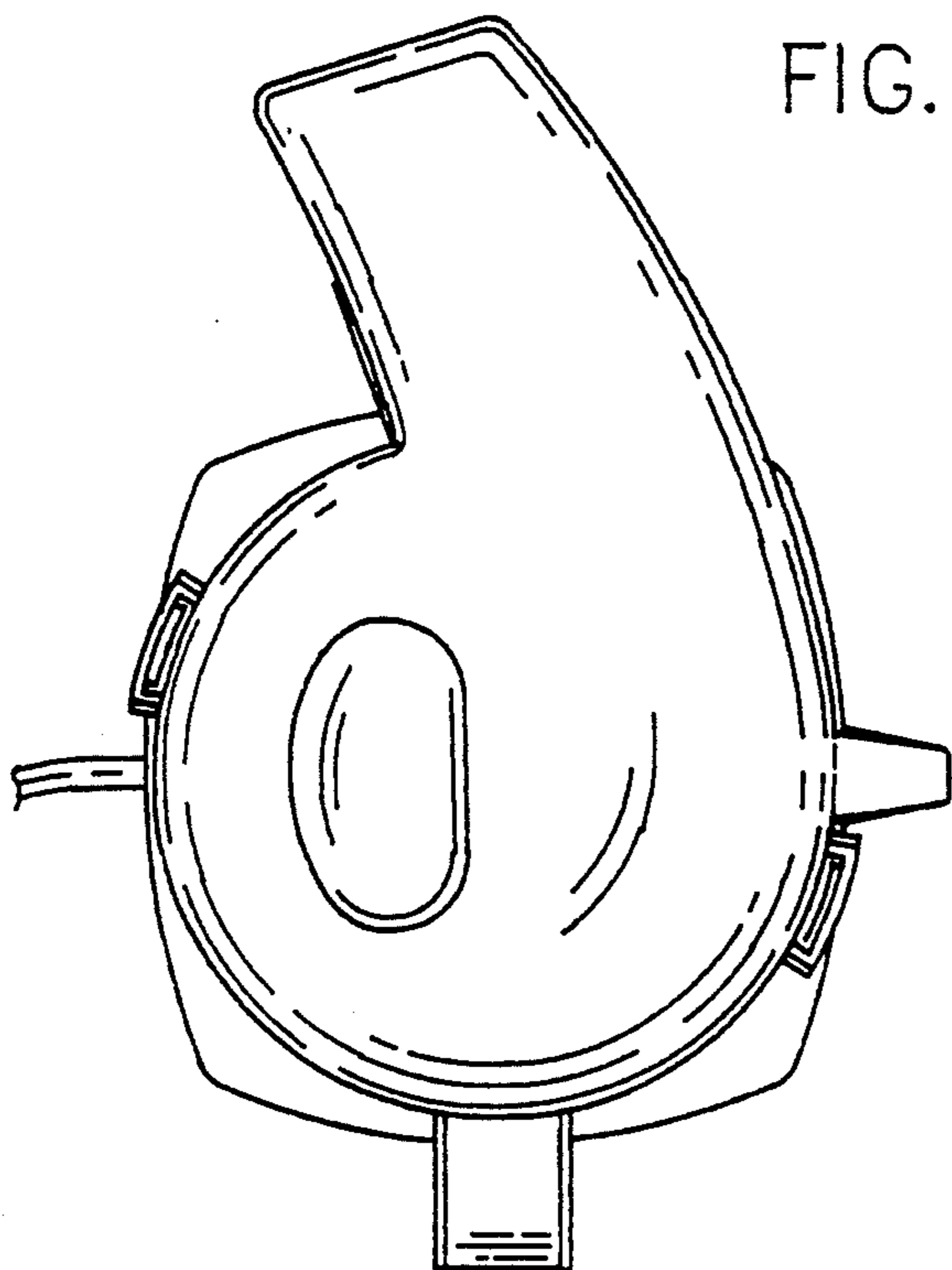


FIG. 7

