



US00D333594S

# United States Patent [19]

[11] Patent Number: **Des. 333,594**

Lin

[45] Date of Patent: **\*\* Mar. 2, 1993**

[54] **COMBINED CUTLERY AND KITCHEN UTENSIL HOLDER OR SIMILAR ARTICLE**

*Attorney, Agent, or Firm*—Wells, St. John, Roberts, Gregory & Matkin

[76] Inventor: **Chen-Fu Lin**, No. 11, Shing-Gong Rd, Yeong-Kang Industrial Dist., Yeong-Kang Hsiang, Tainan Hsien, Taiwan

[57] **CLAIM**

The ornamental design for combined cutlery and kitchen utensil holder or similar article, as shown and described.

[\*\*] Term: **14 Years**

**DESCRIPTION**

[21] Appl. No.: **784,005**

FIG. 1 is a perspective view of combined cutlery and kitchen utensil holder or similar article showing my new design;

[22] Filed: **Oct. 28, 1991**

[52] U.S. Cl. .... **D7/638**

FIG. 2 is a front elevational view thereof;

[58] Field of Search ..... **D7/637-641;**

**D19/65, 75, 77, 81, 84; 206/553; 211/60.1, 70.6, 70.7, 71**

FIG. 3 is a rear elevational view thereof;

FIG. 4 is a left side elevational view thereof;

FIG. 5 is a right side elevational view thereof;

FIG. 6 is a top plan view thereof;

FIG. 7 is a bottom plan view thereof;

FIG. 8 is a perspective view thereof, the utensils being shown in broken lines for illustrative purposes only; and,

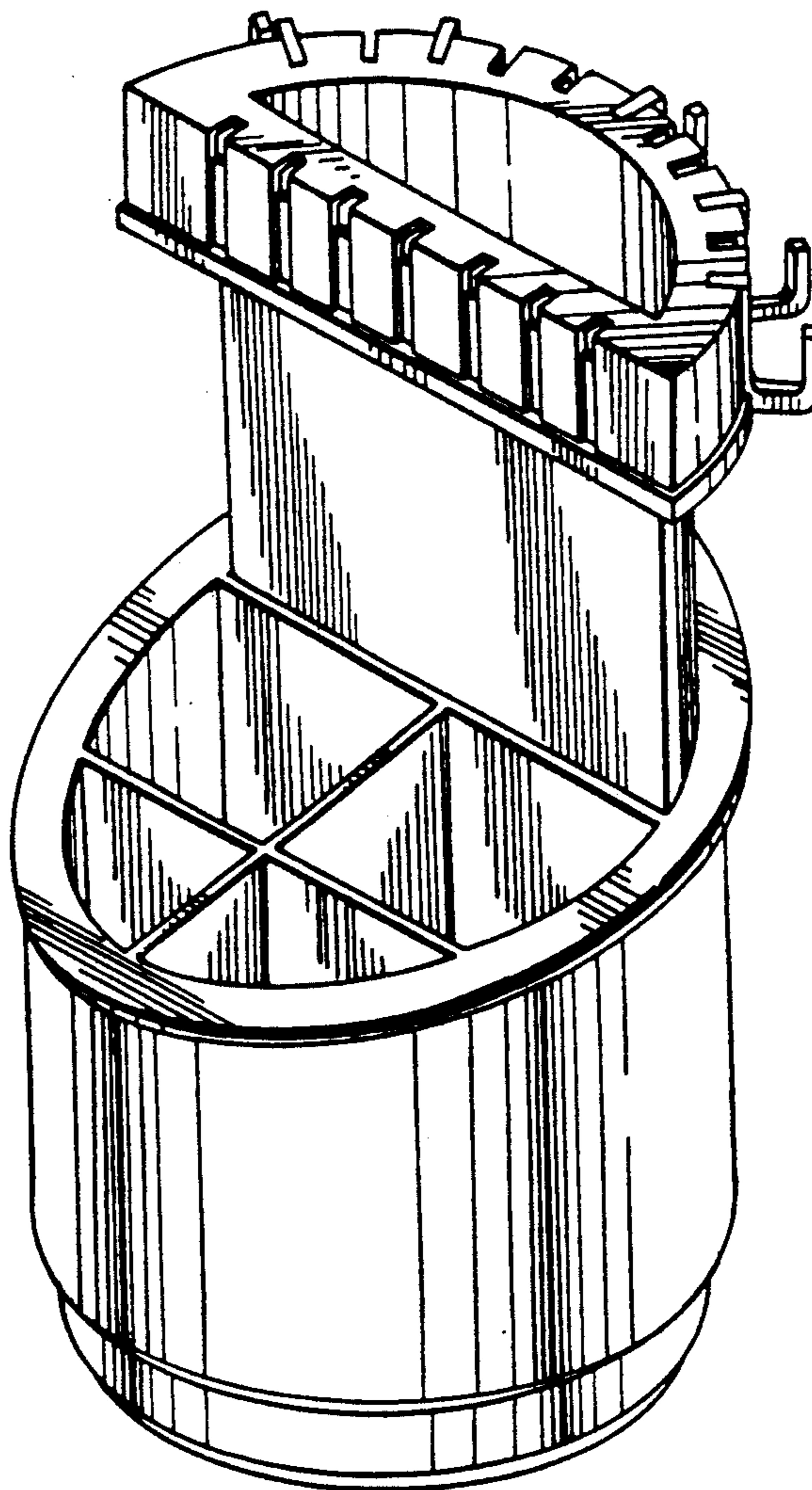
FIG. 9 is an exploded perspective view thereof.

[56] **References Cited**

**U.S. PATENT DOCUMENTS**

D. 317,699 6/1991 Lin ..... **D7/638 X**

*Primary Examiner*—Terry A. Pfeffer



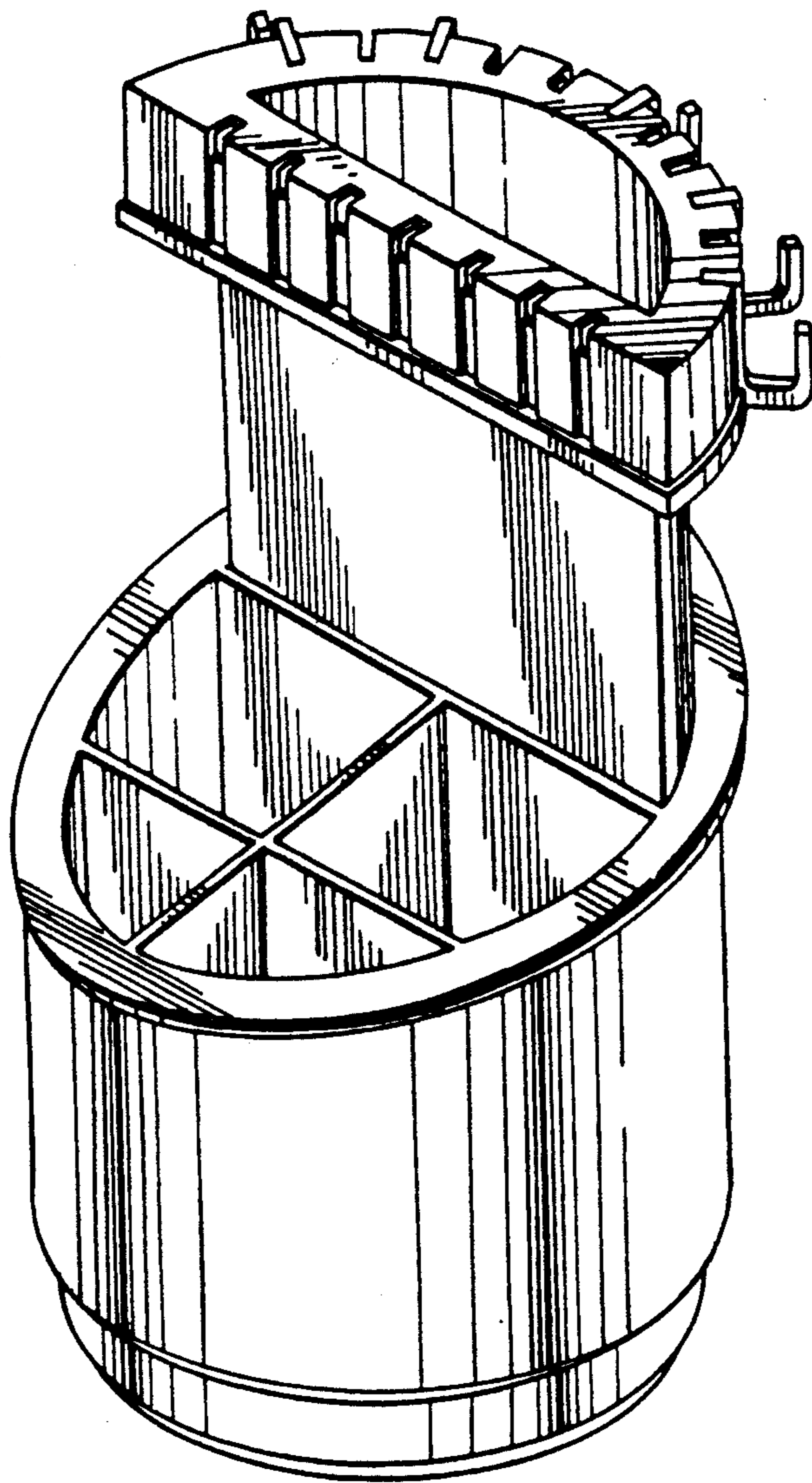


FIG.1

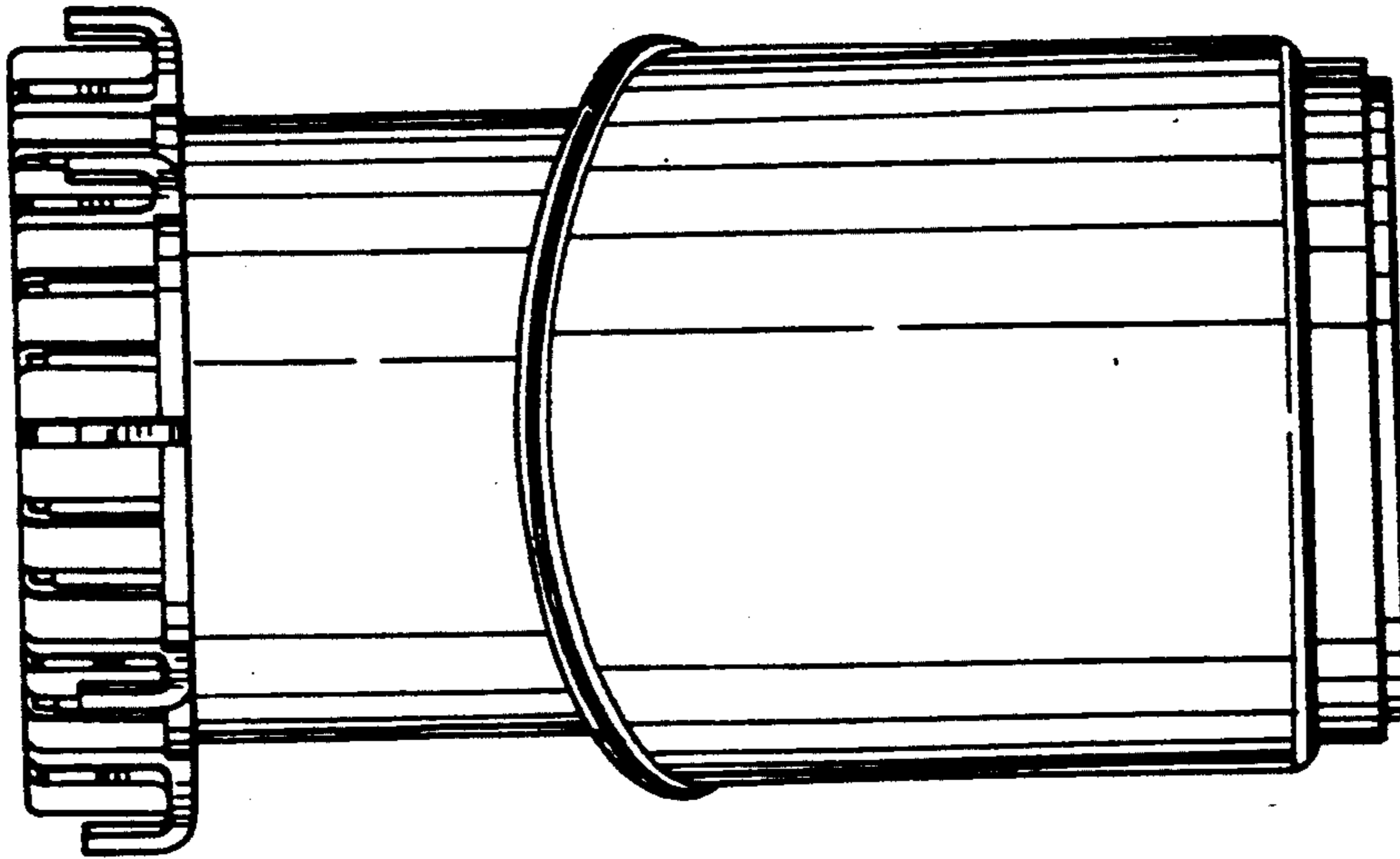


FIG. 3

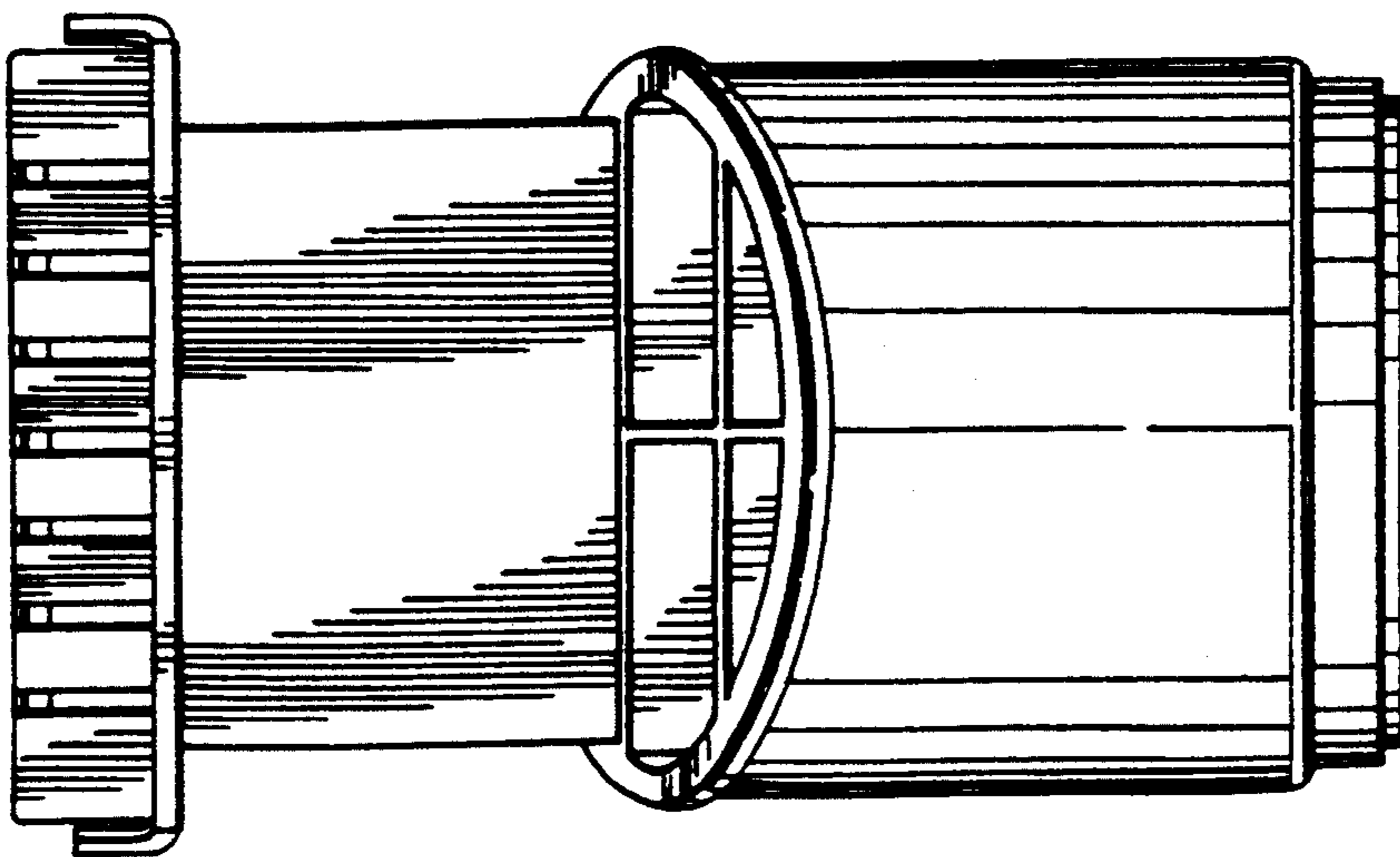


FIG. 2

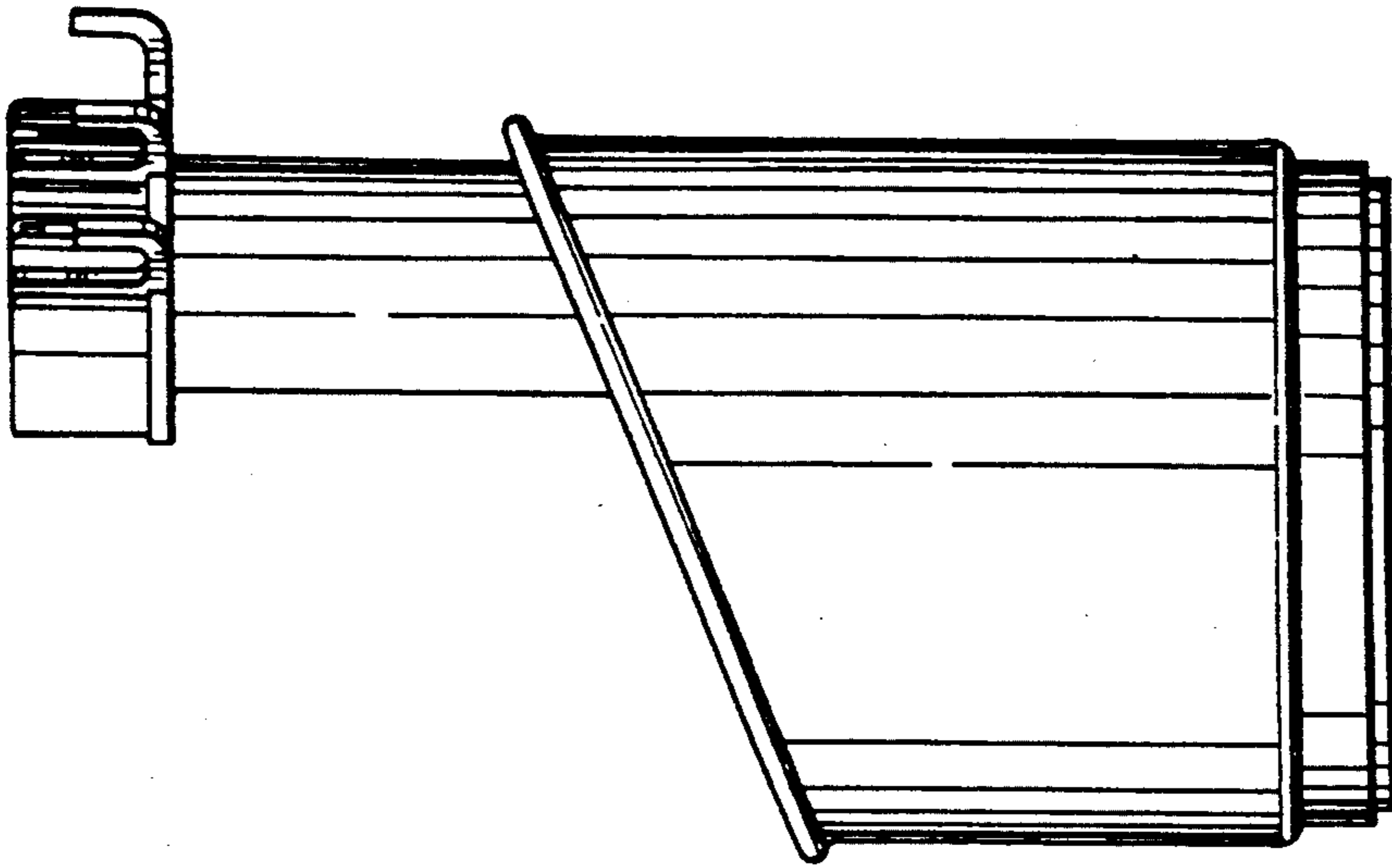


FIG.5

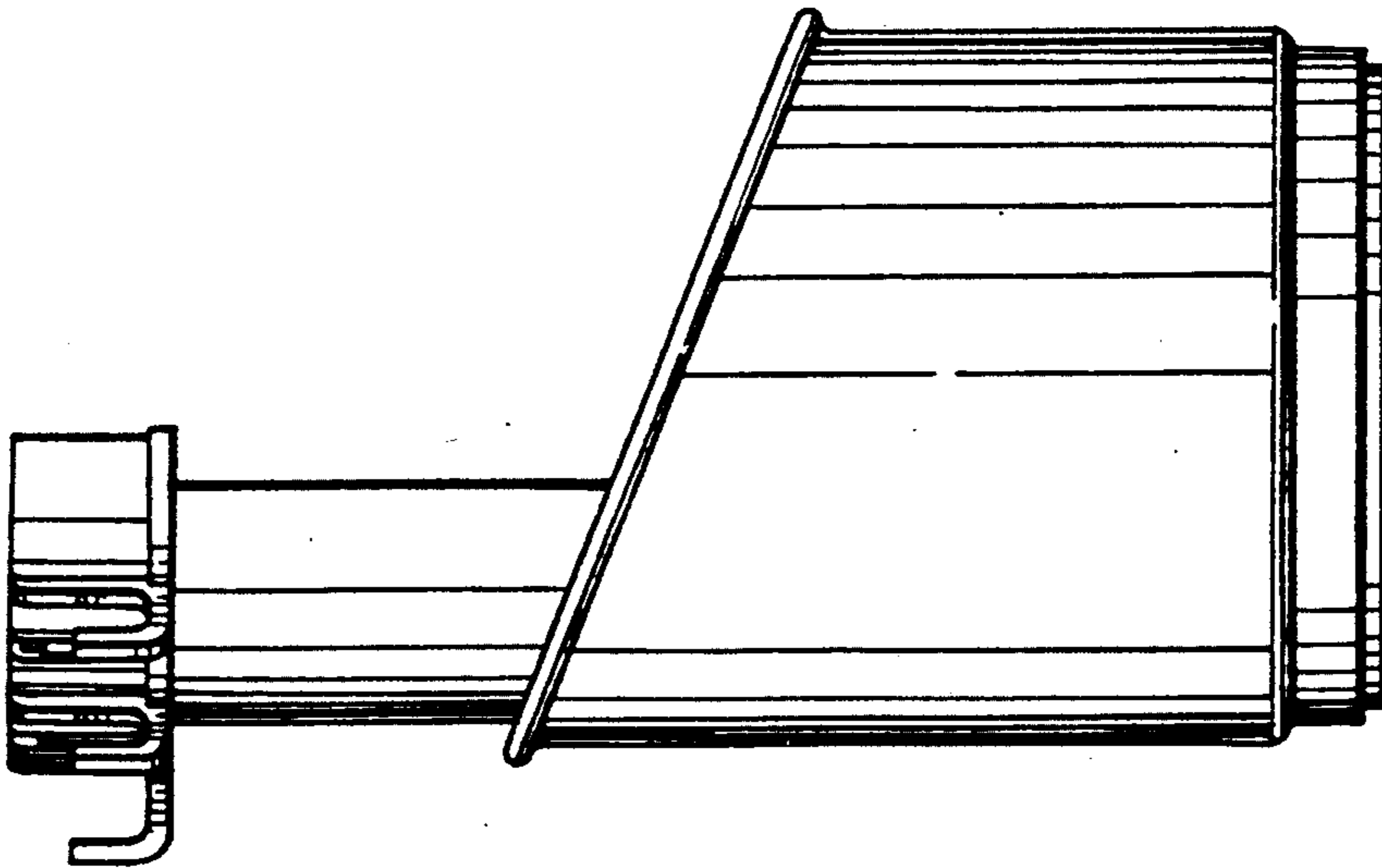


FIG.4

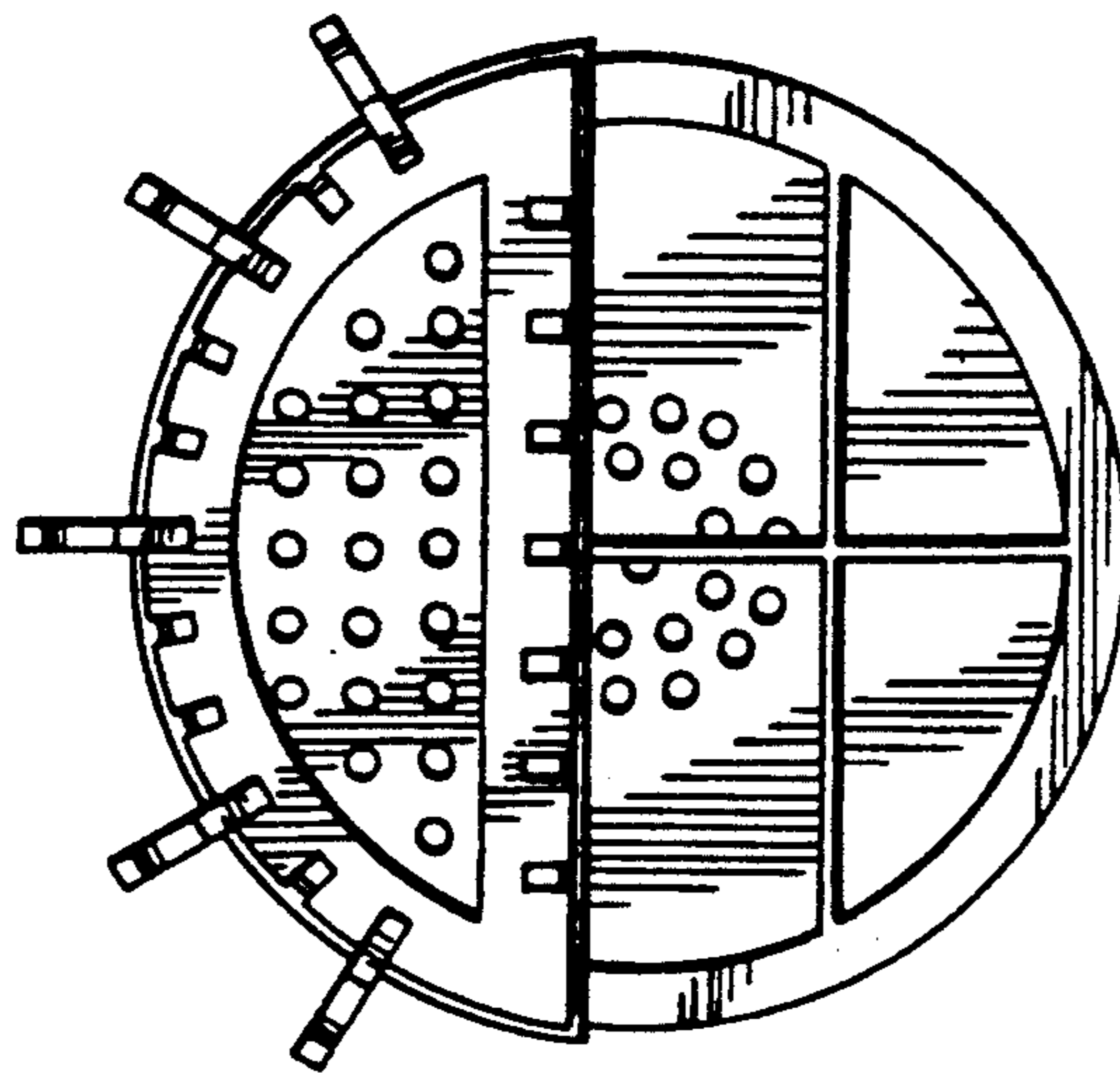


FIG. 6

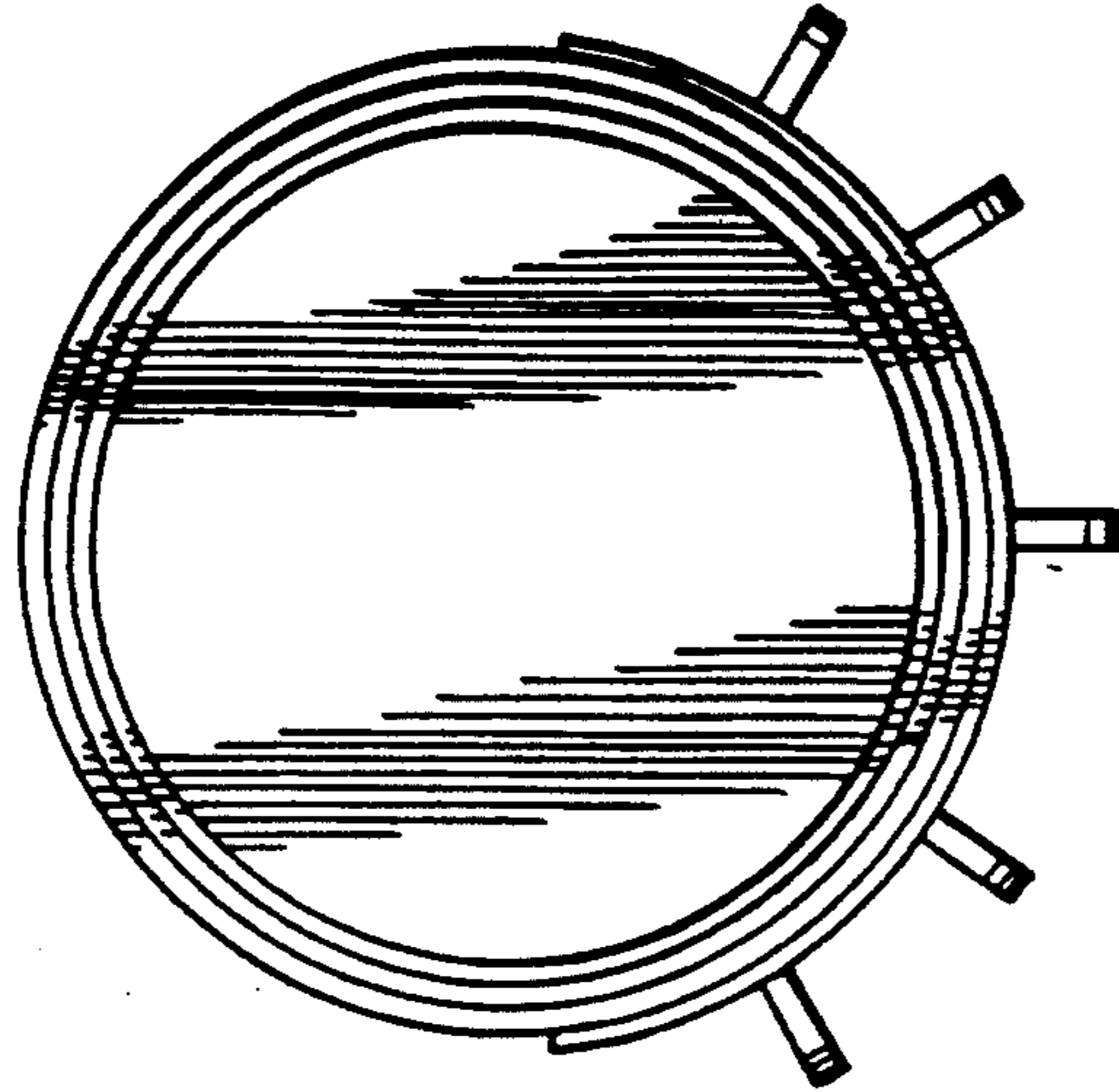


FIG. 7

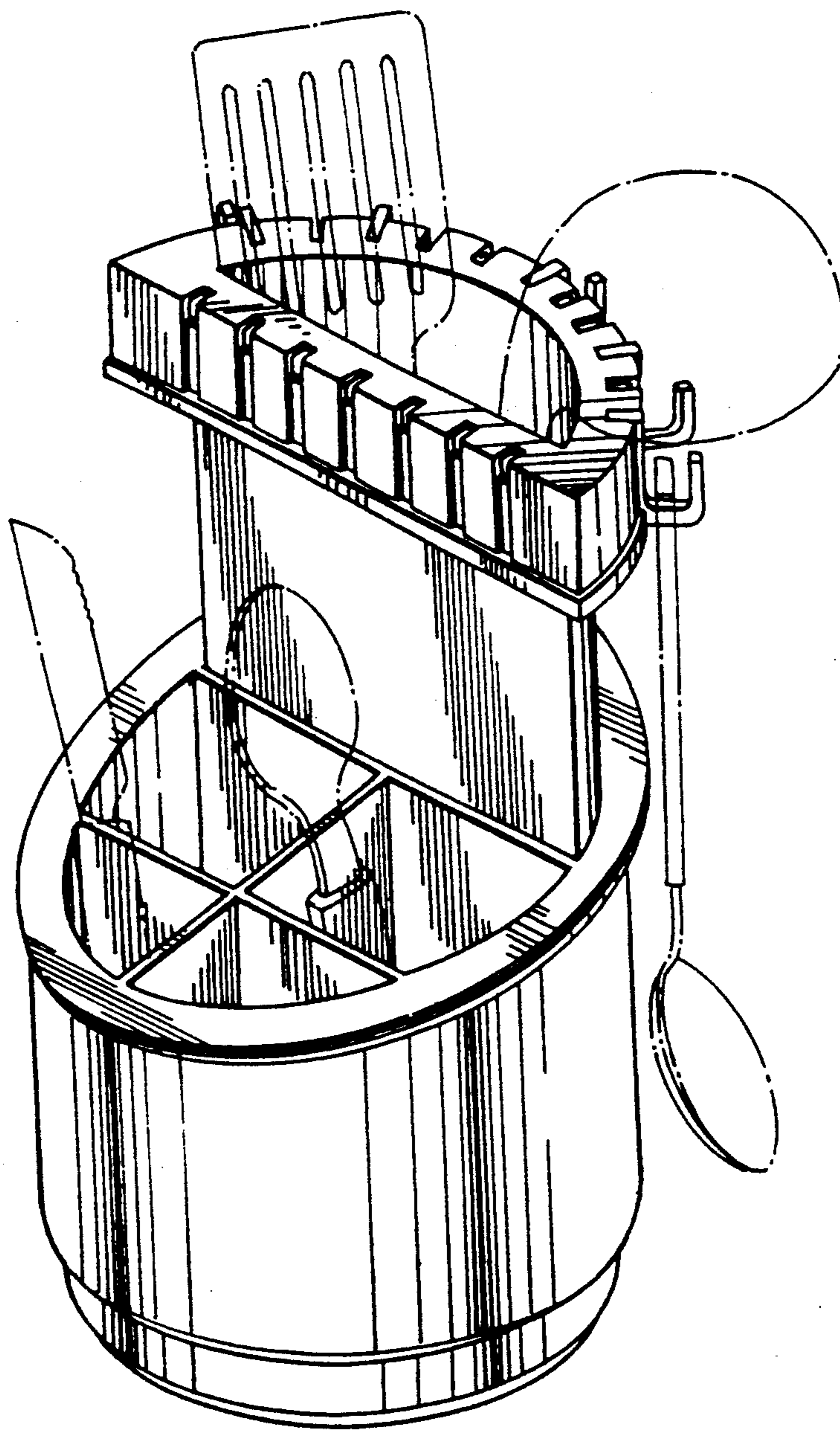


FIG. 8

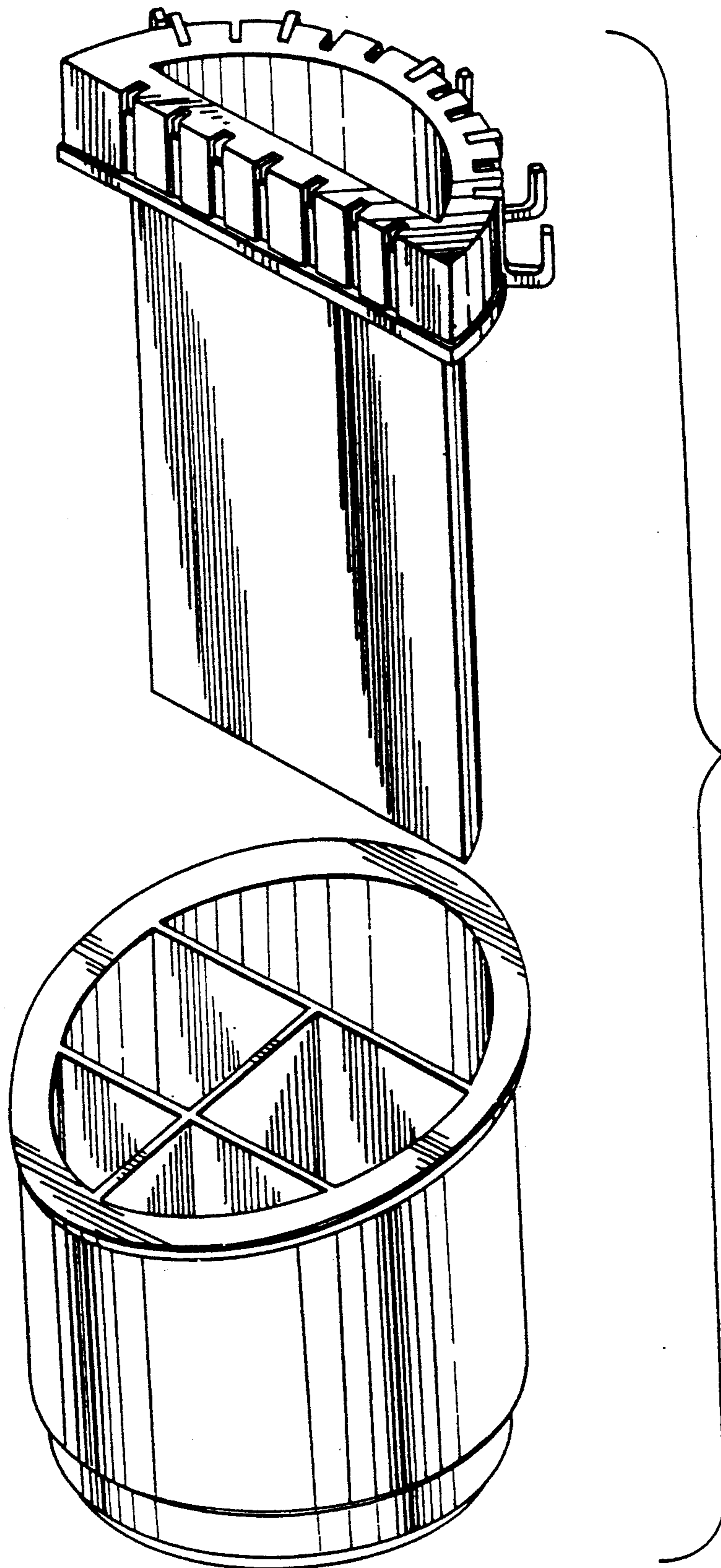


FIG. 9