



US00D333588S

United States Patent [19]

[11] Patent Number: **Des. 333,588**

Bergman

[45] Date of Patent: **** Mar. 2, 1993**

[54] **FISH SMOKER**

4,508,096 4/1985 Slattery 126/9 R
4,944,282 7/1990 Aguiar et al. 126/25 R

[75] Inventor: **William L. Bergman**, Englewood, Colo.

FOREIGN PATENT DOCUMENTS

[73] Assignee: **Sportmens Specialties, Inc.**, Englewood, Colo.

126587 7/1964 New Zealand .

[**] Term: **14 Years**

Primary Examiner—A. Hugo Word
Assistant Examiner—Ruth McInroy
Attorney, Agent, or Firm—Hill, Van Santen, Steadman & Simpson

[21] Appl. No.: **621,549**

[57] CLAIM

[22] Filed: **Dec. 3, 1990**

The ornamental design for a fish smoker, as shown and described.

[52] U.S. Cl. **D7/332; D7/337**

[58] Field of Search **D7/323, 331, 332, 337;**
126/25 R, 25 A, 25 B, 29-30, 9 R, 9 A, 9 B, 38;
99/481, 482

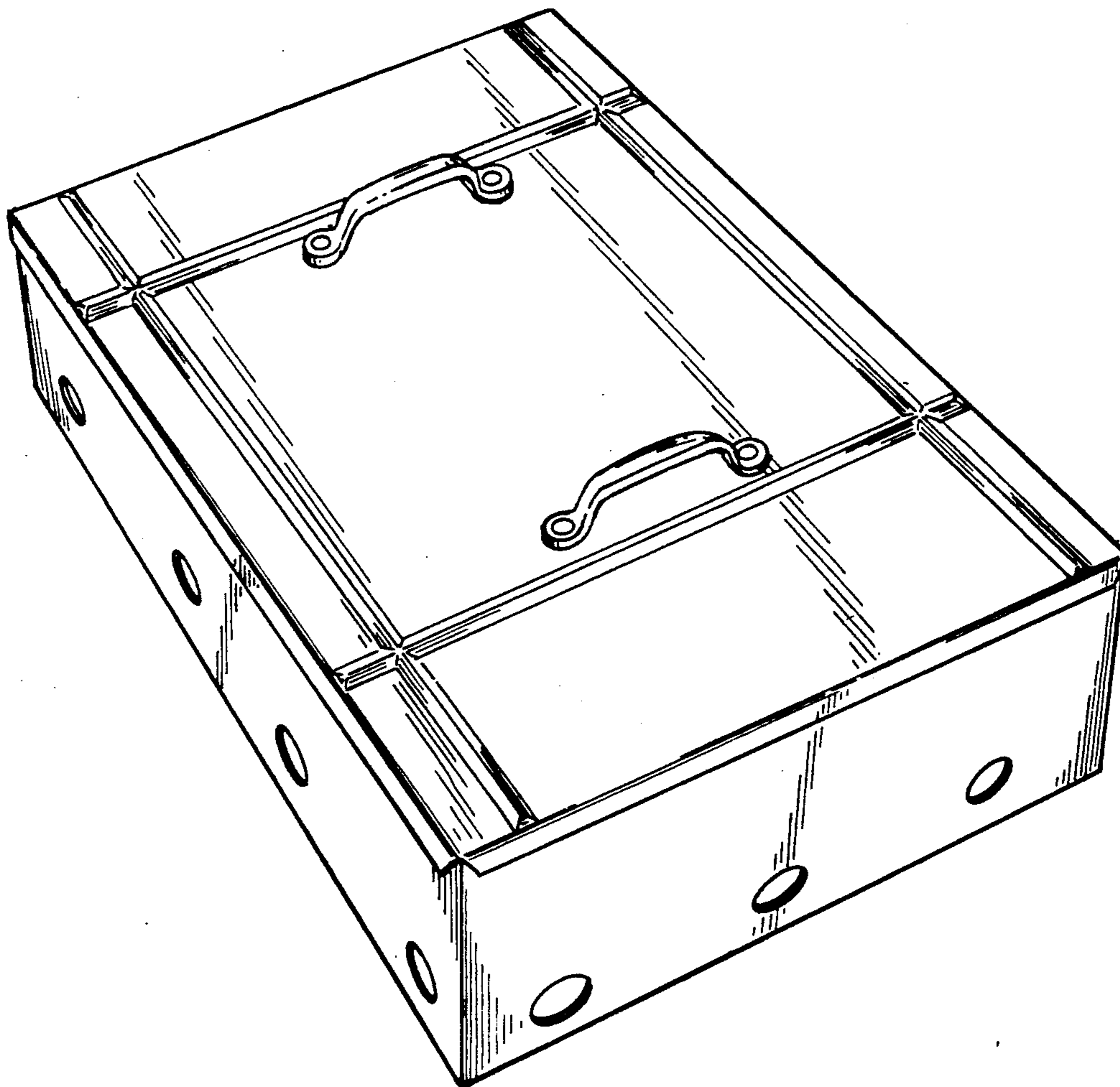
DESCRIPTION

[56] References Cited

U.S. PATENT DOCUMENTS

D. 229,734 1/1974 Makenny et al. D7/337
D. 305,855 2/1990 Mandat D7/323
D. 326,792 6/1992 Rodgers et al. D7/337
3,581,731 2/1969 Schulze 126/25 R

FIG. 1 is a top, front and side perspective view of a fish smoker showing my new design;
FIG. 2 is a right side elevational view thereof;
FIG. 3 is a rear elevational view thereof;
FIG. 4 is a top plan view thereof; and,
FIG. 5 is an exploded perspective view thereof with the top cover removed.
The undisclosed bottom is flat and unornamented.



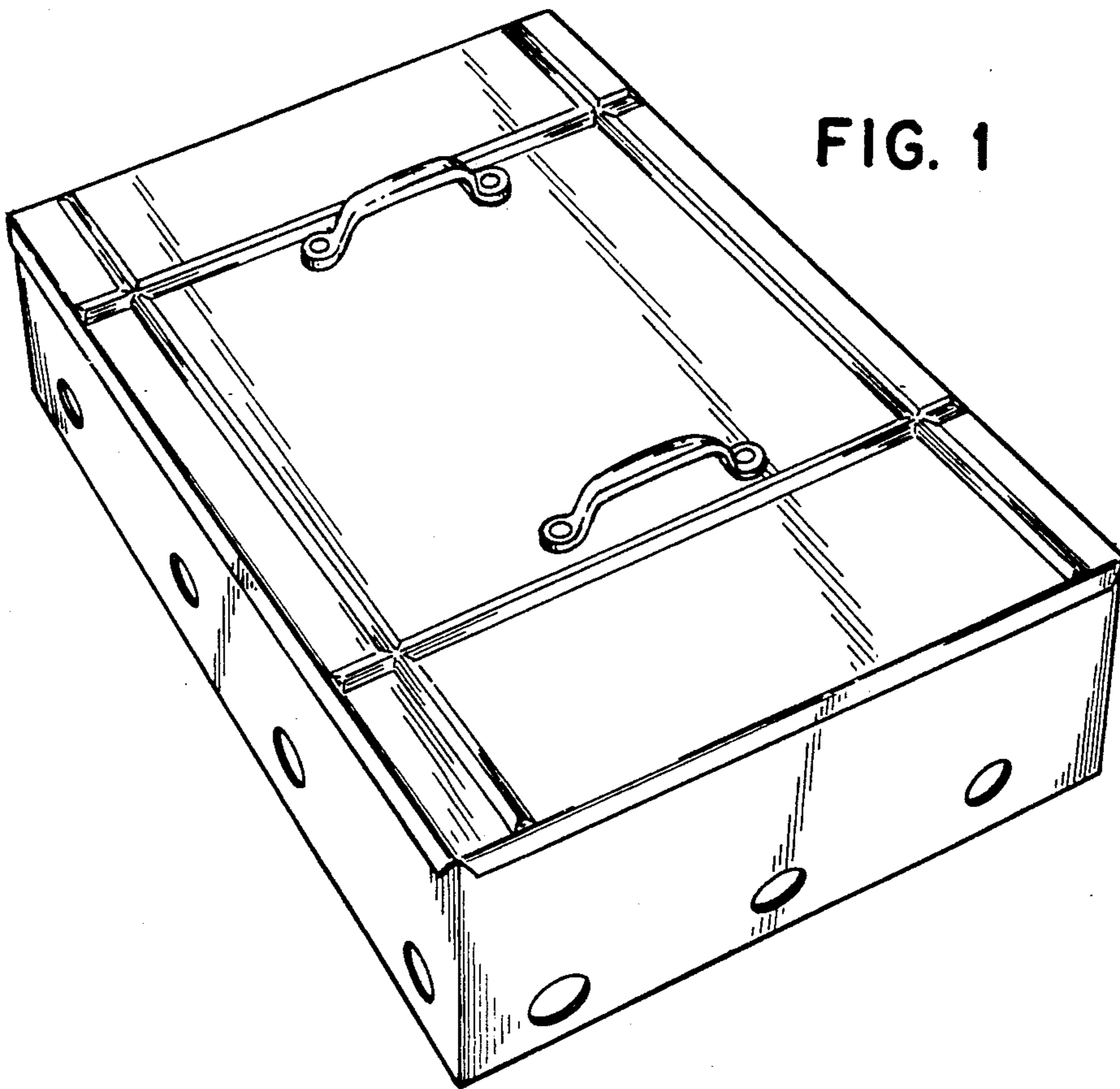


FIG. 1

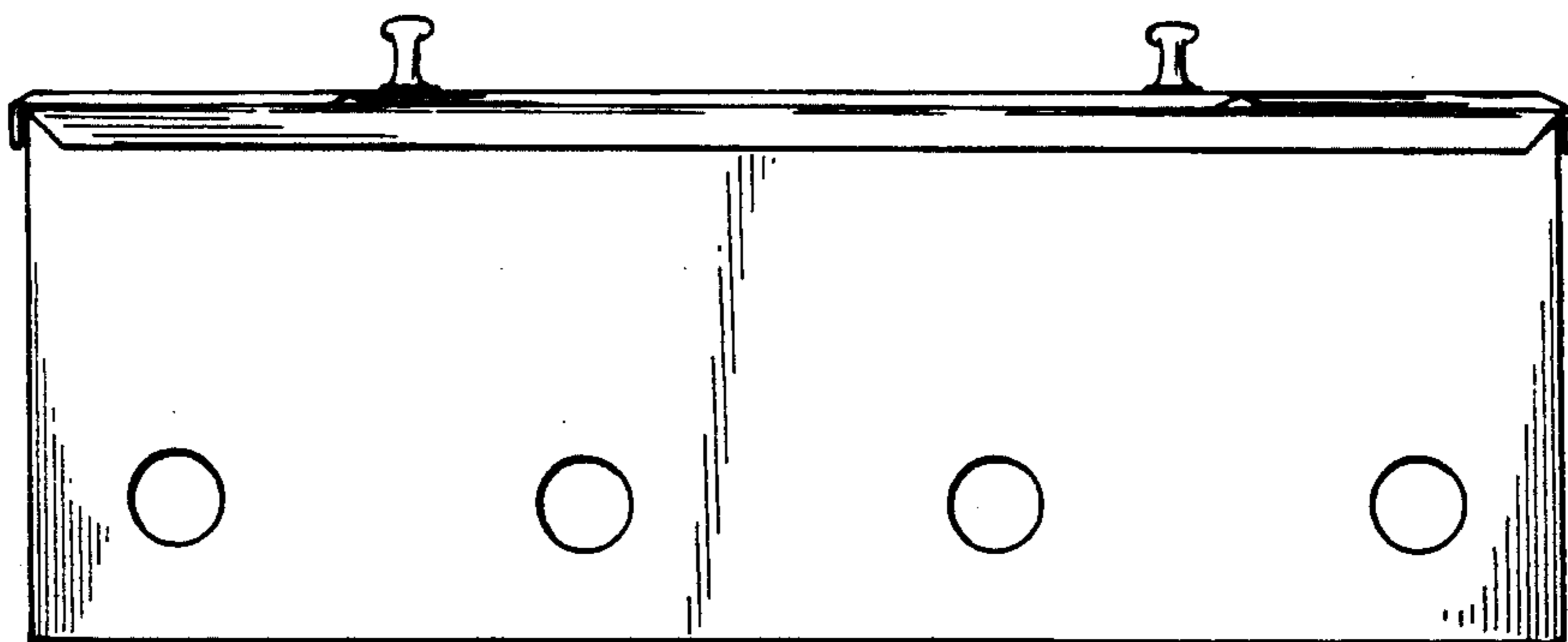


FIG. 2

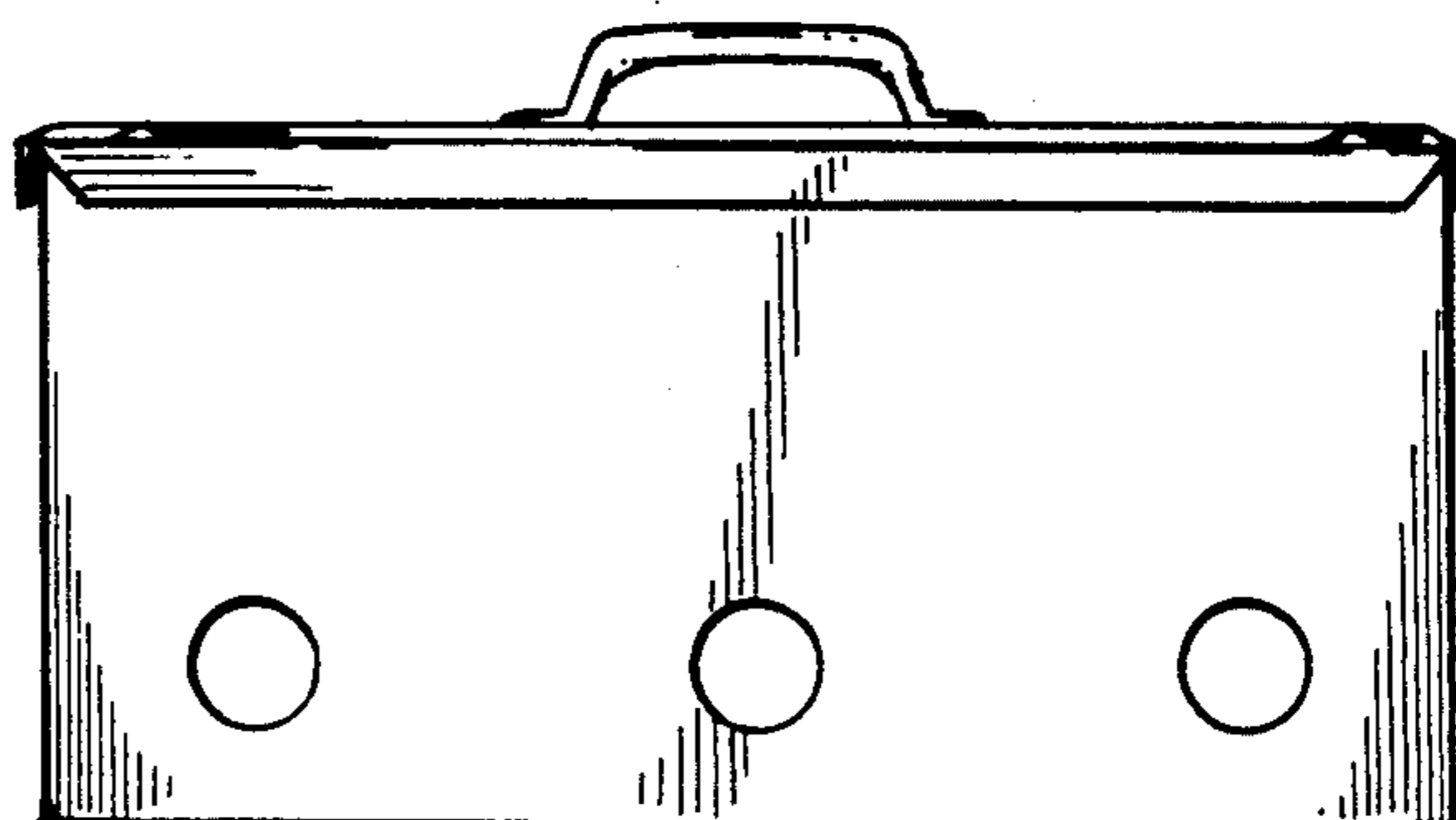


FIG. 3

FIG. 4

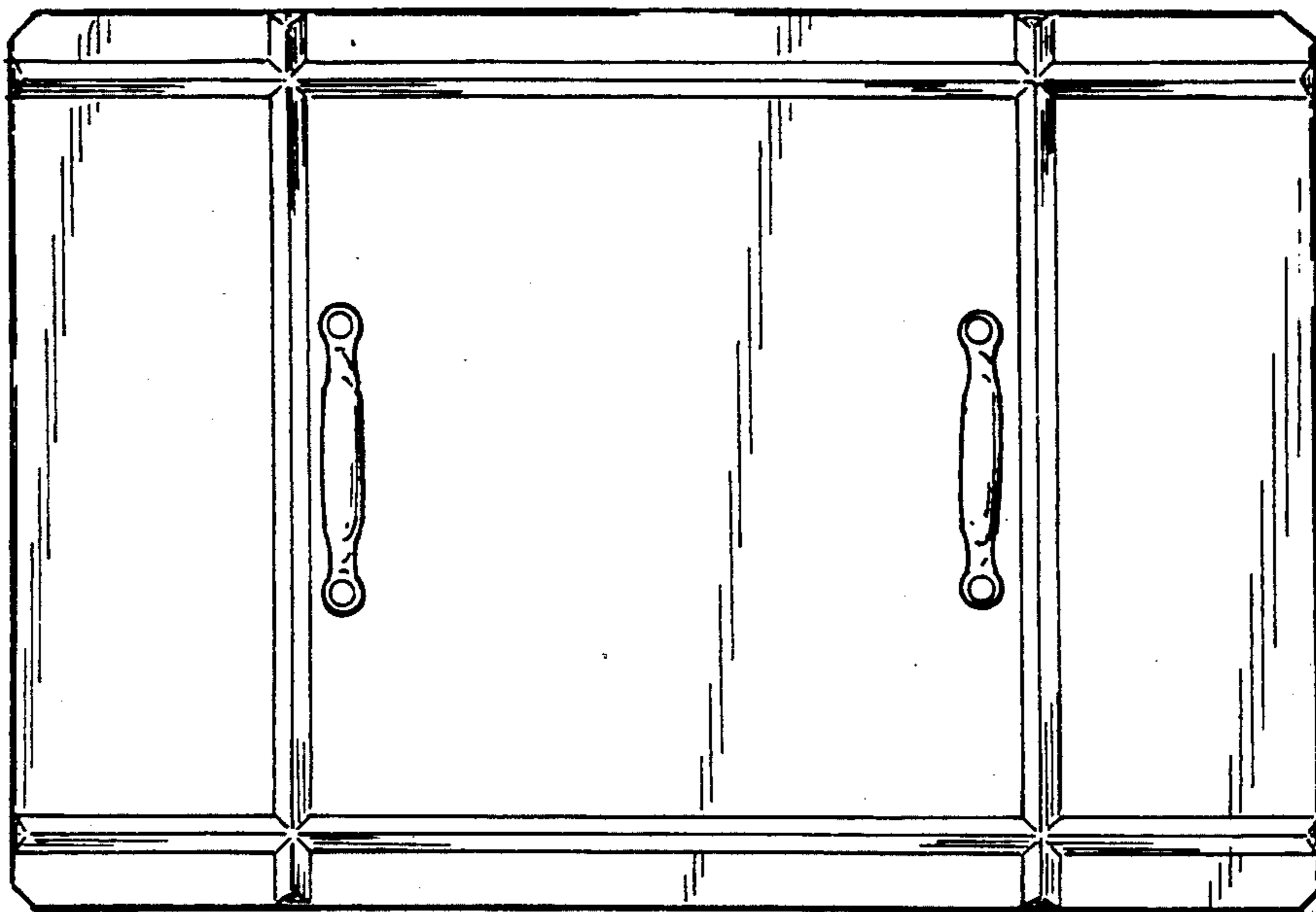


FIG. 5

