



US00D333581S

# United States Patent [19]

[11] Patent Number: **Des. 333,581**

**Macsentì et al.**

[45] Date of Patent: **\*\* Mar. 2, 1993**

[54] BIN

[75] Inventors: **Ronald J. Macsentì; Frederick M. Avery**, both of Phoenix, Ariz.

[73] Assignee: **The Niven Marketing Group**, Scottsdale, Ariz.

[\*\*] Term: **14 Years**

[21] Appl. No.: **538,519**

[22] Filed: **Jun. 15, 1990**

[52] U.S. Cl. .... **D6/510**

[58] Field of Search ..... **D6/491, 492, 509-511, D6/406, 419, 420, 310, 311, 313, 462, 463, 470, 471; 211/181, 50, 126; 248/175, 345.1; D9/457; D20/40; D19/90, 91; D34/40; 206/425**

[56] **References Cited**

**U.S. PATENT DOCUMENTS**

- D. 27,108 5/1897 Kraft ..... D6/313
- D. 137,877 5/1944 Smith ..... D6/406
- D. 194,377 1/1963 Krumholz ..... D6/420 X
- D. 237,672 11/1975 Taub ..... D6/510
- D. 246,593 12/1977 Paquette ..... D6/313 X

- D. 274,012 5/1984 Williams ..... D34/40
- D. 278,354 4/1985 Mahowald ..... D19/91
- 3,097,746 7/1963 Handler et al. .... D6/510 X
- 3,532,225 10/1970 Reed ..... 248/175 X
- 3,550,888 12/1970 Lehrman ..... 248/175 X
- 4,979,759 12/1990 Solovay ..... 248/175 X

*Primary Examiner*—Nelson C. Holtje  
*Assistant Examiner*—J. E. Seeger  
*Attorney, Agent, or Firm*—Wallenstein, Wagner & Hattis, Ltd.

[57] **CLAIM**

The ornamental design for a bin, as shown and described.

**DESCRIPTION**

FIG. 1 is a perspective view of a bin, showing our new design;  
FIG. 2 is a top plan view;  
FIG. 3 is a side elevational view, the opposite side being a mirror image thereof;  
FIG. 4 is a front elevational view;  
FIG. 5 is a rear elevational view; and,  
FIG. 6 is a bottom plan view thereof.

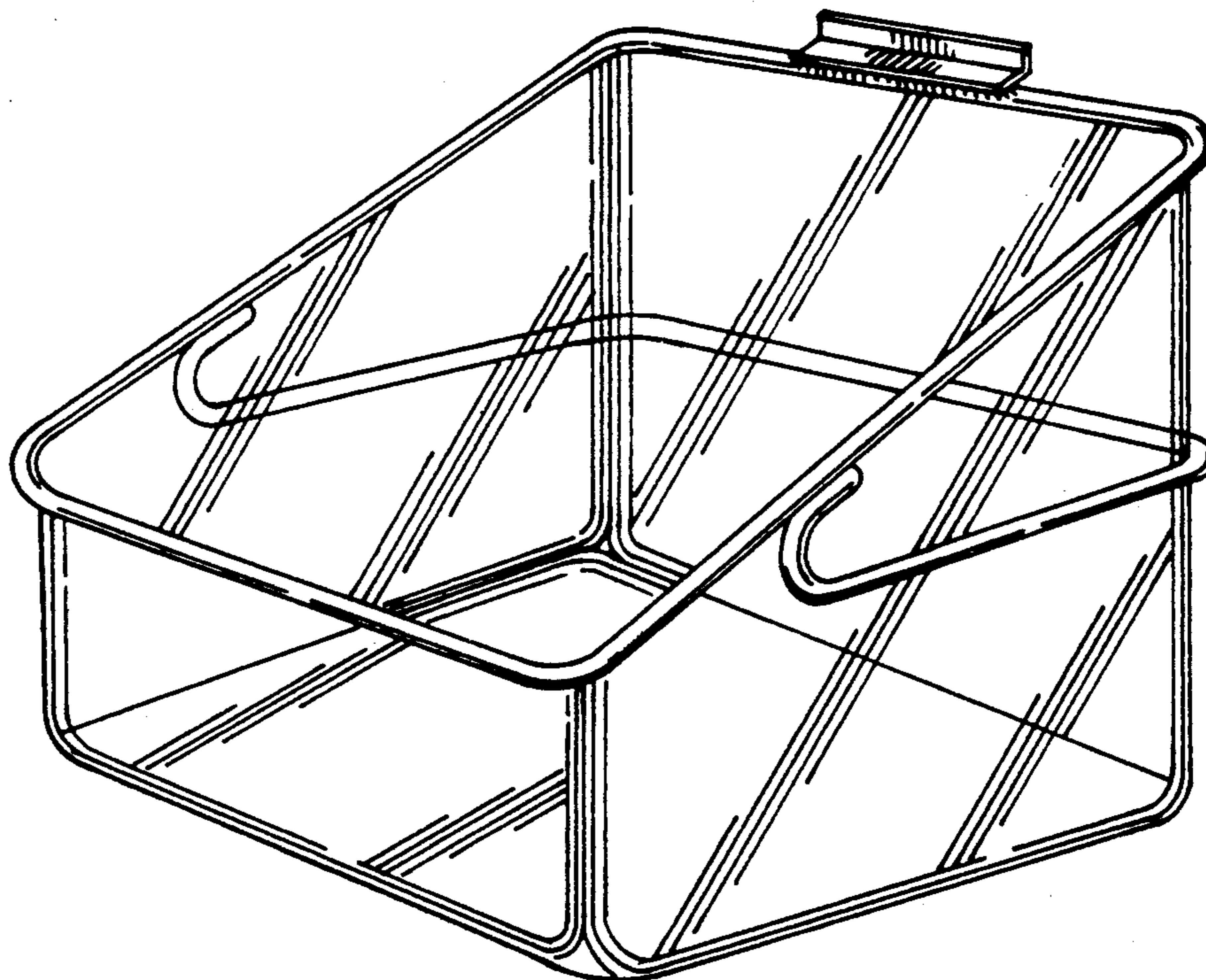


FIG. 1

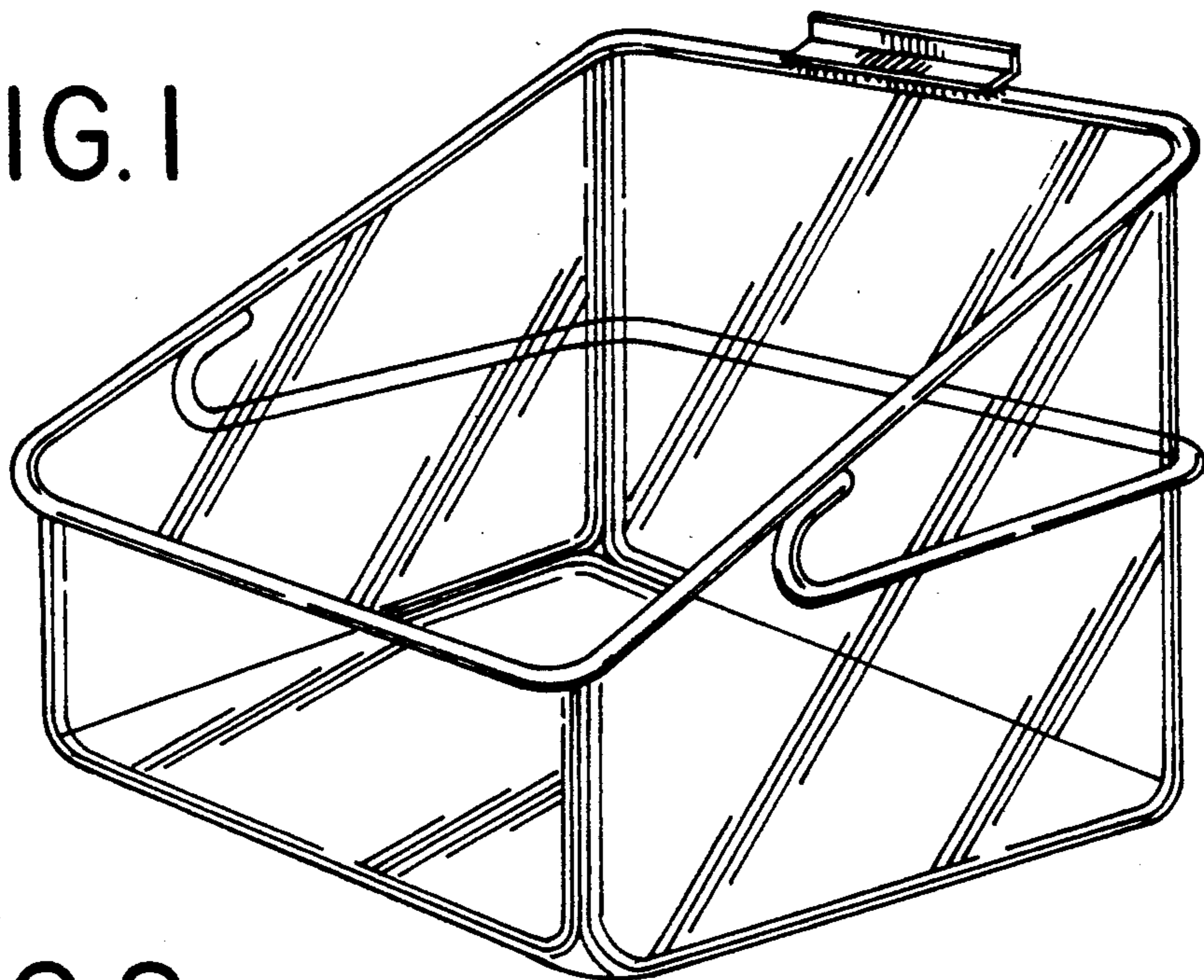


FIG. 2

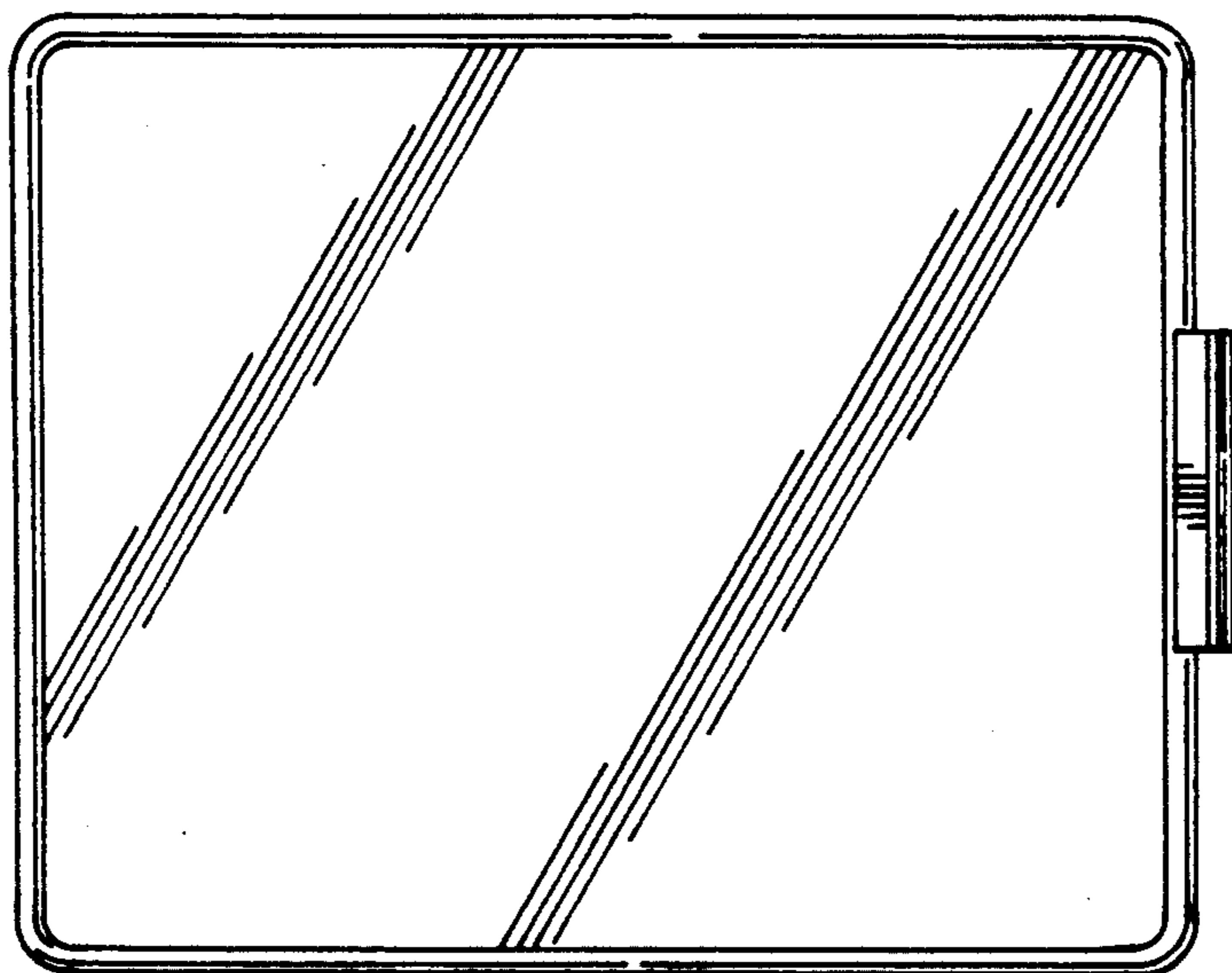


FIG. 3

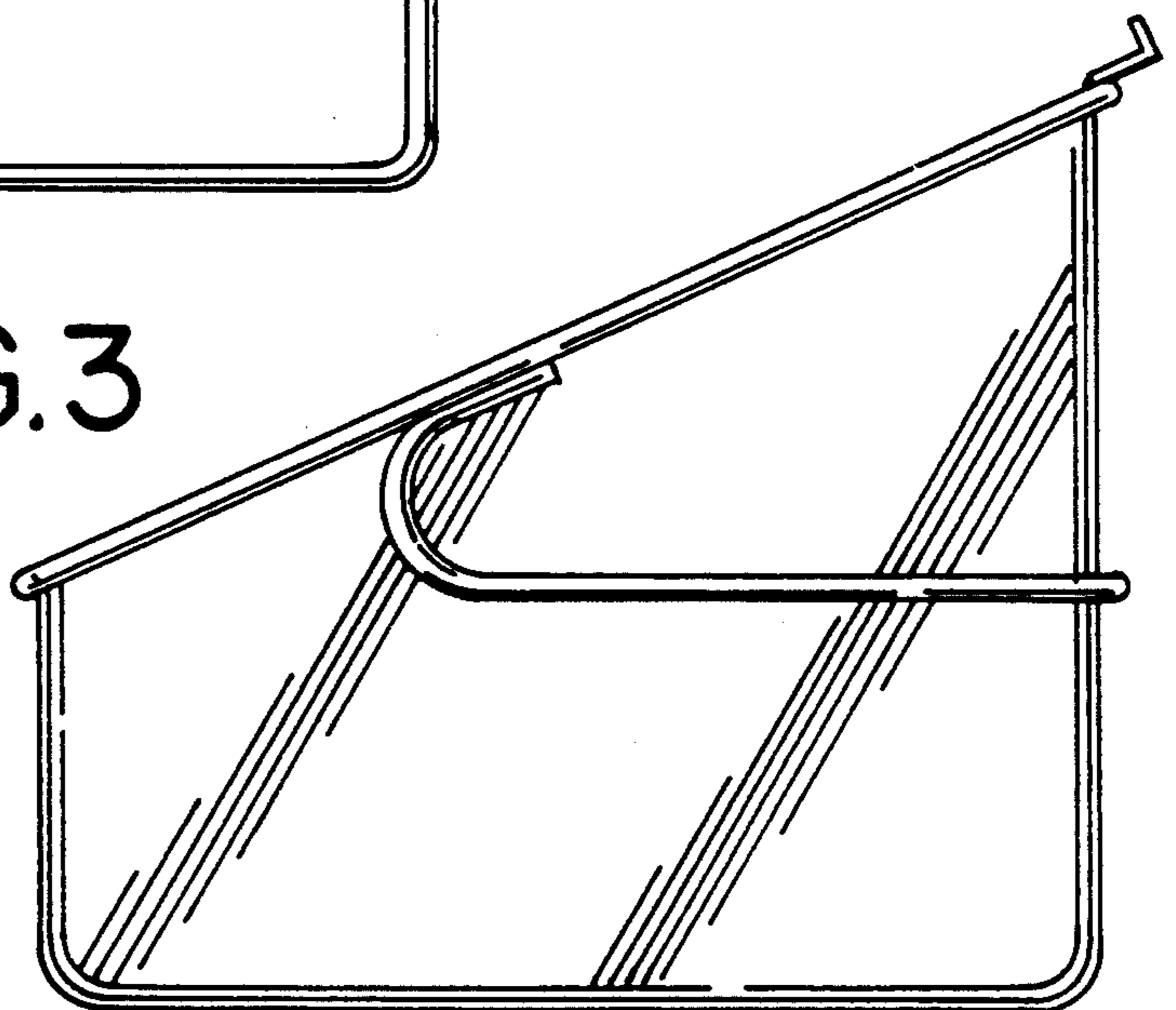


FIG.4

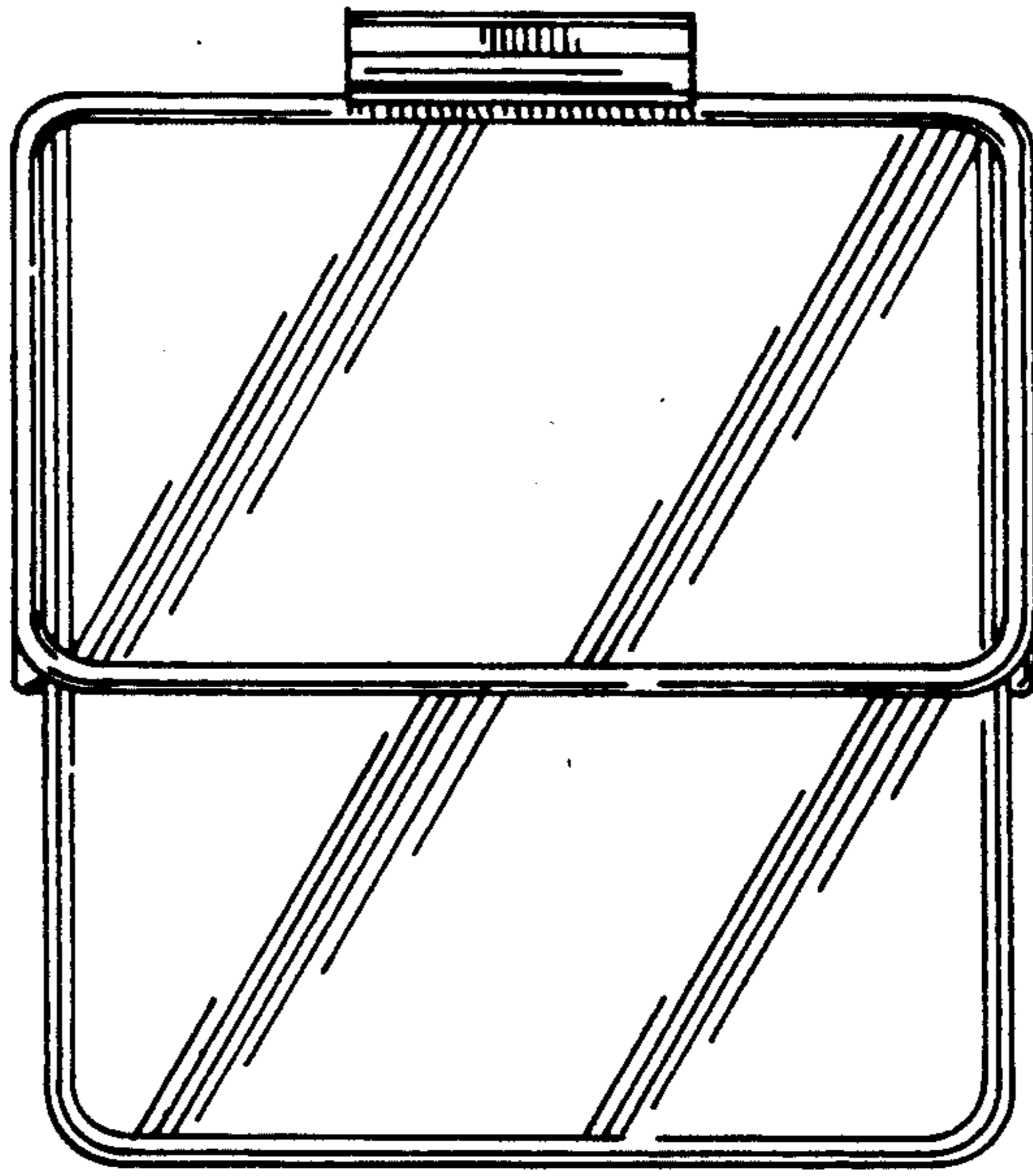


FIG.5

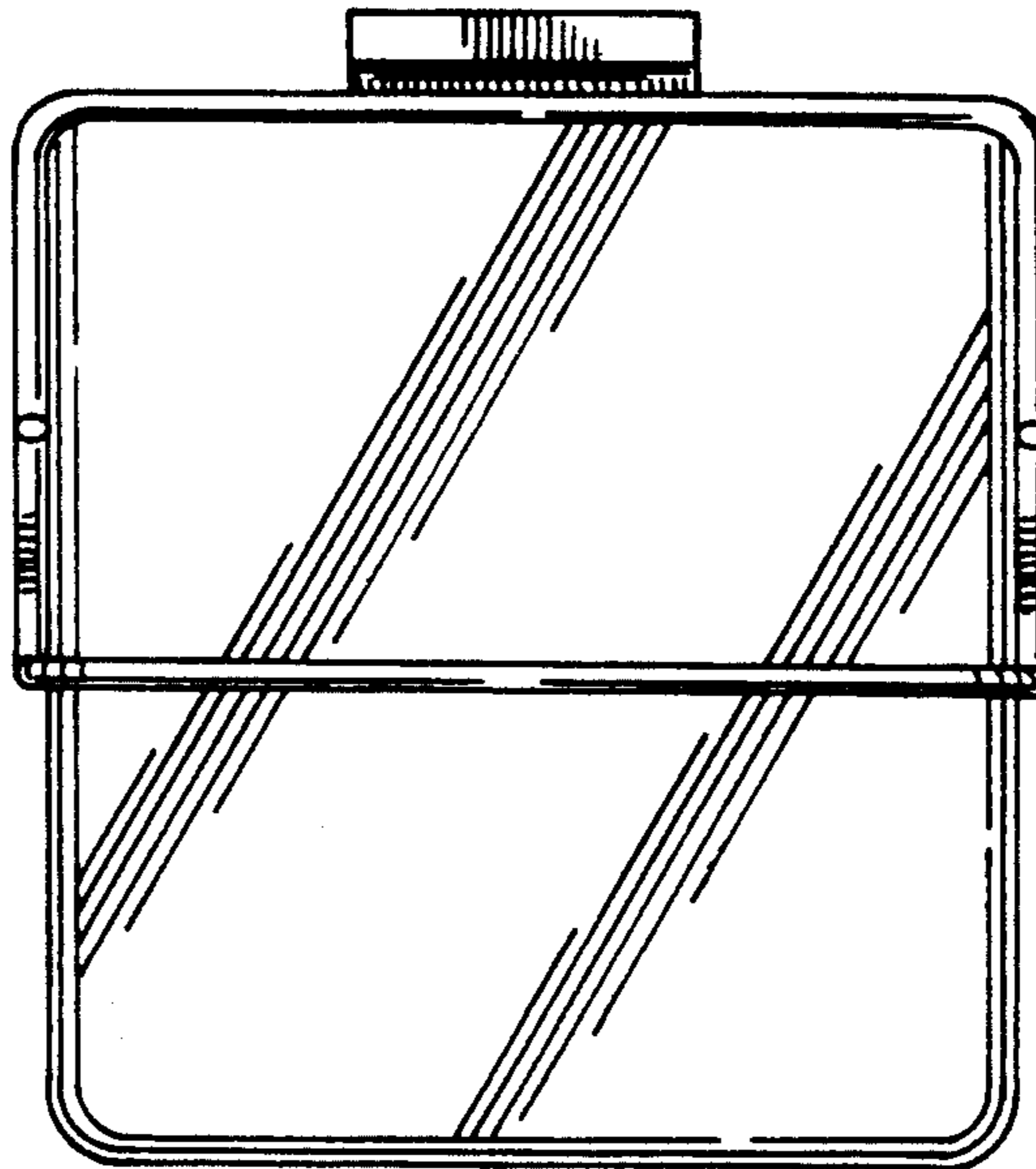


FIG.6

