



US00D333577S

# United States Patent [19]

Danko

[11] Patent Number: **Des. 333,577**

[45] Date of Patent: **\*\* Mar. 2, 1993**

[54] CHAIR

[76] Inventor: **Peter J. Danko**, P.O. Box 442, Accokeek, Md. 20607-0442

[\*\*] Term: **14 Years**

[21] Appl. No.: **487,238**

[22] Filed: **Mar. 2, 1990**

[52] U.S. Cl. .... **D6/380; D6/334**

[58] Field of Search ..... **D6/334, 369, 370, 374, D6/379, 380, 499, 500, 501, 502; 297/DIG. 2**

[56] **References Cited**

**U.S. PATENT DOCUMENTS**

D. 134,532	12/1942	Mastrangelo	.....	D6/374
D. 250,980	2/1979	Glaser	.....	D6/369
D. 308,302	6/1990	Dozsa-Farkas	.....	D6/379
D. 309,991	8/1990	Miller	.....	D6/380
D. 319,355	8/1991	Hess	.....	D6/370 X

*Primary Examiner*—Alan P. Douglas

*Assistant Examiner*—Gary D. Watson  
*Attorney, Agent, or Firm*—Adduci, Mastriani, Meeks & Schill

[57] **CLAIM**

The ornamental design for a chair, as shown and described.

**DESCRIPTION**

FIG. 1 is a right-front perspective view of a chair showing my new design;  
 FIG. 2 is a front elevational view;  
 FIG. 3 is a left side elevational view, the right side being a mirror image thereof;  
 FIG. 4 is a rear elevational view;  
 FIG. 5 is a top plan view;  
 FIG. 6 is a right side elevational view showing a second embodiment of my new design, the right side being a mirror image thereof;  
 FIG. 7 is a front elevational view of FIG. 6; and,  
 FIG. 8 is a top plan view of FIG. 6.

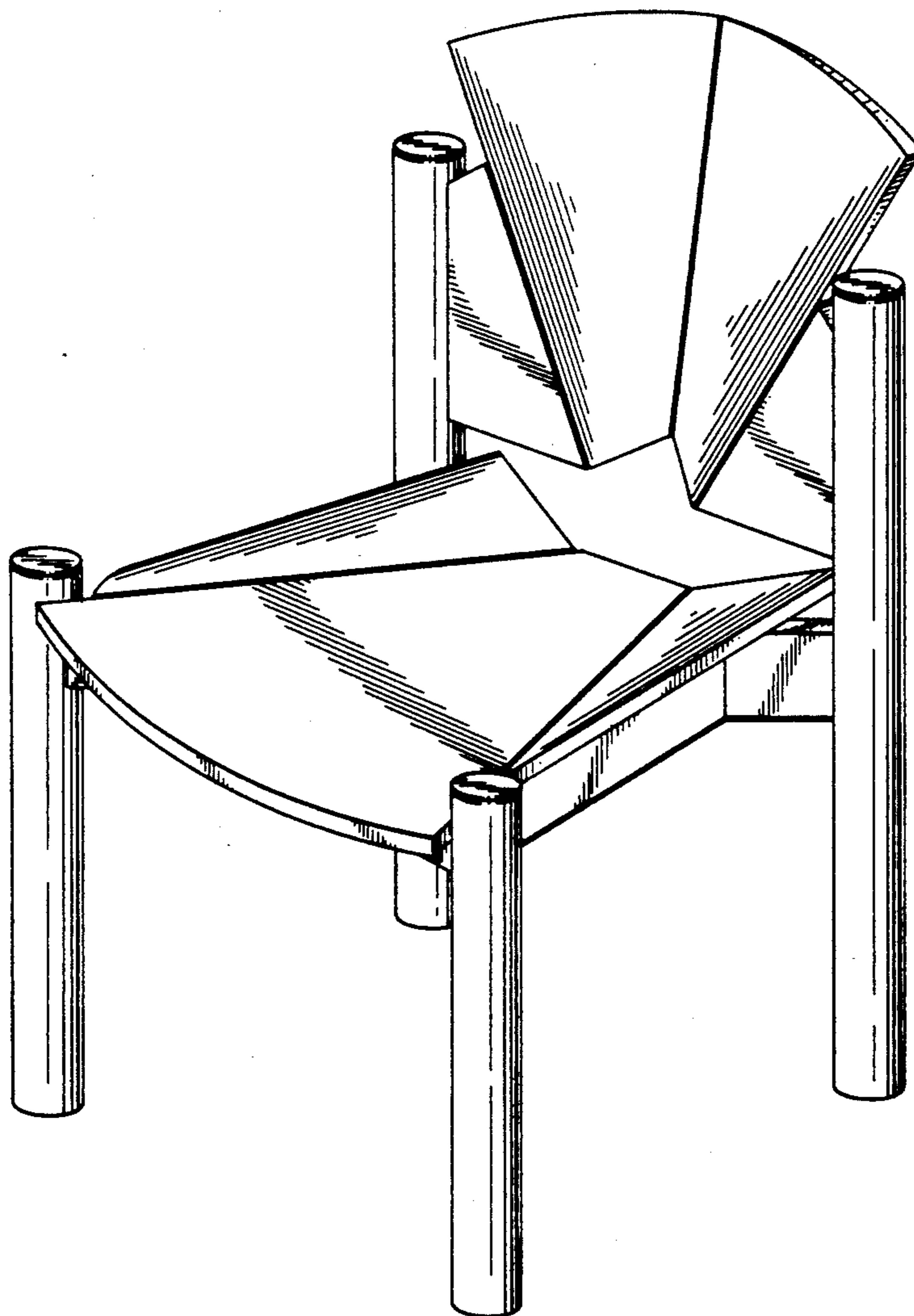


FIG. 1

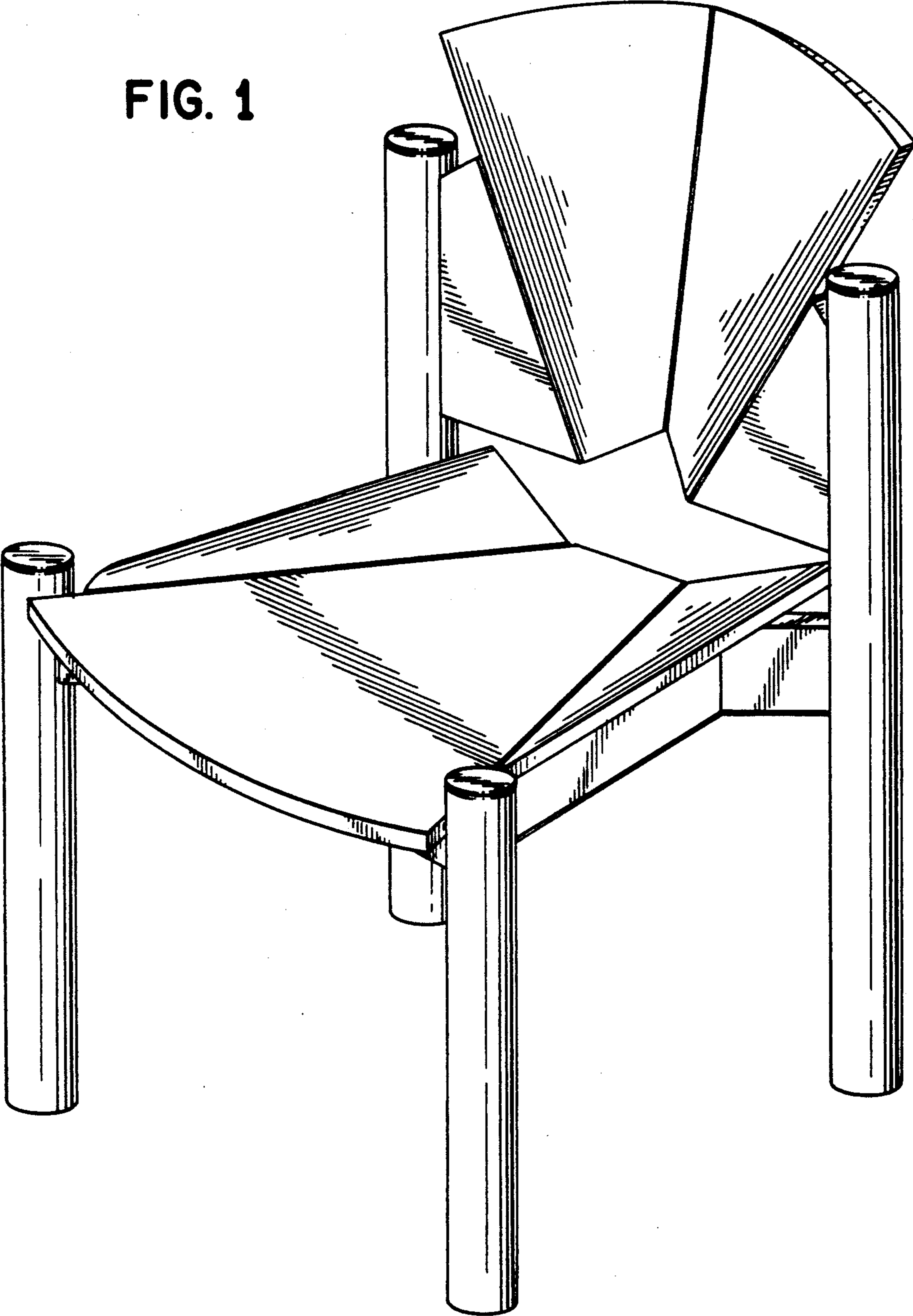


FIG. 2

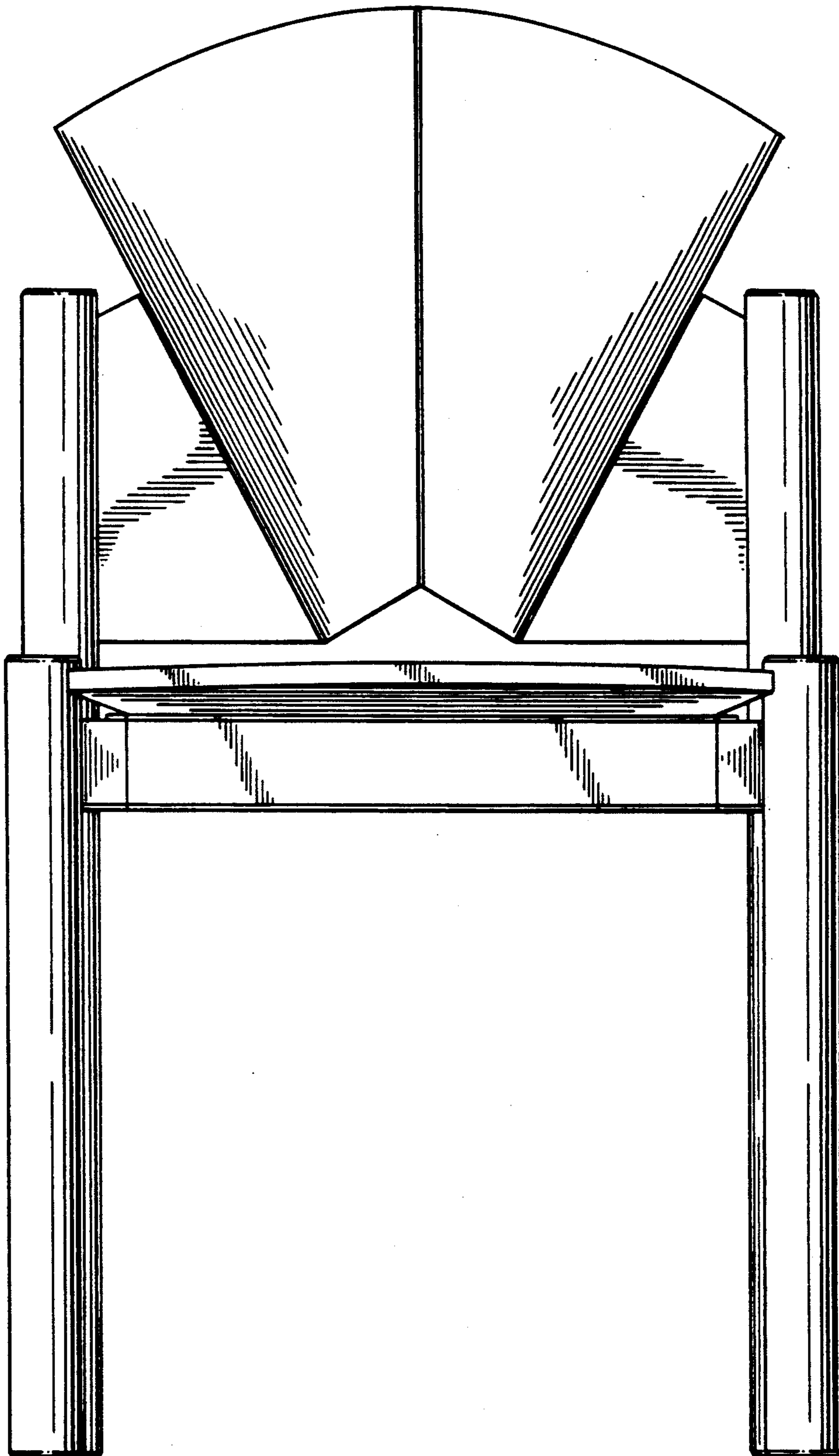


FIG. 3

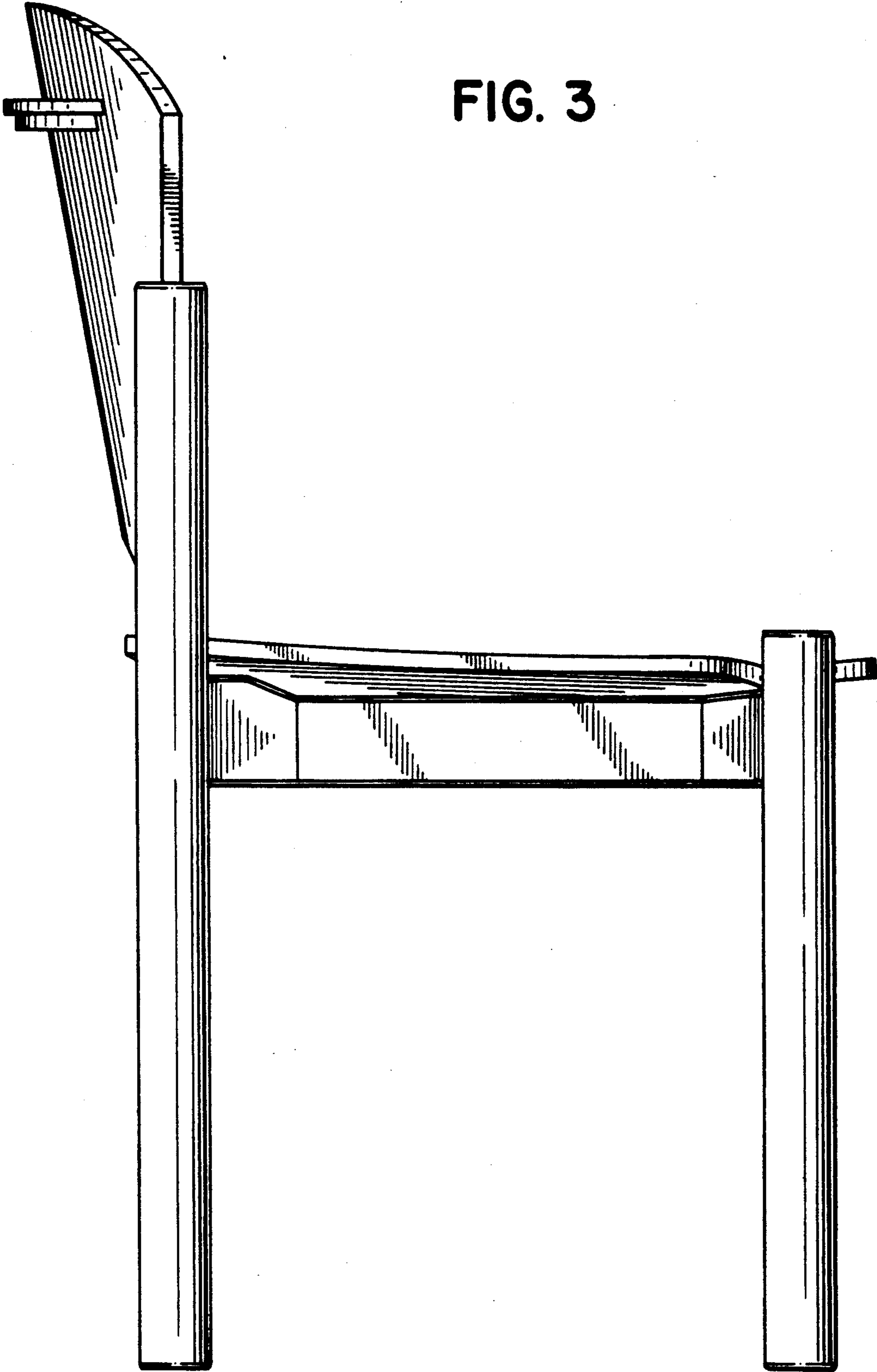


FIG. 4

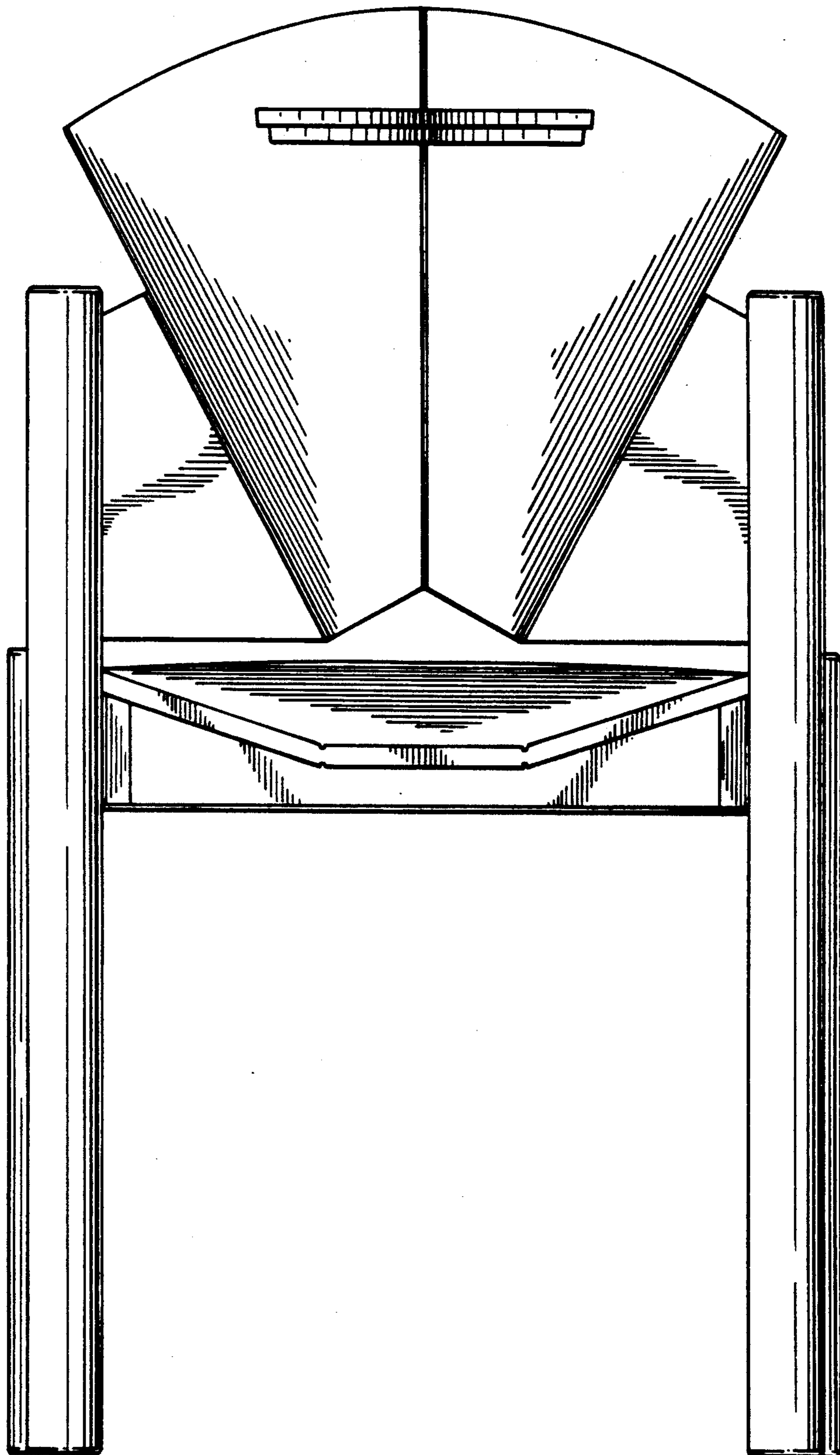


FIG. 5

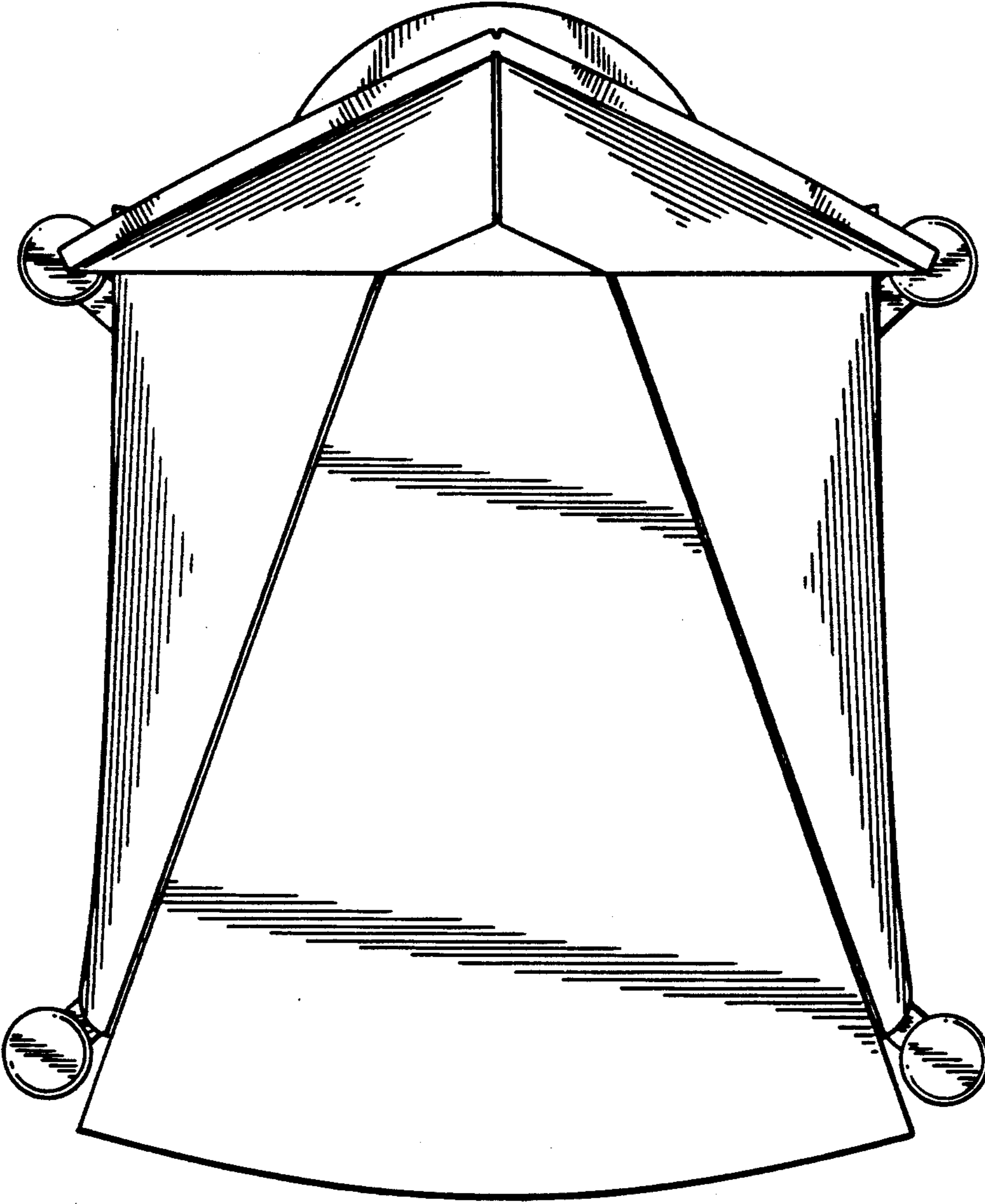


FIG. 6

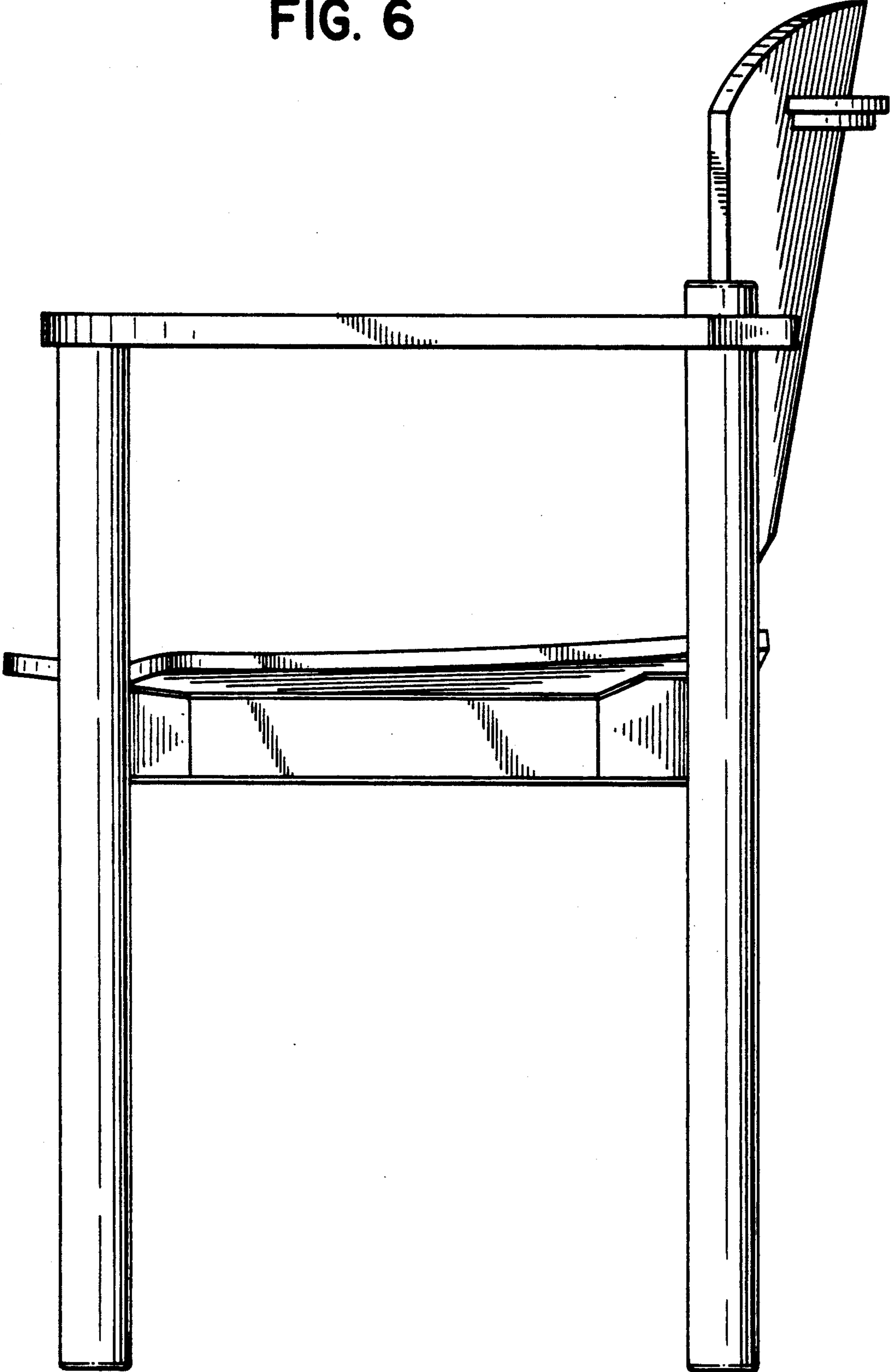


FIG. 7

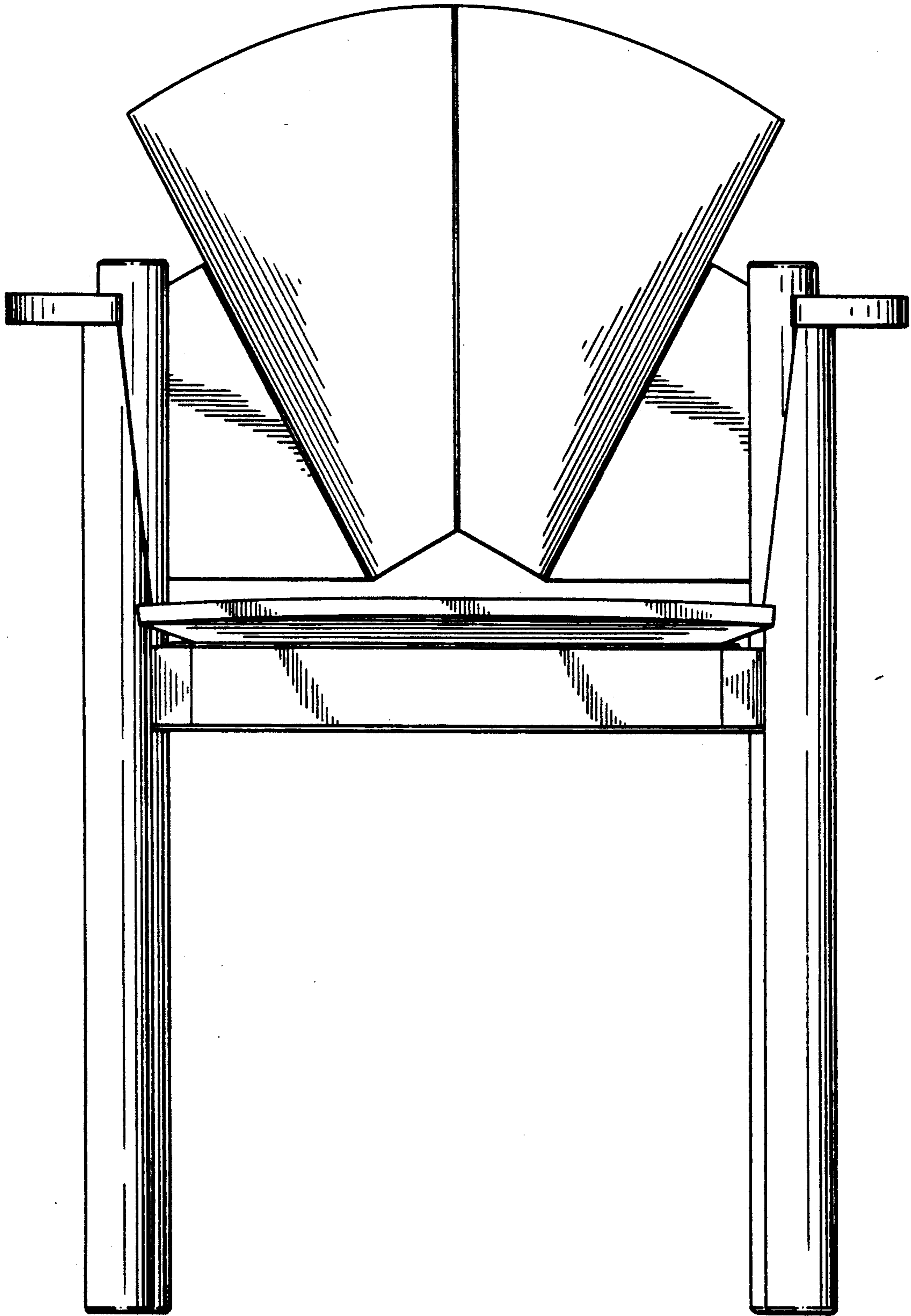




FIG. 8

