



US00D333575S

**United States Patent** [19]  
**Hanson**

[11] **Patent Number: Des. 333,575**  
[45] **Date of Patent: \*\* Mar. 2, 1993**

[54] **MINIATURE ROCKING CHAIR**

5,000,514 3/1991 Hanson ..... D6/348

[76] **Inventor: Milo D. Hanson, P.O. Box 634, Gold Beach, Oreg. 97444**

*Primary Examiner*—Alan P. Douglas  
*Assistant Examiner*—Gary D. Watson  
*Attorney, Agent, or Firm*—John F. Ingman

[\*\*] **Term: 14 Years**

[57] **CLAIM**

[21] **Appl. No.: 490,279**

The ornamental design for a miniature rocking chair, as shown and described.

[22] **Filed: Mar. 8, 1990**

**DESCRIPTION**

[52] **U.S. Cl. .... D6/348; D6/404; D21/123**

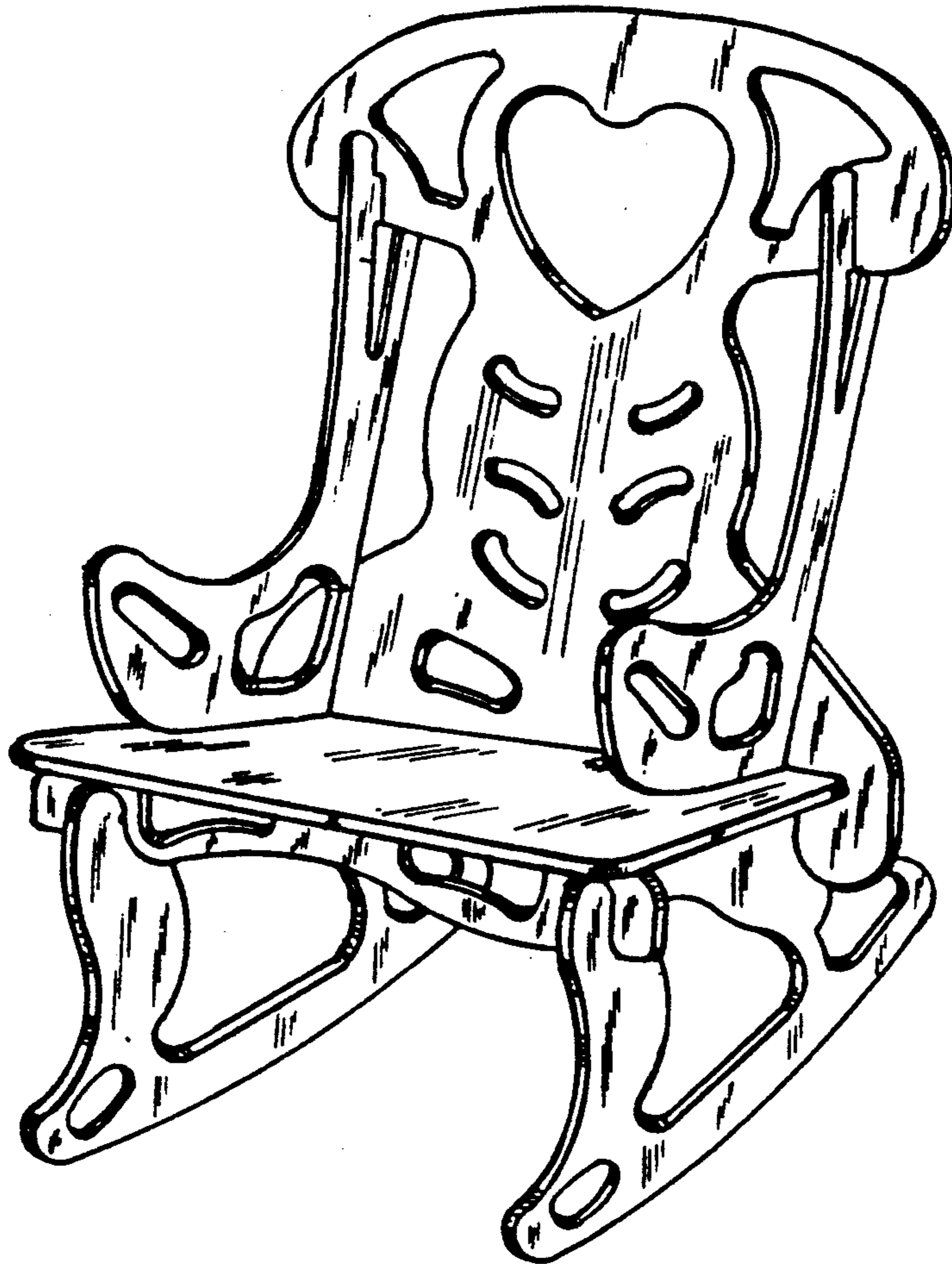
[58] **Field of Search ..... D6/334, 335, 348, 368, D6/379, 380, 404, 500, 501, 502; D11/149; D21/123; 297/258, 259, 260**

[56] **References Cited**

**U.S. PATENT DOCUMENTS**

D. 63,045	9/1923	Strickland	.....	D6/348
D. 181,561	11/1957	Voll	.....	D6/404
D. 194,050	11/1962	Charpentier	.....	D6/404
D. 289,234	4/1987	Hoult	.....	D6/348
D. 301,091	5/1989	Kimball	.....	D6/348
D. 302,216	7/1989	Roland	.....	D6/348
D. 319,929	9/1991	Smith	.....	D6/348

FIG. 1 is a right-front perspective view of a miniature rocking chair showing my new design;  
FIG. 2 is a right side elevational view, the left side being a mirror image thereof;  
FIG. 3 is a bottom plan view;  
FIG. 4 is a rear elevational view;  
FIG. 5 is a top plan view;  
FIG. 6 is a right-front perspective view showing a second embodiment of my new design;  
FIG. 7 is a right side elevational view of FIG. 6, the left side being a mirror image thereof;  
FIG. 8 is a bottom plan view of FIG. 6;  
FIG. 9 is a rear elevational view of FIG. 6; and,  
FIG. 10 is a top plan view of FIG. 6.



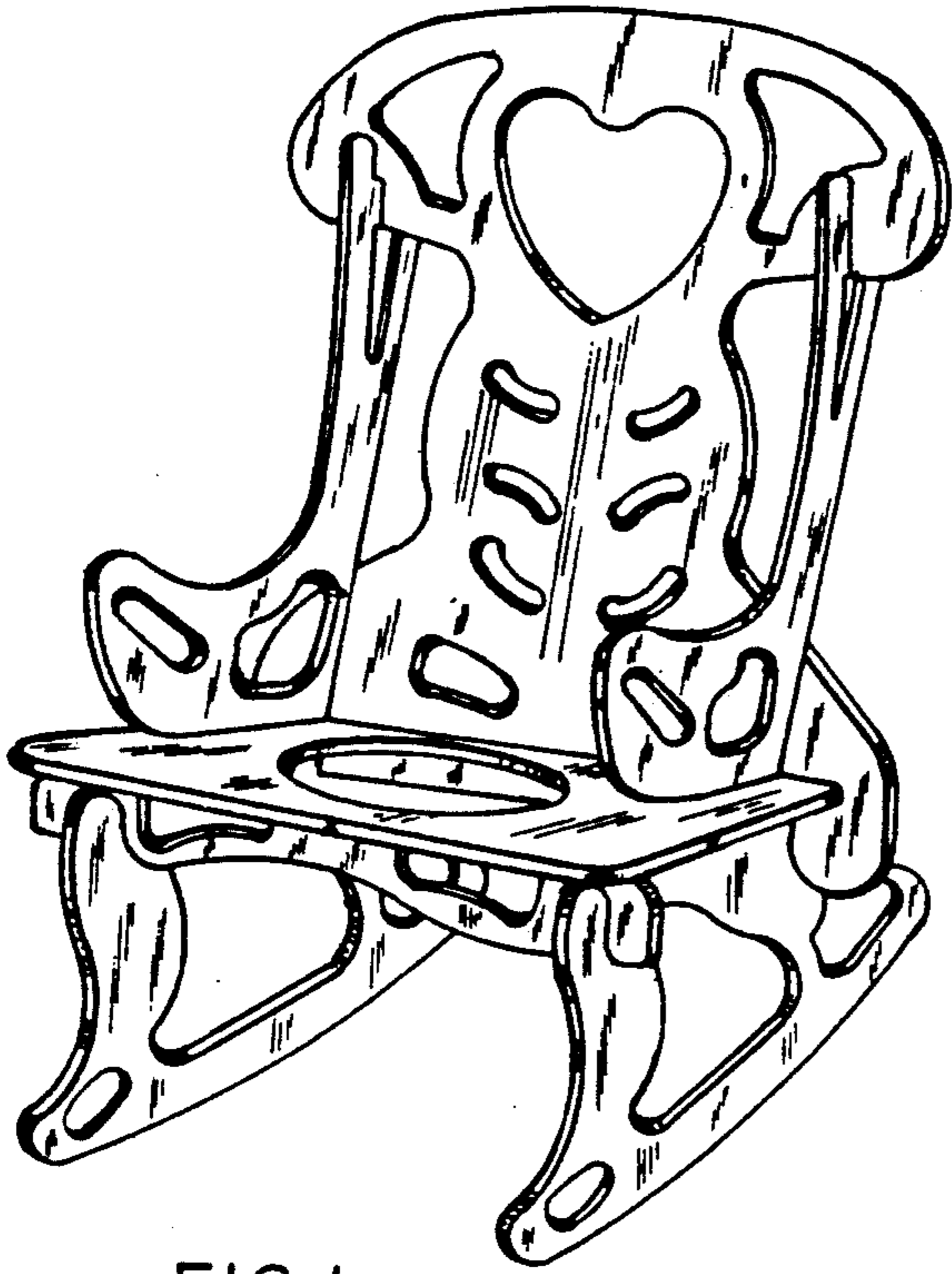


FIG. 1

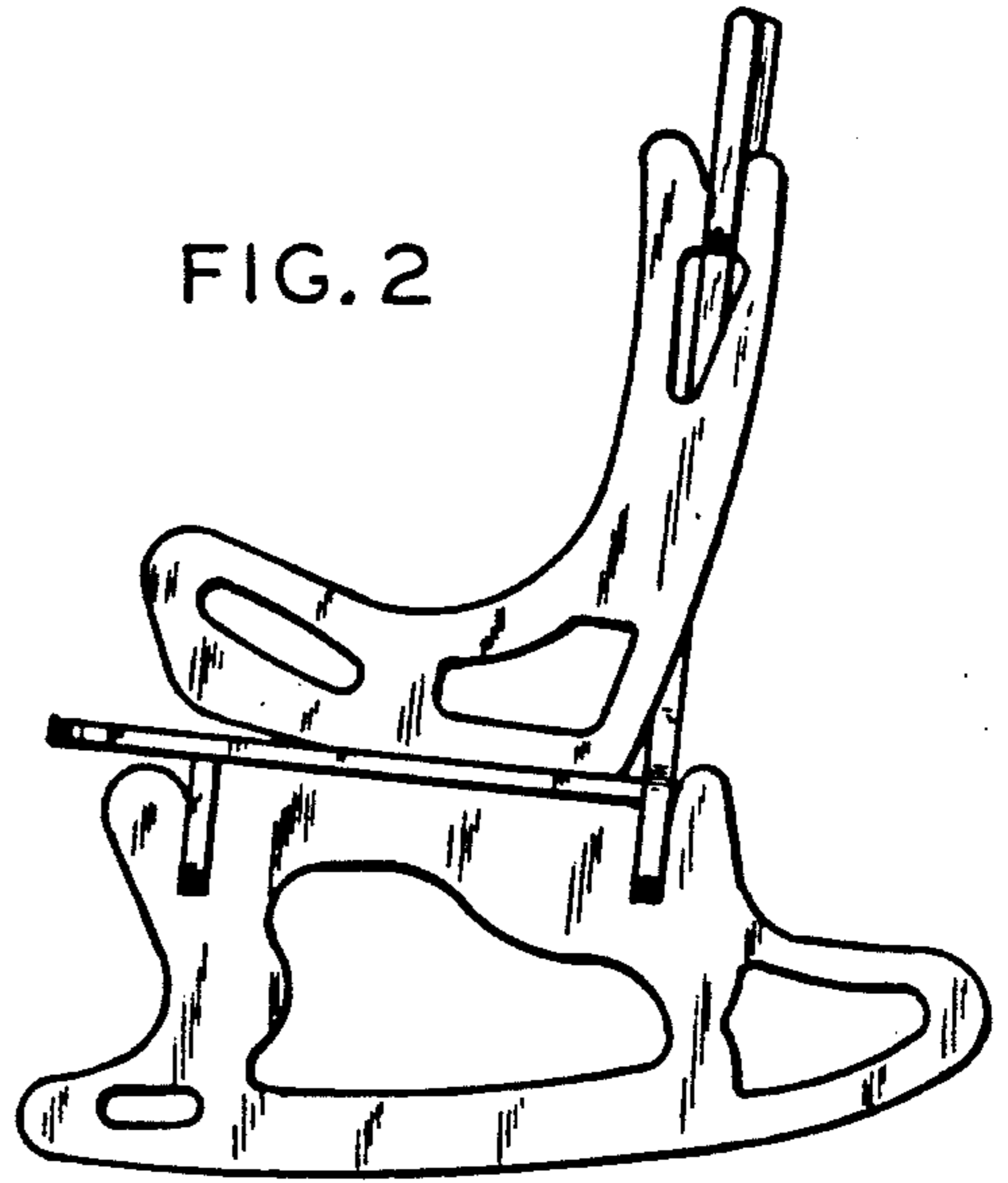


FIG. 2

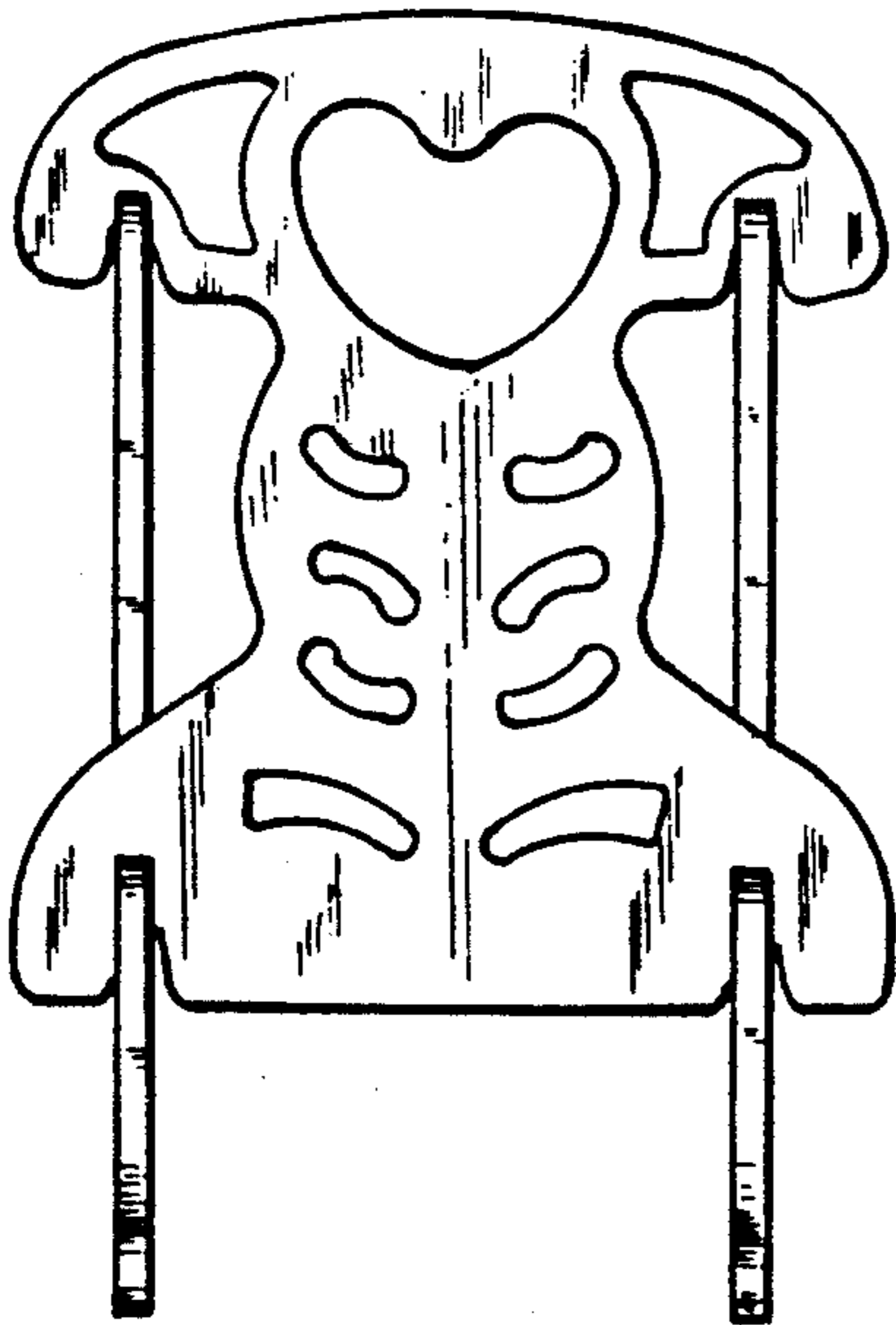


FIG. 4

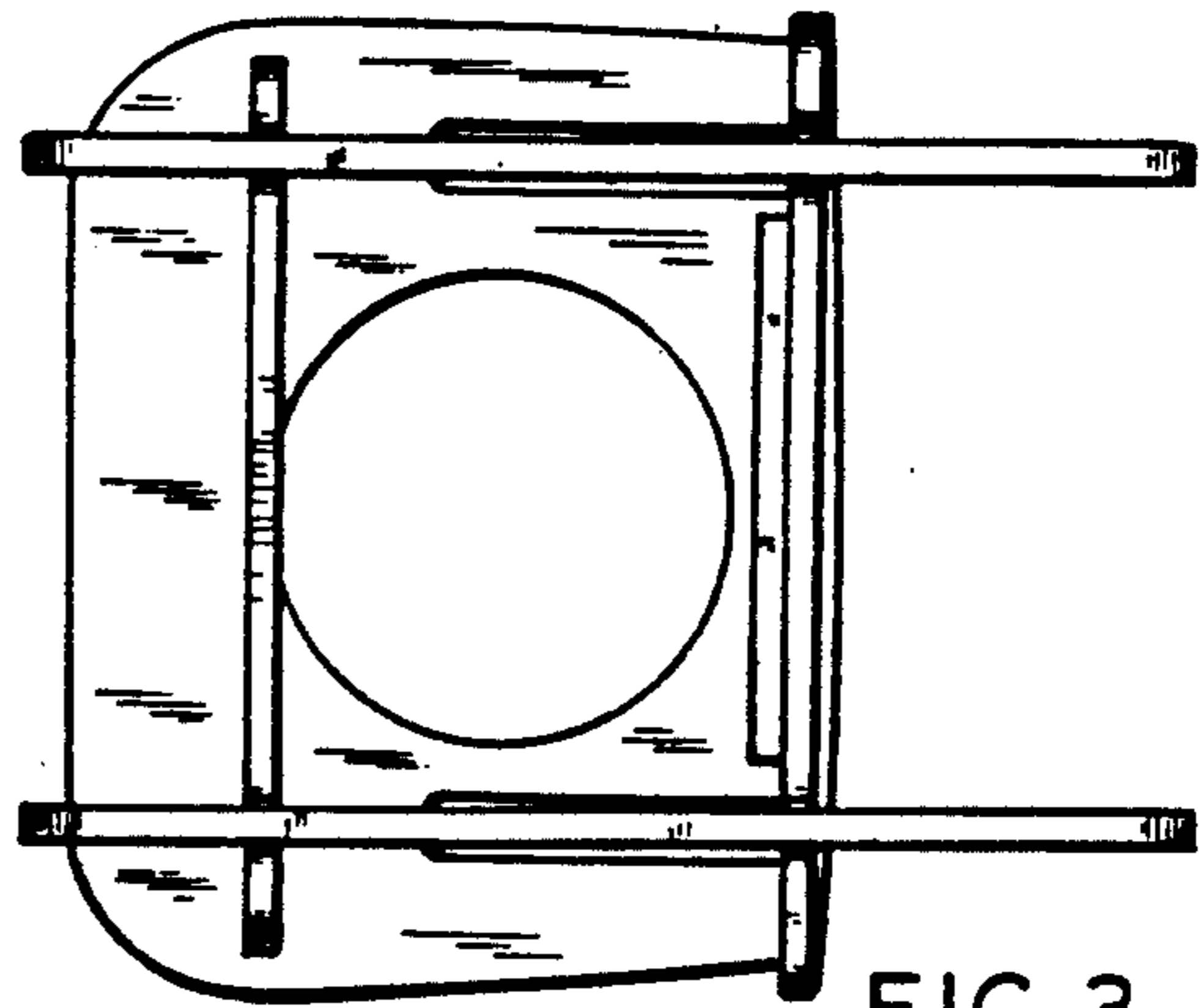


FIG. 3

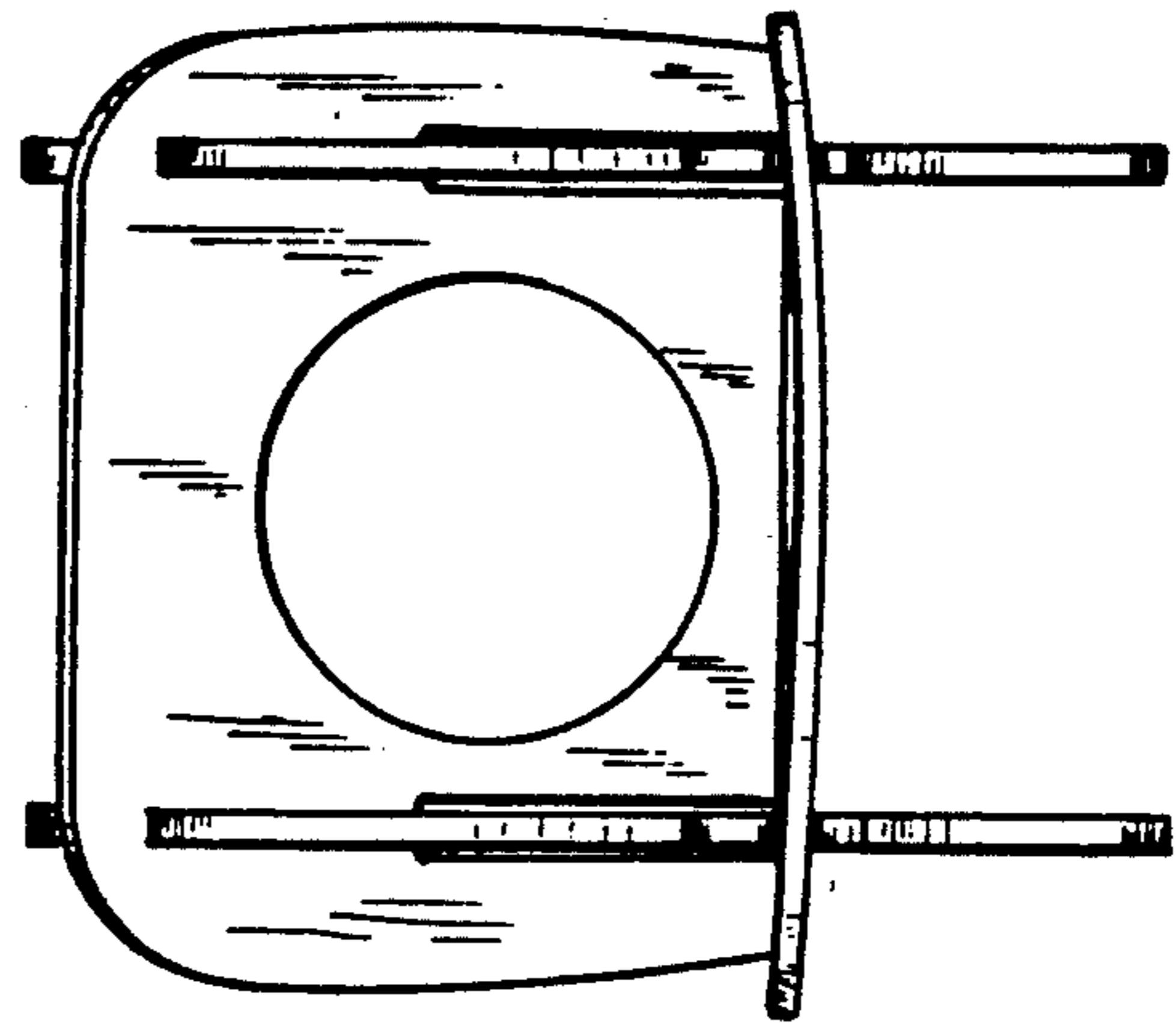


FIG. 5

