



US00D333569S

United States Patent [19]
VanOrden

[11] **Patent Number: Des. 333,569**
[45] **Date of Patent: ** Mar. 2, 1993**

[54] **SPEED SQUARE BELT POUCH**
[76] **Inventor: Daniel M. VanOrden, 33 S. Gifford St. Rear, Butler, N.J. 07405**
[**] **Term: 14 Years**
[21] **Appl. No.: 756,769**
[22] **Filed: Sep. 9, 1991**
[52] **U.S. Cl. D3/105**
[58] **Field of Search D3/100, 101, 102, 105, D3/106; D2/630; 224/252, 245, 253, 904, 906, 248, 231, 911, 240, 231, 223, 243**

4,819,847 4/1989 Anderson 224/252
5,016,796 5/1991 Johnson 224/253 X

Primary Examiner—A. Hugo Word
Assistant Examiner—Doris V. Coles
Attorney, Agent, or Firm—Leon Gilden

[57] **CLAIM**

The ornamental design for a speed square belt pouch, as shown and described.

DESCRIPTION

FIG. 1 is a front elevational view of the speed square belt pouch showing my new design;
FIG. 2 is a rear elevational view thereof;
FIG. 3 is a left side elevational view thereof;
FIG. 4 is a right side elevational view thereof;
FIG. 5 is a top plan view thereof; and,
FIG. 6 is a bottom plan view thereof.
The broken line shown of a speed square is for illustrative purposes only and forms no part of the claimed design.

[56] **References Cited**
U.S. PATENT DOCUMENTS

D. 257,410	10/1980	Rink	D3/105
D. 258,248	2/1981	Tillman	D3/105
D. 328,191	7/1992	Reitz	D3/105
2,051,844	8/1936	Green	224/243
4,223,820	9/1980	Vorsanger et al.	224/253

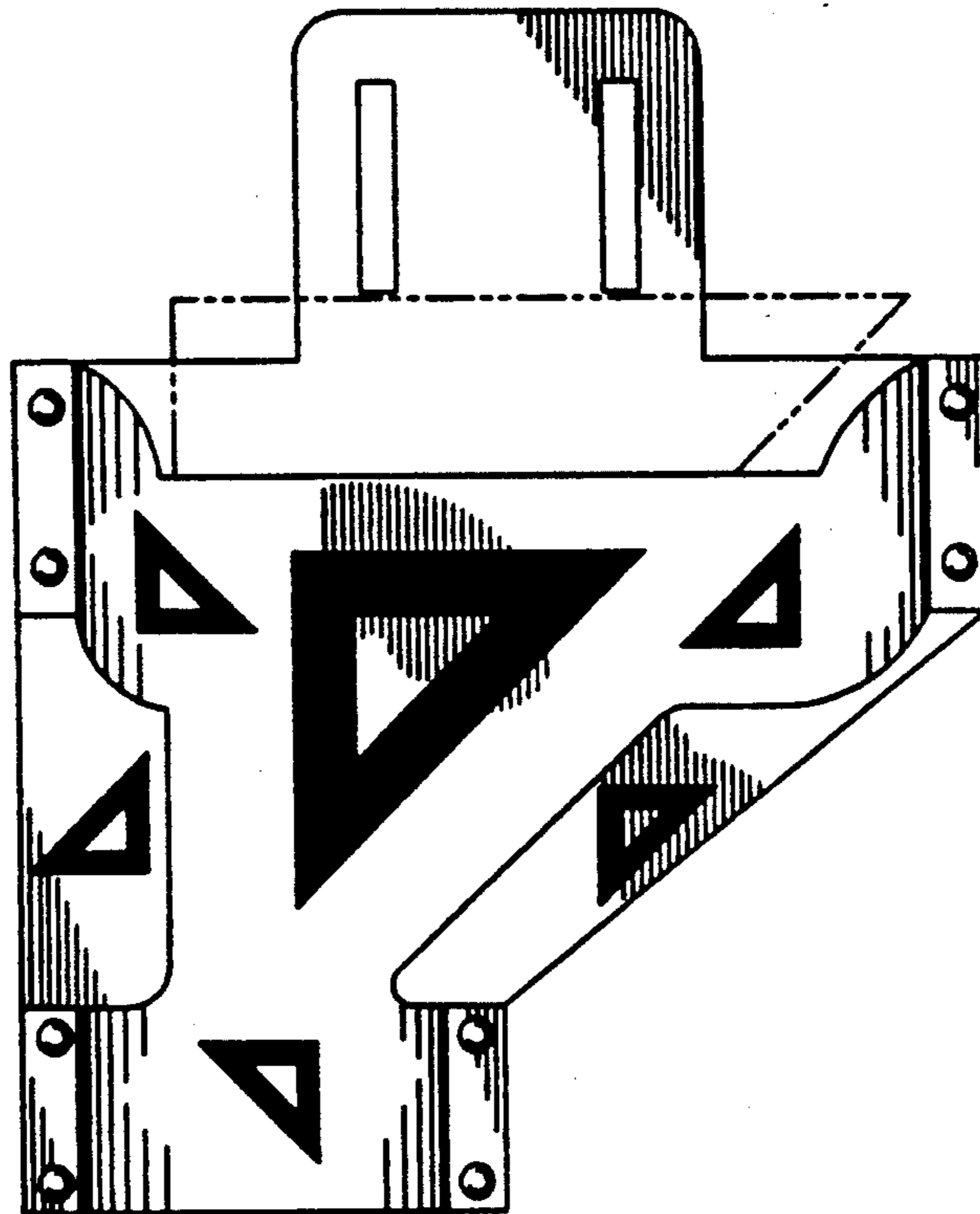


FIG. 1

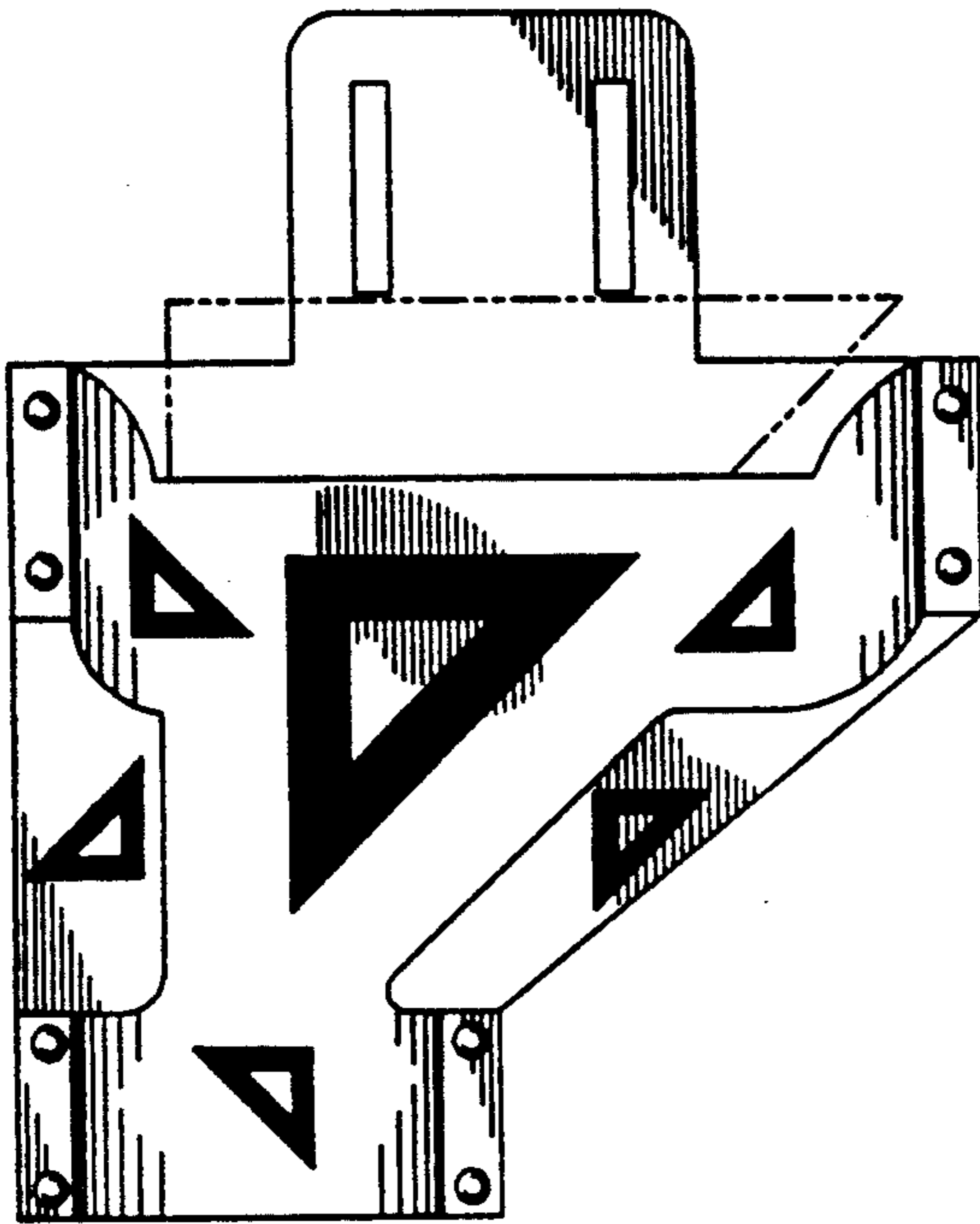


FIG. 2

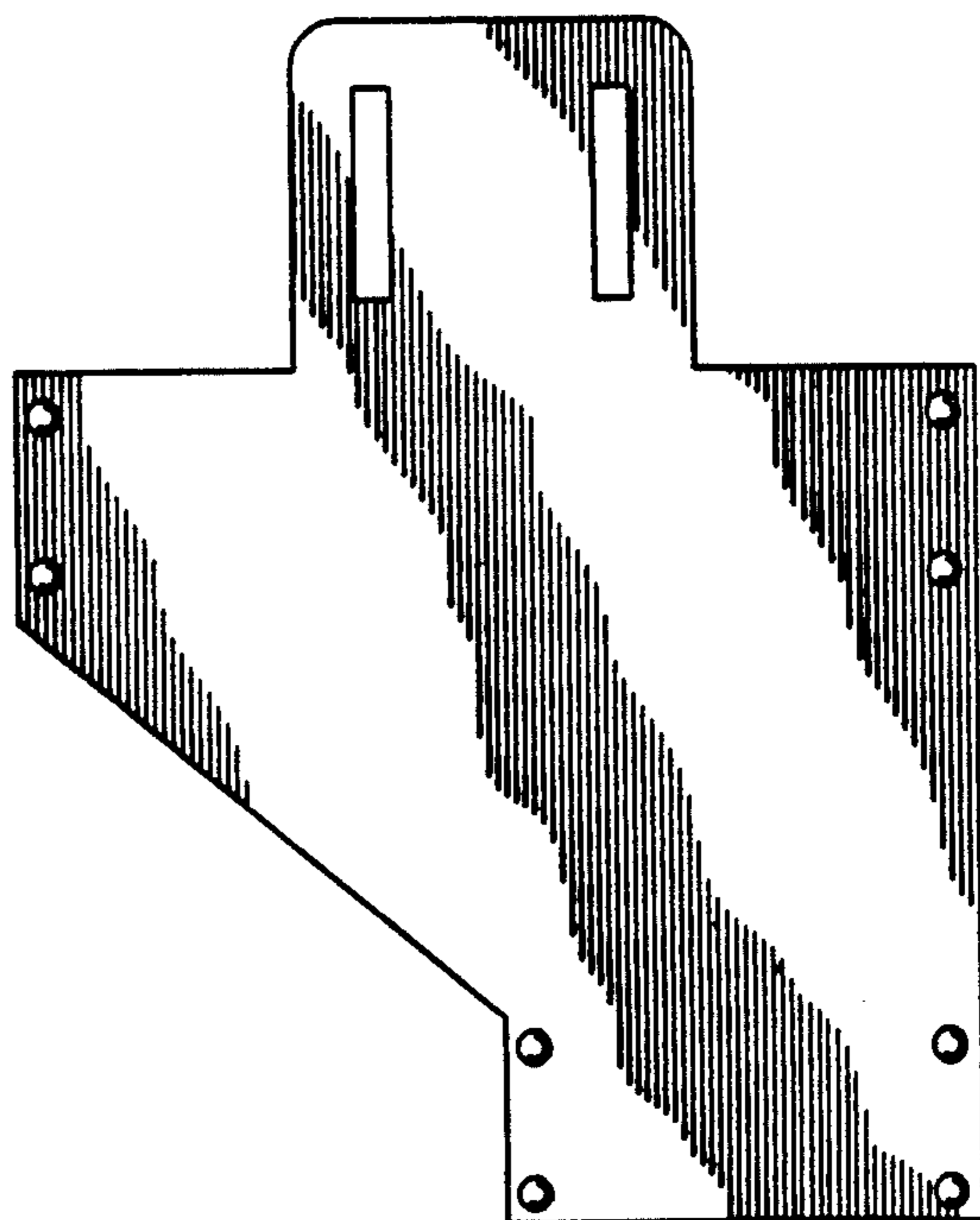


FIG. 3



FIG. 4



FIG. 5



FIG. 6

