



US00D333568S

United States Patent [19]

[11] Patent Number: **Des. 333,568**

Dickinson

[45] Date of Patent: **** Mar. 2, 1993**

[54] **TOOL BOX AND PARTS ORGANIZER**

D. 318,175 7/1991 Venanzini D3/74 X
D. 318,568 7/1991 Hakansson D3/74

[75] Inventor: **Thomas Dickinson, St. Louis, Mo.**

OTHER PUBLICATIONS

[73] Assignee: **Contico International, Inc., St. Louis, Mo.**

Contico International Flyer, prior Aug. 13, 1989; parts organizer on page.

[**] Term: **14 Years**

Primary Examiner—Carmen H. Vales-Lado
Attorney, Agent, or Firm—Rogers, Howell & Haferkamp

[21] Appl. No.: **567,617**

[57] **CLAIM**

[22] Filed: **Aug. 31, 1990**

The ornamental design for a tool box and parts organizer, as shown.

[52] U.S. Cl. **D3/74**

[58] Field of Search **D3/30.1, 74; D6/440, D6/432, 436; 312/107, 198, 126**

DESCRIPTION

[56] **References Cited**

FIG. 1 is a front elevational view of a tool box and parts organizer showing my new design; **FIG. 2** is a right side elevational view thereof; **FIG. 3** is a left side elevational view thereof; **FIG. 4** is a rear elevational view thereof; **FIG. 5** is a top plan view thereof; **FIG. 6** is a bottom plan view thereof; and, **FIG. 7** is a perspective view thereof.

U.S. PATENT DOCUMENTS

D. 62,042	3/1923	Yarder	D3/74
D. 263,896	4/1982	Glasgow	D3/30.1
D. 281,837	12/1985	Lin	D3/74
D. 282,169	1/1986	Larson	D3/30.1 X
D. 283,084	3/1986	Bannigan	D3/74
D. 283,271	4/1986	Bannigan	D3/74

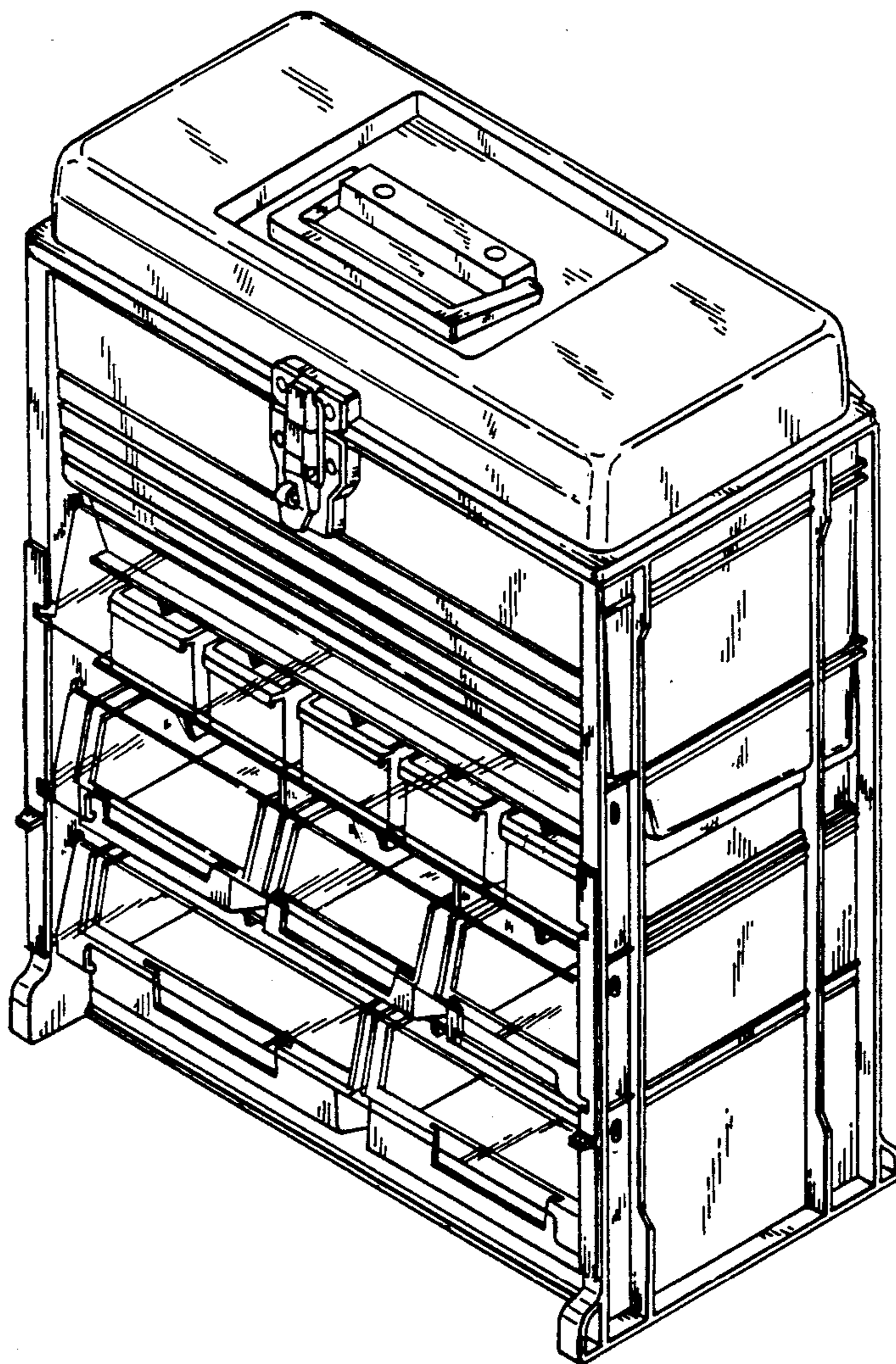


FIG. 1.

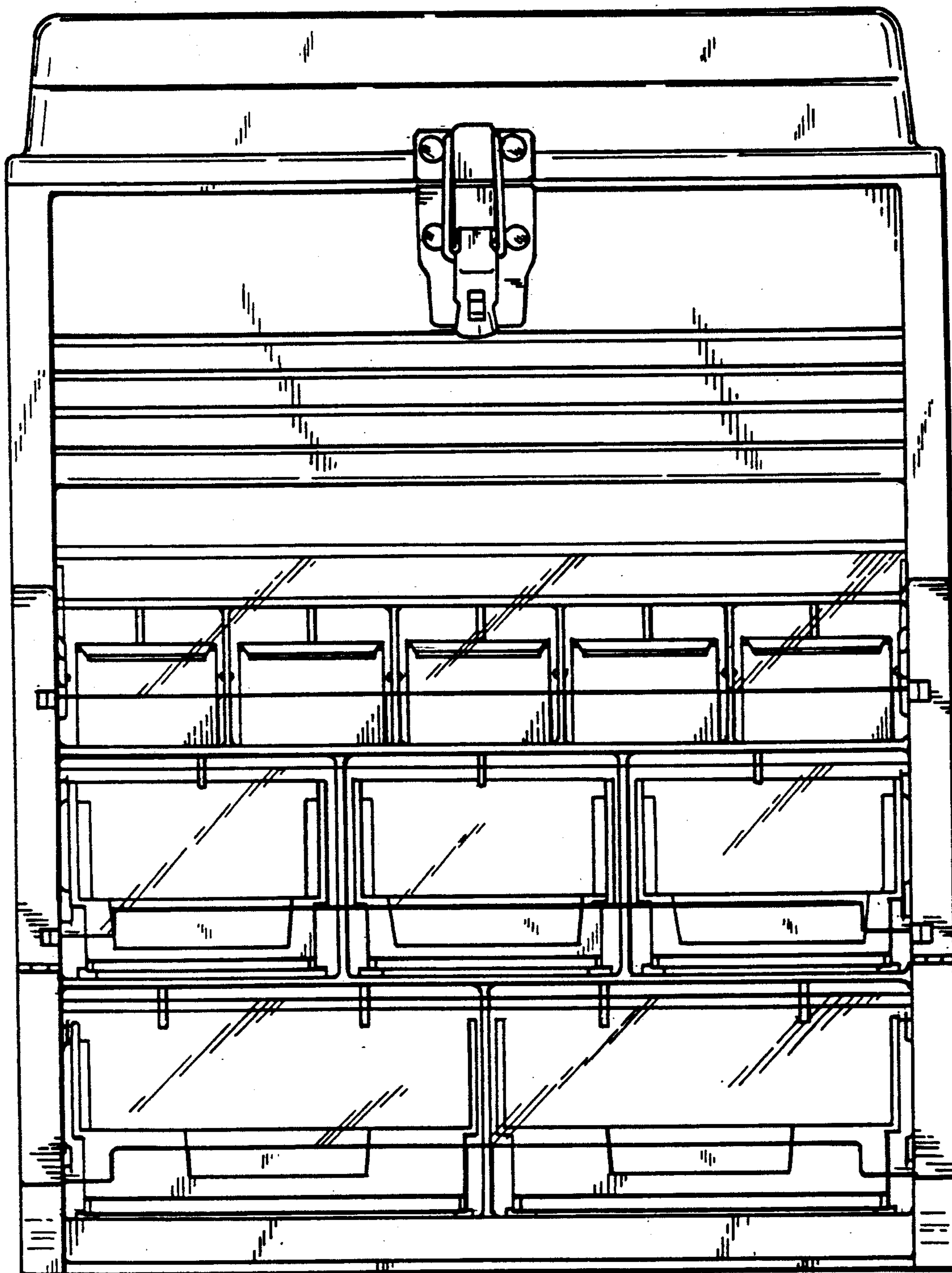


FIG. 2.

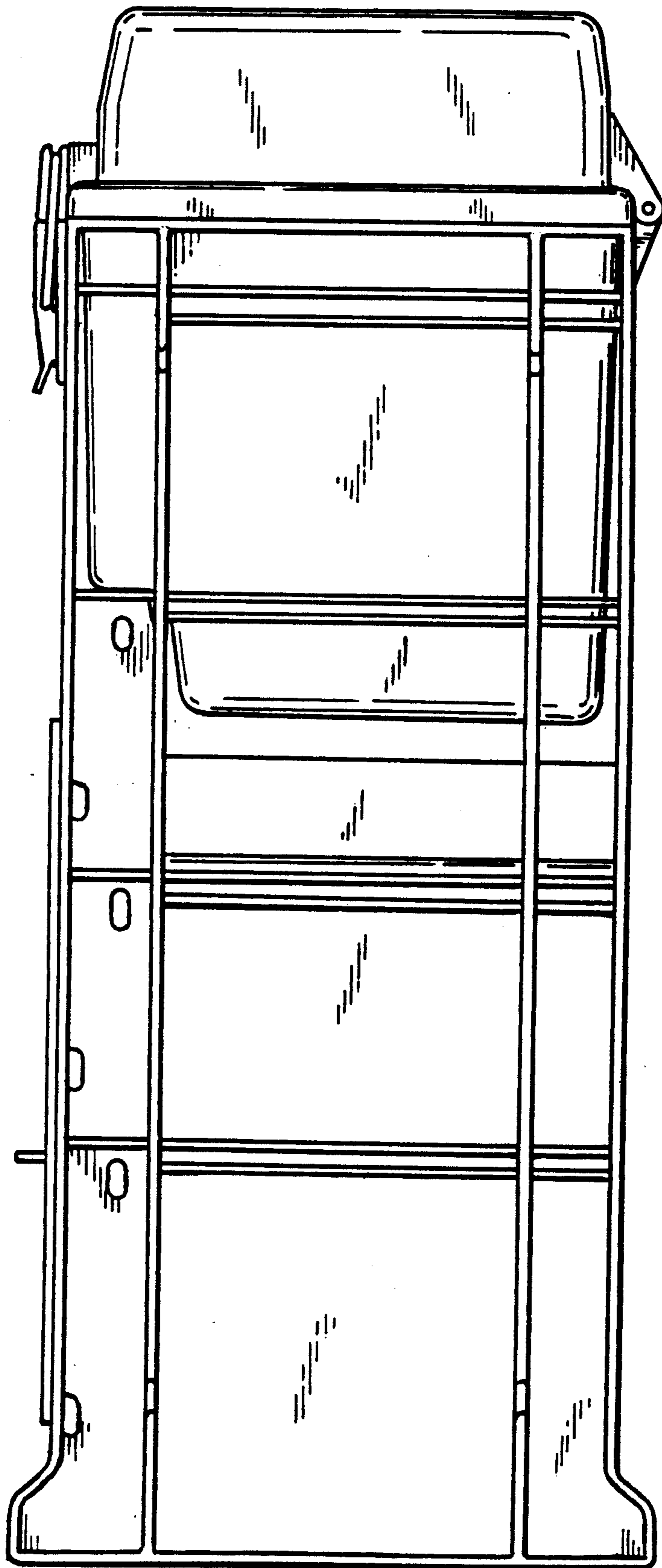


FIG. 3.

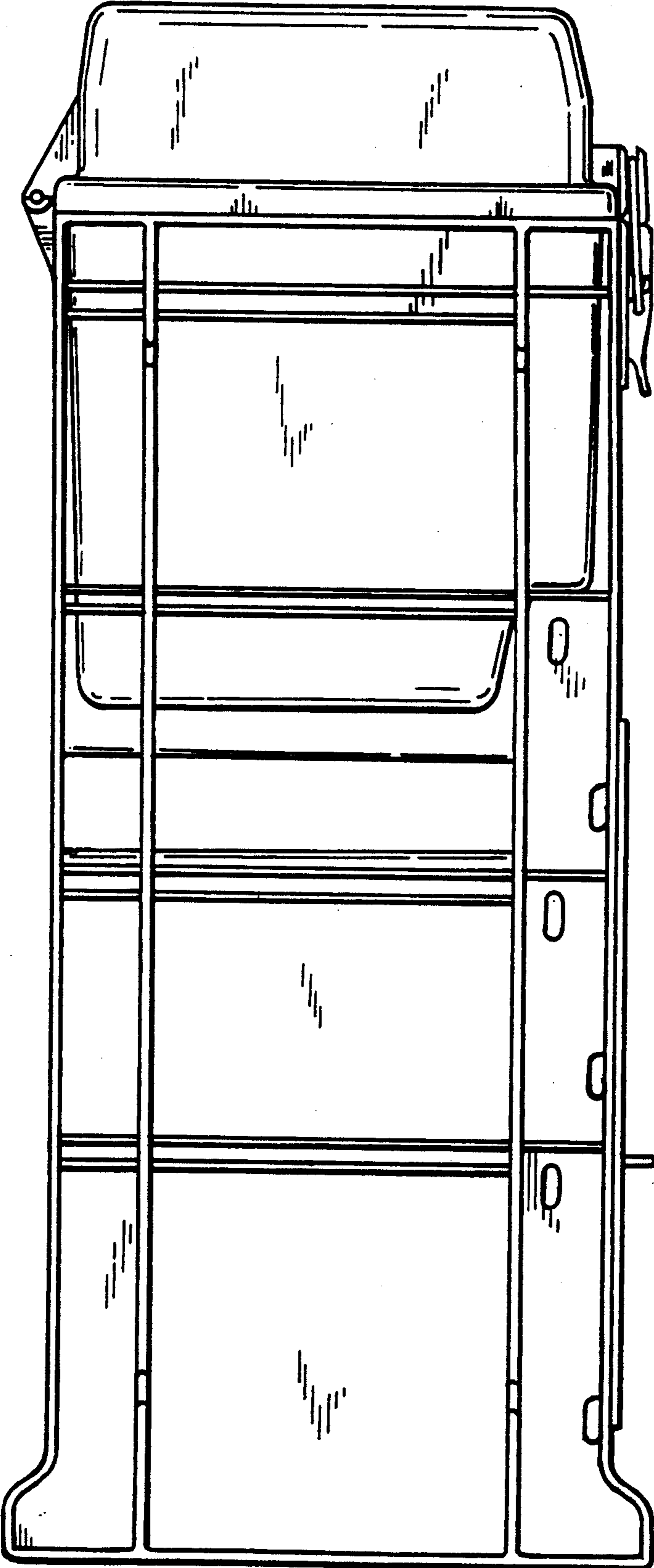


FIG. 4.

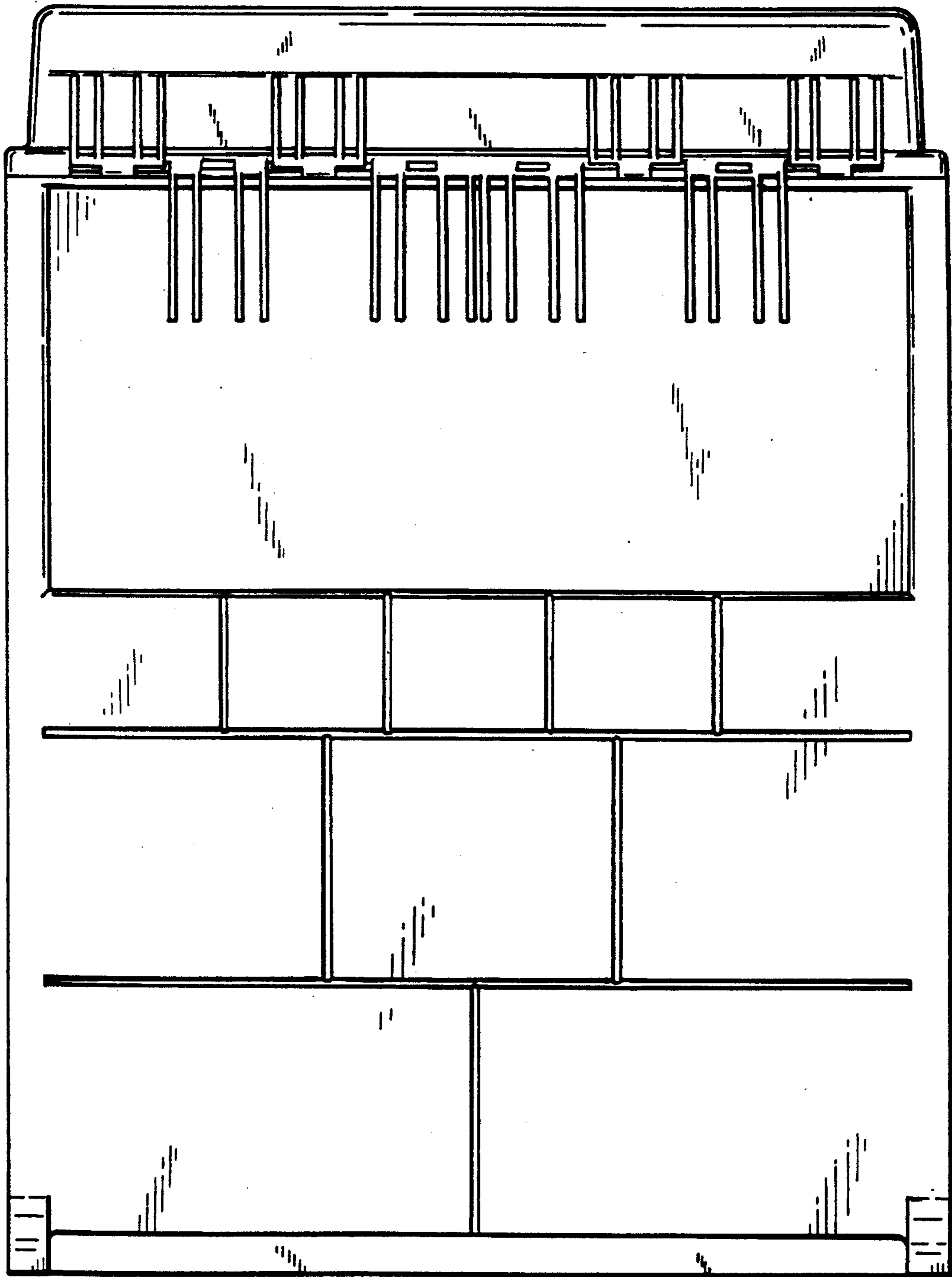


FIG. 5.

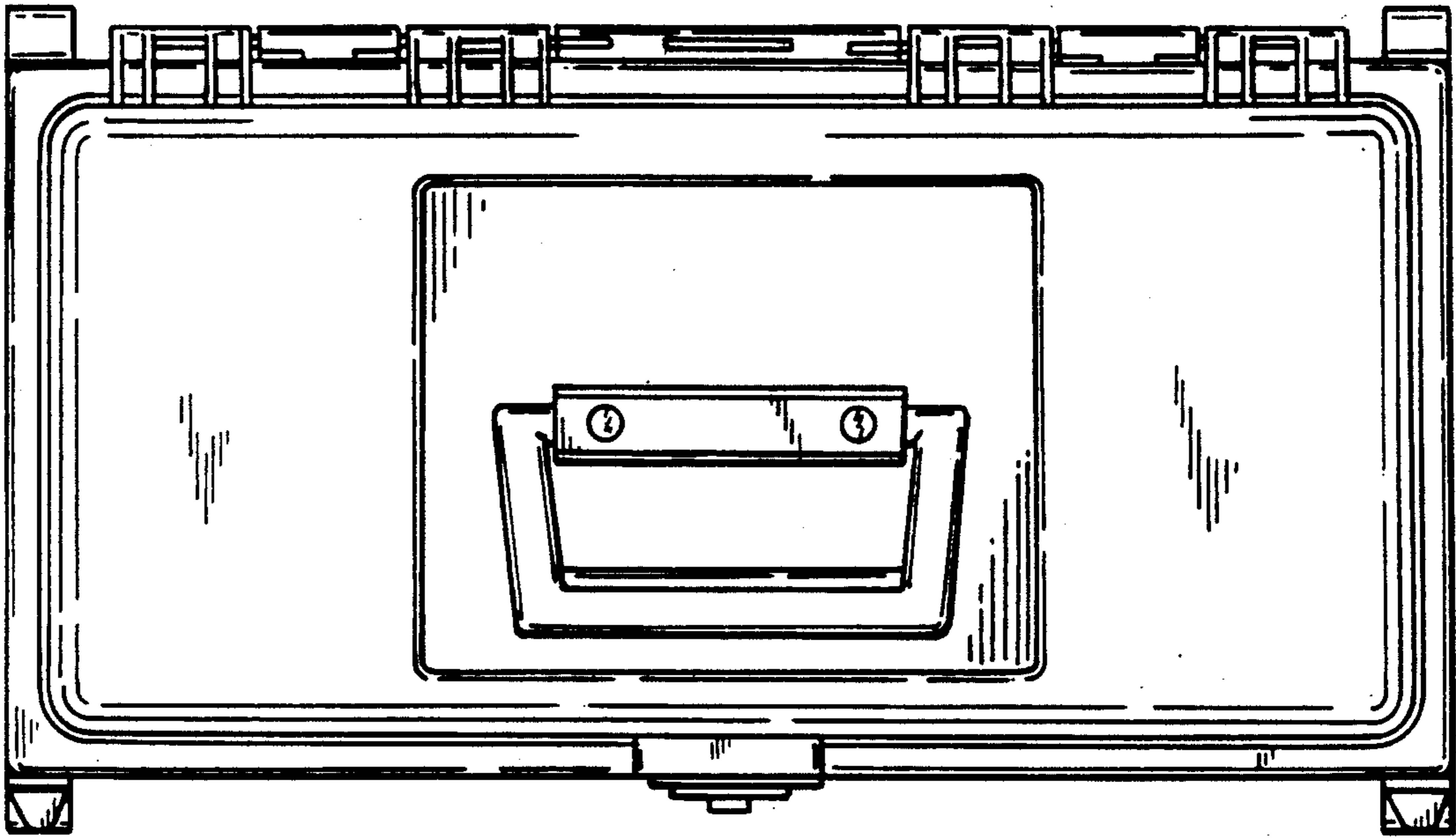


FIG. 6.

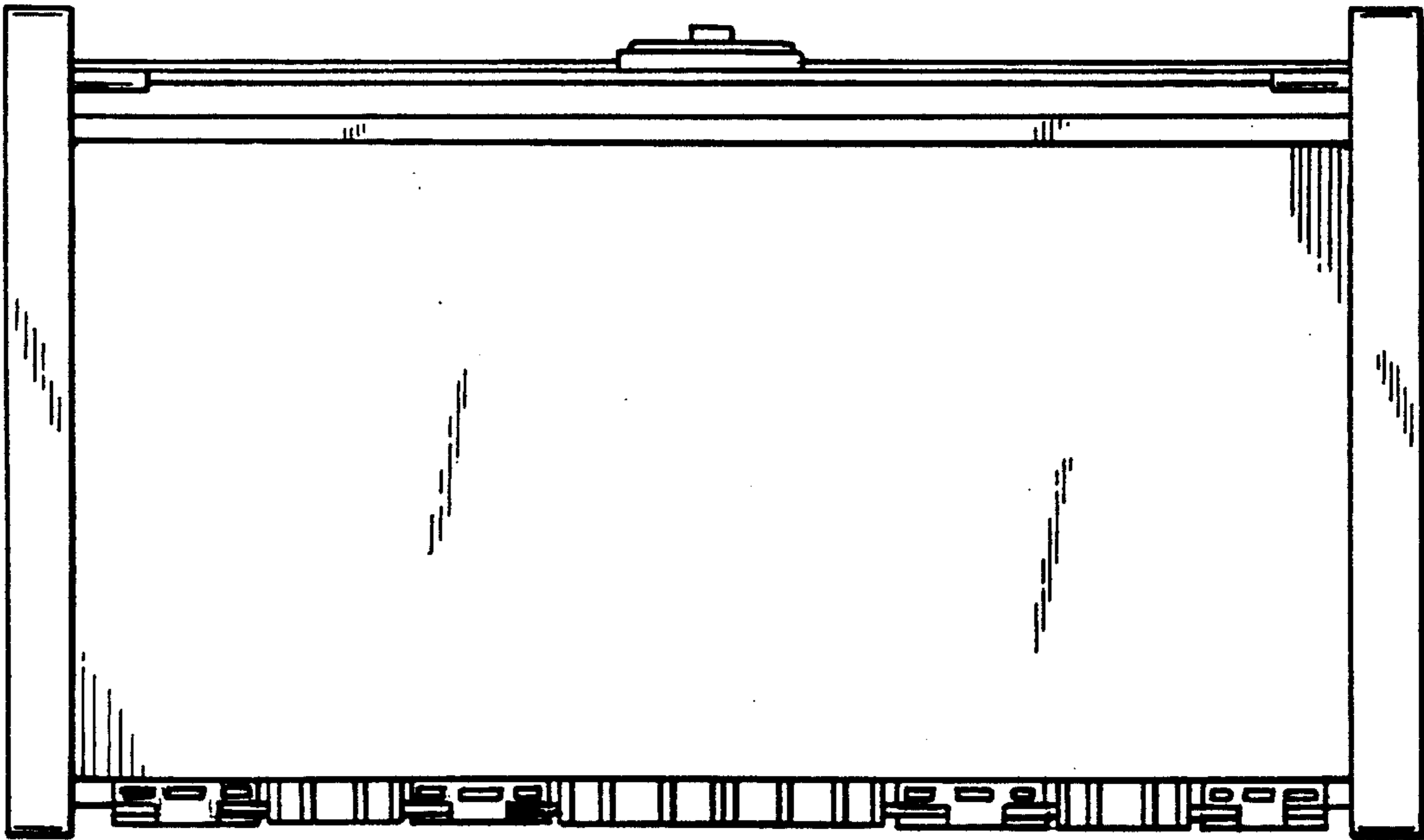


FIG. 7.

