



US00D333562S

United States Patent [19]

Weisburn et al.

[11] Patent Number: **Des. 333,562**

[45] Date of Patent: **** Mar. 2, 1993**

[54] SECURITY HOLDER FOR A CASSETTE TAPE

[75] Inventors: **James T. Weisburn, Massillon; John P. Hoerger, Minerva, both of Ohio**

[73] Assignee: **Alpha Enterprises, Inc., East Canton, Ohio**

[**] Term: **14 Years**

[21] Appl. No.: **721,664**

[22] Filed: **Jun. 26, 1991**

[52] U.S. Cl. **D3/35**

[58] Field of Search **D3/30.1, 35, 99; 206/387**

4,834,238	5/1989	Hehn et al.	206/387
4,865,190	9/1989	Gregerson et al.	206/387
4,871,065	10/1989	Hehn et al.	206/387
4,881,465	11/1989	Lmiller et al.	206/387
4,903,829	2/1990	Clemens	206/310
4,986,415	1/1991	Posso	206/45.23

Primary Examiner—A. Hugo Word
Assistant Examiner—Celia A. Murphy
Attorney, Agent, or Firm—Michael Sand Co.

[57] CLAIM

The ornamental design for a security holder for a cassette tape, as shown and described.

DESCRIPTION

FIG. 1 is a perspective view of a security holder for a cassette tape showing our new design in a partially open position;

FIG. 2 is a reduced top plan view thereof, the lid shown fully open;

FIG. 3 is a bottom plan view of FIG. 2;

FIG. 4 is a rear elevational view of FIG. 2;

FIG. 5 is a front elevational view of FIG. 2;

FIG. 6 is a right side elevational view of FIG. 2, the left side being a mirror image;

FIG. 7 is a top plan view of FIG. 2; the lid shown in a closed position;

FIG. 8 is a bottom plan view of FIG. 7;

FIG. 9 is a rear elevational view of FIG. 7;

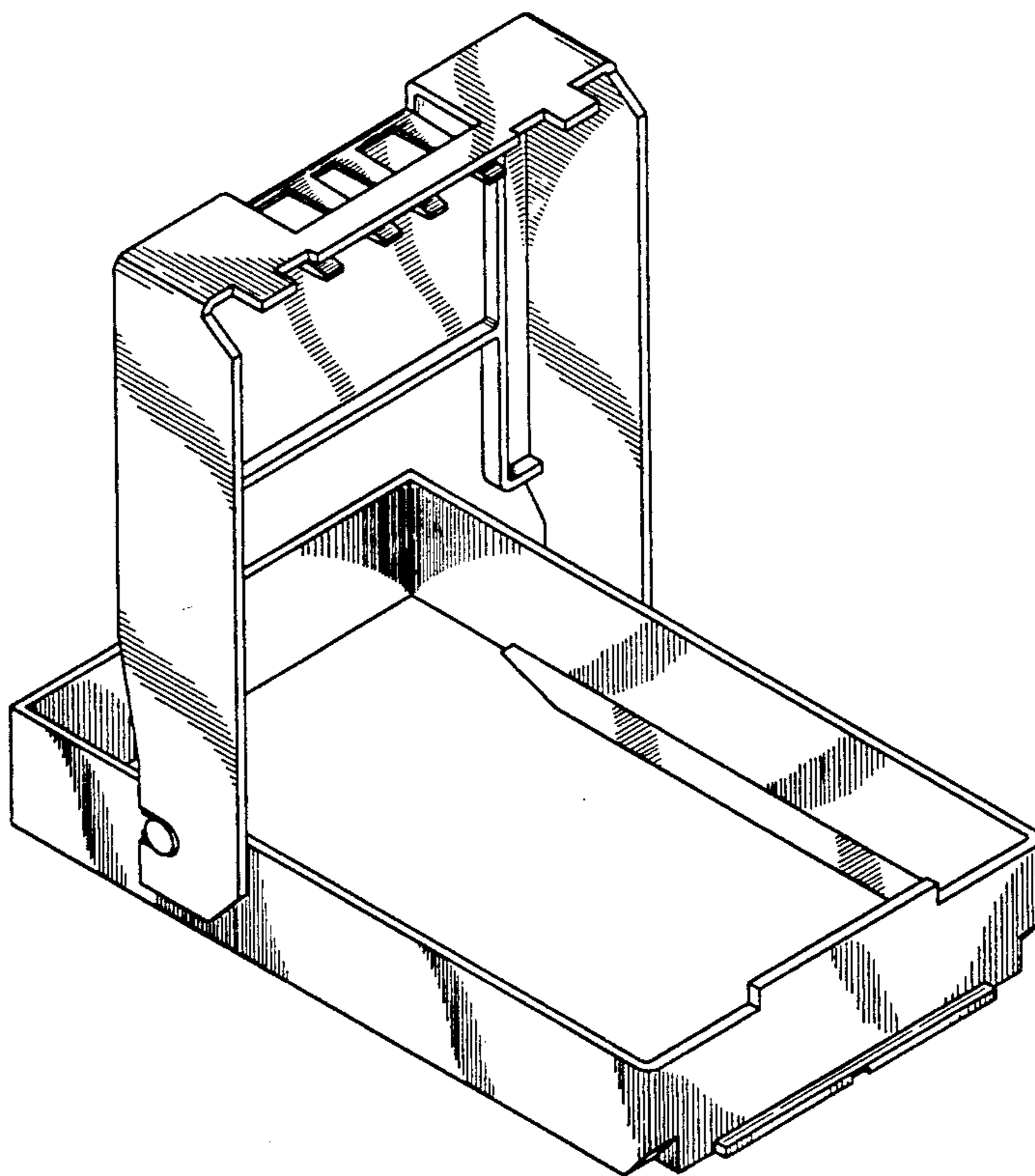
FIG. 10 is a front elevational view of FIG. 7; and,

FIG. 11 is a right side elevational view of FIG. 7, the left side being a mirror image.

[56] References Cited

U.S. PATENT DOCUMENTS

D. 219,369	12/1970	Silverstein	D3/35
D. 262,414	12/1981	Long et al.	D3/35
D. 283,949	5/1986	Kitada	D3/35
D. 288,982	3/1987	Talopp	D3/35
3,871,516	3/1975	Holkestad et al.	206/45.31
4,084,690	4/1978	Pulse	206/310
4,381,836	5/1983	Rivkin et al.	206/387
4,589,549	5/1986	Hehn	206/387
4,627,534	12/1986	Komiyama et al.	206/387
4,702,369	10/1987	Philosophe	206/312
4,708,239	11/1987	Bourbon	206/387
4,711,888	9/1988	Lundeen	206/387
4,718,547	1/1988	MacTavish	206/387
4,759,442	7/1988	Gregerson et al.	206/387
4,805,769	2/1989	Soltis et al.	206/309



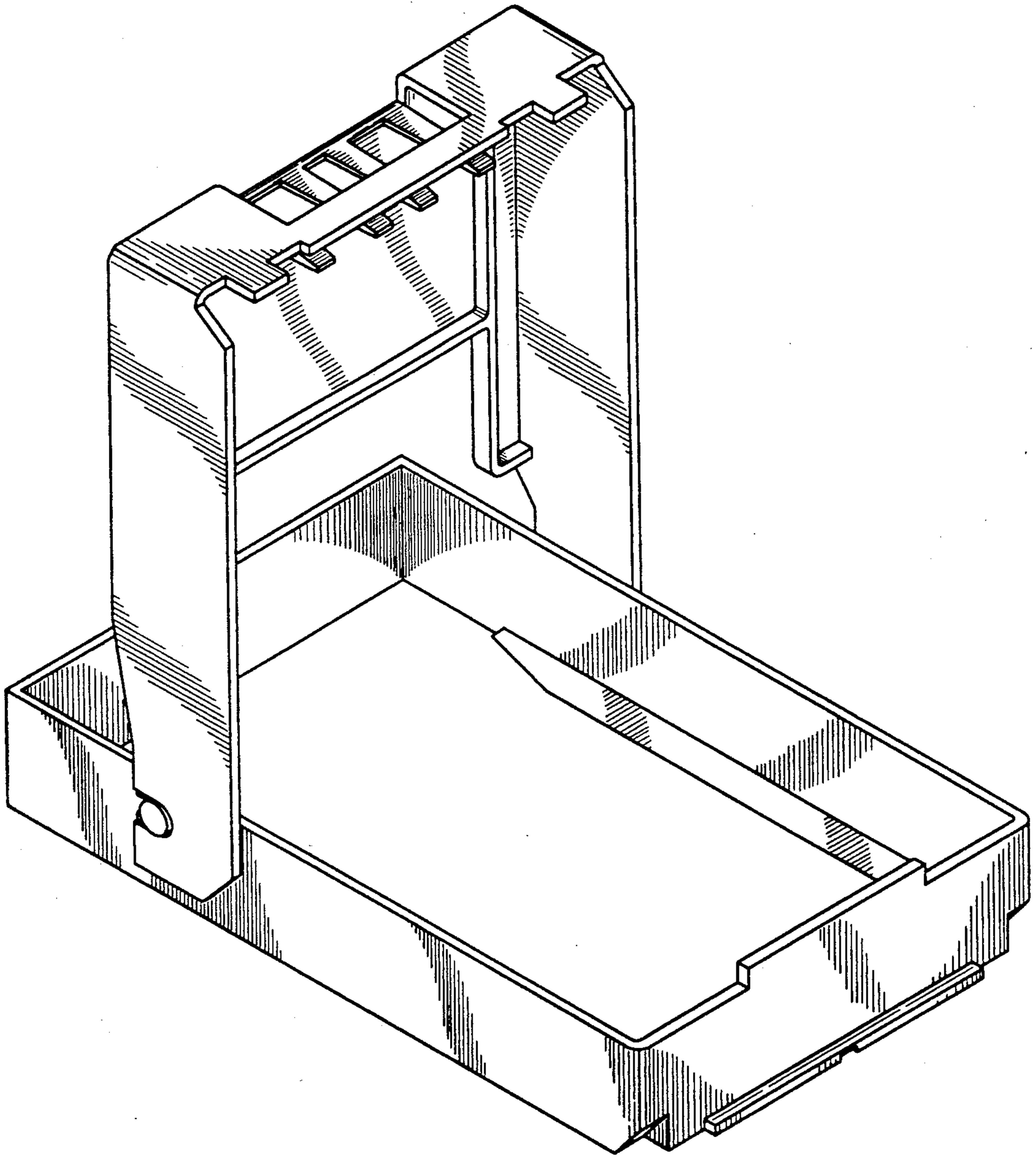


FIG-1

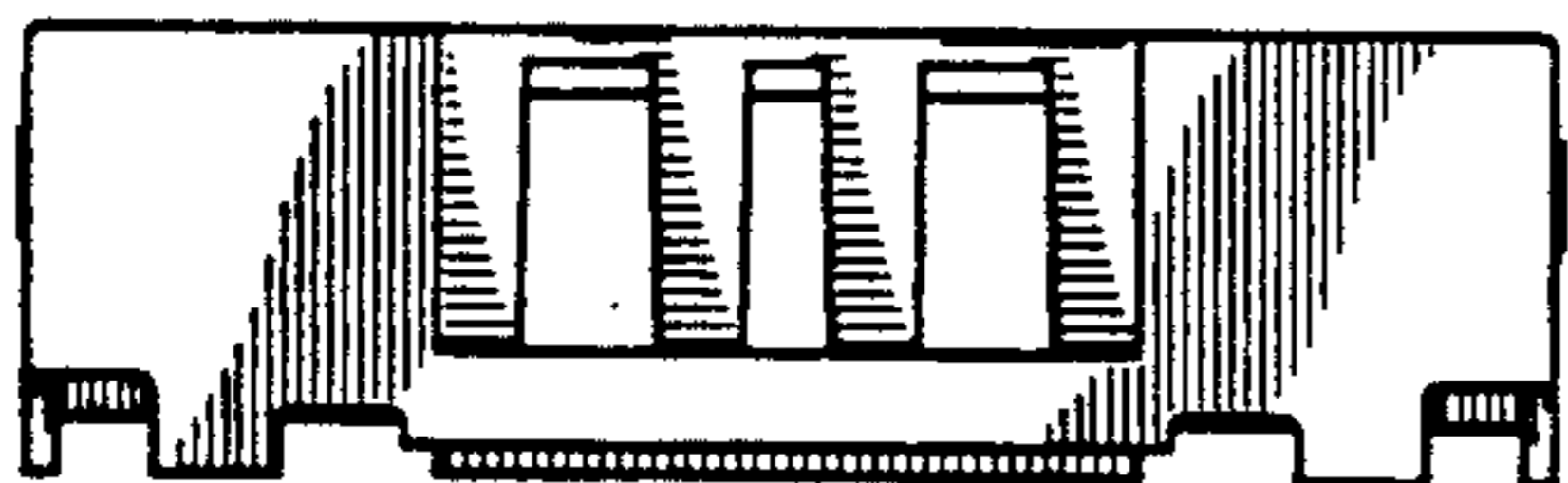


FIG-4

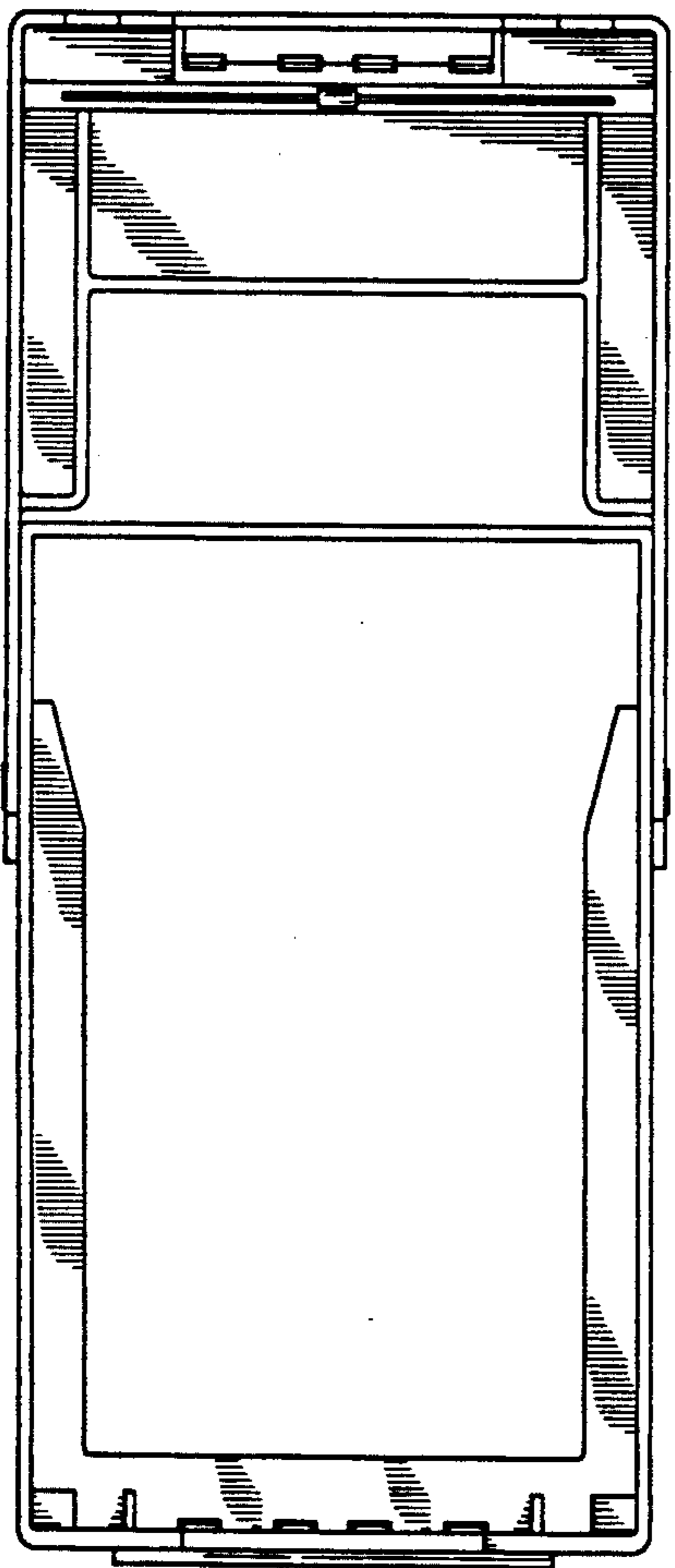


FIG-2

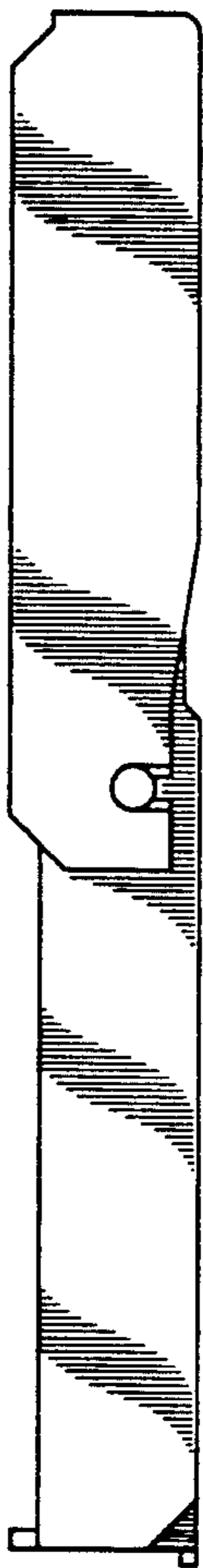


FIG-6

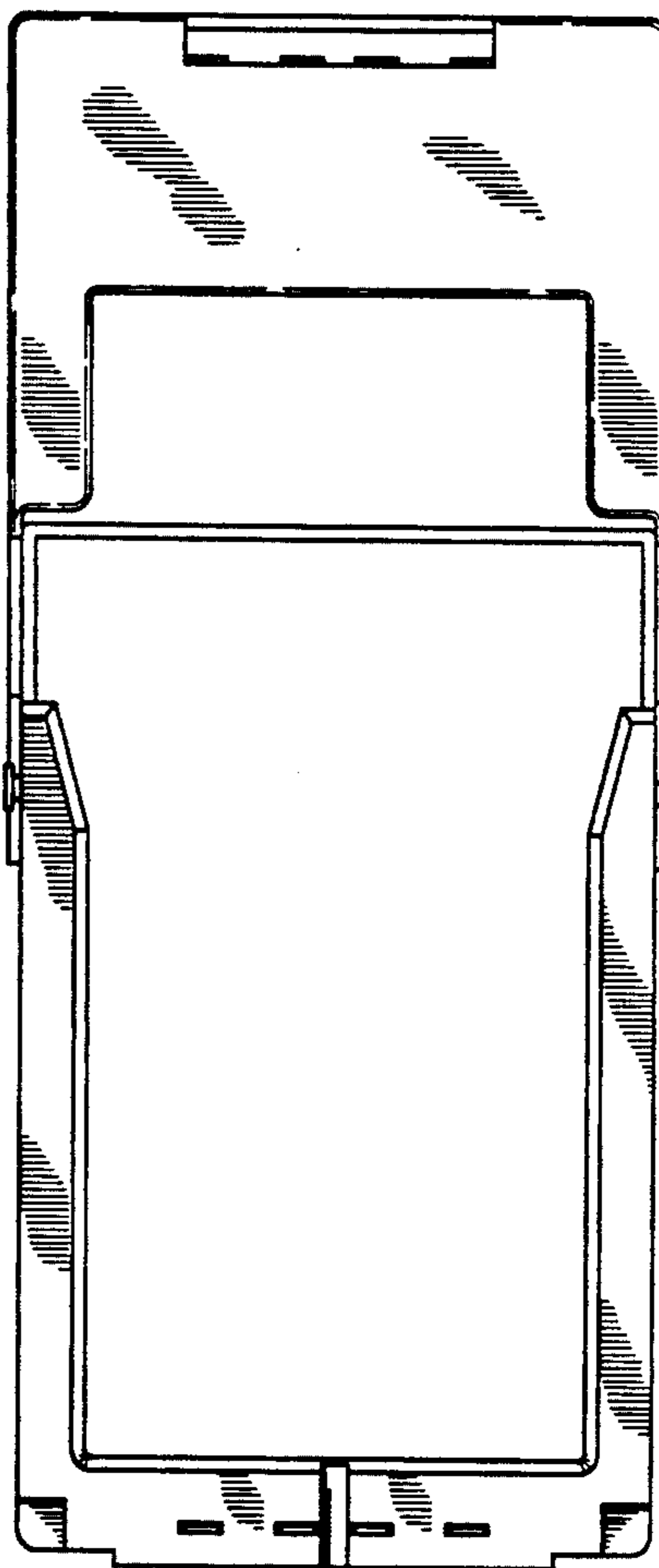


FIG-3

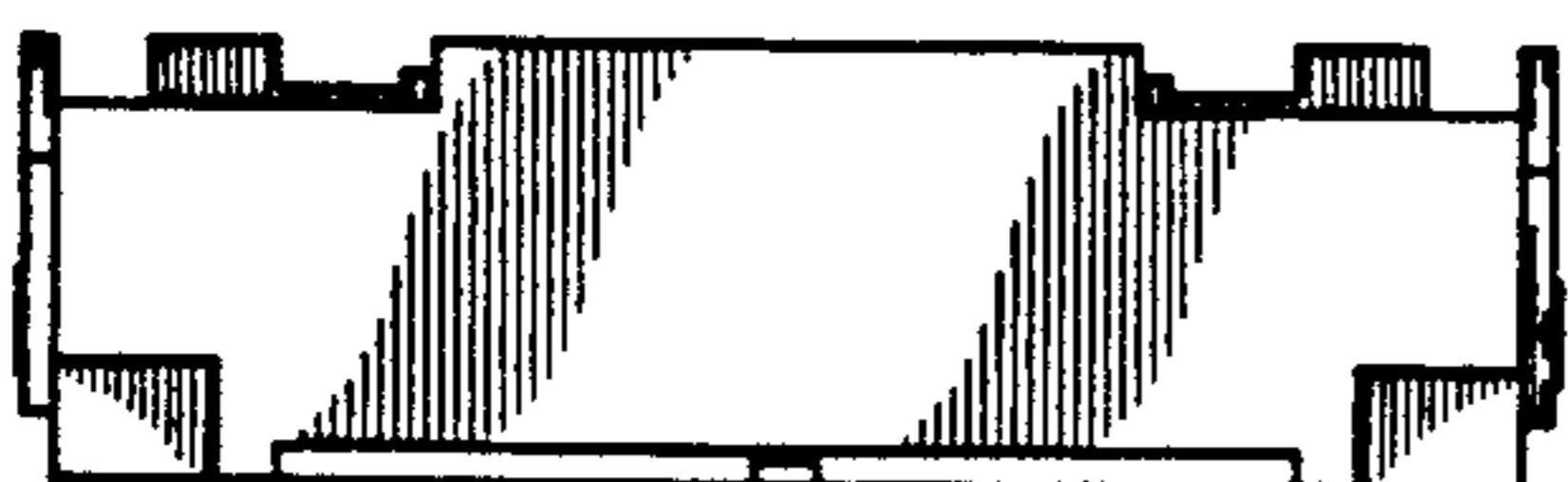


FIG-5

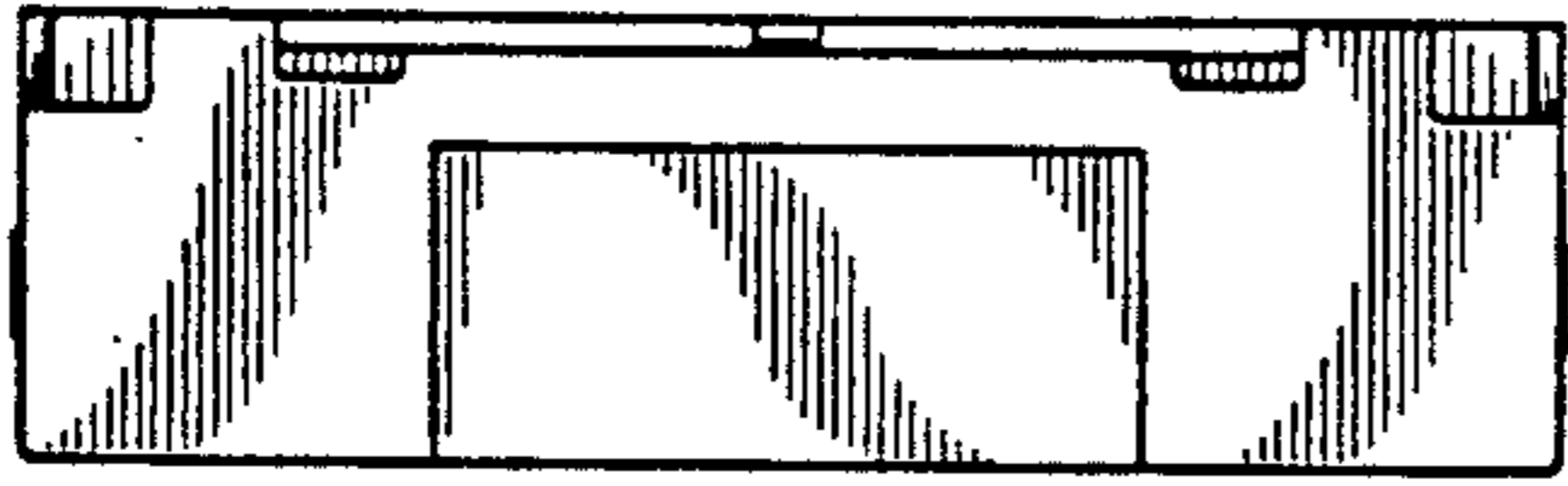


FIG-9

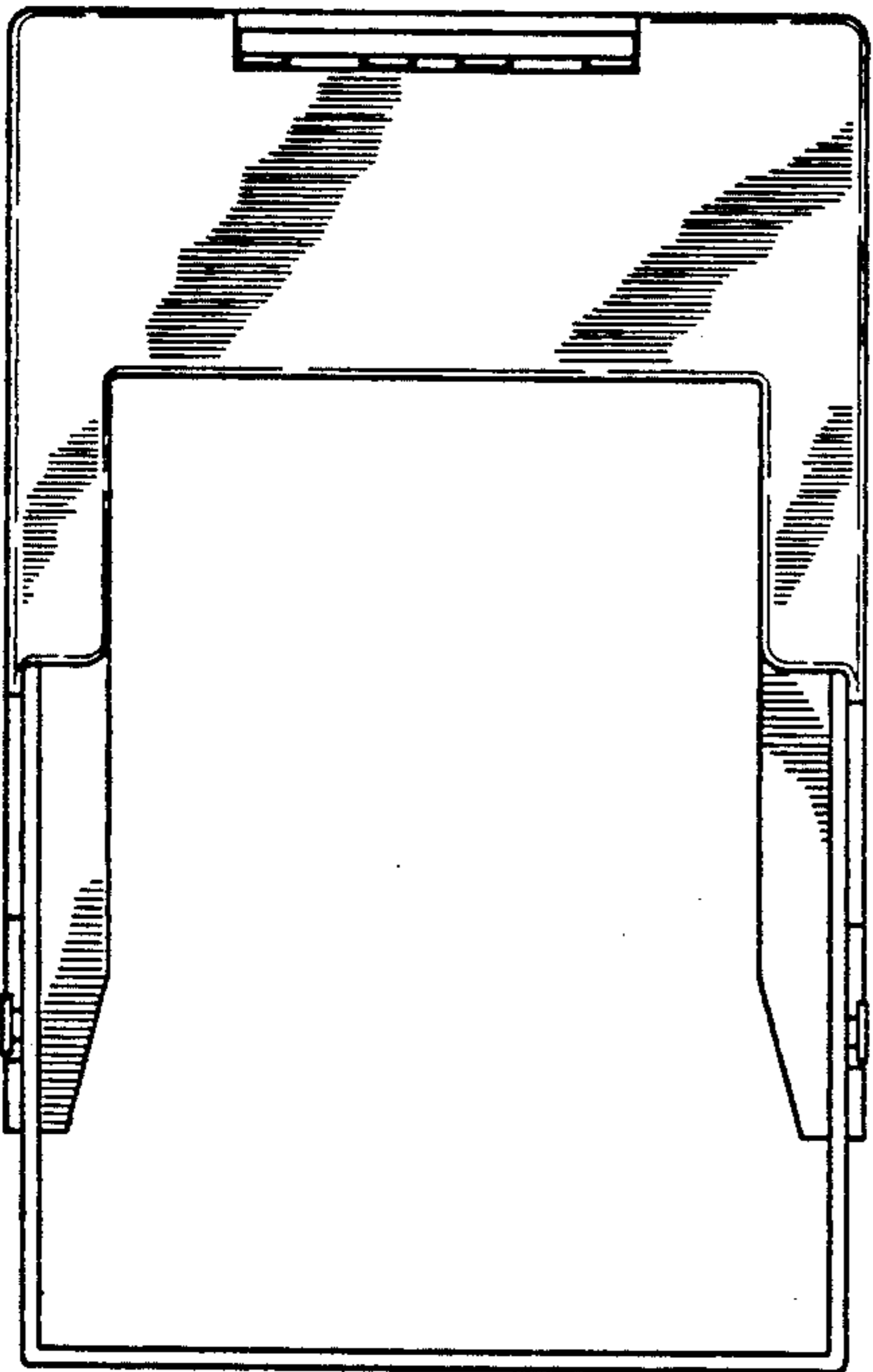


FIG-7

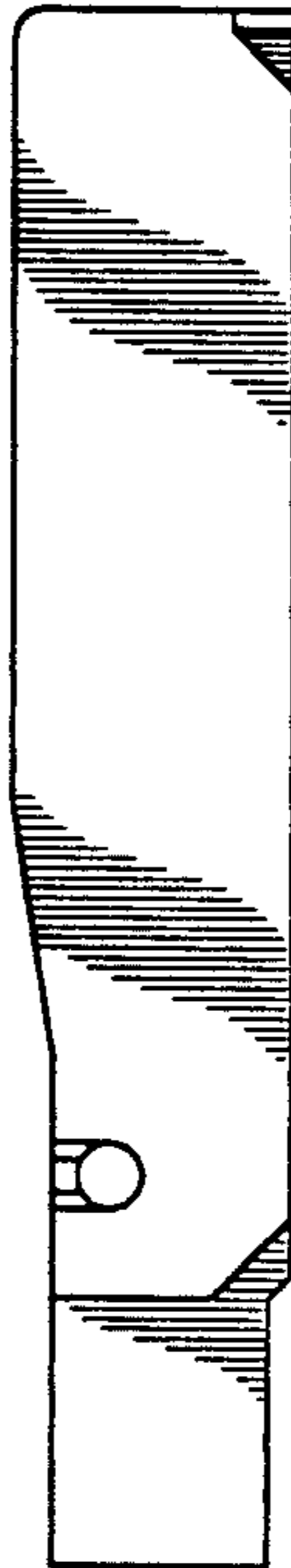


FIG-11

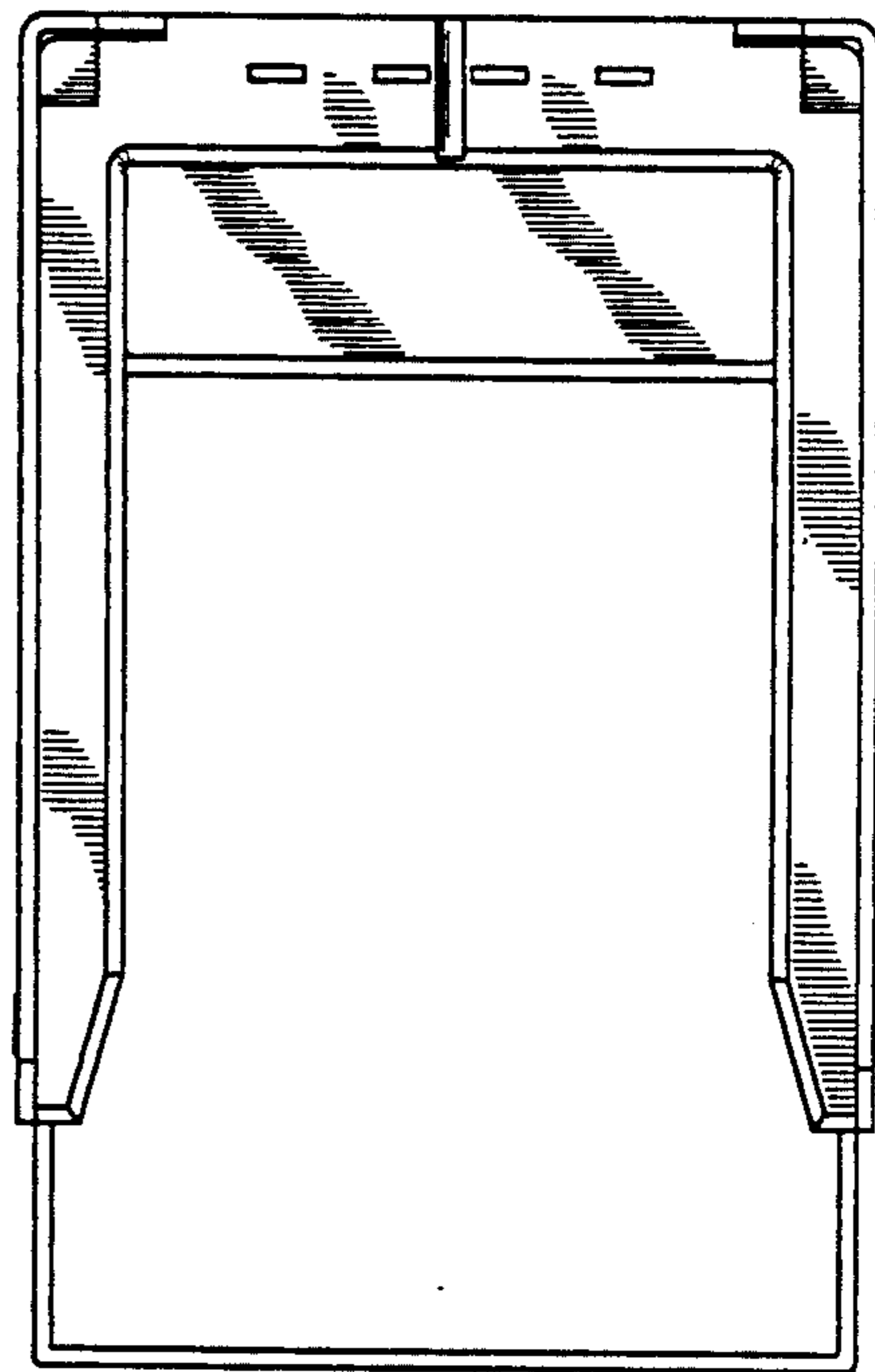


FIG-8

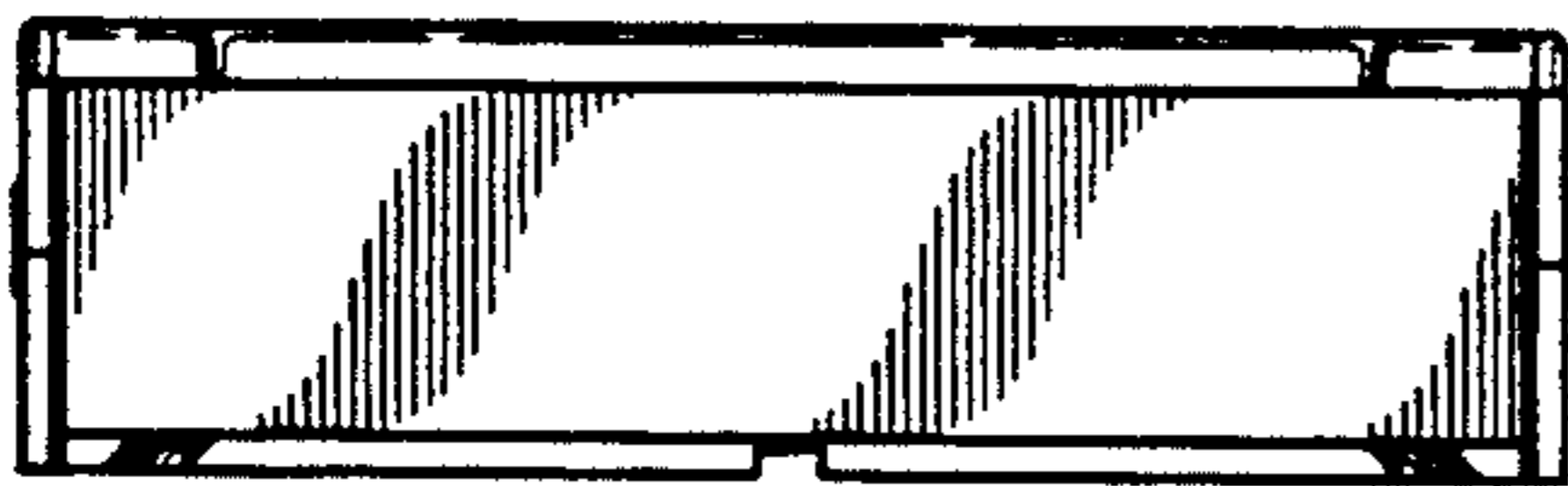


FIG-10