



US00D333544S

**United States Patent** [19]  
**Uehara**

[11] **Patent Number: Des. 333,544**  
[45] **Date of Patent: \*\* Feb. 23, 1993**

[54] **CONVEYOR BELT**

[76] **Inventor: Akira Uehara, 1-19-18  
Nishi-Tsutsujigaoka, Chofu-Shi,  
Tokyo, 182, Japan**

[\*\*] **Term: 14 Years**

[21] **Appl. No.: 696,539**

[22] **Filed: May 7, 1991**

[30] **Foreign Application Priority Data**

Nov. 10, 1990 [JP] Japan ..... 2-37914

[52] **U.S. Cl. .... D34/29**

[58] **Field of Search ..... D34/29; 198/833, 845,  
198/626.4, 832, 838, 850, 734, 813, 309, 792**

[56] **References Cited**

**U.S. PATENT DOCUMENTS**

3,015,381 1/1962 Mohwinkel et al. .... 198/850 X  
4,553,663 11/1985 Johnson ..... 198/850 X

**OTHER PUBLICATIONS**

Cherokee Products Corporation, Oct. 10, 1989, p. 67,  
table top assembly conveyor, located at top of page.  
New Equipment Digest, Oct. 1989, p. 27, E-chain,  
located at top left corner.

*Primary Examiner*—Wallace R. Burke  
*Assistant Examiner*—H. Baynham  
*Attorney, Agent, or Firm*—Sandler, Greenblum &  
Bernstein

[57] **CLAIM**

The ornamental design for a conveyor belt, as shown  
and described.

**DESCRIPTION**

FIG. 1 is a front perspective view of the conveyor belt;  
FIG. 2 is a front end elevational view thereof;  
FIG. 3 is a top plan view thereof;  
FIG. 4 is a rear end elevational view thereof;  
FIG. 5 is a bottom plan view thereof;  
FIG. 6 is a right side elevational view thereof; and,  
FIG. 7 is a left side elevational view thereof.

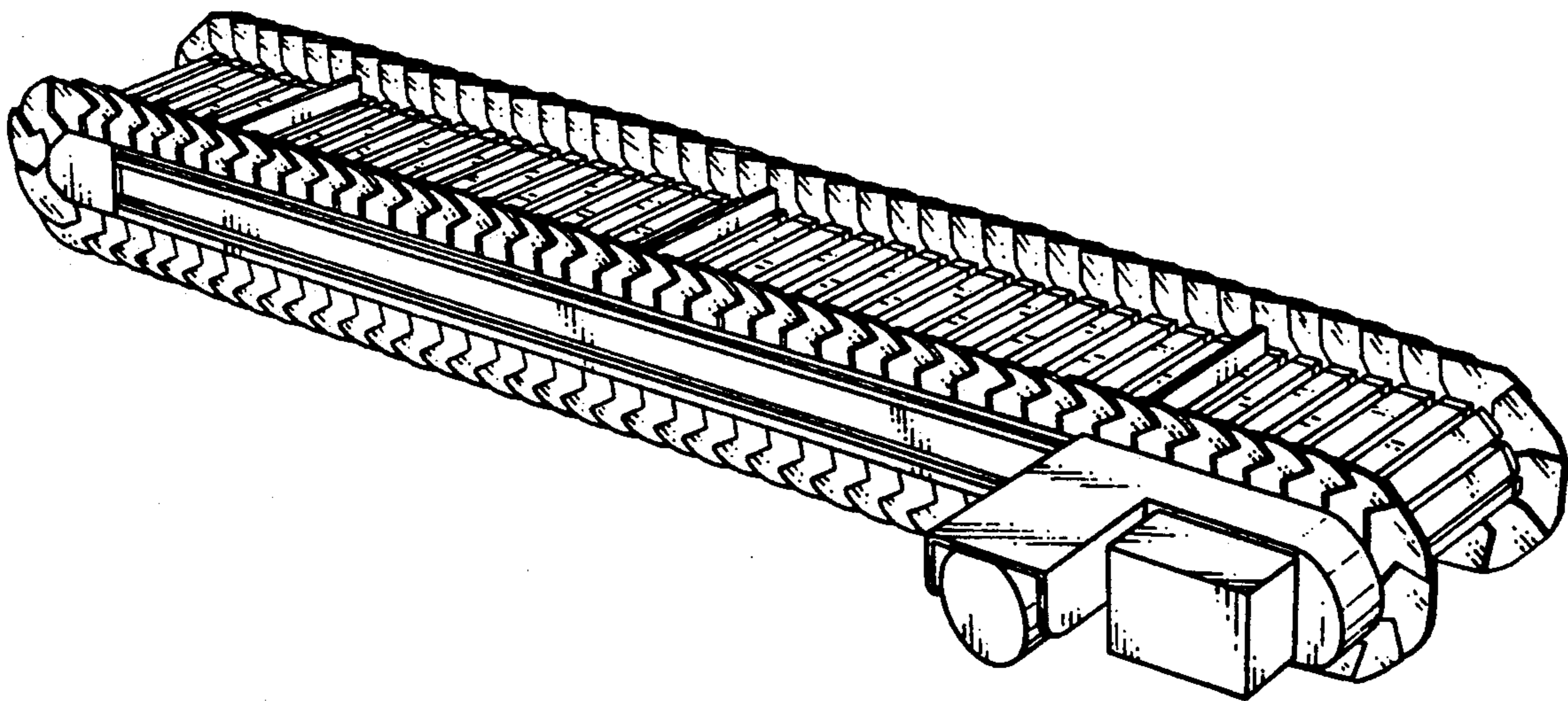


FIG. 1

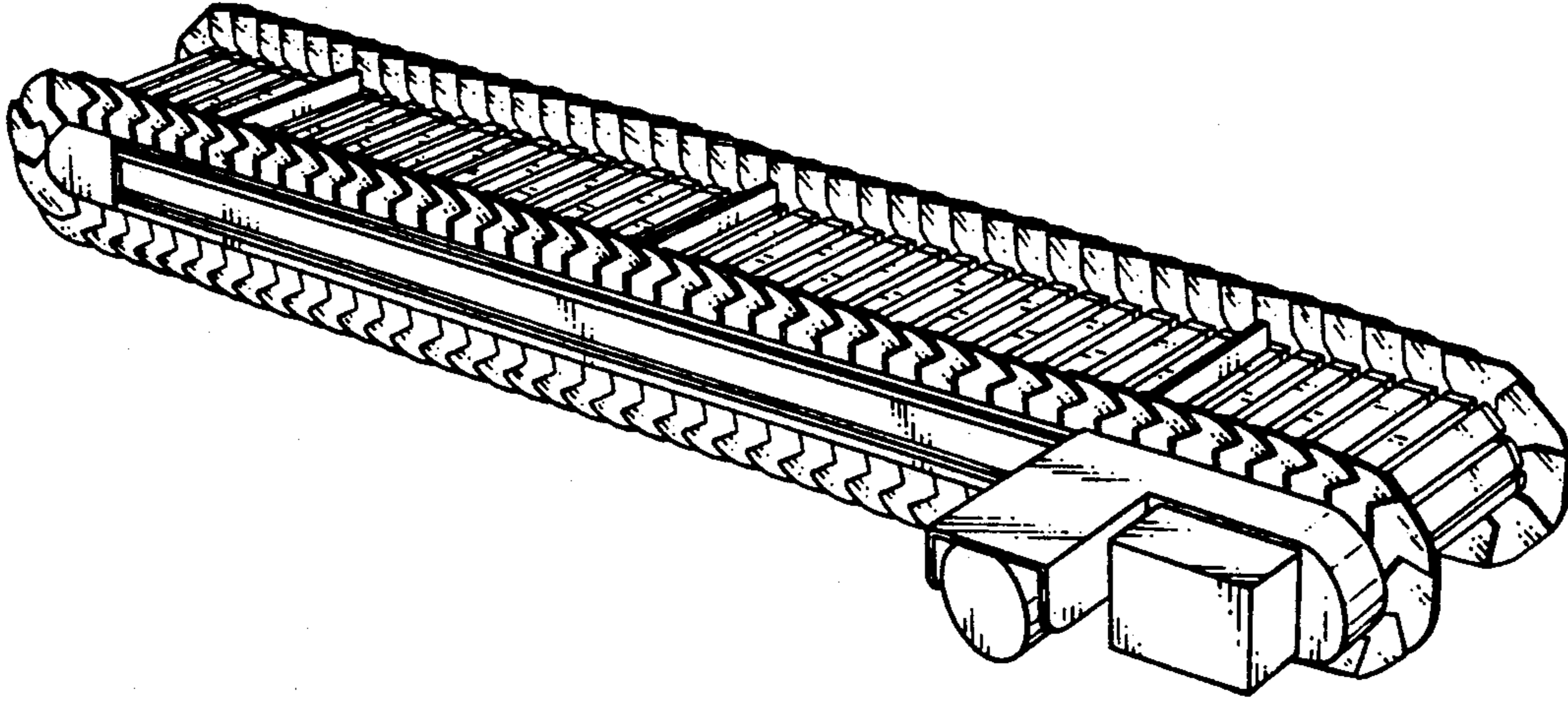


FIG. 2

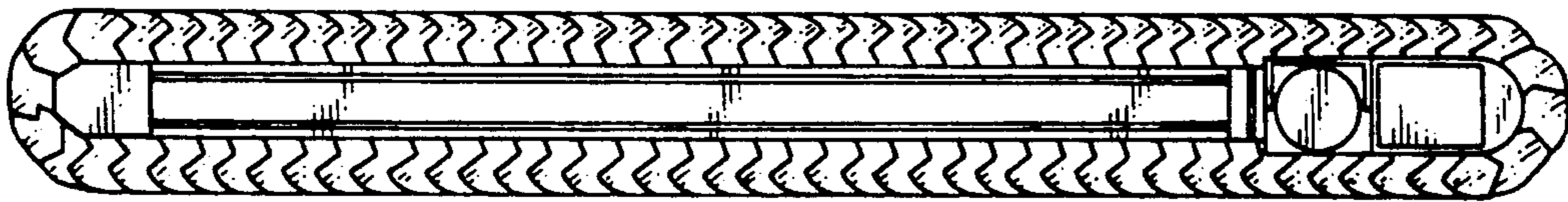


FIG. 3

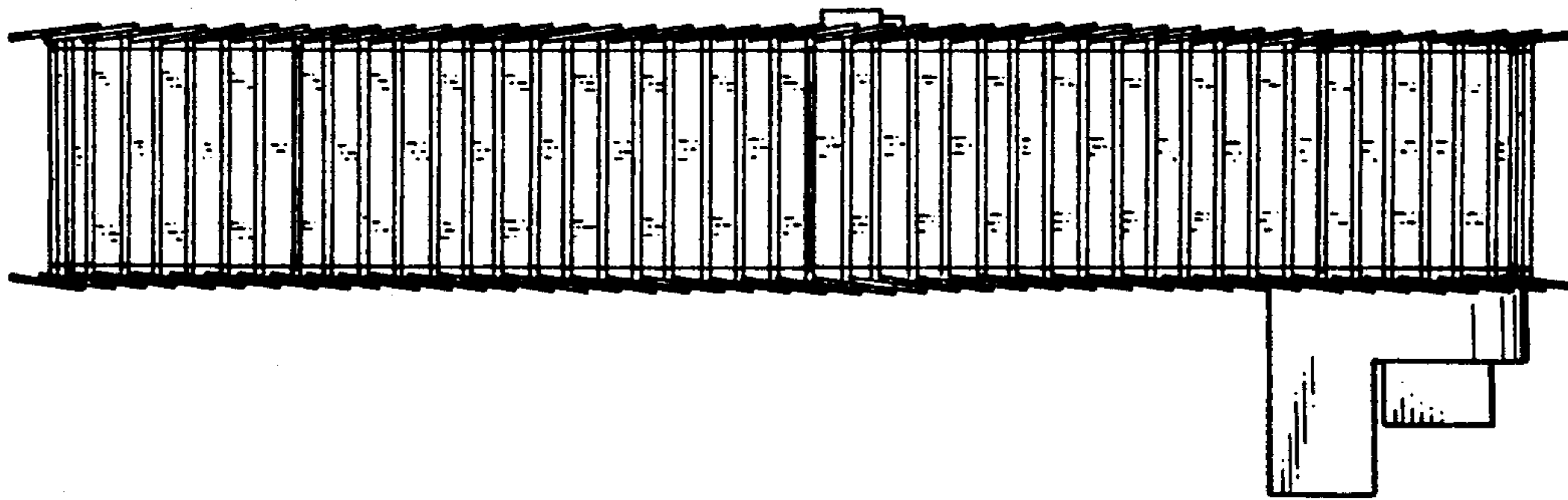


FIG. 4

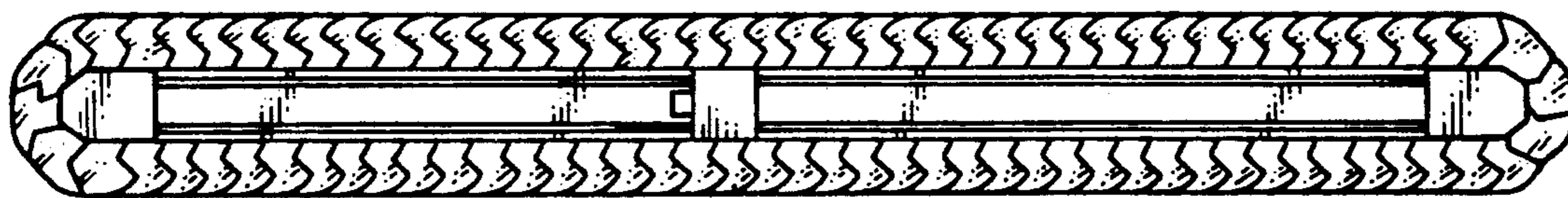


FIG. 5

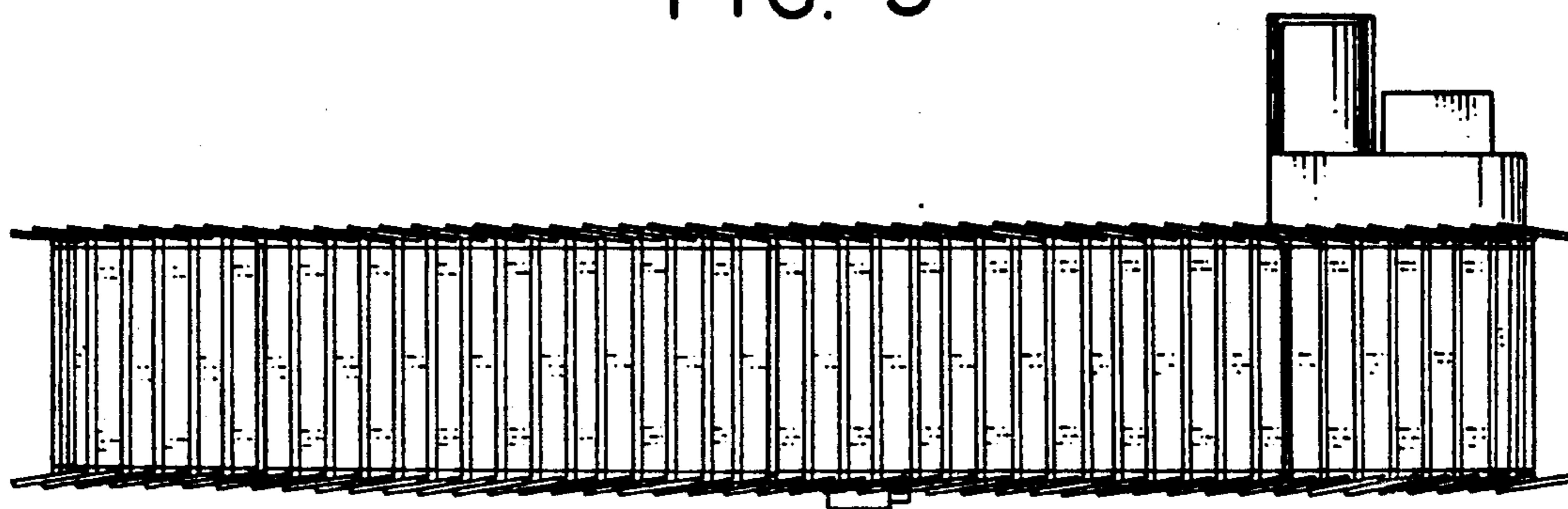


FIG. 7



FIG. 6

