



US00D333542S

United States Patent [19]
McKenzie

[11] **Patent Number: Des. 333,542**
[45] **Date of Patent: ** Feb. 23, 1993**

[54] **WASTE CONTAINER FOR RECYCLE MATERIALS**

[76] **Inventor: Rosemarie McKenzie, 1572 Willmantic Dr., Virginia Beach, Va. 23456**

[**] **Term: 14 Years**

[21] **Appl. No.: 663,640**

[22] **Filed: Mar. 4, 1991**

[52] **U.S. Cl. D34/9; D34/7**

[58] **Field of Search D34/1-11; 220/908, 909, 23.83, 23.86, 263, 262**

[56] **References Cited**

U.S. PATENT DOCUMENTS

D. 261,720	11/1981	Brazis	D34/9
4,834,262	5/1989	Reed	220/404
4,874,111	10/1989	Heller	220/404
4,905,853	3/1990	Strawder	220/404

FOREIGN PATENT DOCUMENTS

1104627	7/1981	Canada	.
1496934	12/1965	France	.
2444624	8/1980	France 220/23.83

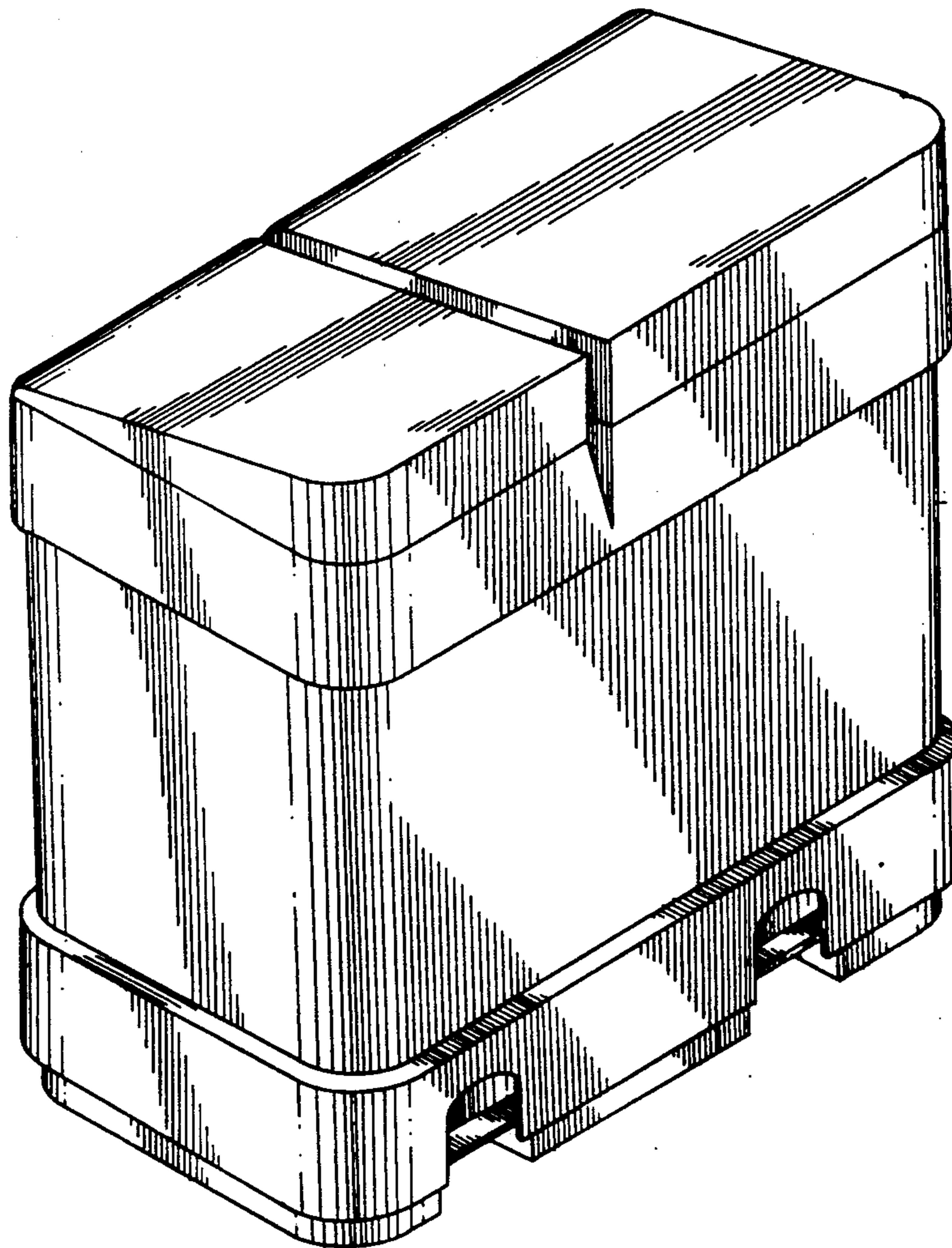
Primary Examiner—Kay H. Chin
Attorney, Agent, or Firm—Terry M. Gernstein

[57] **CLAIM**

The ornamental design for a waste container for recycle materials, as shown and described.

DESCRIPTION

FIG. 1 is a top and front perspective view of a waste container for recyclable material showing my new design;
FIG. 2 is a front elevational view thereof;
FIG. 3 is a rear elevational view thereof;
FIG. 4 is a side elevational view thereof, the opposite side elevational view being a mirror image of that shown;
FIG. 5 is a top plan view thereof; and,
FIG. 6 is a bottom plan view thereof.



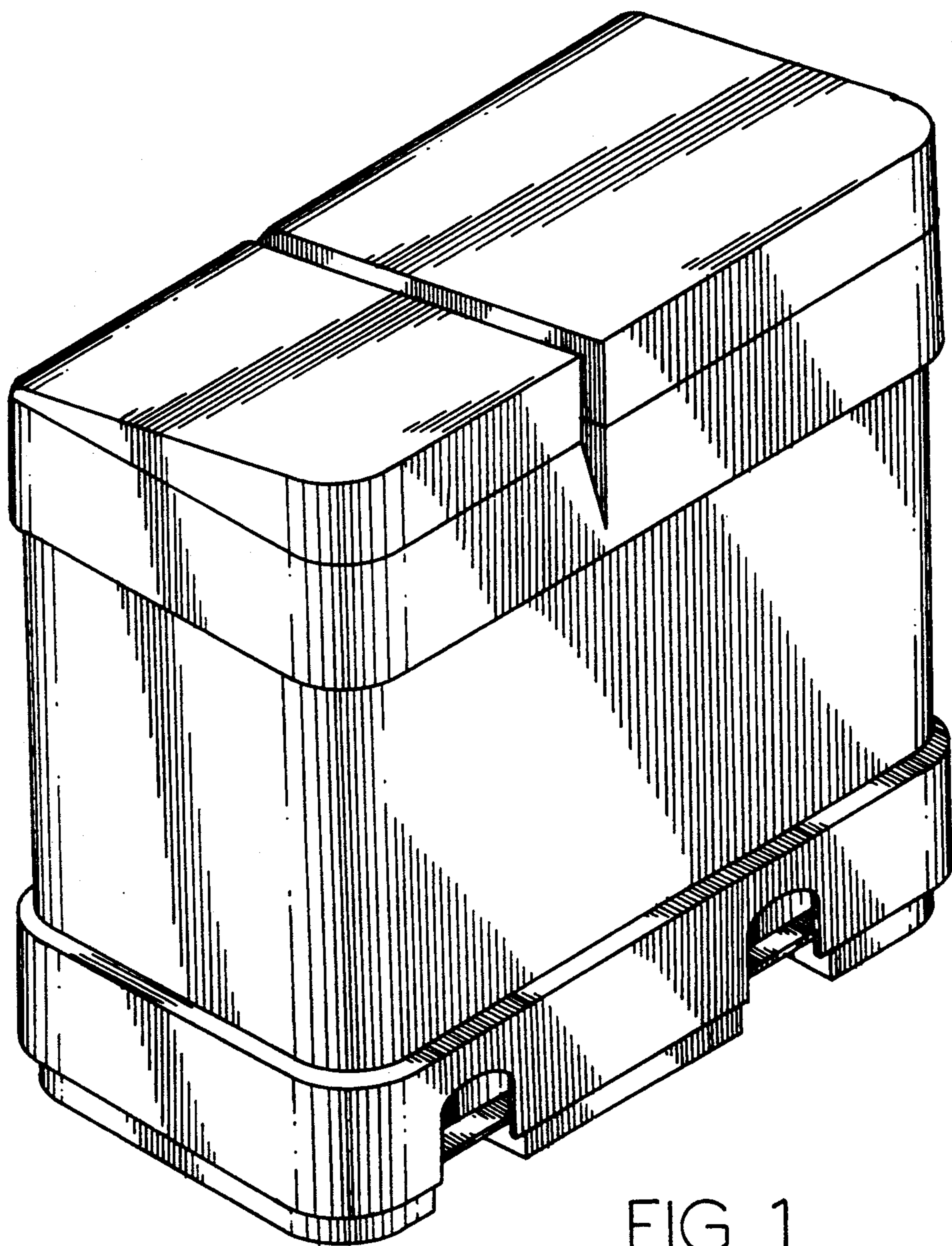


FIG. 1.

FIG. 4.

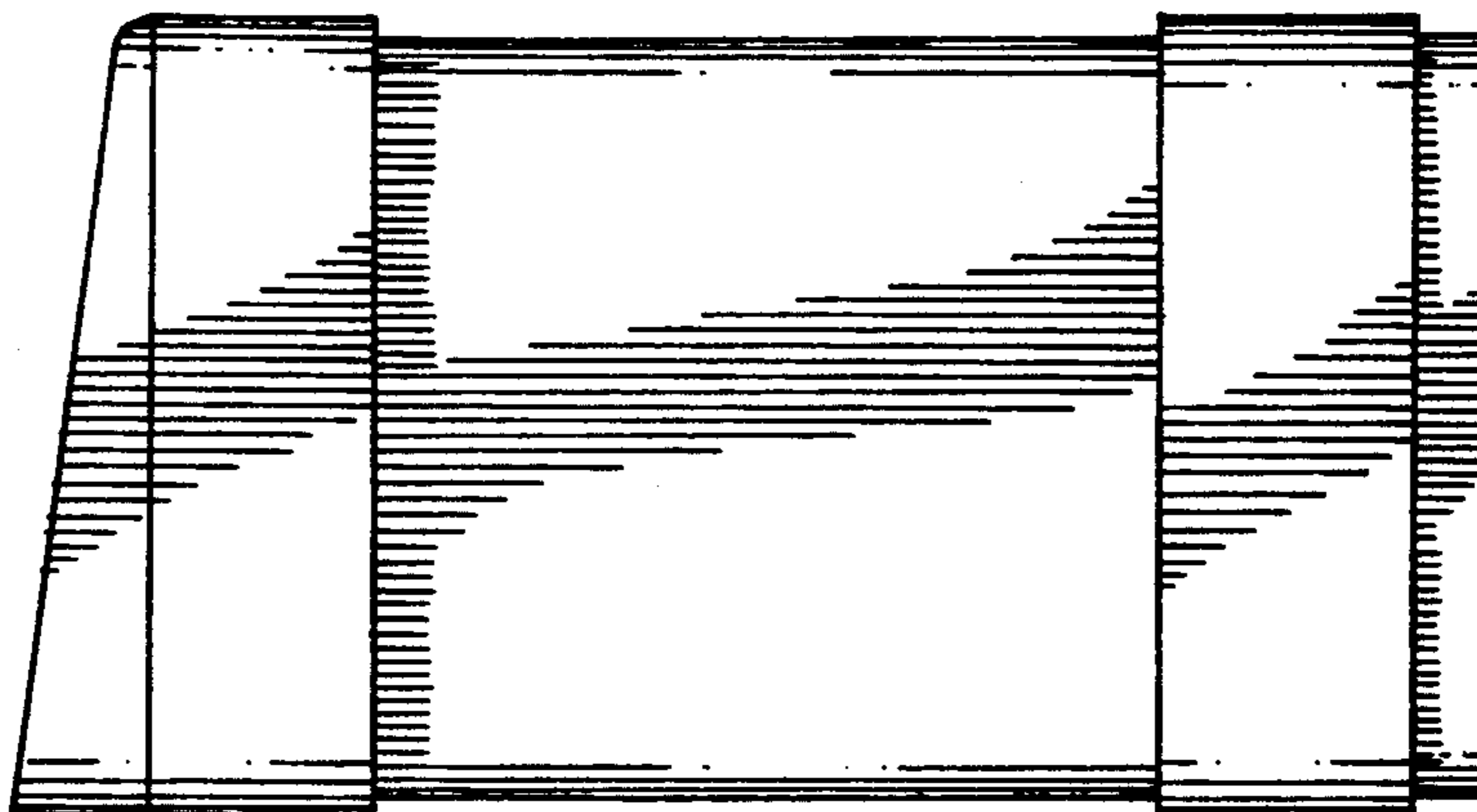


FIG. 2.

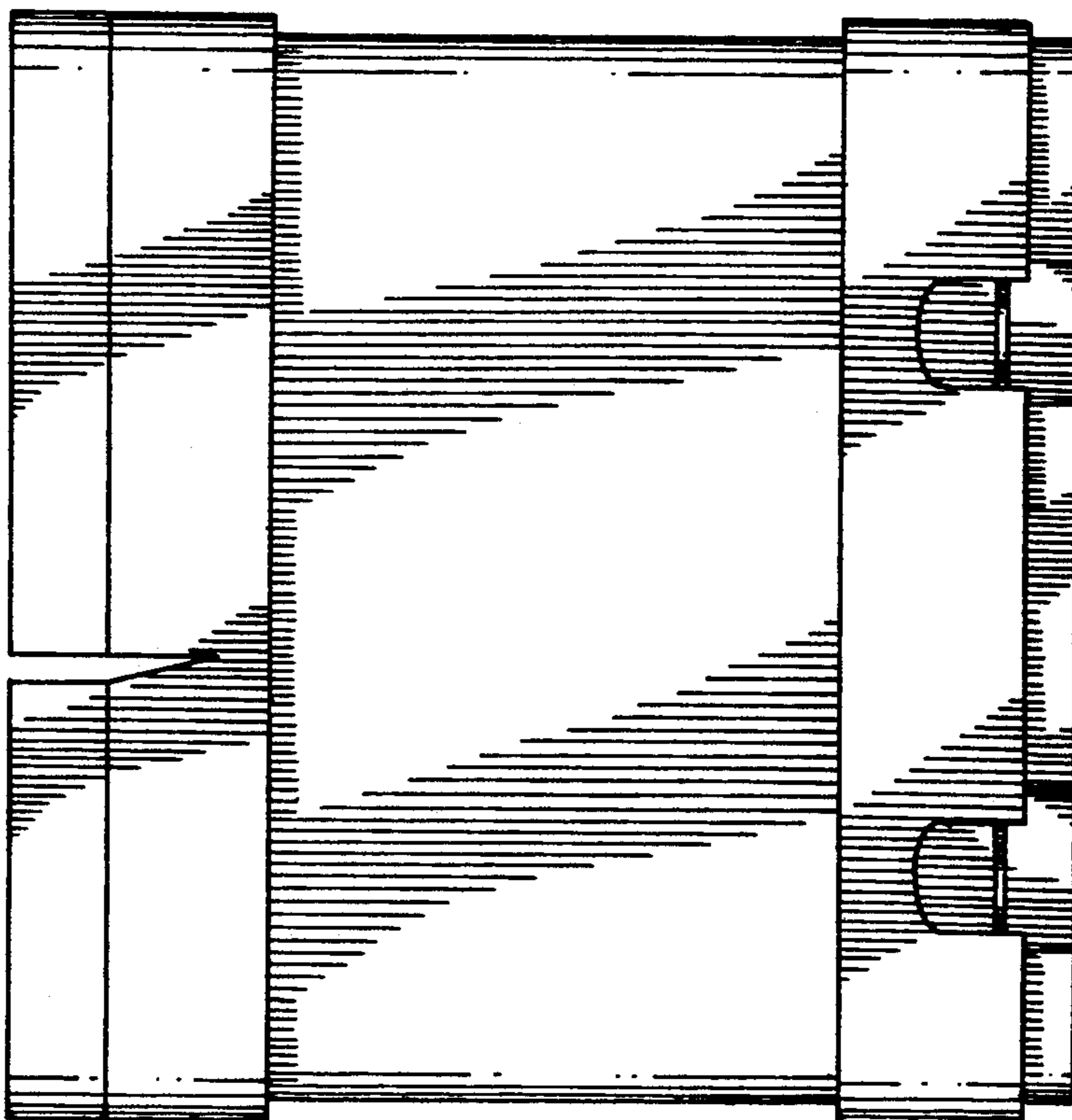


FIG. 3.

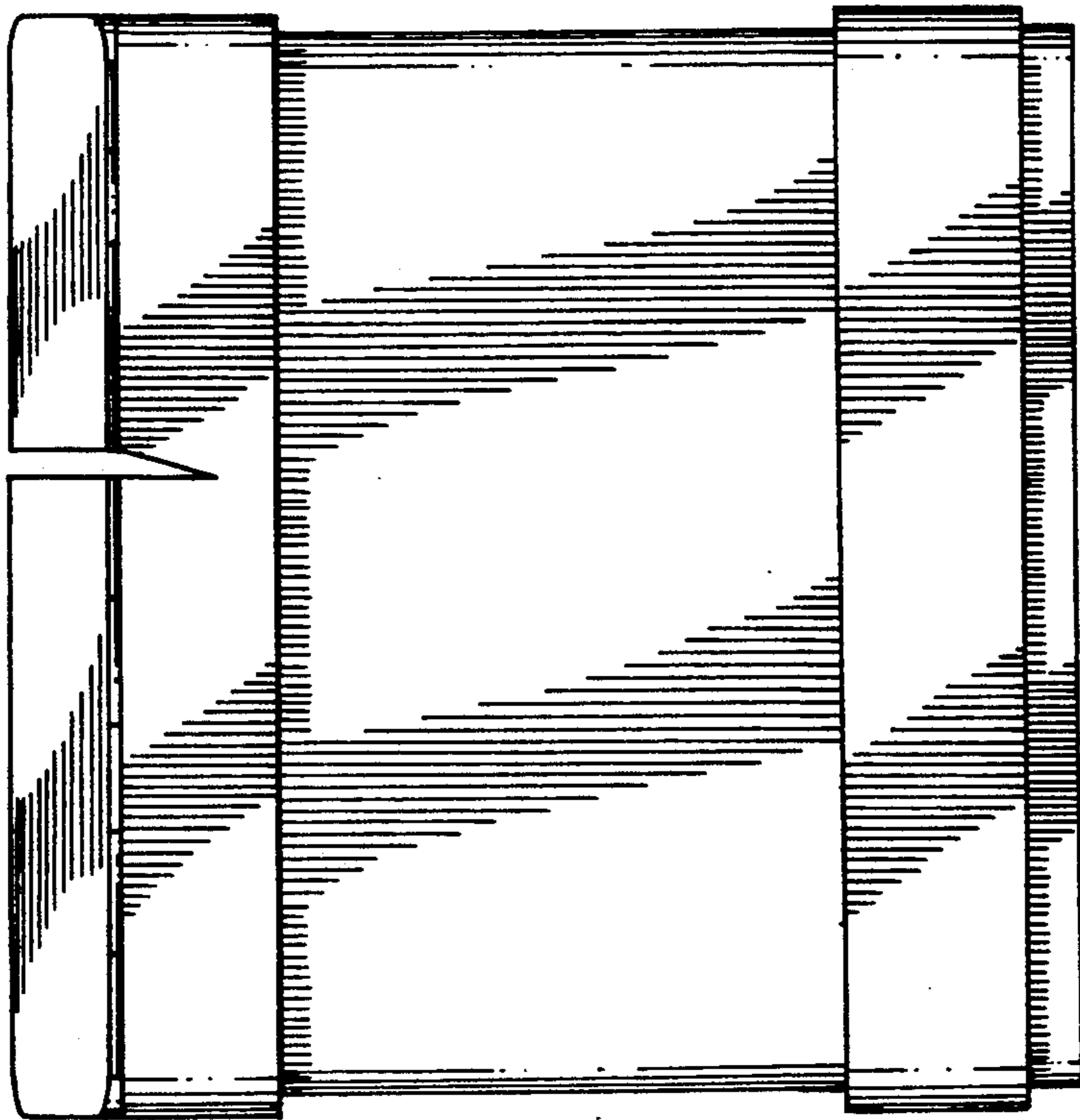


FIG. 5.

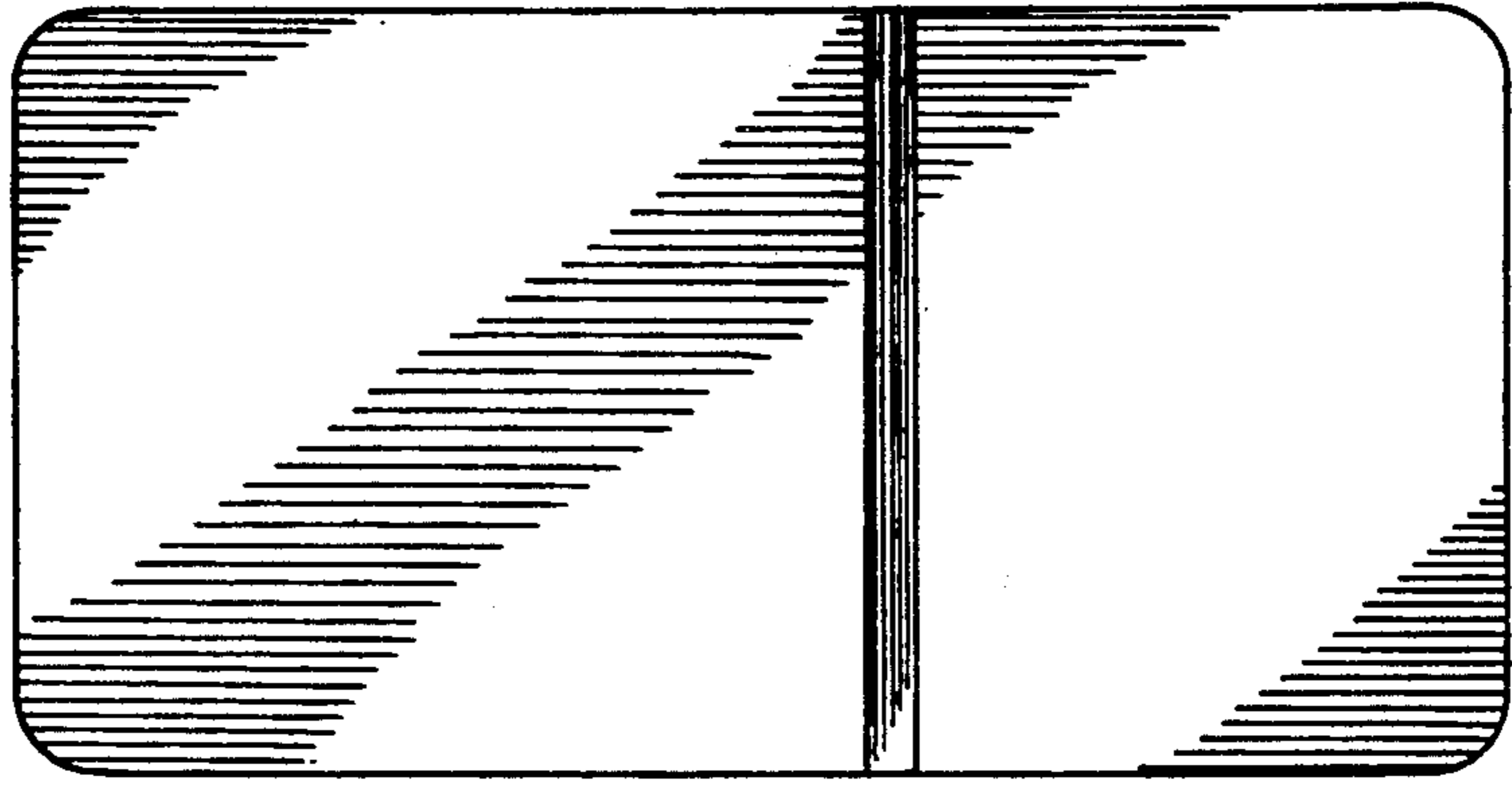


FIG. 6.

