



US00D333539S

United States Patent [19]

[11] Patent Number: **Des. 333,539**

Krämer et al.

[45] Date of Patent: **** Feb. 23, 1993**

[54] SUCTION CLEANER NOZZLE

[75] Inventors: **Wilfried Krämer, Reichshof-Odenspiel; Kalus-Dieter Riehl, Drolshagen-Brachtpe; Otto Illesy, Reichshof-Erdingen, all of Fed. Rep. of Germany**

[73] Assignee: **Wessel-Werk GmbH, Reichshof, Fed. Rep. of Germany**

[*] Notice: The portion of the term of this patent subsequent to Feb. 2, 2010 has been disclaimed.

[**] Term: **14 Years**

[21] Appl. No.: **402,141**

[22] Filed: **Sep. 1, 1989**

[52] U.S. Cl. **D32/32**

[58] Field of Search **D32/31-33, D32/25, 22; 15/321-322, 378-402, 415.1, 416-422.1**

[56] References Cited

U.S. PATENT DOCUMENTS

D. 161,681	1/1951	Dreyfuss	D32/33
D. 178,747	9/1956	Sason	D32/32
D. 280,033	8/1985	Miyamoto et al.	D32/22
D. 290,894	7/1987	Miyamoto et al.	D32/22
D. 295,092	4/1988	Mizuno et al.	D32/32
3,069,186	12/1962	Stevens	15/400

Primary Examiner—James R. Largen
Assistant Examiner—Ruth McInroy
Attorney, Agent, or Firm—Marmorek, Guttman & Rubenstein

[57] CLAIM

The ornamental design for a suction cleaner nozzle, as shown and described.

DESCRIPTION

FIG. 1 is a front perspective view of a suction cleaner nozzle showing my new design;
FIG. 2 is an exploded perspective view thereof;
FIG. 3 is a top plan view thereof, with the foot pedal in an alternate position;
FIG. 4 is a front elevational view thereof;
FIG. 5 is a side elevational view thereof; and,
FIG. 6 is a rear elevational view thereof.

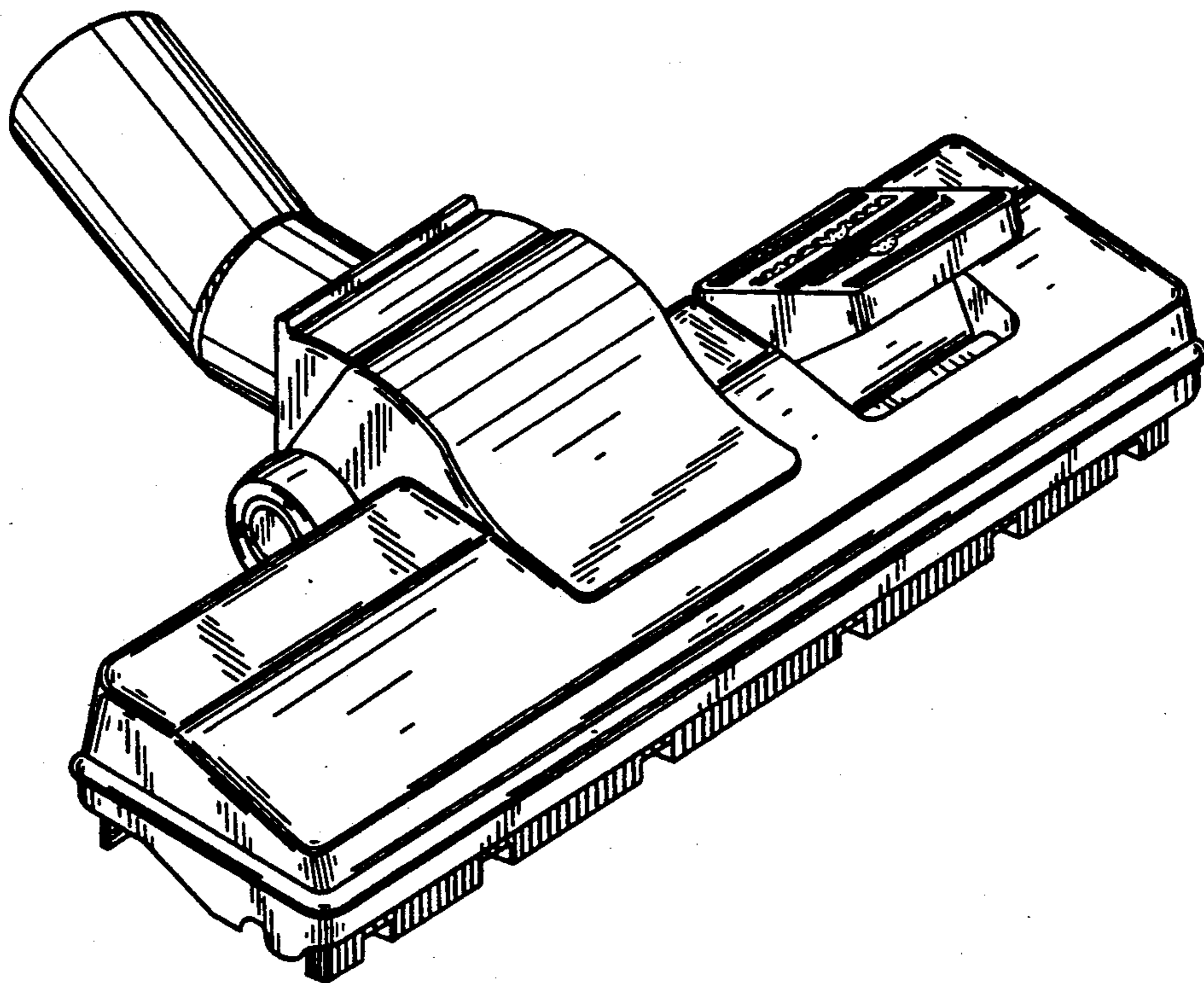
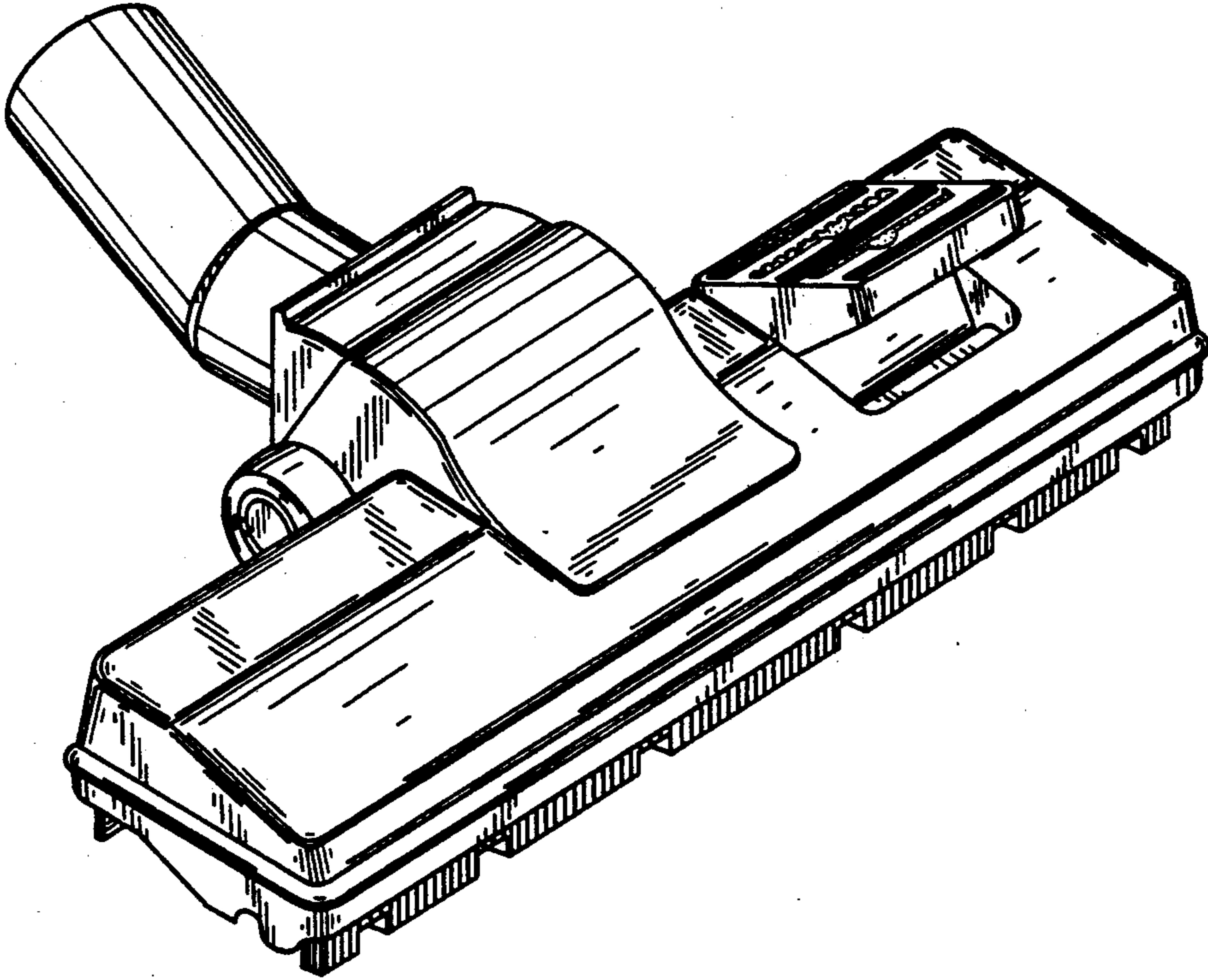
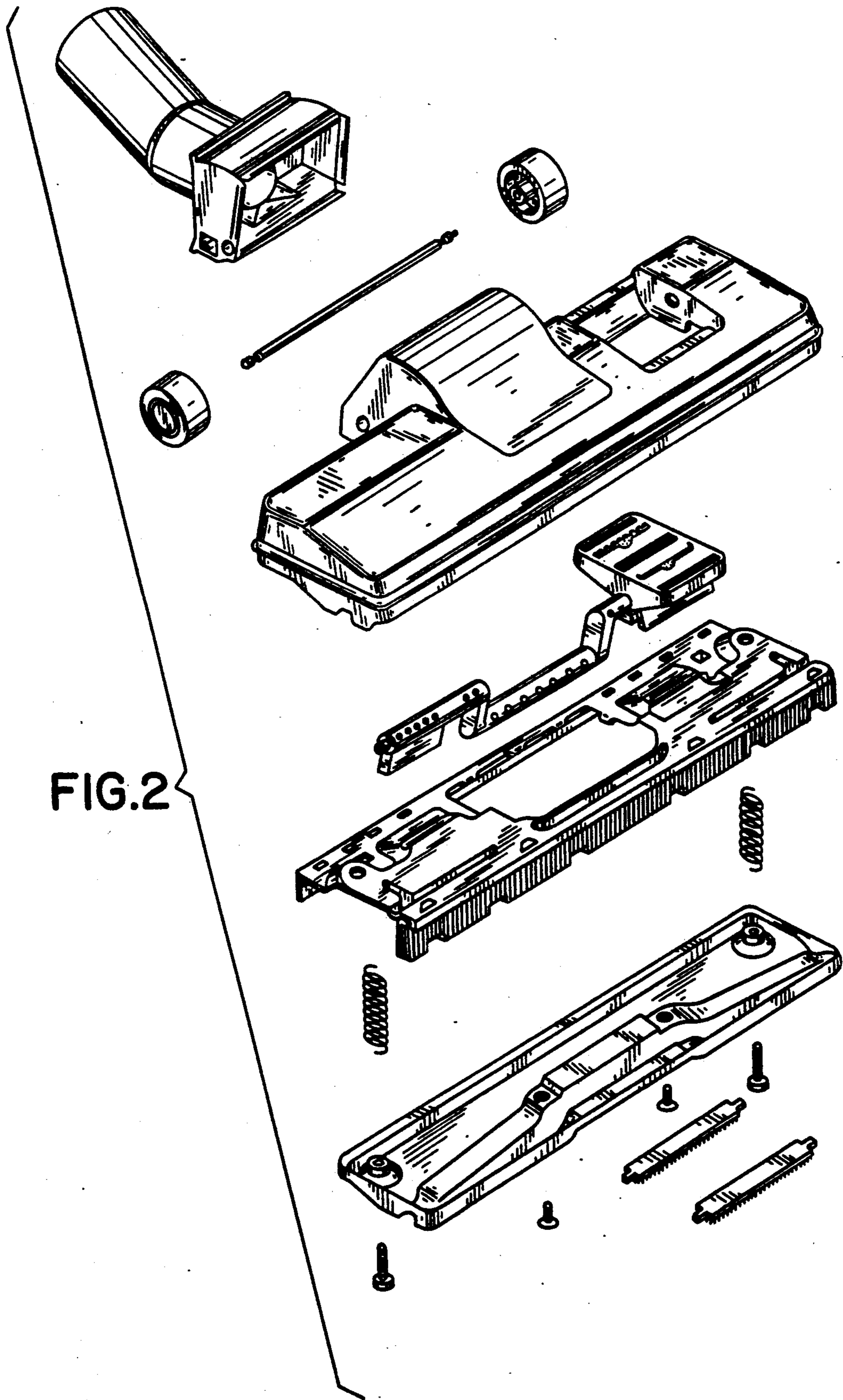


FIG. 1





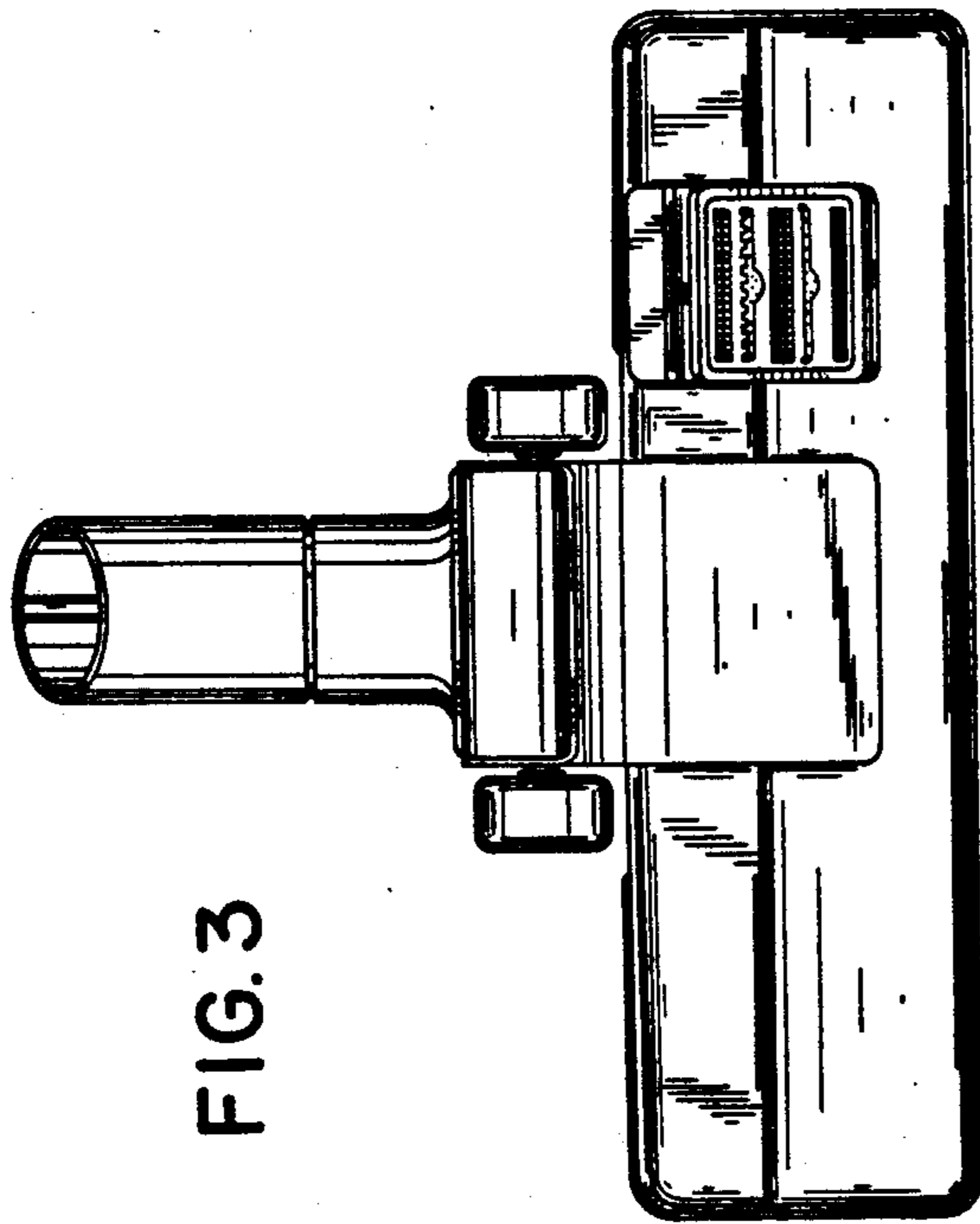


FIG. 5

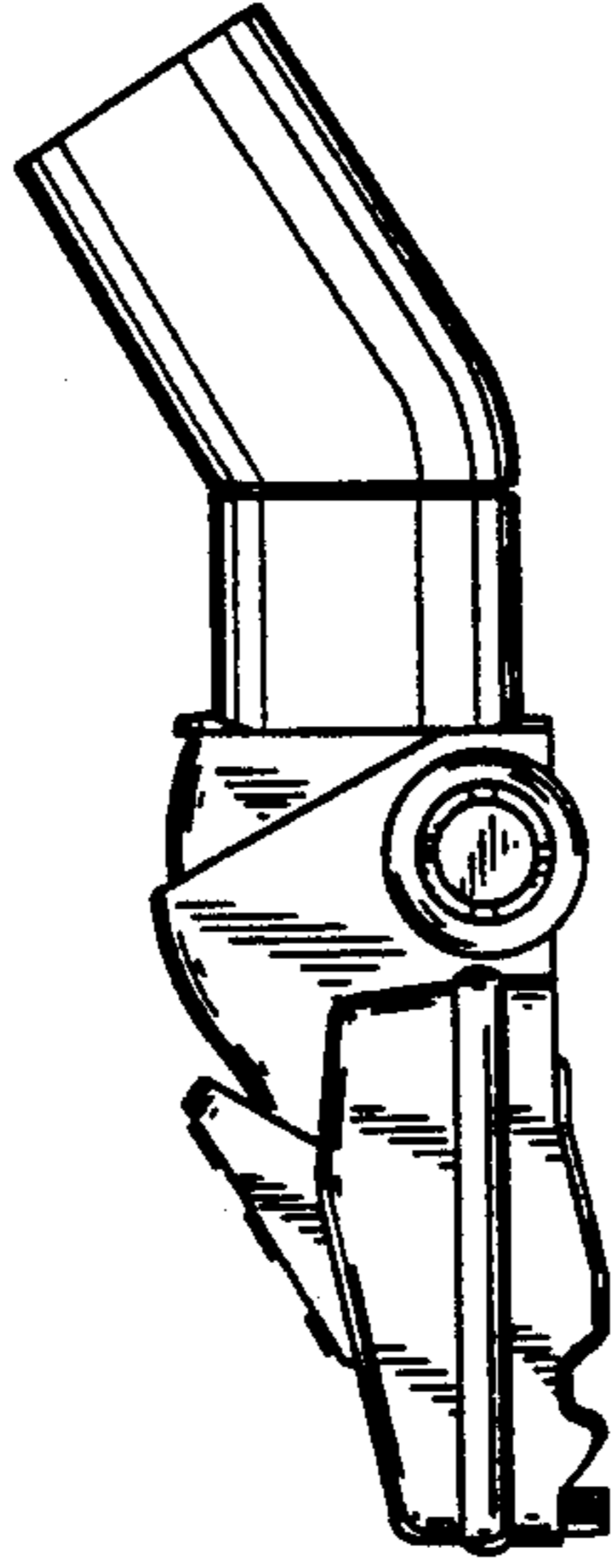


FIG. 4

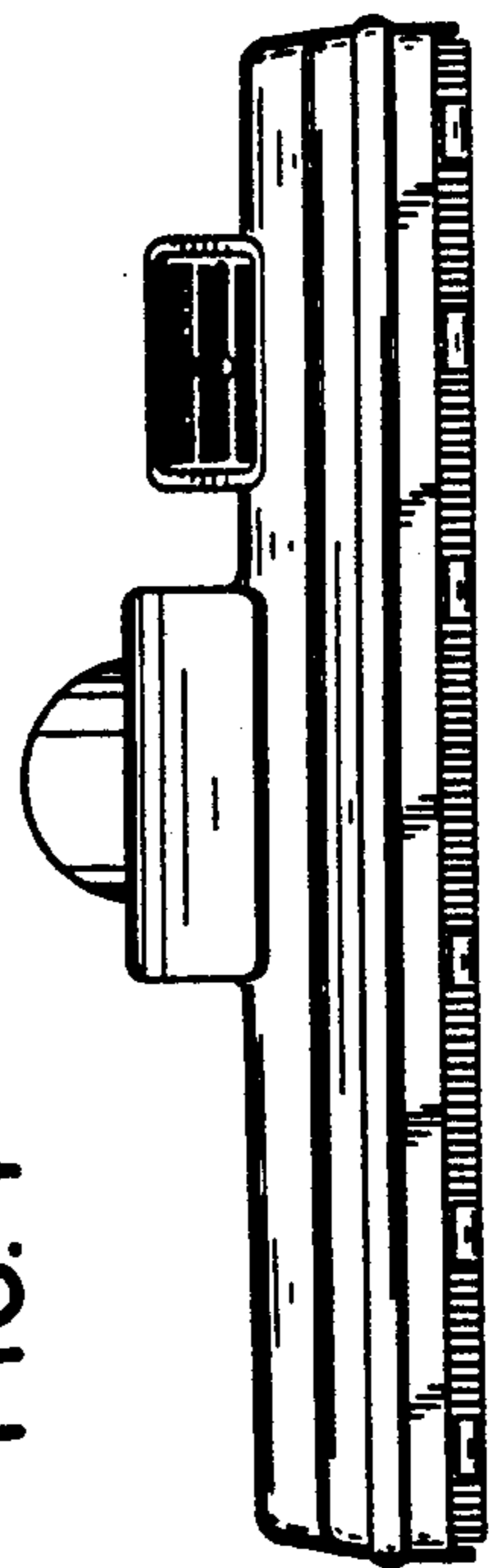


FIG. 6

