



US00D333536S

United States Patent [19]

[11] Patent Number: **Des. 333,536**

Dooley

[45] Date of Patent: **** Feb. 23, 1993**

- [54] **CATCHER'S MASK VISOR**
- [76] Inventor: **Timothy J. Dooley, 964 Murdoch La., Ventura, Calif. 93003**
- [**] Term: **14 Years**
- [21] Appl. No.: **525,481**
- [22] Filed: **May 18, 1990**
- [52] U.S. Cl. **D29/16**
- [58] Field of Search **D29/12-17;**
2/410-411, 414, 421-425, 9, 190

Rawlings, 1982 Spring & Summer Cat., p. 23, "Baseball & Softball Masks".

Primary Examiner—A. Hugo Word
Assistant Examiner—Ruth McInroy
Attorney, Agent, or Firm—Jones, Day, Reavis & Pogue

[57] CLAIM

The ornamental design for a catcher's mask visor, as shown and described.

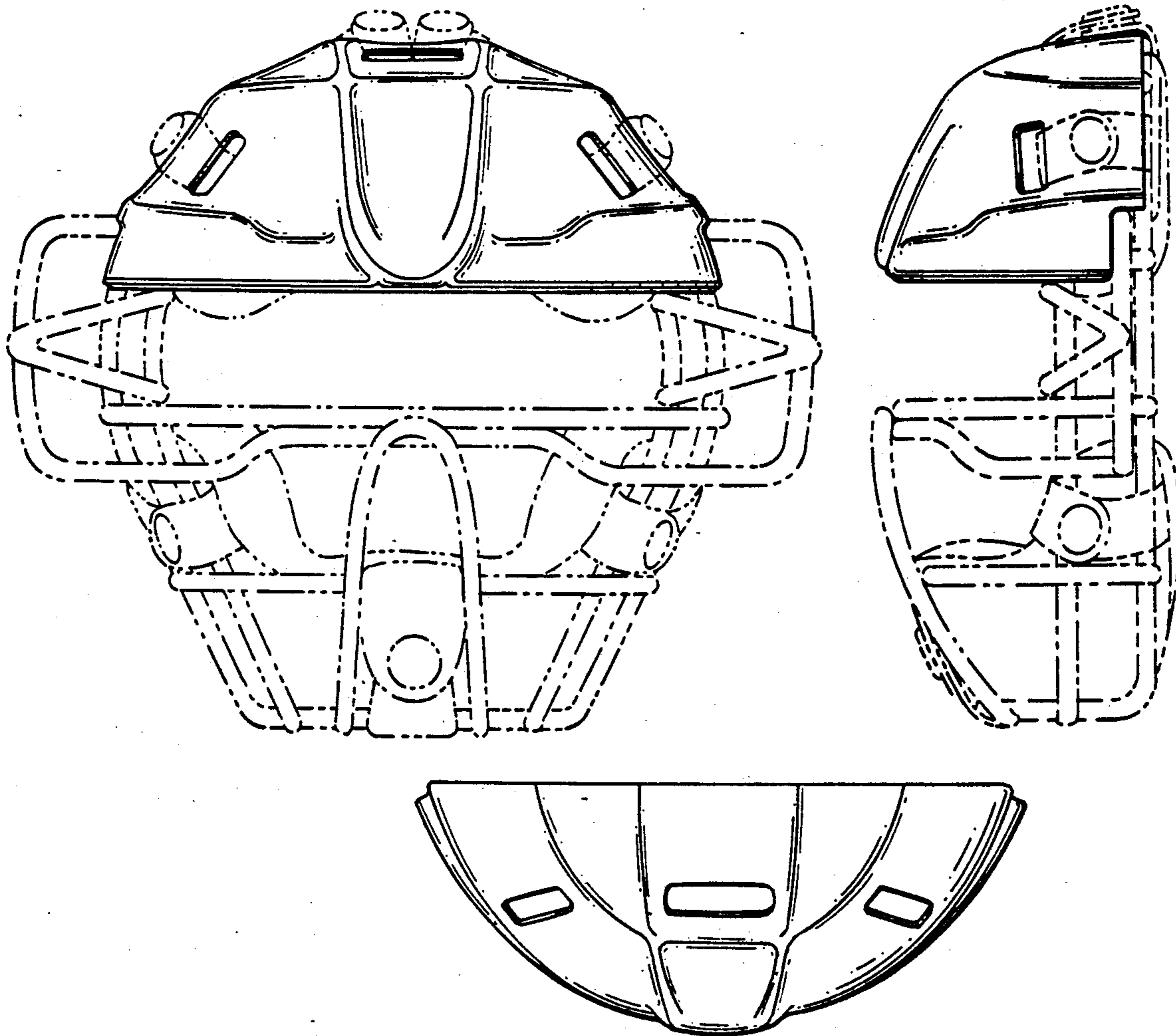
DESCRIPTION

FIG. 1 is a front elevational view of a catcher's mask visor showing my new design; FIG. 2 is a top plan view thereof; FIG. 3 is a bottom plan view thereof; FIG. 4 is a rear elevational view thereof; FIG. 5 is a right side elevational view thereof; and, FIG. 6 is a left side elevational view thereof.

The mask shown in broken lines in FIGS. 1, 5 and 6 is shown for illustrative purposes only and forms no part of the claimed design.

- [56] **References Cited**
- U.S. PATENT DOCUMENTS**
- D. 282,117 1/1986 Gronborg et al. D29/16
- 4,736,466 4/1988 Kallstrom D29/16

OTHER PUBLICATIONS
Rawlings & Adirondack, Spring & Summer, 1974, p. 33, "Masks".



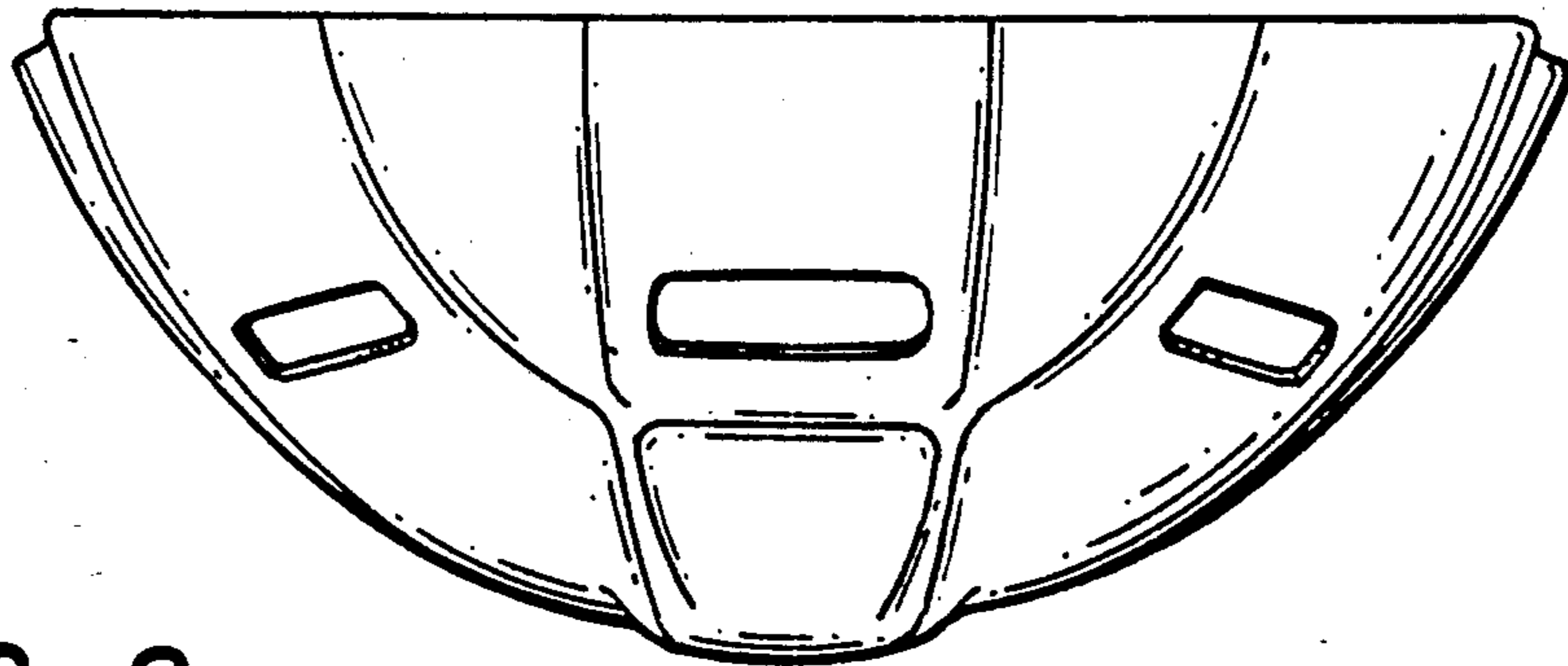


FIG. 2

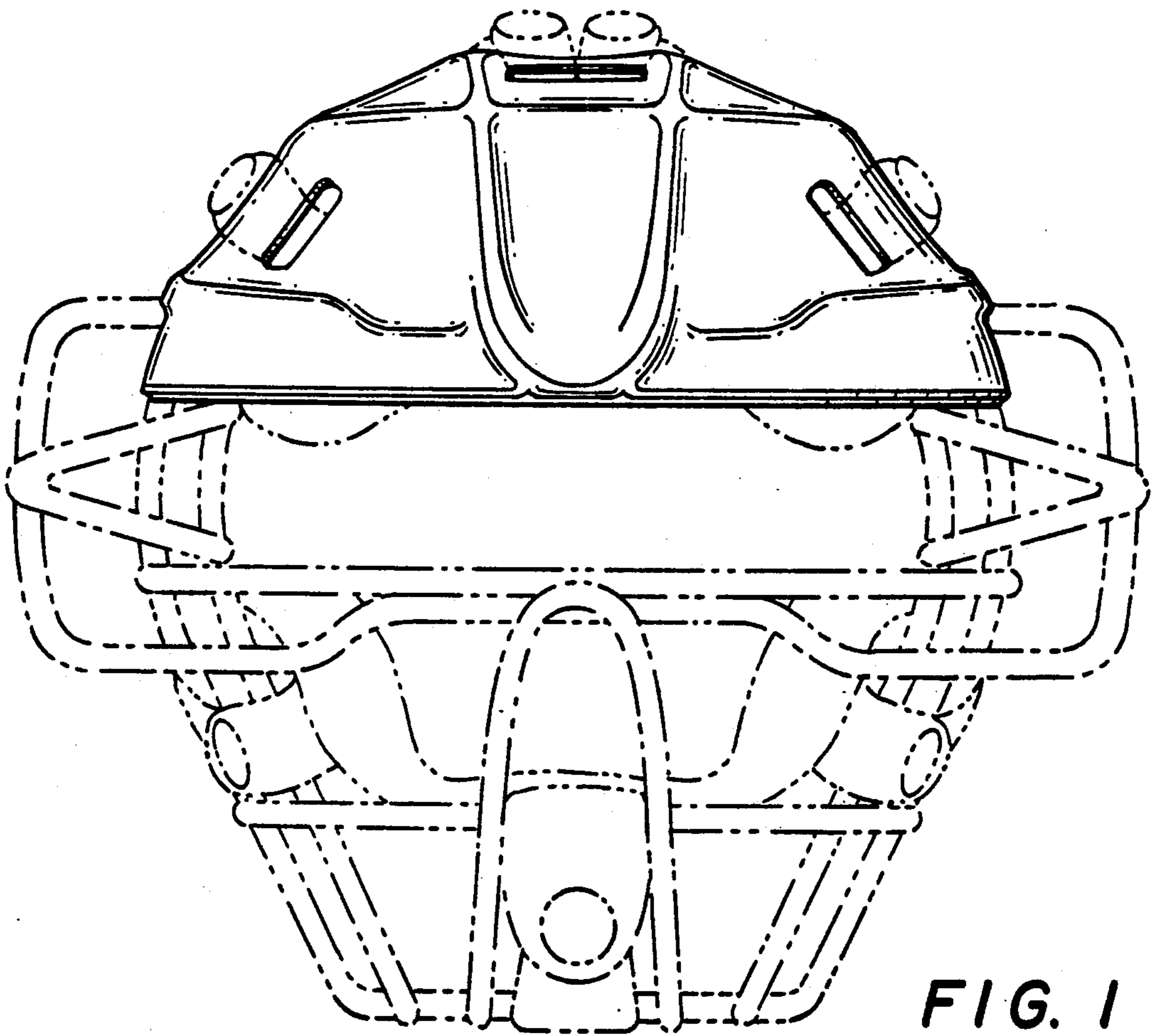
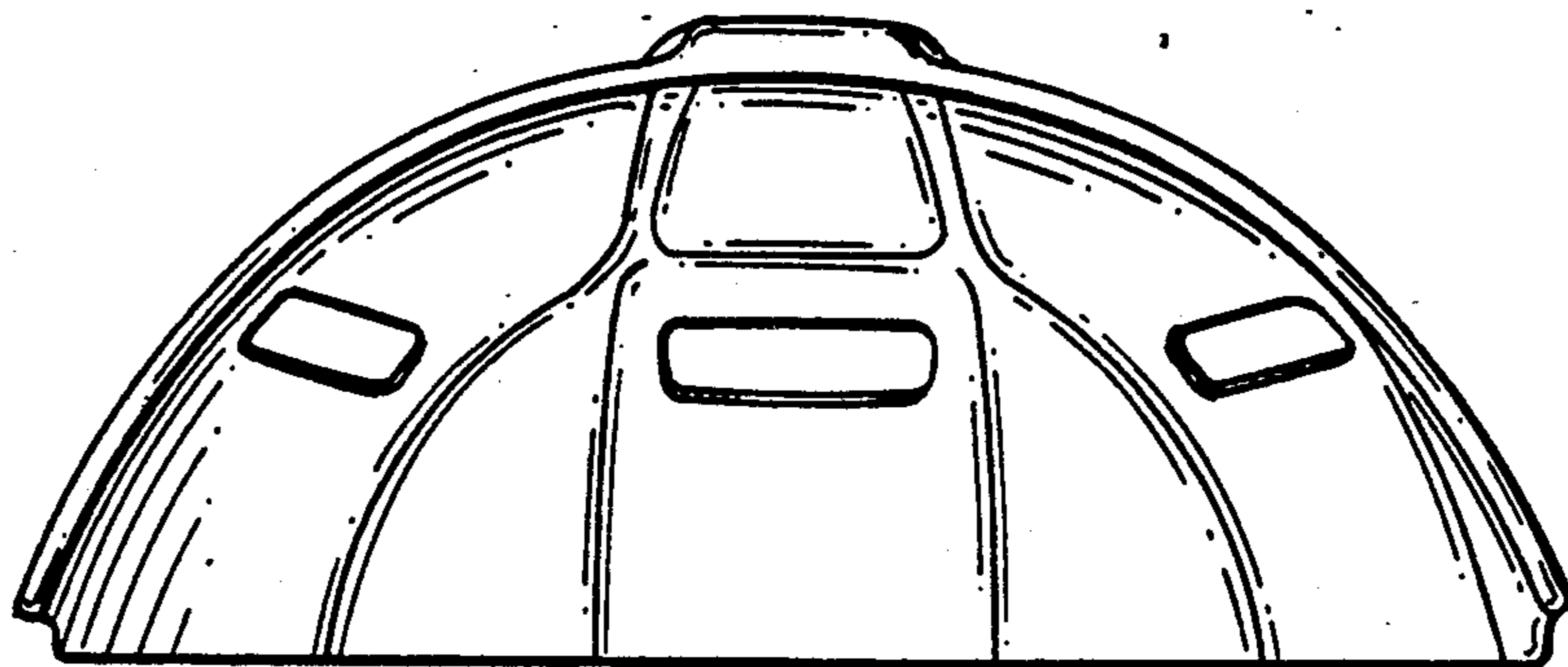


FIG. 1

FIG. 3



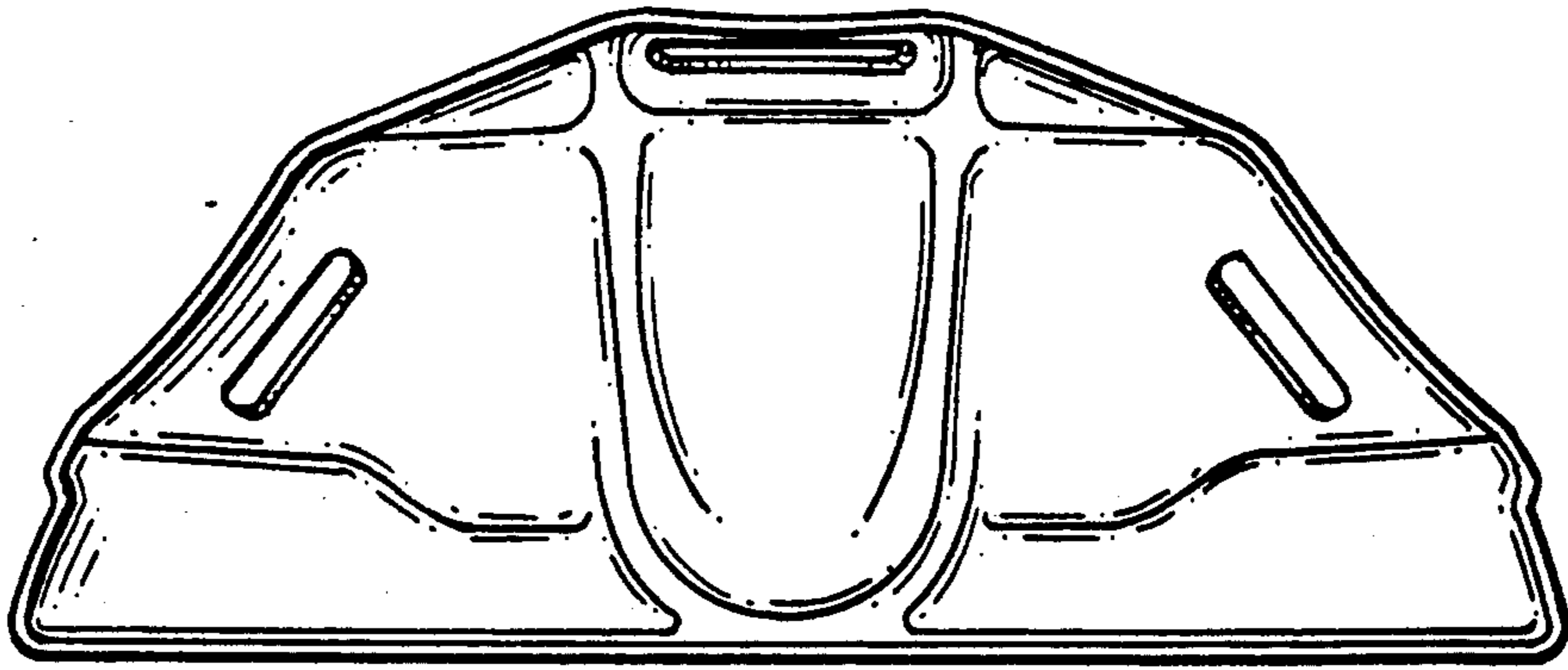


FIG. 4

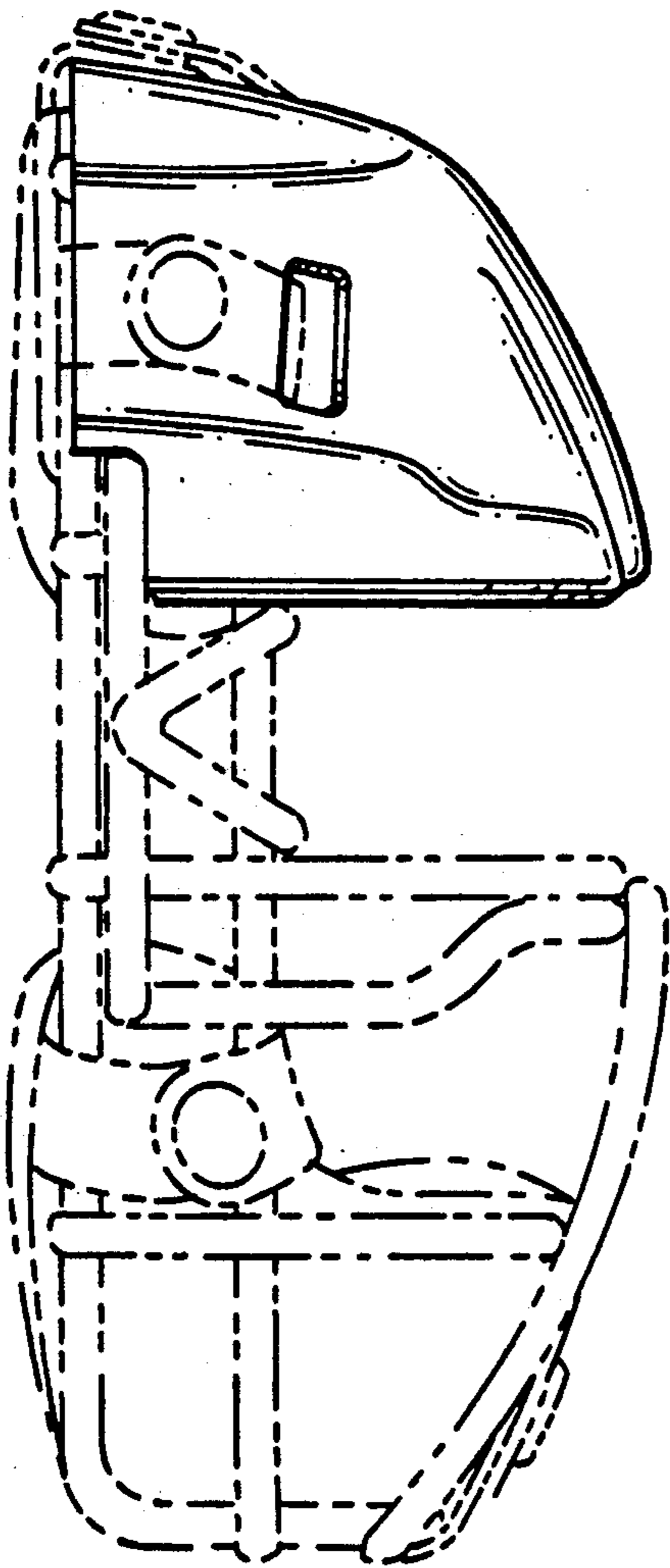


FIG. 5

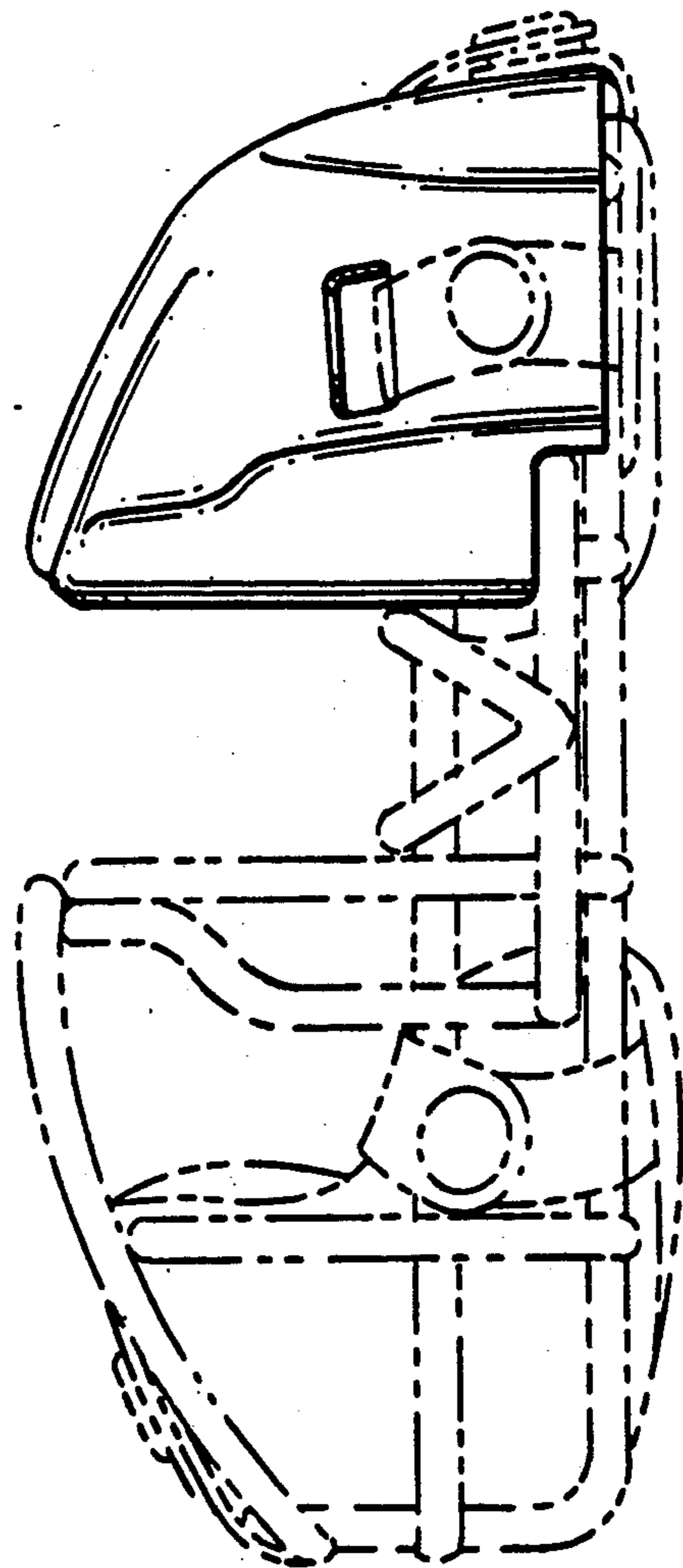


FIG. 6