



US00D333535S

# United States Patent [19]

[11] Patent Number: **Des. 333,535**

Kamen et al.

[45] Date of Patent: **\*\* Feb. 23, 1993**

[54] **COSMETIC COMPACT**

[75] Inventors: **Melvin E. Kamen, Highlands; Philip Bernstein, Glen Ridge, both of N.J.**

[73] Assignee: **Revlon Consumer Products Corporation, New York, N.Y.**

3,397,707	8/1968	Aversa .....	132/317
3,502,089	3/1970	Paradis .....	132/315
3,559,854	2/1971	Loveland .....	224/219
3,760,820	9/1973	Seidler .....	206/229
4,569,438	2/1986	Sheffler .....	206/37
4,679,692	7/1987	Davey .....	206/581
4,684,017	8/1987	Watanabe et al. ....	206/235
4,777,969	10/1988	Holloway .....	132/314

[\*\*] Term: **14 Years**

### FOREIGN PATENT DOCUMENTS

[21] Appl. No.: **548,634**

338377	3/1936	Italy .....	401/125
685054	12/1952	United Kingdom .....	401/129

[22] Filed: **Jul. 5, 1990**

[52] U.S. Cl. .... **D28/78**

[58] Field of Search ..... **D28/7, 76, 77, 82, 88; 132/294, 314, 315, 317; 401/125; 206/235, 581, 823**

*Primary Examiner*—Bernard Ansher  
*Assistant Examiner*—C. Tuttle  
*Attorney, Agent, or Firm*—Julie Blackburn

### [56] References Cited

#### U.S. PATENT DOCUMENTS

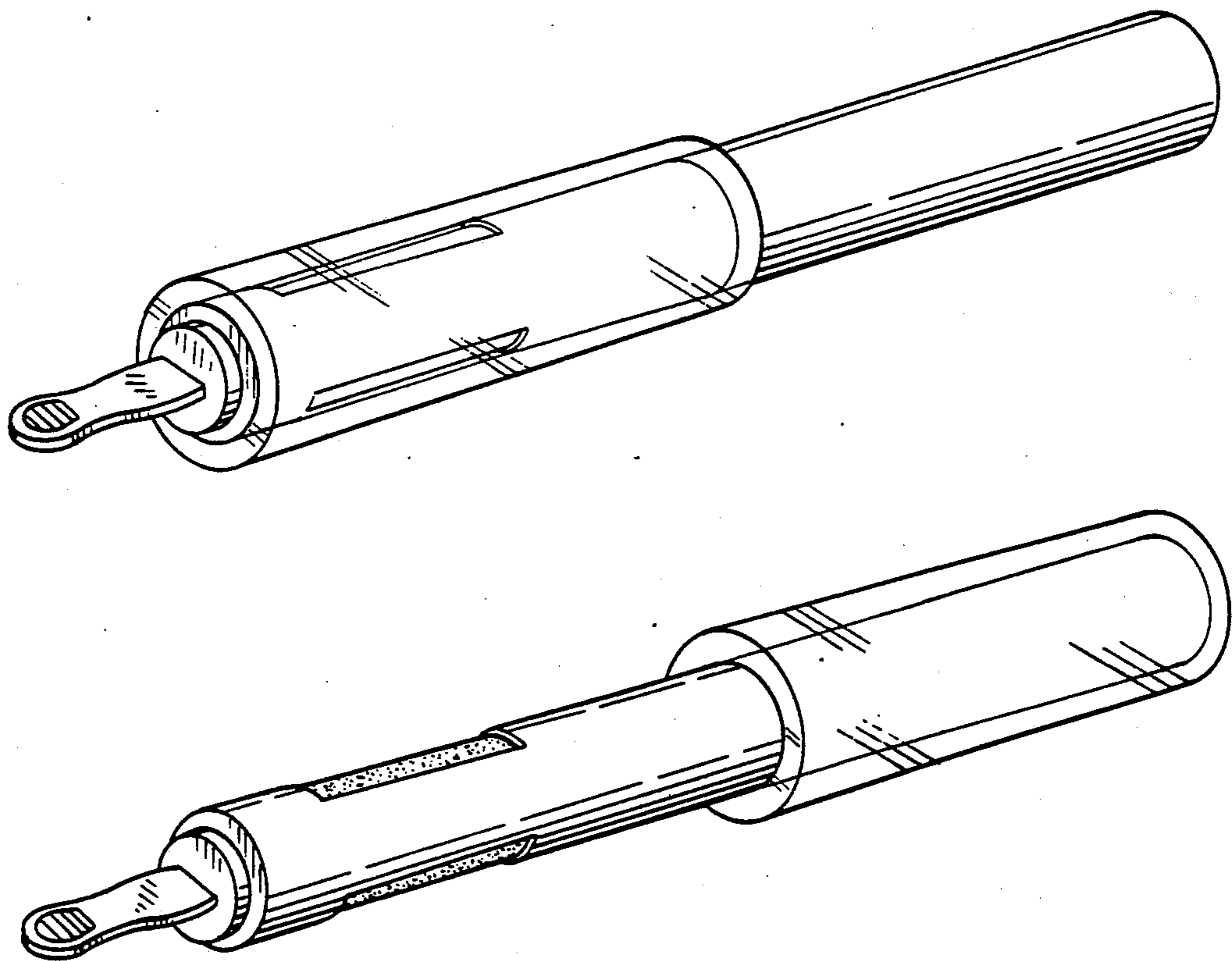
D. 275,133	8/1984	Davey .....	D28/88 X
D. 277,324	1/1985	Davey .....	D28/89 X
D. 304,094	10/1989	Bennett .....	D28/7
793,327	6/1905	Swoyer .....	401/125
1,682,534	8/1928	Martinat .....	132/297
1,712,496	5/1929	Goertz .....	401/125
2,281,532	4/1942	Lewis .....	401/125
2,375,027	5/1945	Naidech .....	132/317
2,521,269	9/1950	Turnes .....	401/124
2,943,344	7/1960	Reed .....	15/258
2,951,489	6/1960	Roberts .....	401/125
3,132,653	5/1964	Gazdik .....	401/129
3,317,078	5/1967	Gordon .....	220/342
3,363,635	1/1968	Wurmbock .....	401/128

### [57] CLAIM

The ornamental design for a cosmetic compact, as shown and described.

### DESCRIPTION

FIG. 1 is a perspective view of a cosmetic compact showing our new design;  
 FIG. 2 is a left end elevational view thereof;  
 FIG. 3 is a right end elevational view thereof;  
 FIG. 4 is front elevational view thereof, the side opposite being a mirror image of the side shown;  
 FIG. 5 is a top plan view thereof, the side opposite being mirror image of side shown;  
 FIG. 6 is a perspective view in an open condition; and,  
 FIG. 7 is a cross sectional view taken along line 7—7 of FIG. 4..



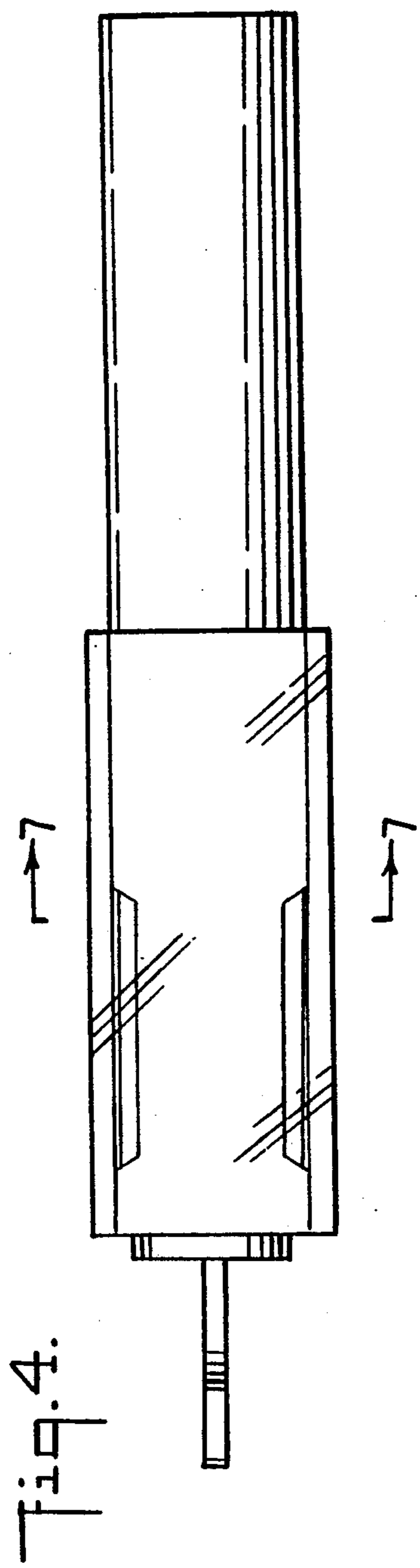
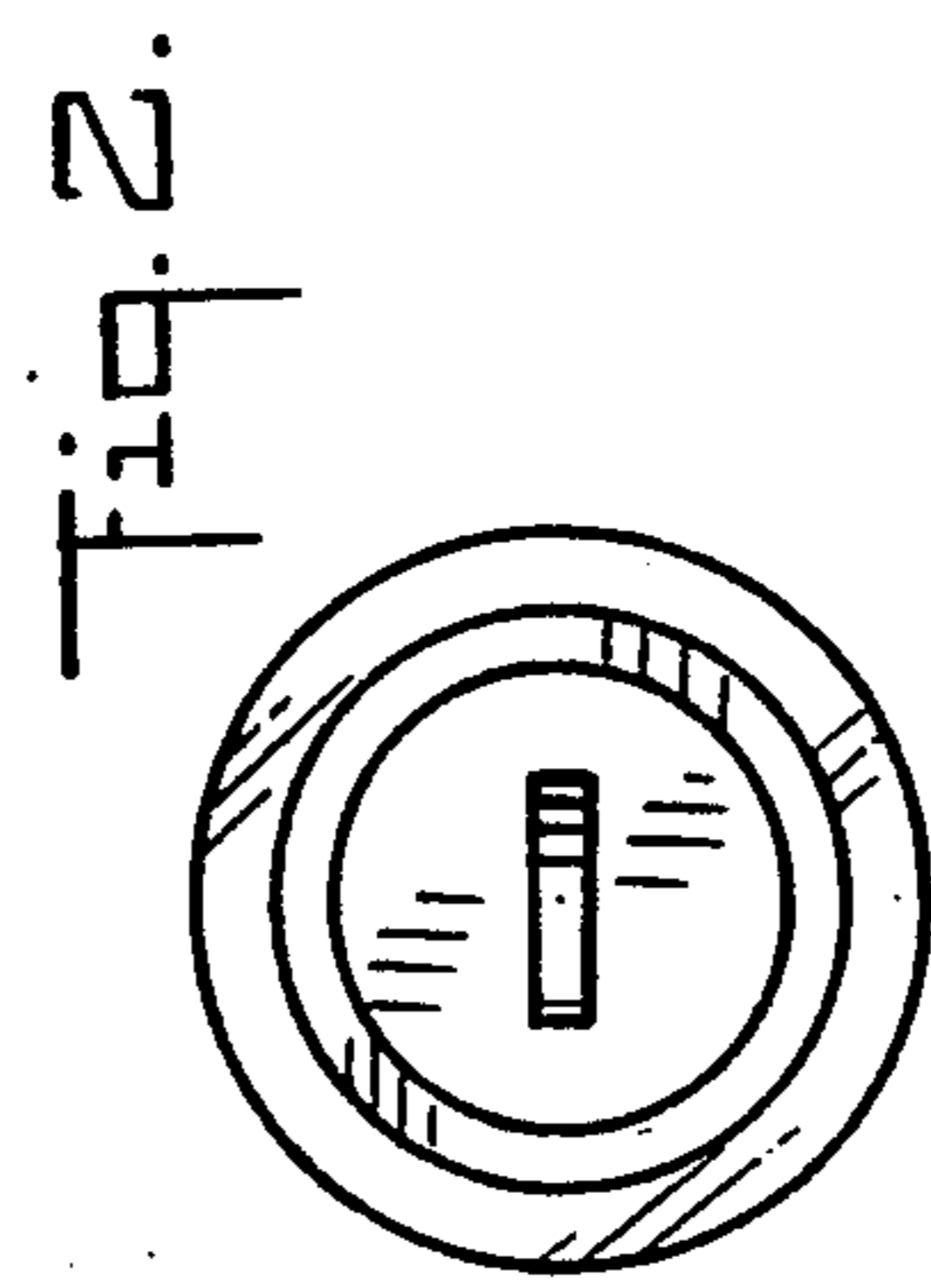
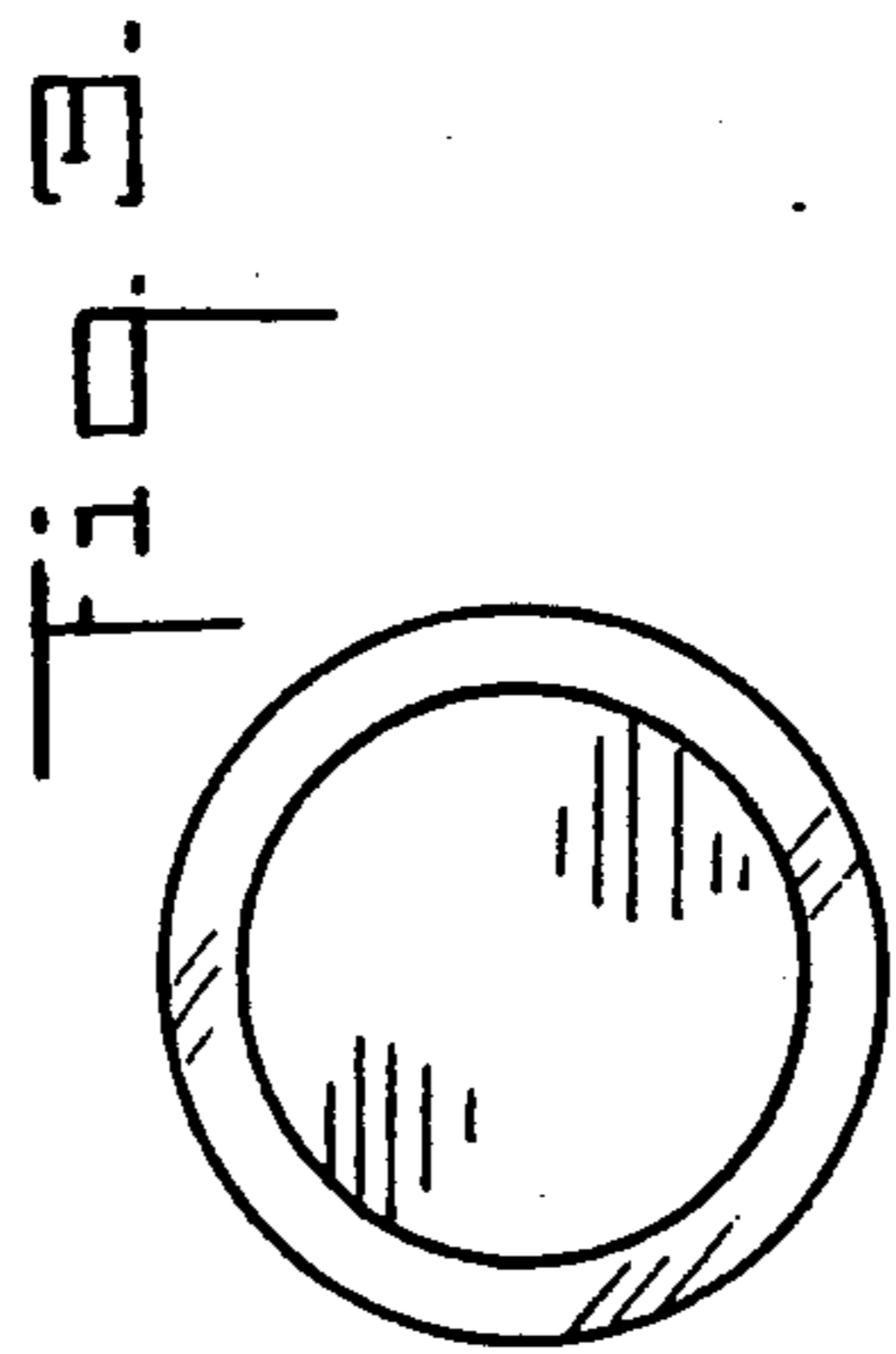
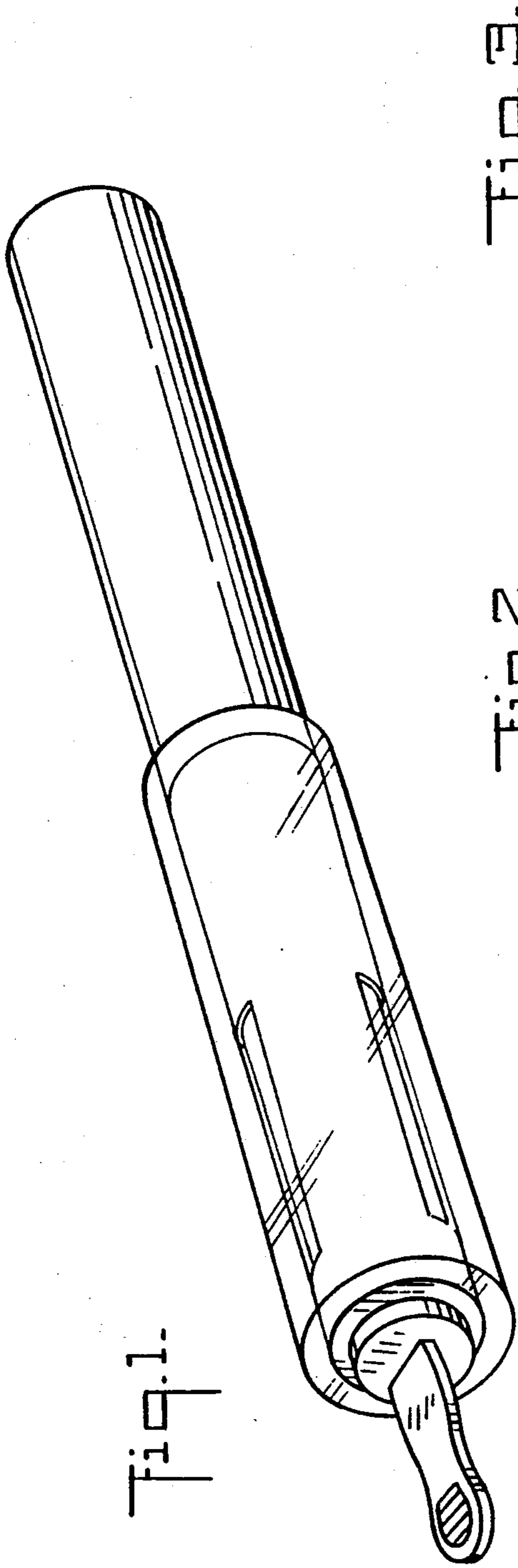


Fig. 5.

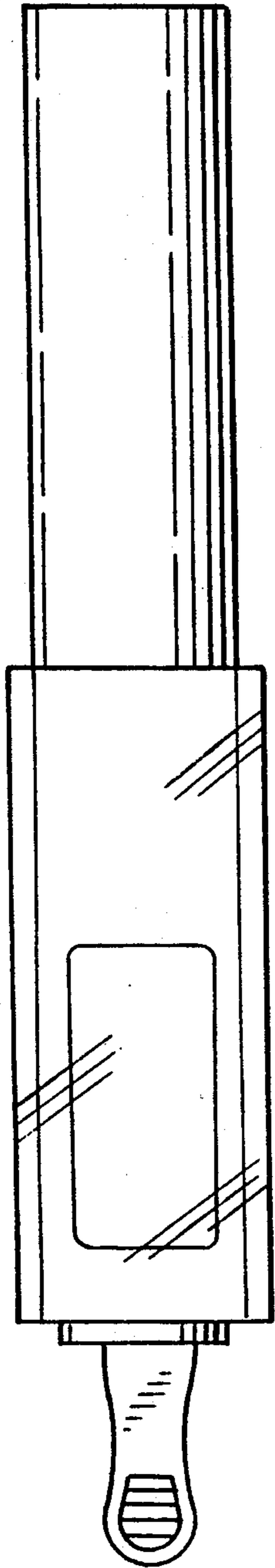


Fig. 7.

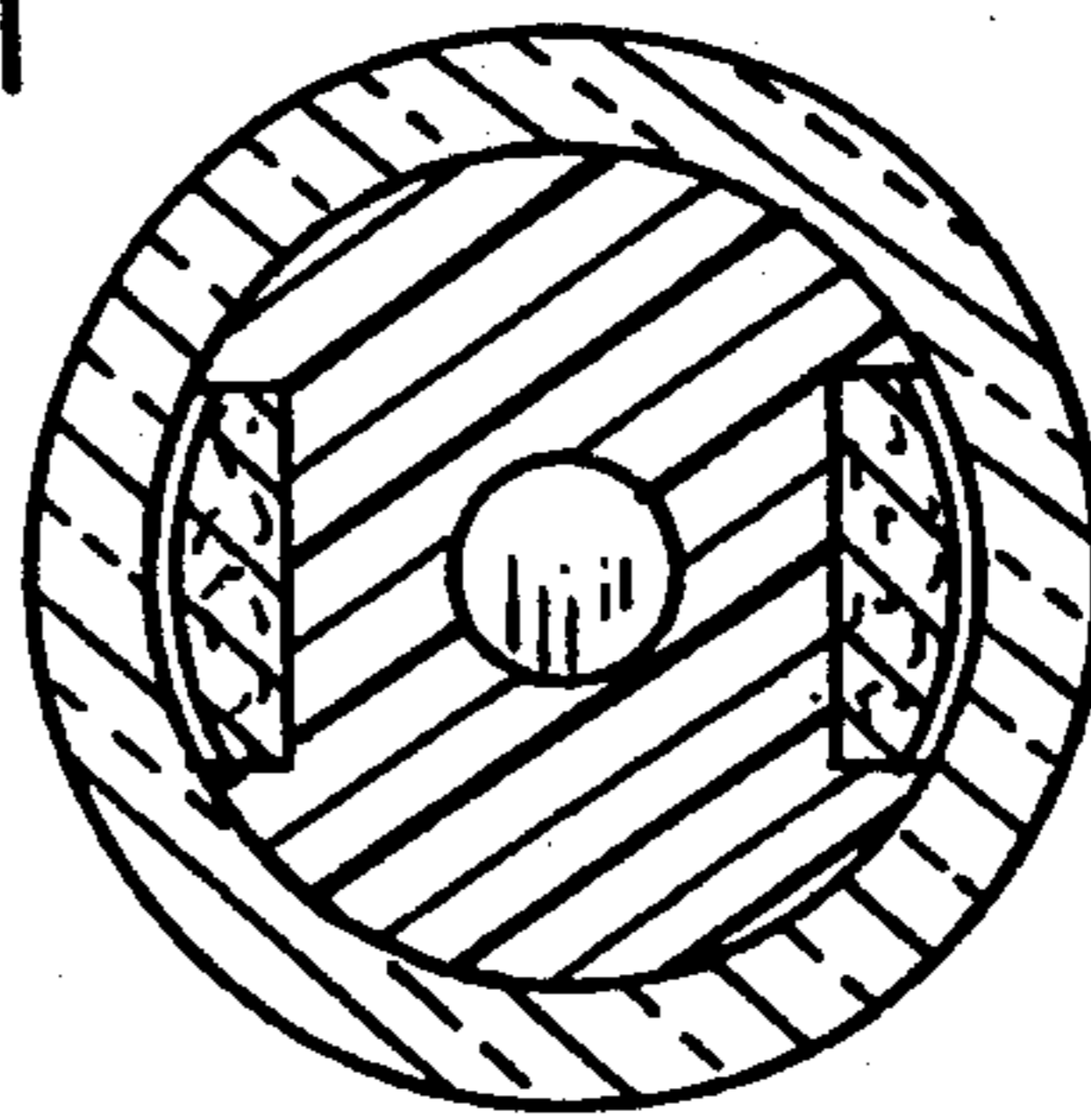


Fig. 6.

