



US00D333532S

United States Patent [19]

Campbell

[11] Patent Number: Des. 333,532

[45] Date of Patent: ** Feb. 23, 1993

[54] CIGARETTE PACK

[75] Inventor: Christopher J. Campbell, Pully, Switzerland

[73] Assignee: Fabriques de Tabac Reunies, S.A., Neuchatel, Switzerland

[**] Term: 14 Years

[21] Appl. No.: 699,795

[22] Filed: May 14, 1991

[30] Foreign Application Priority Data

Nov. 14, 1990 [GB] United Kingdom 2011064

[52] U.S. Cl. D27/189

[58] Field of Search D27/186, 189, 190, 191; 206/246, 102, 259, 268, 265, 261; D9/423, 432

[56] References Cited

U.S. PATENT DOCUMENTS

- D. 218,679 9/1970 Current D9/423
- D. 230,569 3/1974 Fallowfield D9/423
- D. 244,833 6/1977 Persson D9/423
- D. 261,234 10/1981 Abraham D9/432
- D. 292,839 11/1987 Brogdon D9/432
- D. 303,298 9/1989 Grant D27/189 X

D. 311,333 10/1990 Fultz et al. D9/423

Primary Examiner—Wallace R. Burke
Assistant Examiner—H. Baynham
Attorney, Agent, or Firm—Jeffrey H. Ingerman

[57] CLAIM

The ornamental design for a cigarette pack, as shown and described.

DESCRIPTION

FIG. 1 is a front, left, top perspective view of a cigarette pack in the closed position, showing my new design;
 FIG. 2 is a front elevational view thereof;
 FIG. 3 is a rear elevational view thereof;
 FIG. 4 is a right side elevational view thereof;
 FIG. 5 is a left side elevational view thereof;
 FIG. 6 is a top plan view thereof;
 FIG. 7 is a bottom plan view thereof;
 FIG. 8 is a perspective view thereof in an open position;
 FIG. 9 is a front elevational view thereof;
 FIG. 10 is a rear elevational view thereof;
 FIG. 11 is a right side elevational view thereof;
 FIG. 12 is a left side elevational view thereof;
 FIG. 13 is a top plan view thereof; and,
 FIG. 14 is a bottom plan view thereof.

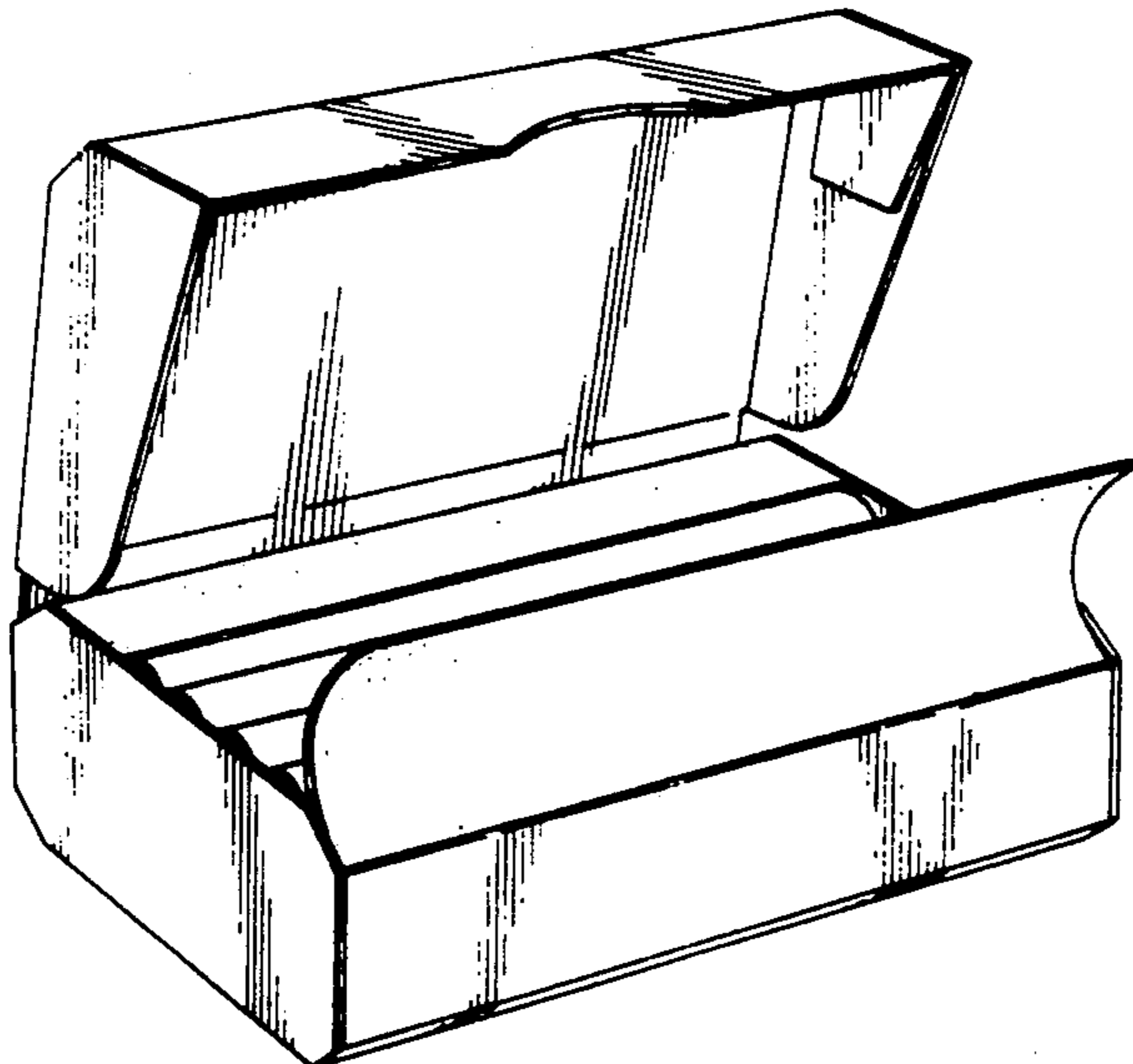
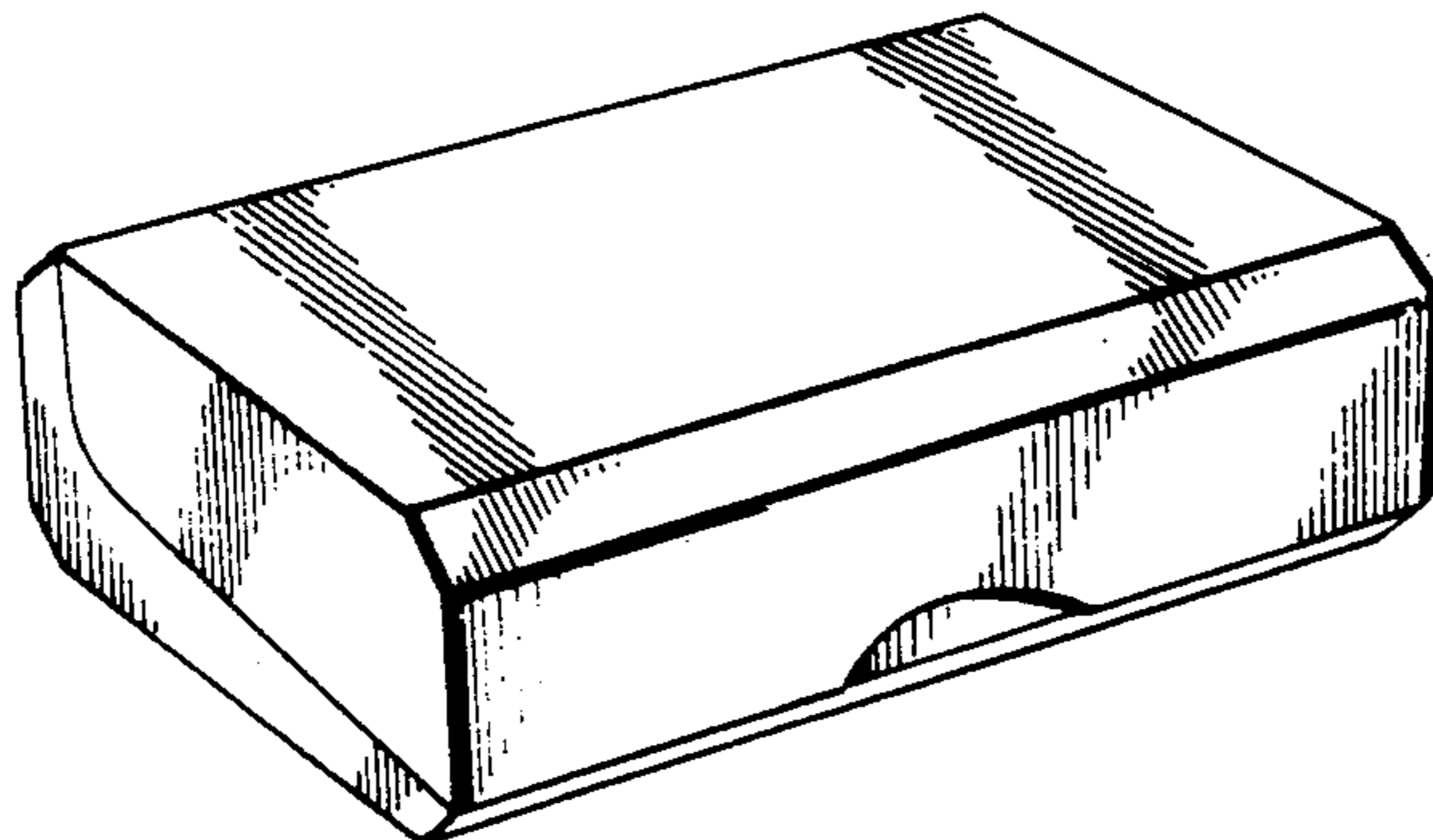


Fig. 1.

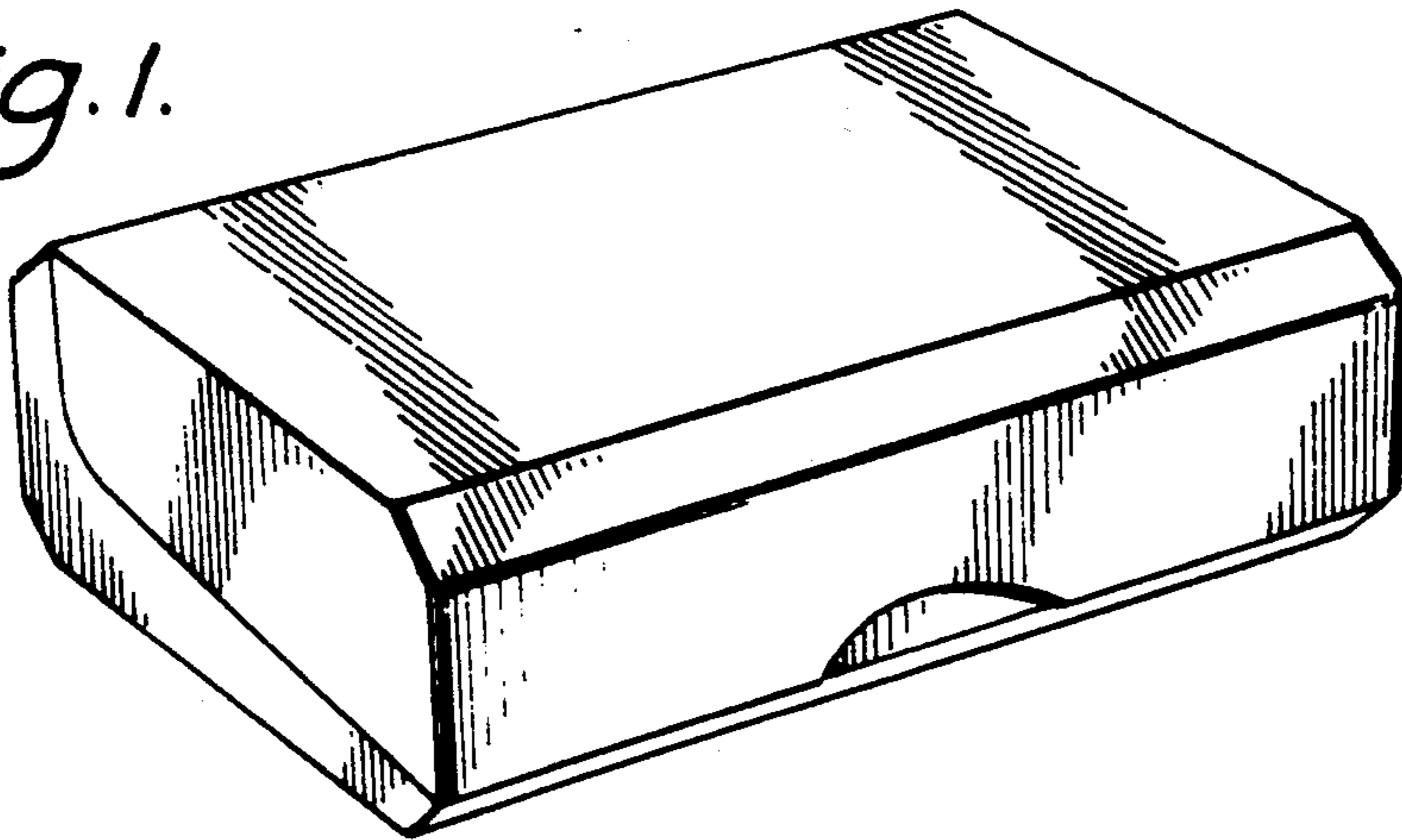


Fig. 2.

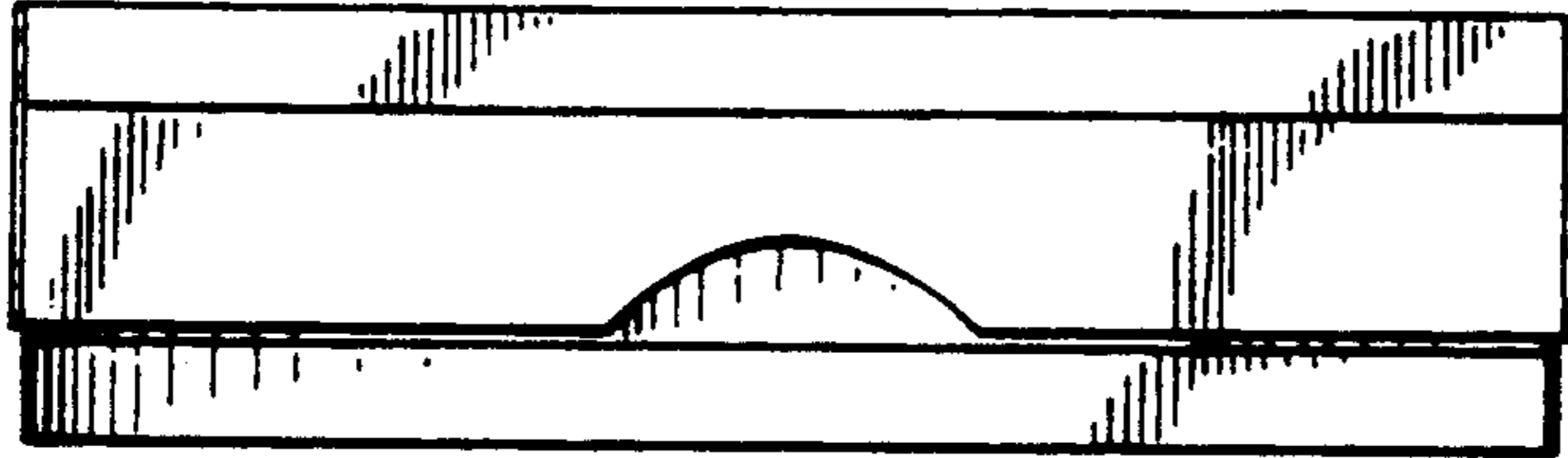


Fig. 3.

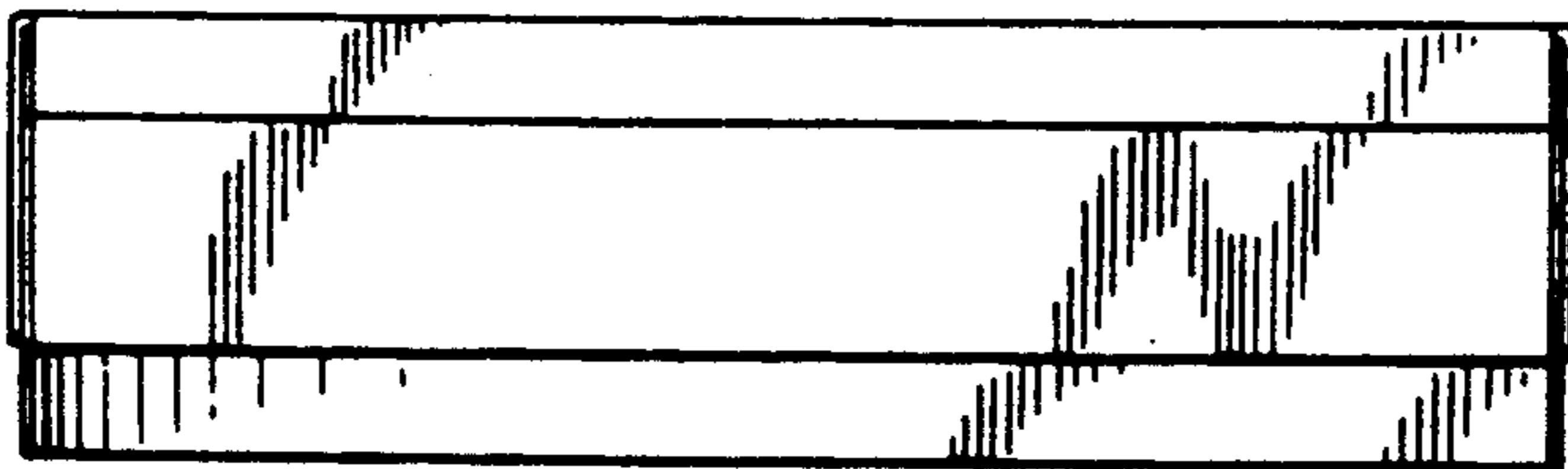


Fig. 4.

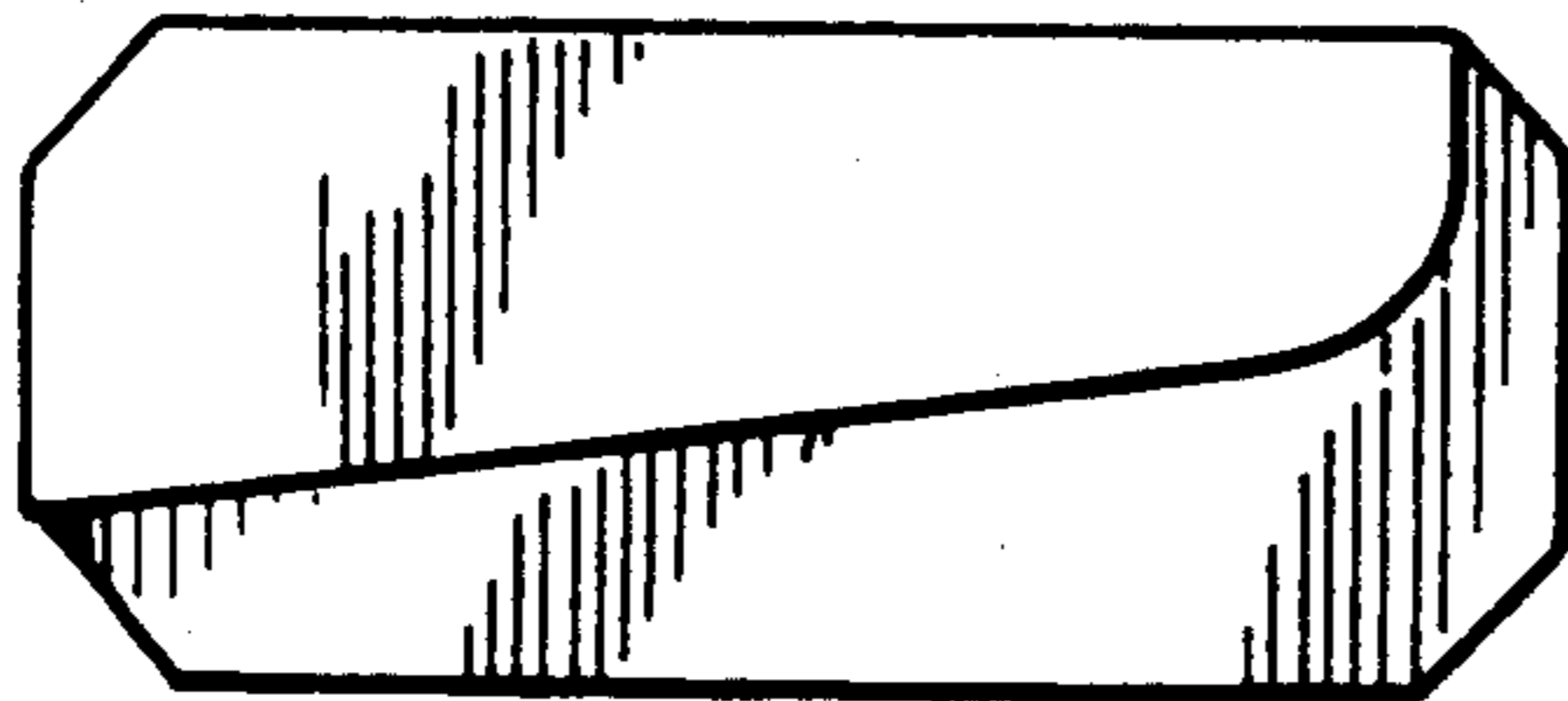


Fig. 5.

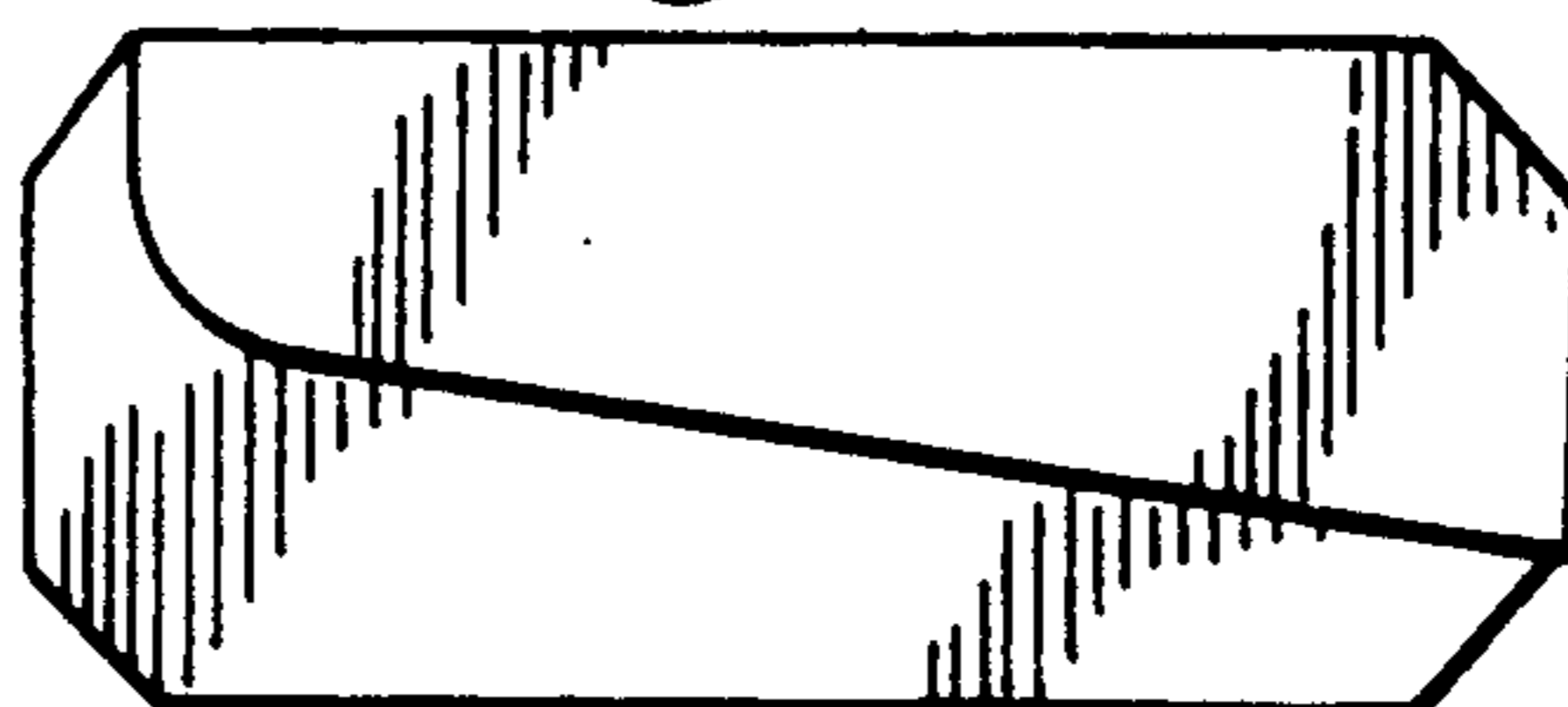


Fig. 6.

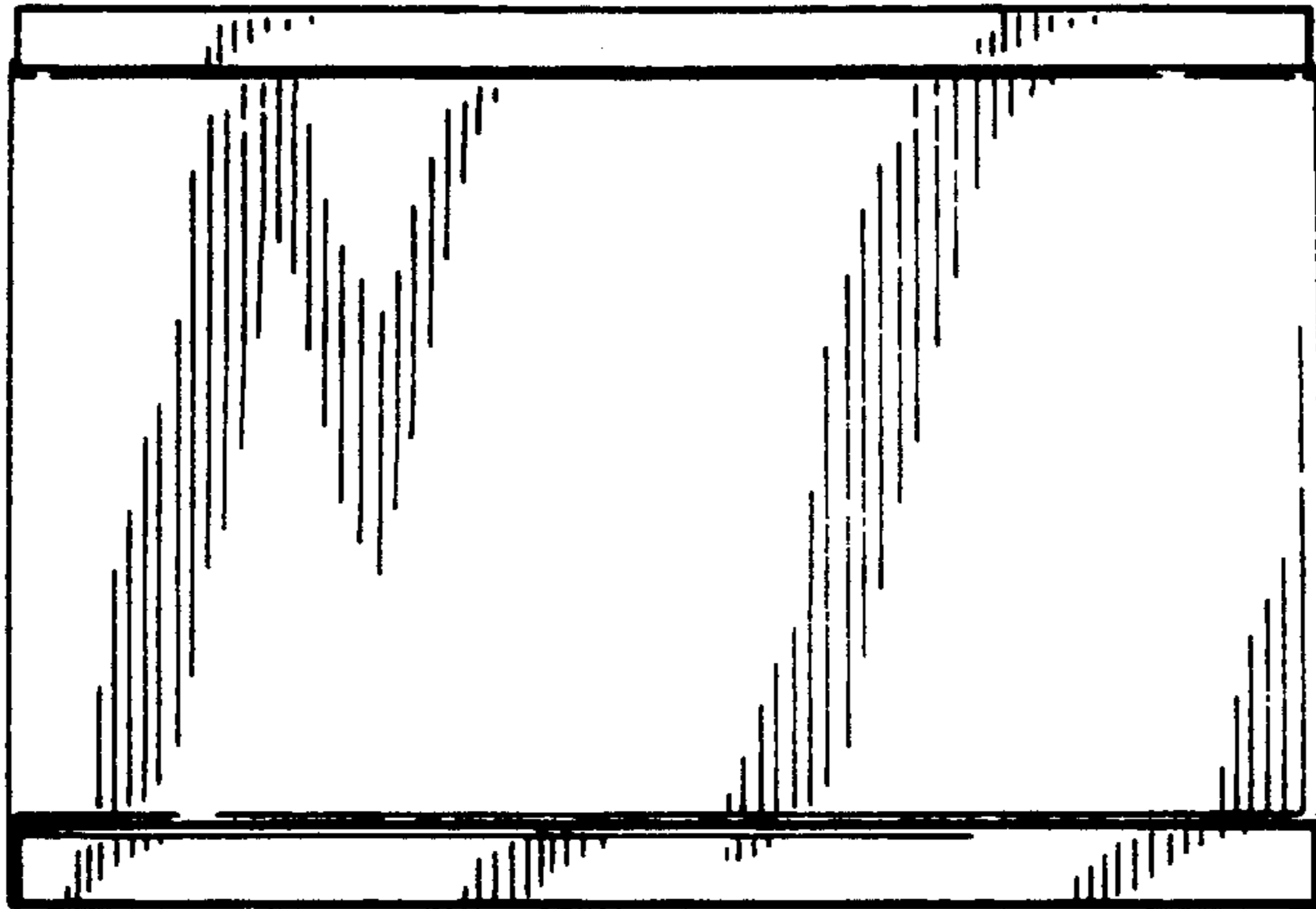


Fig. 7.

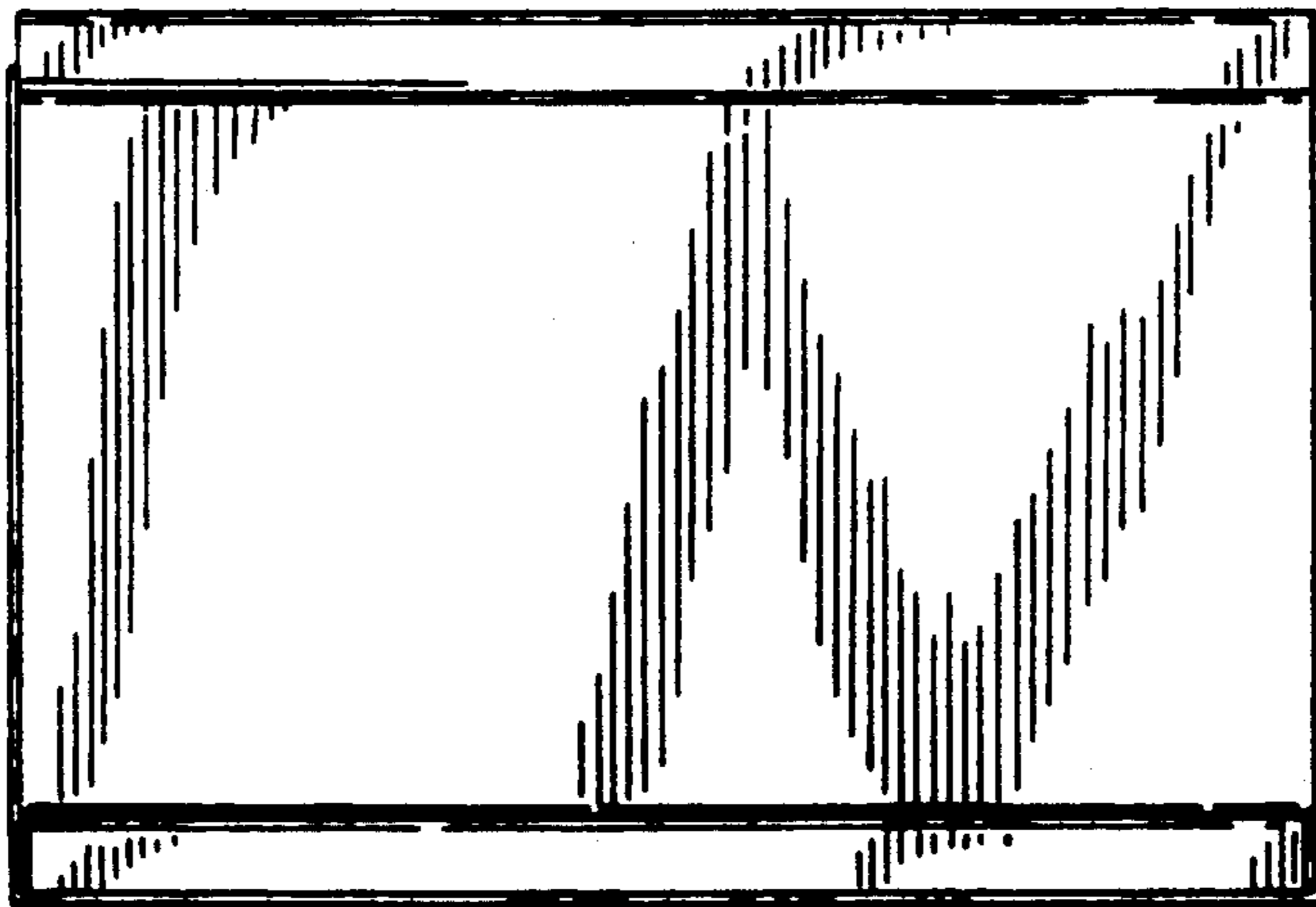


Fig. 8.

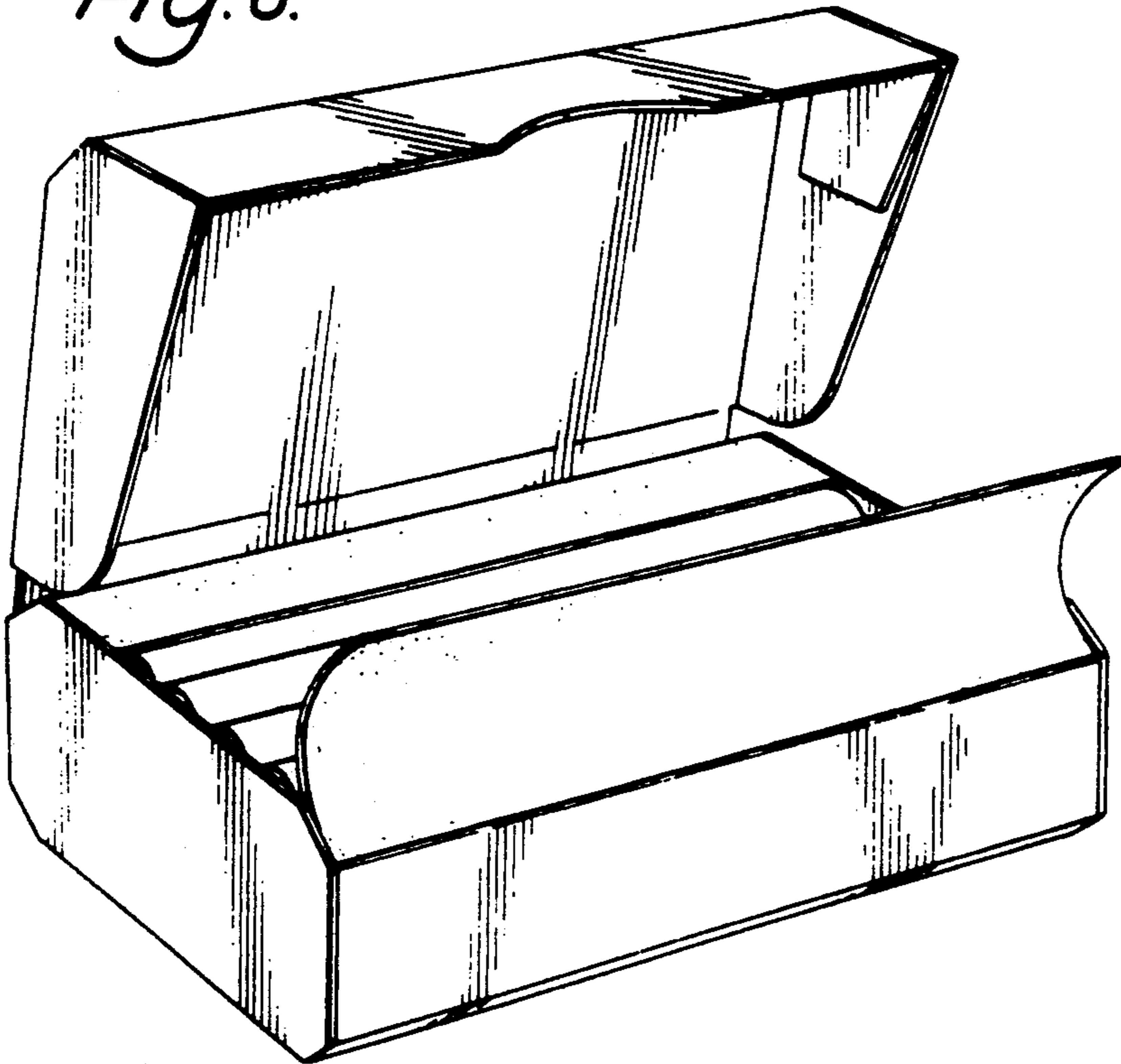


Fig. 9.

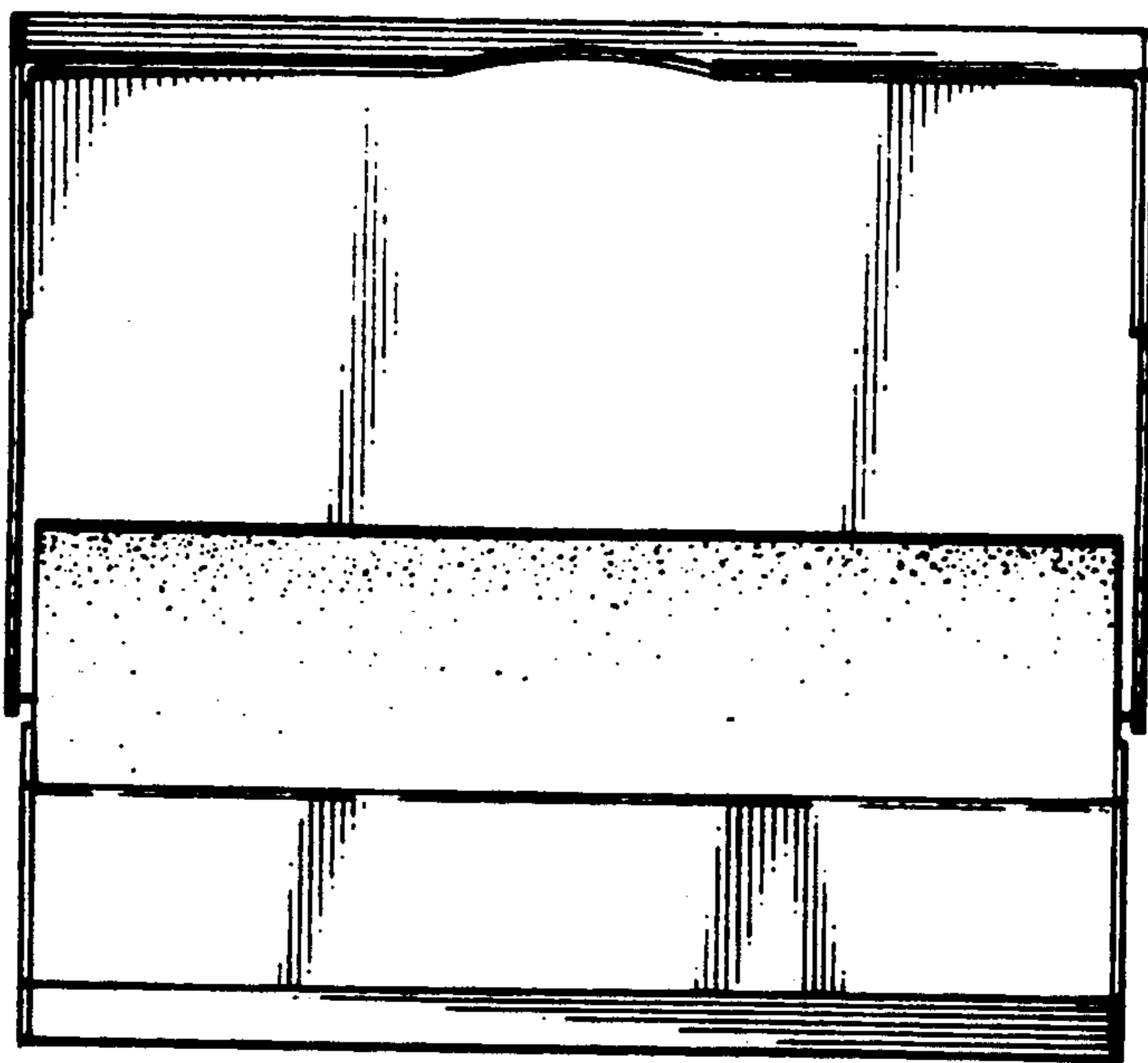


Fig.10.

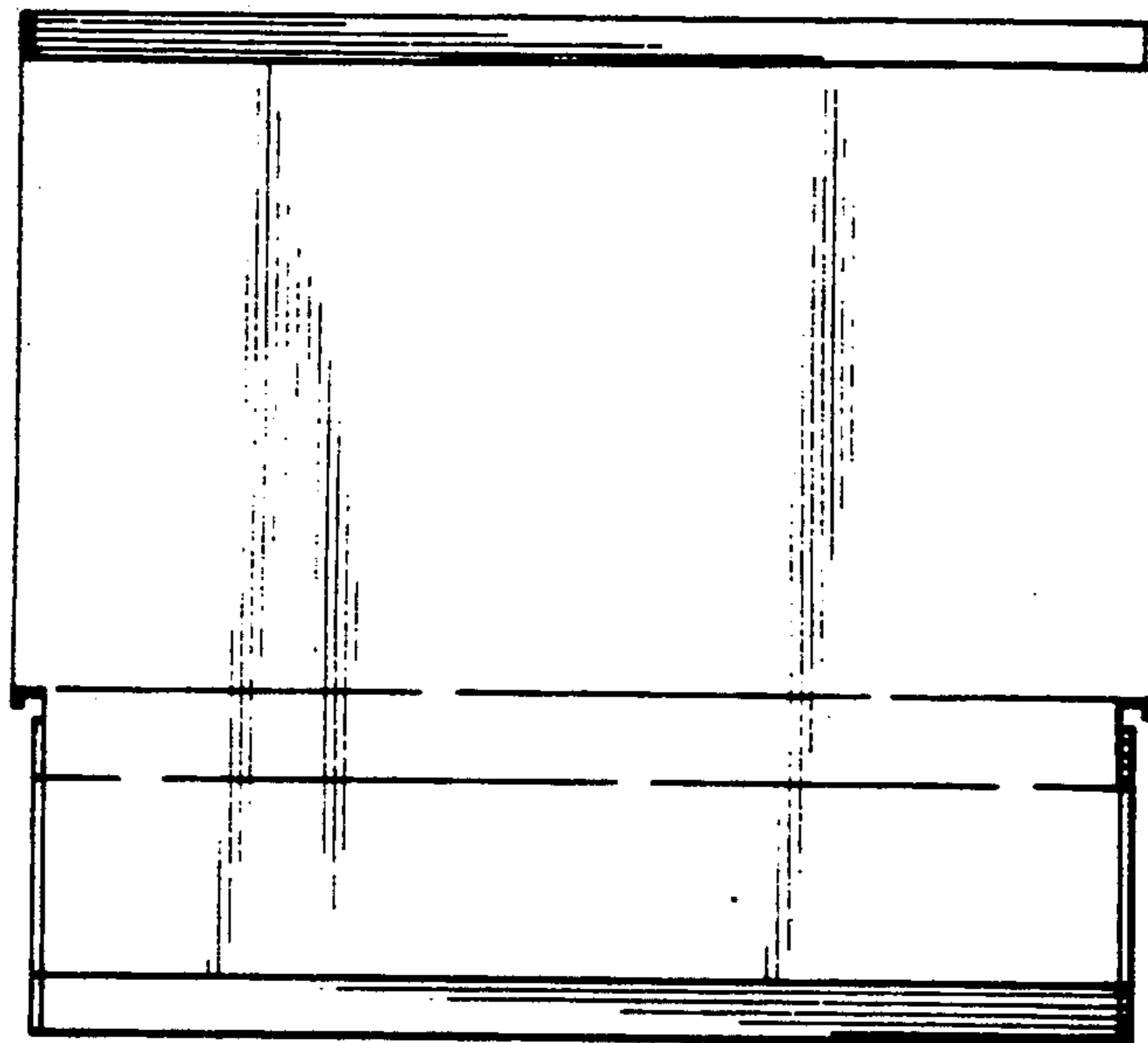


Fig.11.

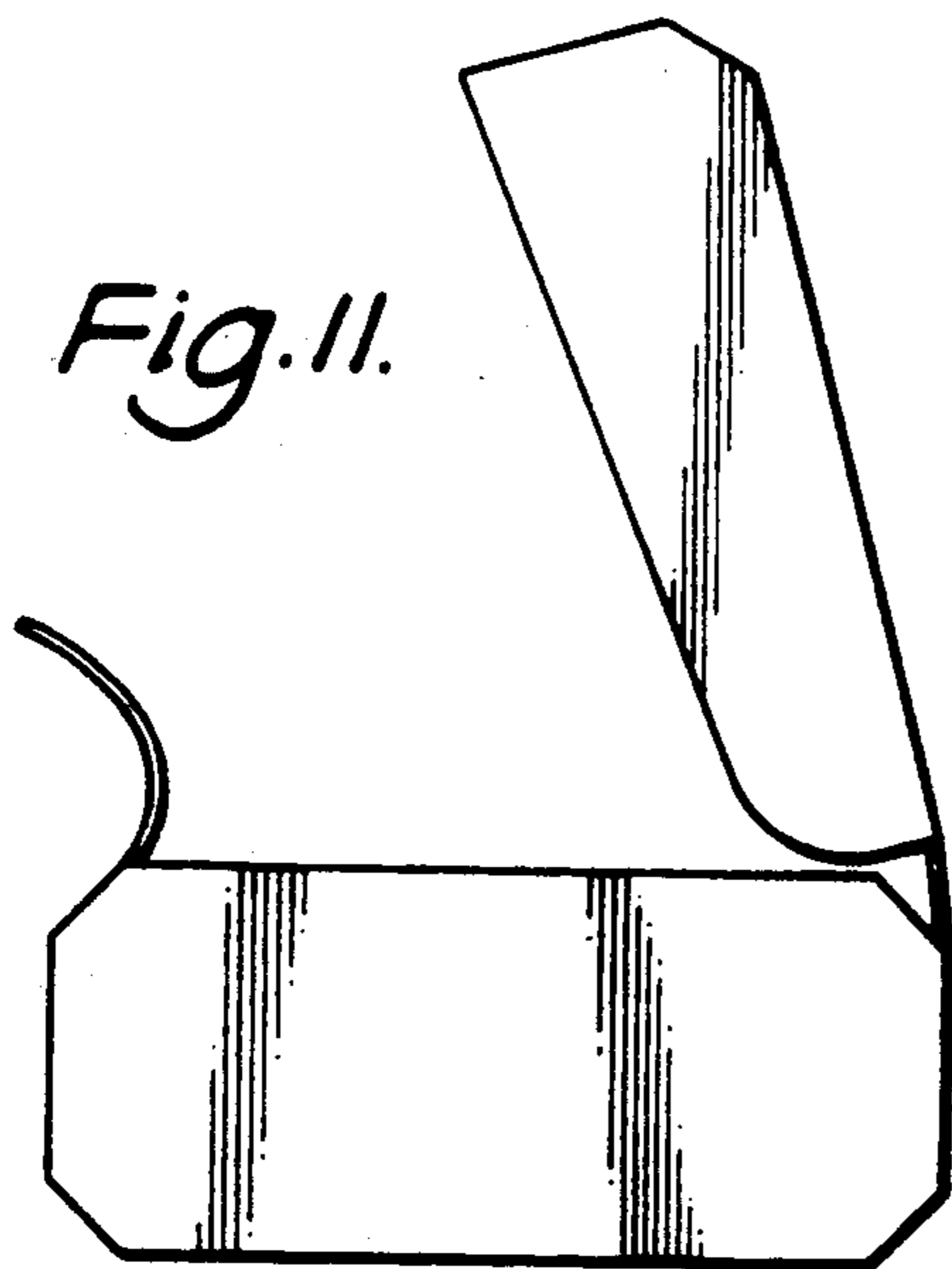


Fig.12.

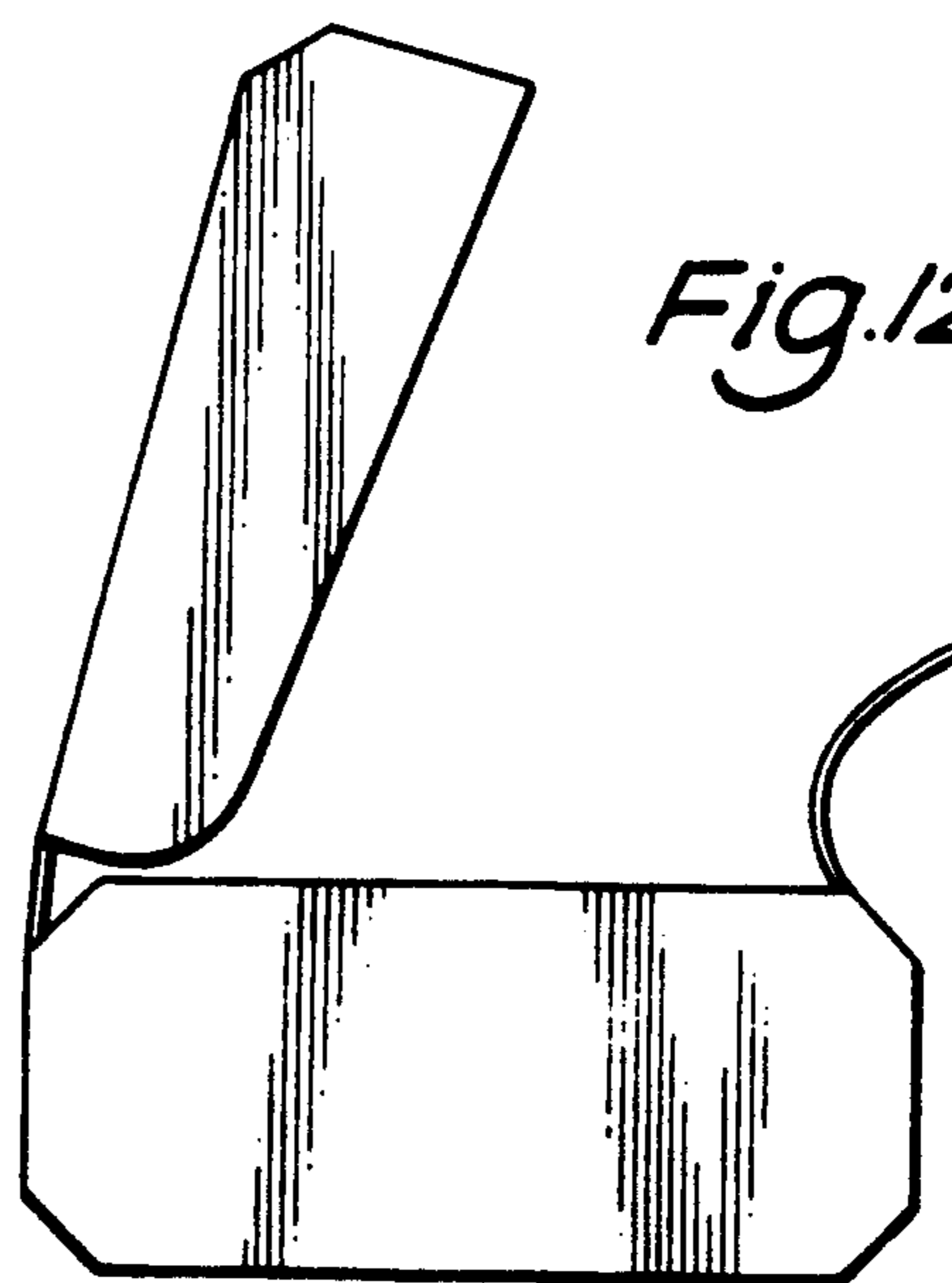


Fig. 13.

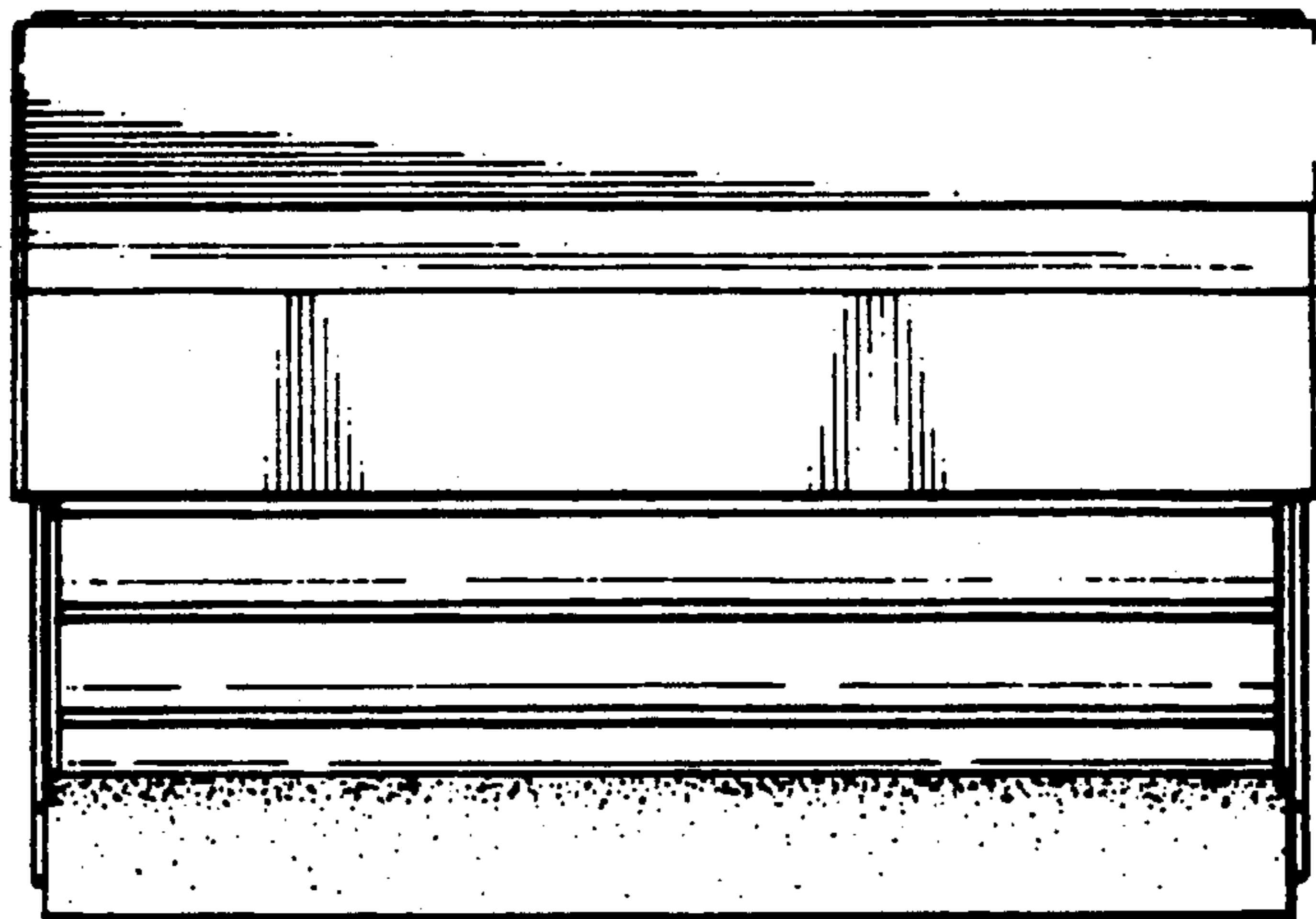


Fig. 14.

