



US00D333527S

**United States Patent** [19]  
**Leung**

[11] **Patent Number: Des. 333,527**  
[45] **Date of Patent: \*\* Feb. 23, 1993**

[54] **RECHARGEABLE FLASHLIGHT**

[75] **Inventor: Chung S. Leung, Tsuen Wan, Hong Kong**

[73] **Assignee: Foster Industries Co., Ltd., Hong Kong, Hong Kong**

[\*\*] **Term: 14 Years**

[21] **Appl. No.: 645,002**

[22] **Filed: Jan. 16, 1991**

[30] **Foreign Application Priority Data**

Jul. 30, 1990 [GB] United Kingdom ..... 2008623  
[52] **U.S. Cl. .... D26/49**  
[58] **Field of Search .... D26/37-50;**  
362/157, 158, 183-191, 194-205

[56] **References Cited**

**U.S. PATENT DOCUMENTS**

D. 314,634 2/1991 Fenne ..... D26/46  
4,658,336 4/1987 Maglica ..... 362/187 X

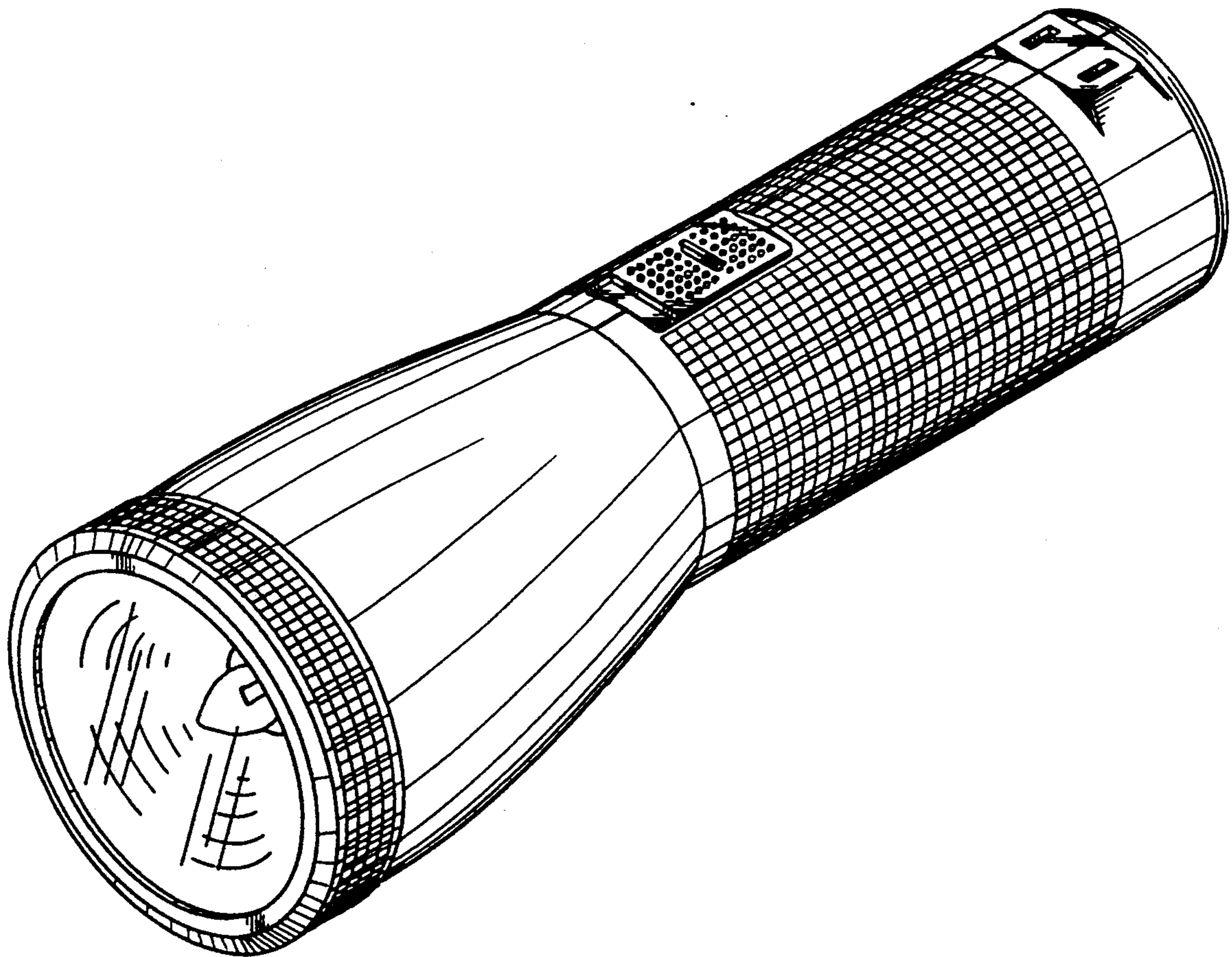
*Primary Examiner*—Susan J. Lucas  
*Attorney, Agent, or Firm*—Wolf, Greenfield & Sacks

[57] **CLAIM**

The ornamental design for a rechargeable flashlight, as shown and described.

**DESCRIPTION**

FIG. 1 is a top, front perspective view of a rechargeable flashlight showing my new design;  
FIG. 2 is a top rear perspective view thereof;  
FIG. 3 is a side elevation view thereof, the opposite side being a mirror image; and,  
FIG. 4 is a bottom plan view thereof.



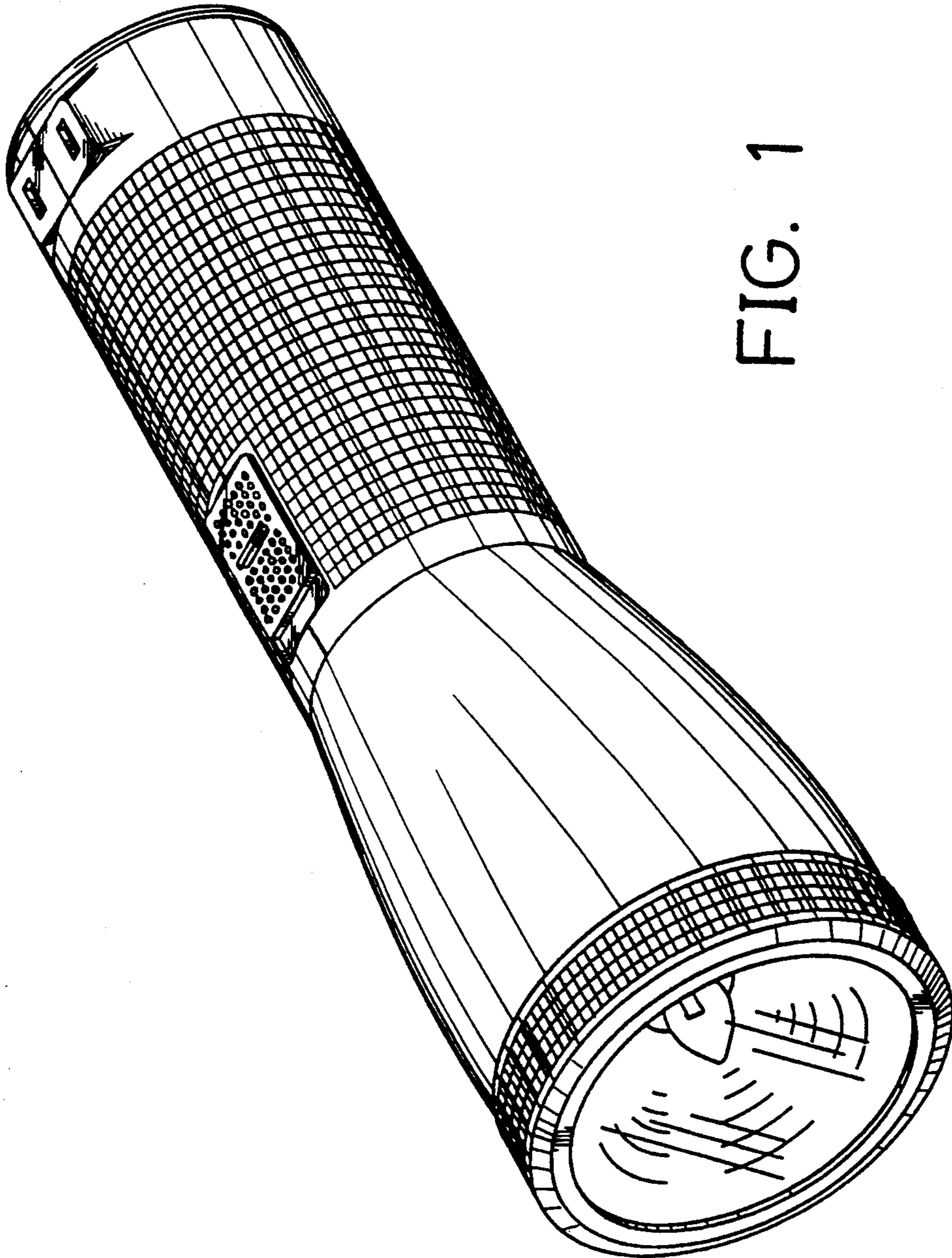


FIG. 1

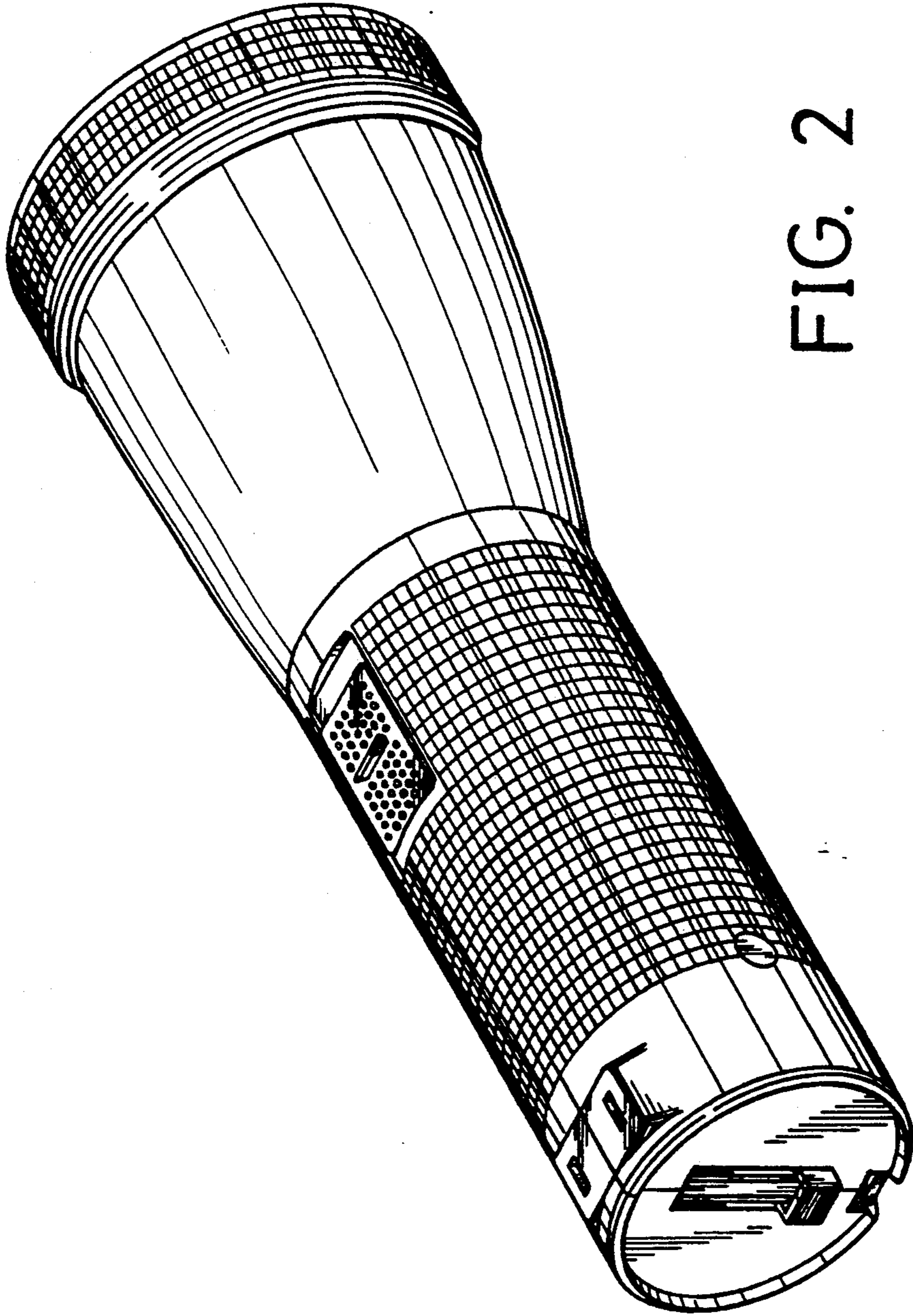


FIG. 2

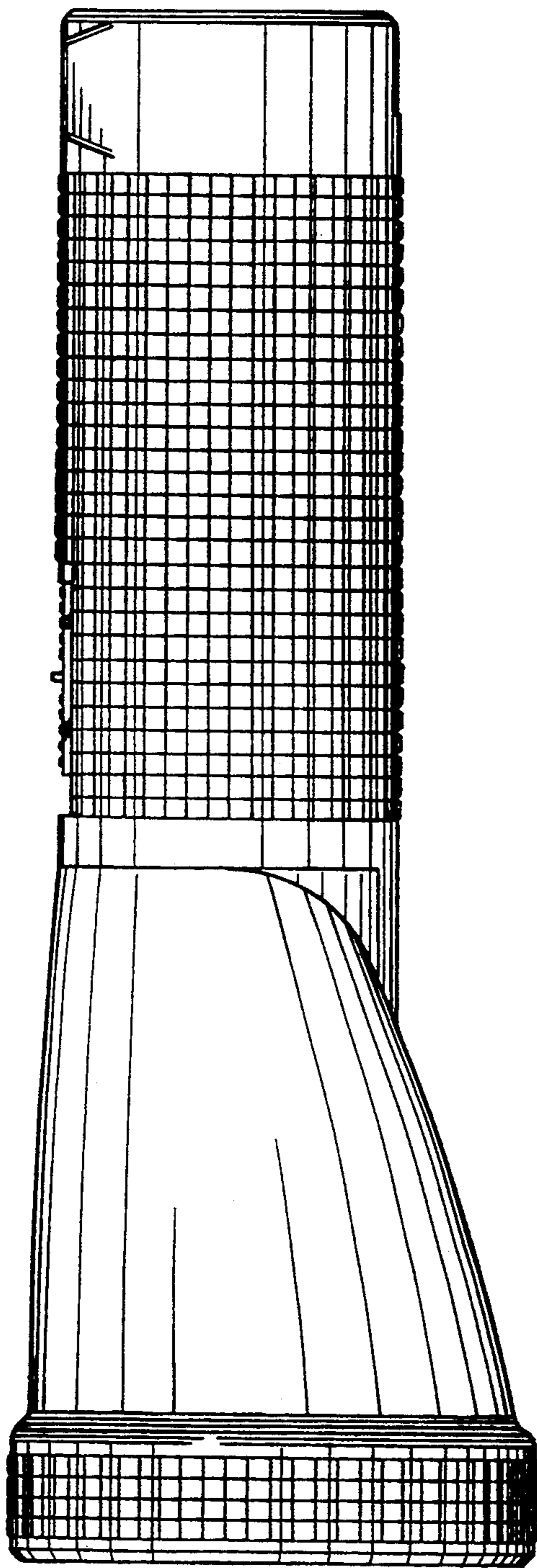


FIG. 3

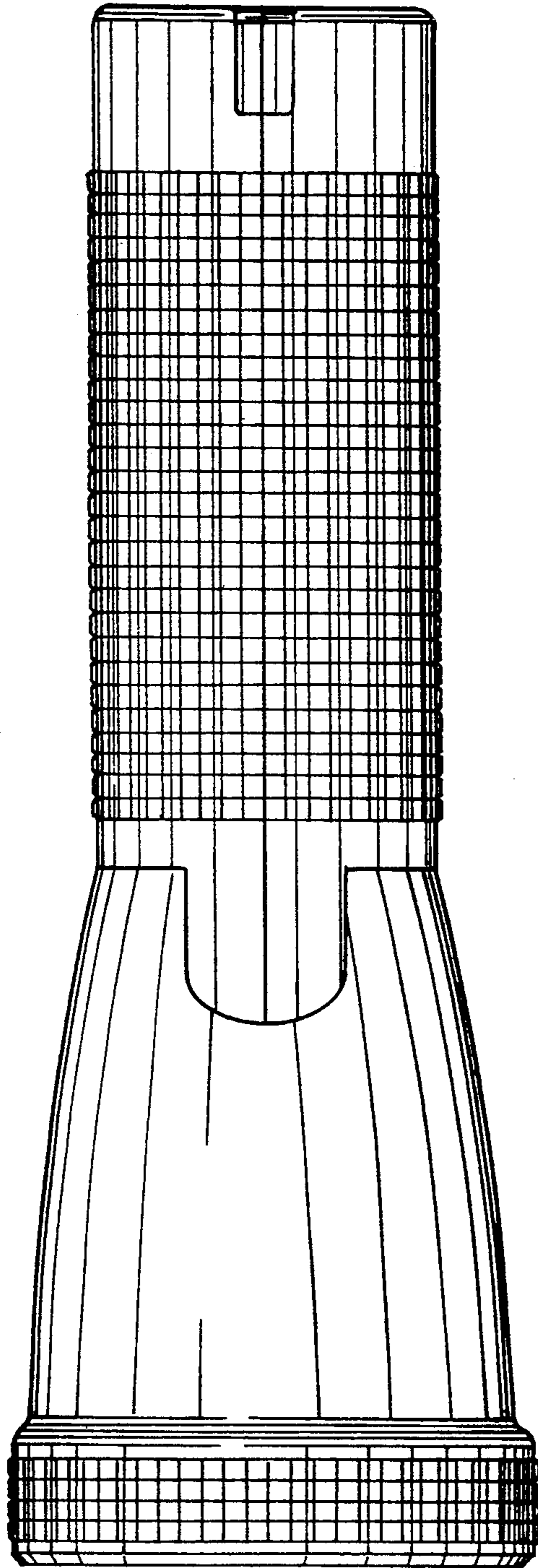


FIG. 4