



US00D333523S

United States Patent [19]

[11] Patent Number: Des. 333,523

Gianino

[45] Date of Patent: ** Feb. 23, 1993

[54] **SAMPLE CUP HOLDER**

[75] Inventor: **F. Thomas Gianino**, Bradford, Mass.

[73] Assignee: **P B Diagnostic Systems, Inc.**,
Westwood, Mass.

1,980,930 11/1934 Reyniers 211/74
 2,741,913 4/1956 Dovas 211/74 X
 3,184,071 5/1965 Delaire 211/74
 4,284,603 8/1981 Korom 211/74 X
 4,407,958 10/1983 DeGraff, Jr. D24/230 X
 4,751,184 4/1988 Higo et al. 435/287
 4,803,050 2/1989 Mack 422/65

[**] Term: **14 Years**

Primary Examiner—Alan P. Douglas
Assistant Examiner—Jeffrey Asch
Attorney, Agent, or Firm—Gaetano D. Maccarone

[21] Appl. No.: **734,811**

[22] Filed: **Jul. 23, 1991**

[52] U.S. Cl. **D24/229; D6/467**

[58] Field of Search **D6/396, 449, 416, 466-469,**
D6/475, 476, 567, 571; D24/229, 227, 230;
D13/119; 211/13, 60.1, 69, 71, 72, 74; 422/61,
65

[57] CLAIM

The ornamental design for a sample cup holder, as shown and described.

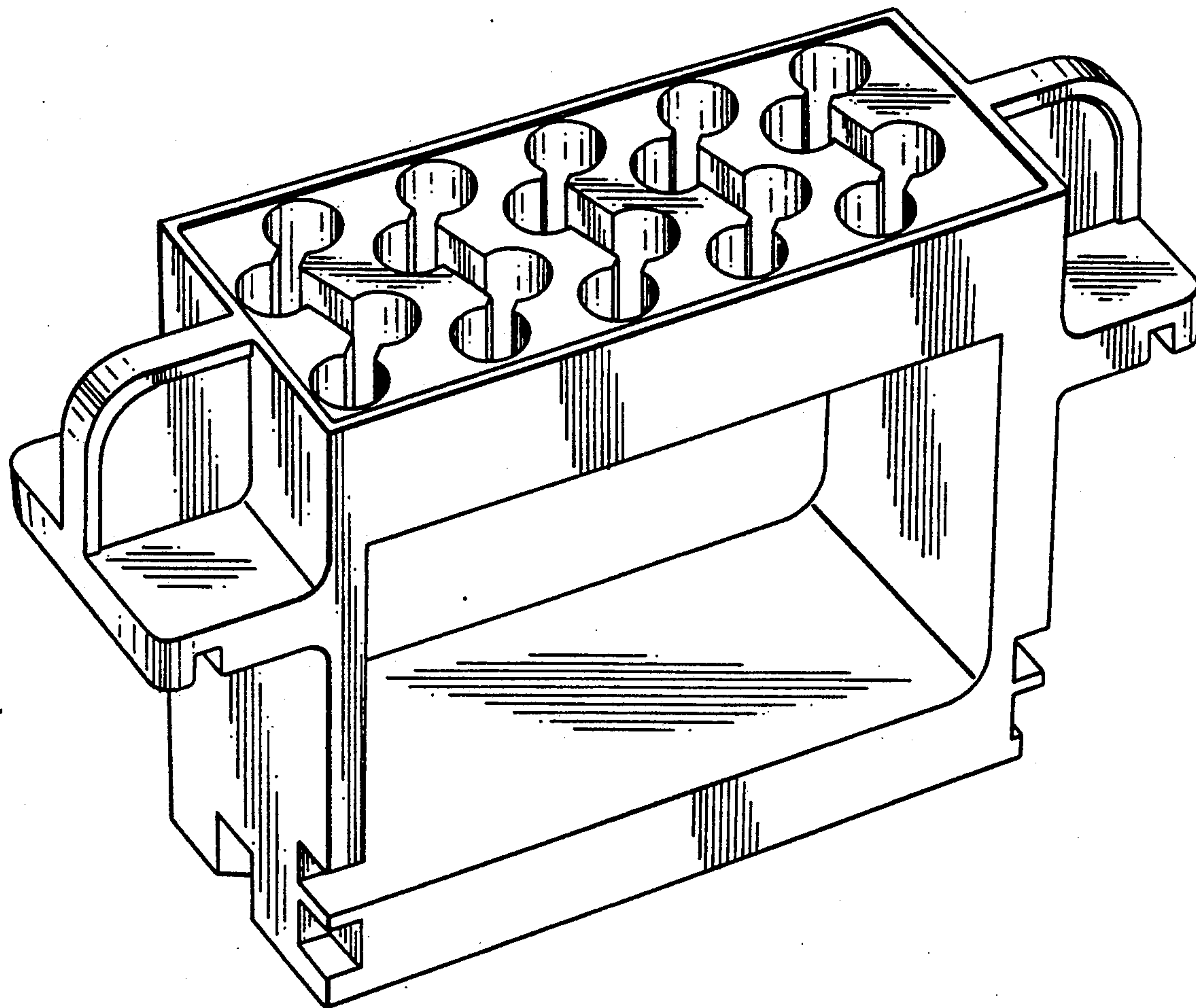
DESCRIPTION

FIG. 1 is a perspective view of a sample cup holder showing my new design;
 FIG. 2 is a top plan view thereof;
 FIG. 3 is a right side elevational view thereof;
 FIG. 4 is a left side elevational view thereof;
 FIG. 5 is a bottom plan view thereof;
 FIG. 6 is a left end elevational view thereof; and,
 FIG. 7 is a right side elevation view thereof.

[56] References Cited

U.S. PATENT DOCUMENTS

D. 44,078	5/1913	Treadway	D6/468
D. 162,207	2/1951	Mettenleiter	D6/467
D. 208,469	9/1967	Parker	D6/468
D. 242,103	11/1976	Schultz	D6/468
D. 271,903	12/1983	Kaufman	D24/229



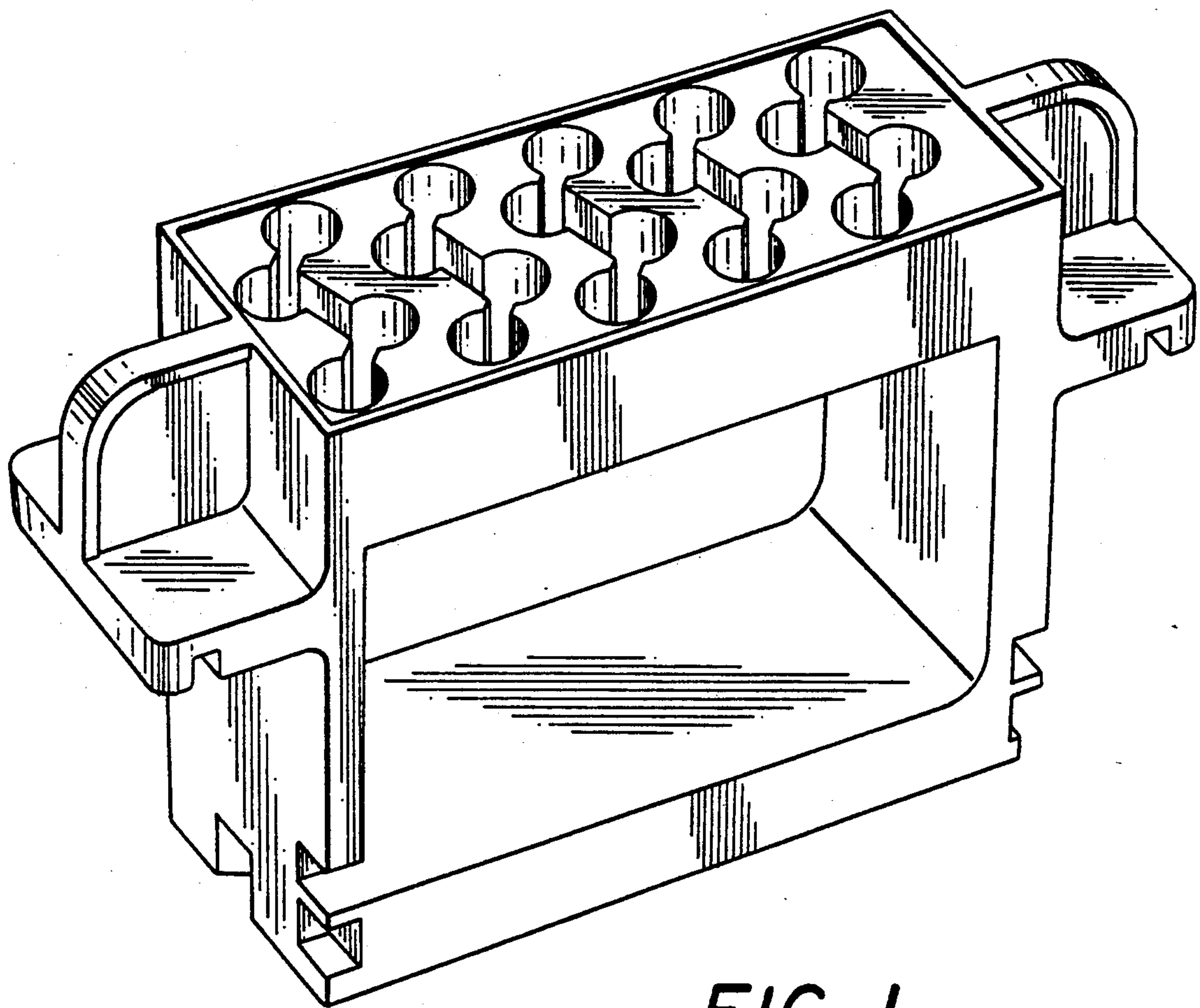


FIG. 1

FIG. 2

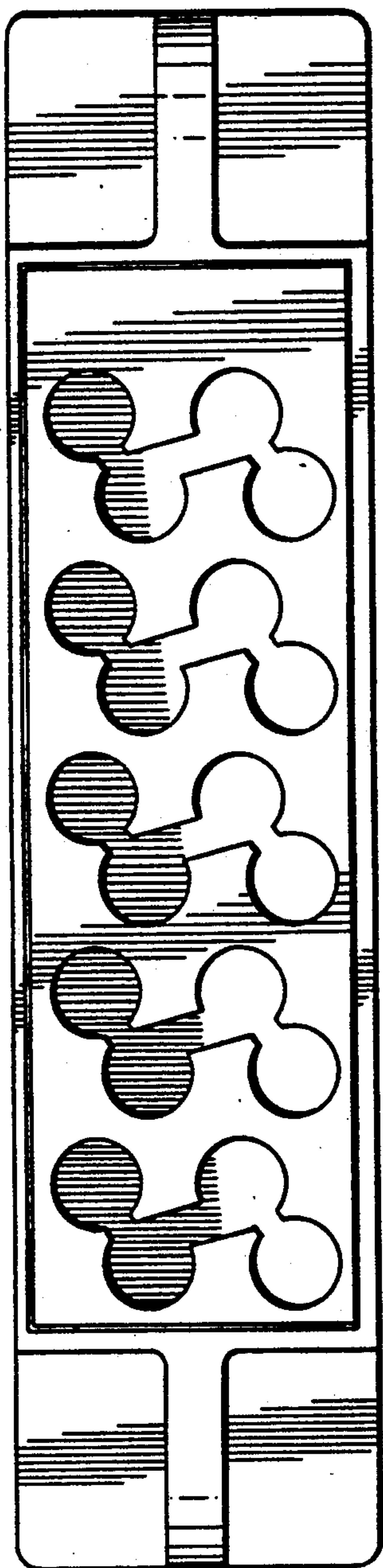
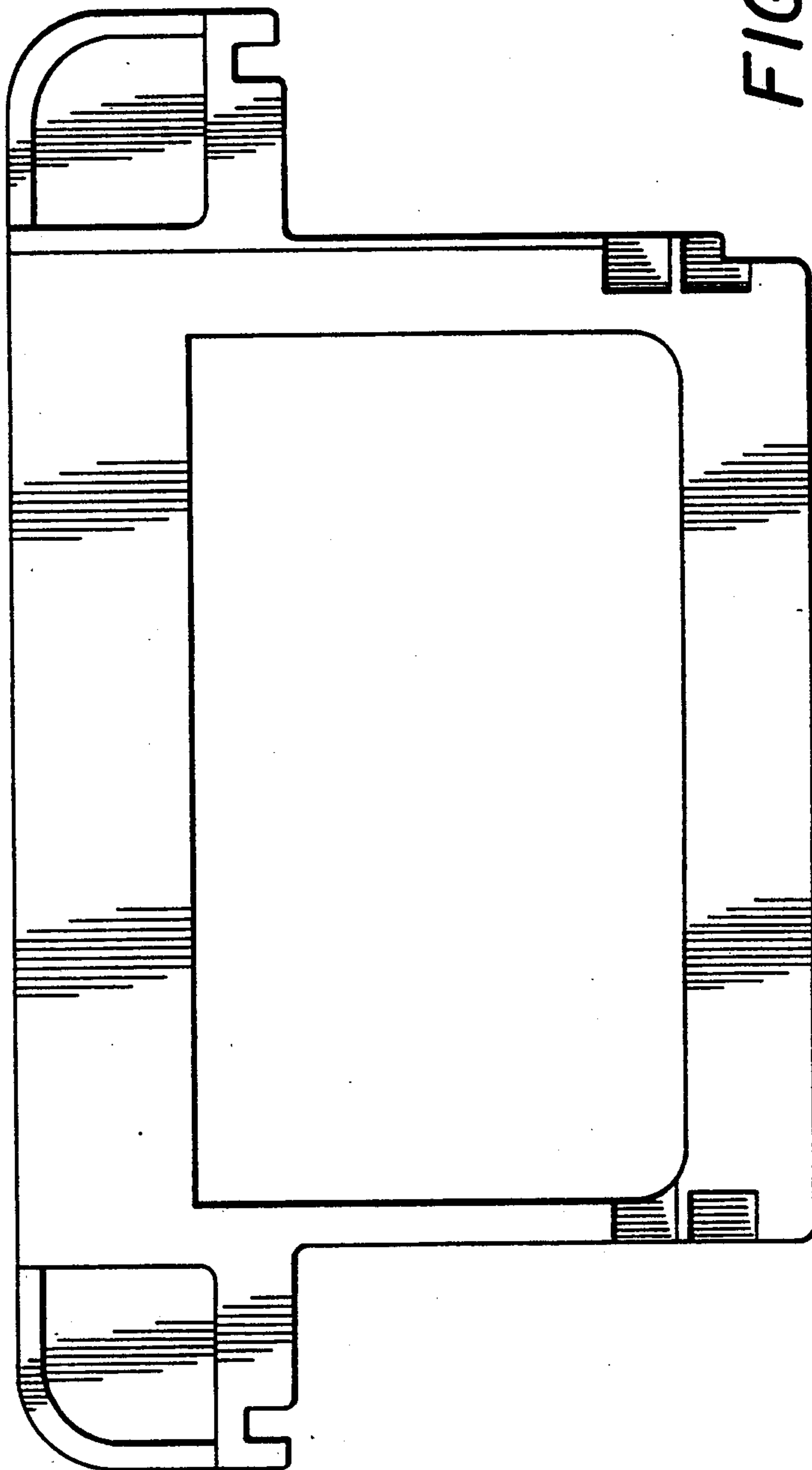


FIG. 3



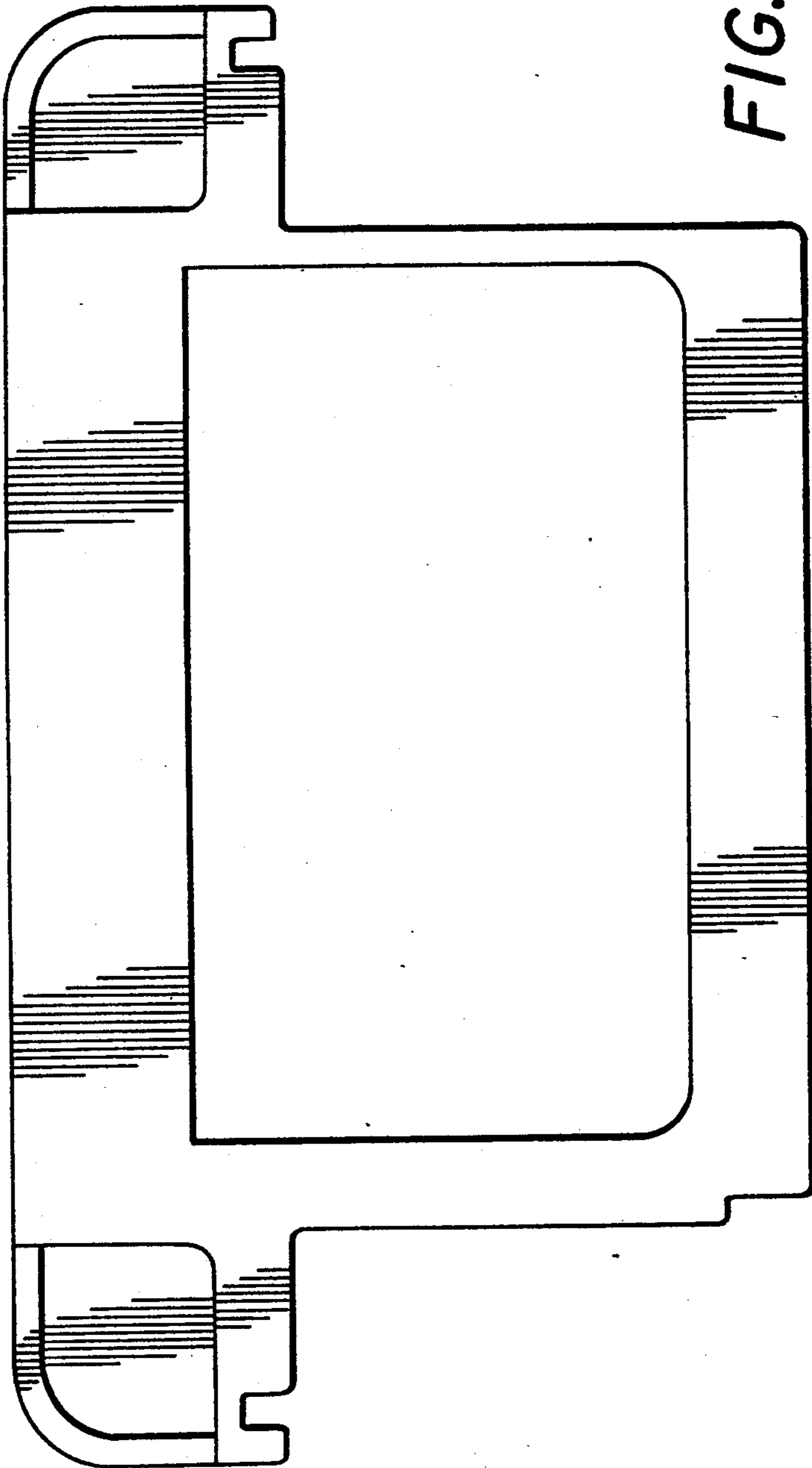


FIG. 4

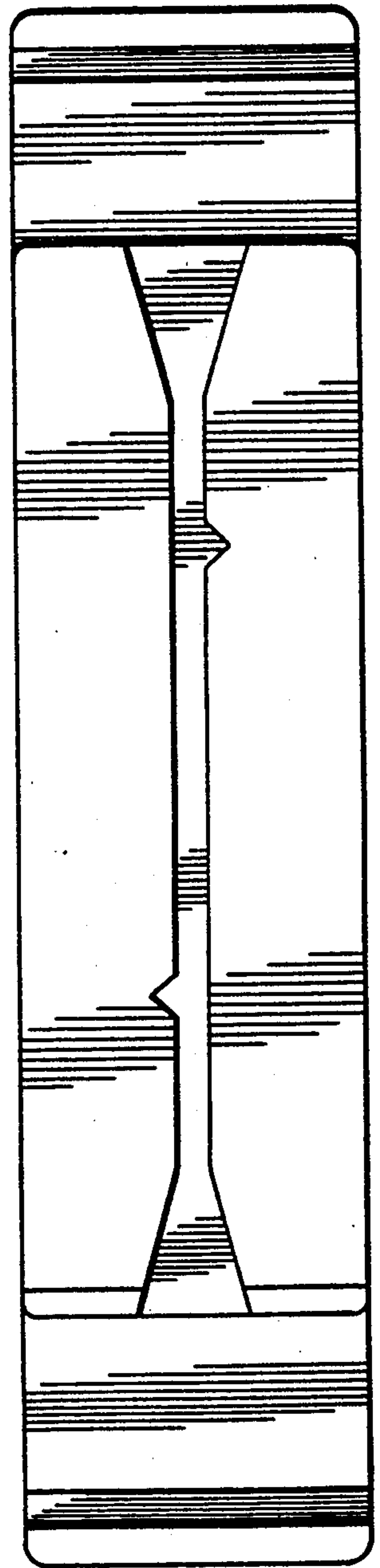


FIG. 5

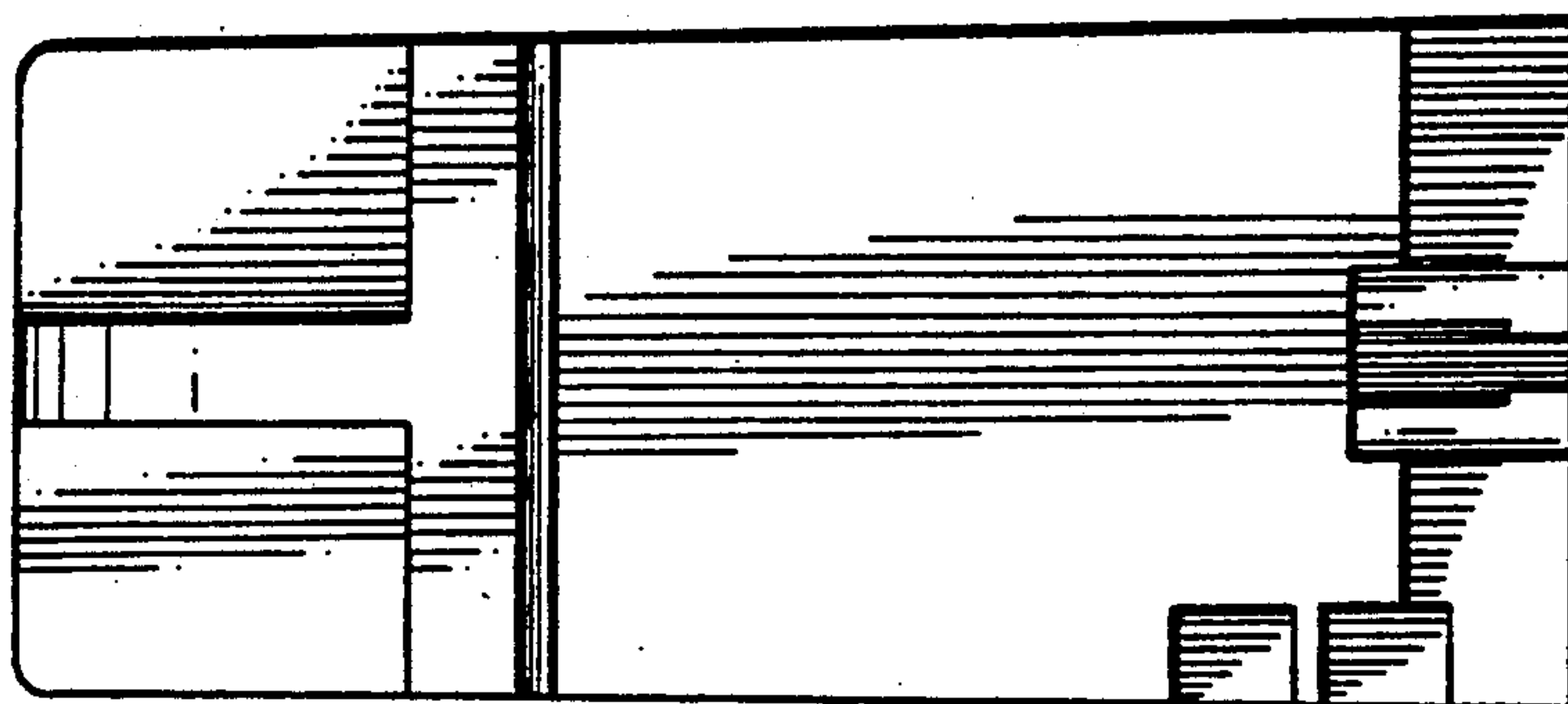


FIG. 7

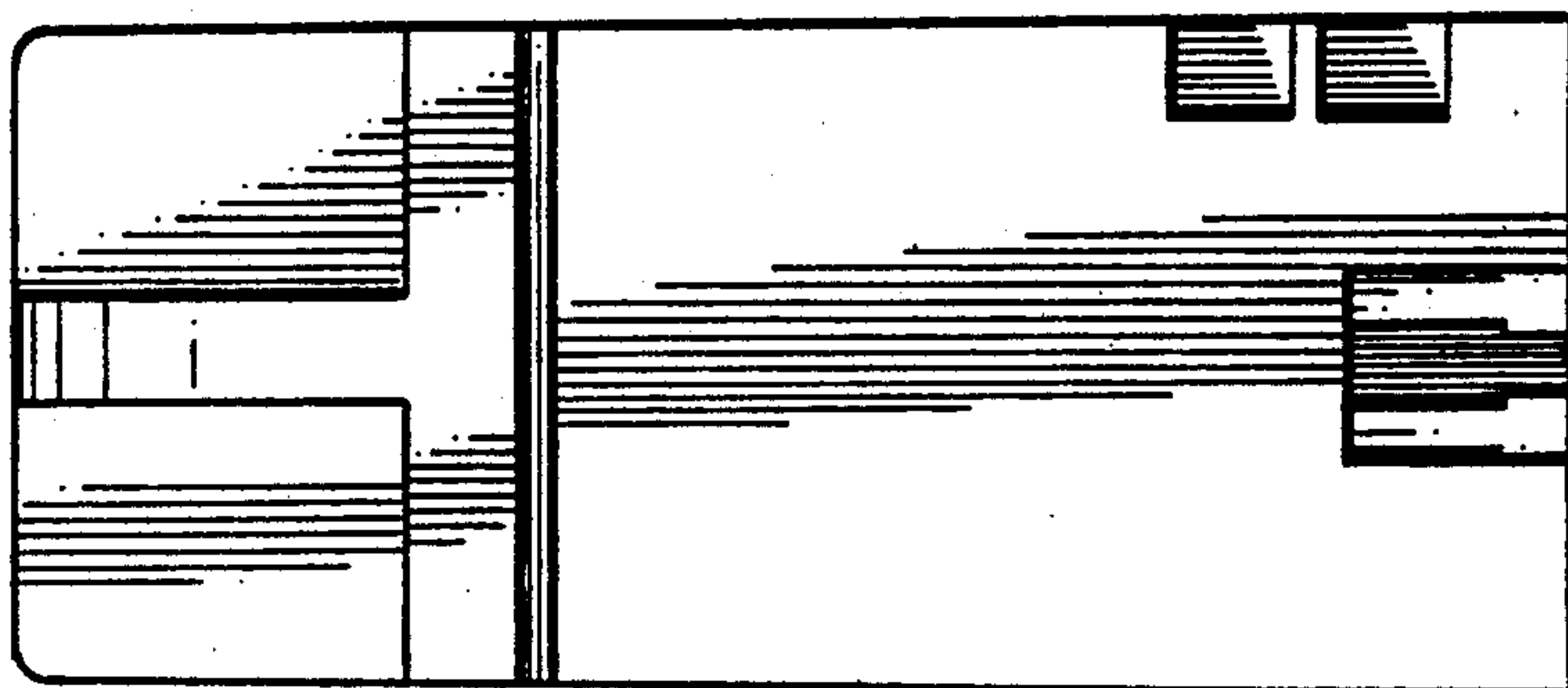


FIG. 6