



US00D333522S

# United States Patent [19]

[11] Patent Number: Des. 333,522

Gianino

[45] Date of Patent: \*\* Feb. 23, 1993

[54] **SAMPLE TUBE HOLDER**

[75] Inventor: F. Thomas Gianino, Bradford, Mass.

[73] Assignee: P B Diagnostic Systems, Inc.,  
Westwood, Mass.

[\*\*] Term: 14 Years

[21] Appl. No.: 734,806

[22] Filed: Jul. 23, 1991

[52] U.S. Cl. .... D24/229; D6/467

[58] Field of Search ..... D6/449, 396, 416, 466-469,  
D6/475, 476, 567, 571; D24/229, 227, 230;  
D13/119; 211/74, 13, 60.1, 69, 71, 72; 422/61,  
65

1,980,930	11/1934	Reyniers .....	211/4
2,741,913	4/1956	Dovas .....	211/74
3,184,071	5/1965	Delaire .....	211/74
4,284,603	8/1981	Korom .....	211/74 X
4,407,958	10/1983	Degraff, Jr. ....	D24/230 X
4,803,050	2/1989	Mack .....	422/65

*Primary Examiner*—Alan P. Douglas  
*Assistant Examiner*—Jeffrey Asch  
*Attorney, Agent, or Firm*—Gaetano D. Maccarone

[57] **CLAIM**

The ornamental design for a sample tube holder, as shown and described.

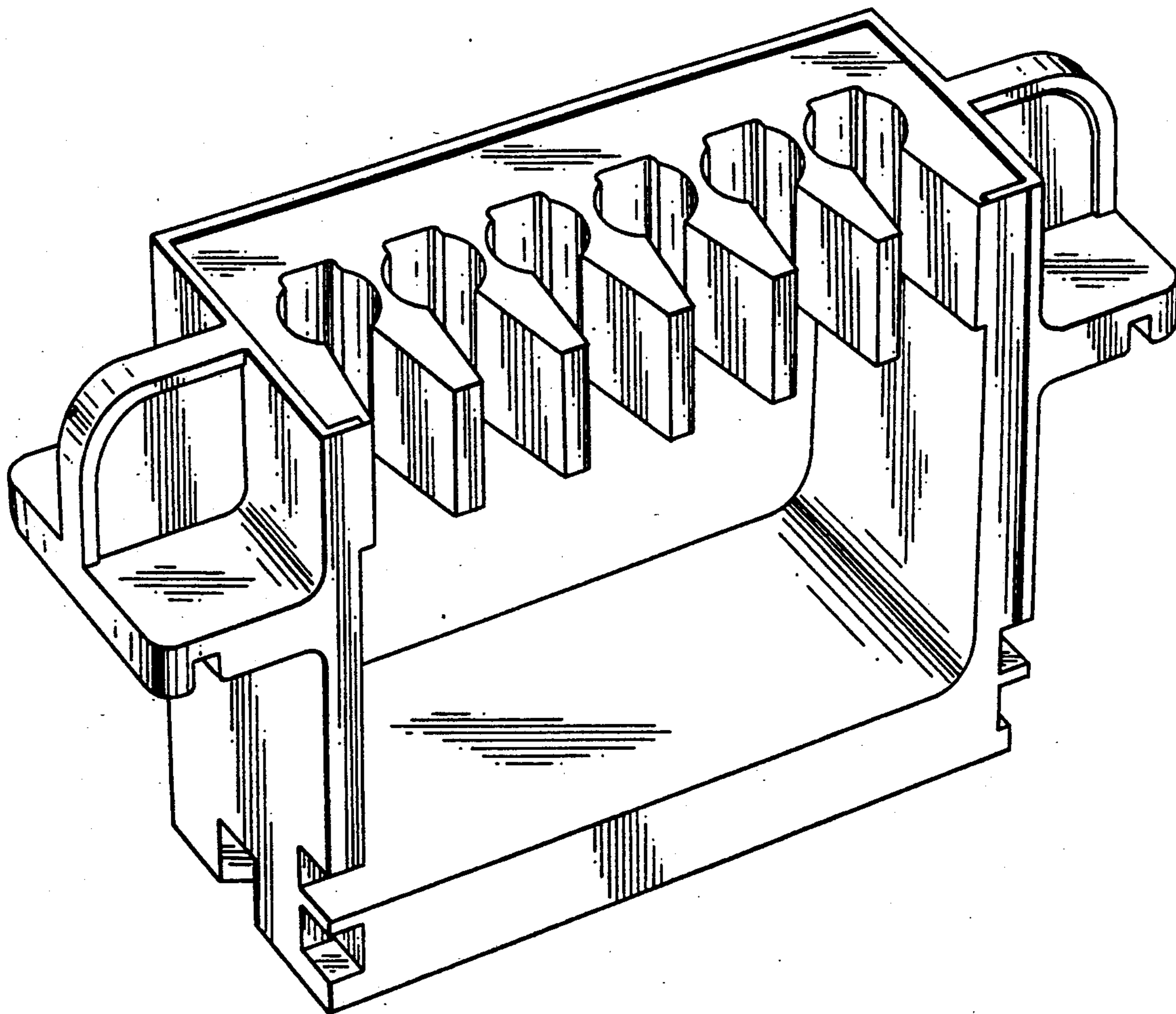
**DESCRIPTION**

FIG. 1 is a perspective view of a sample tube holder showing my new design;  
FIG. 2 is a top plan view thereof;  
FIG. 3 is a right side elevational view thereof;  
FIG. 4 is a left side elevational view thereof;  
FIG. 5 is a bottom plan view thereof;  
FIG. 6 is a left end elevational view thereof; and,  
FIG. 7 is a right end elevation view thereof.

[56] **References Cited**

**U.S. PATENT DOCUMENTS**

D. 44,078	5/1913	Treadway .....	D6/468
D. 162,207	2/1951	Mettenleiter .....	D6/467
D. 208,469	9/1967	Parker .....	D6/468
D. 242,103	11/1976	Schultz .....	D6/468
D. 271,903	12/1983	Kaufman .....	D24/229



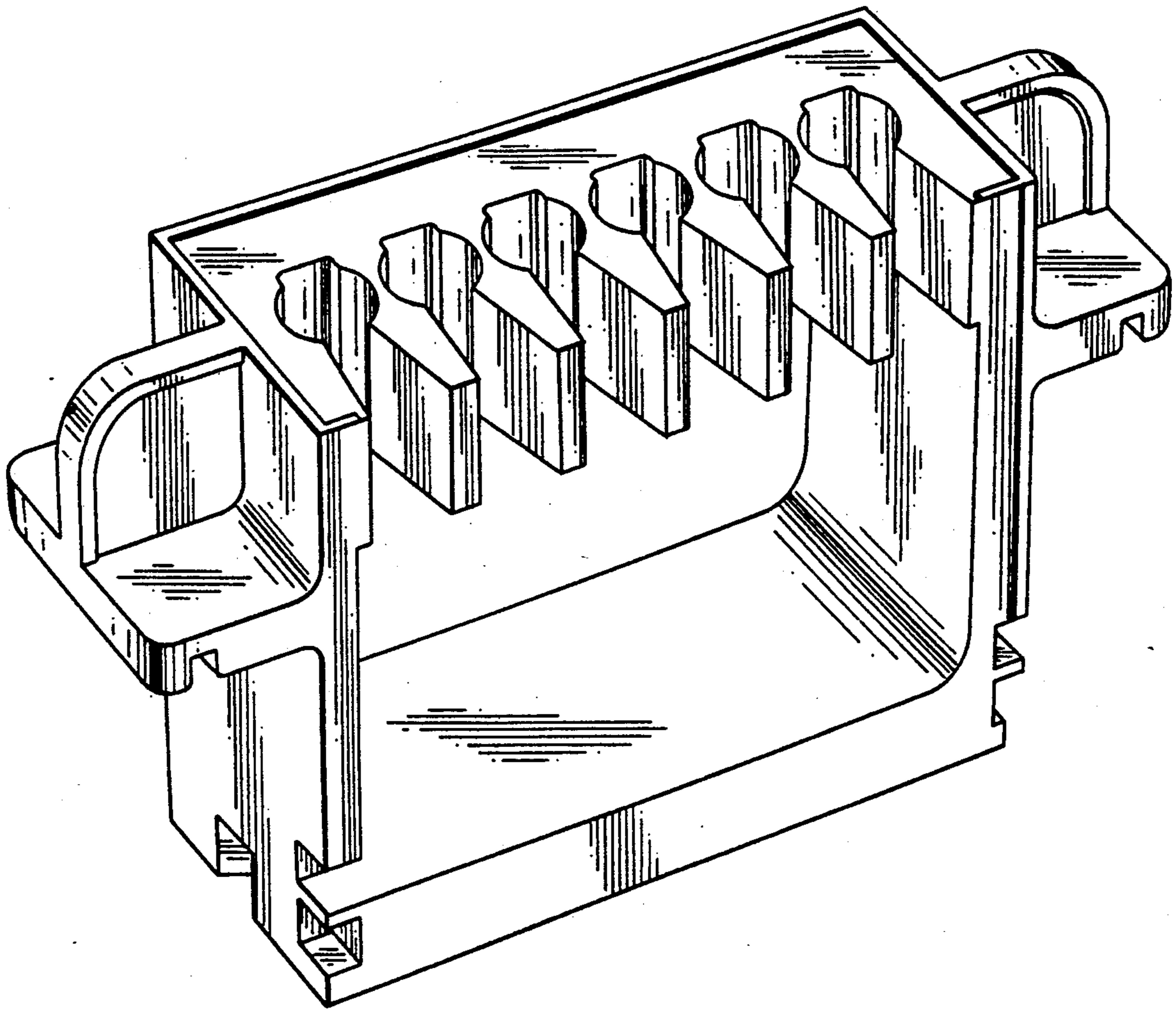


FIG. 1

FIG. 2

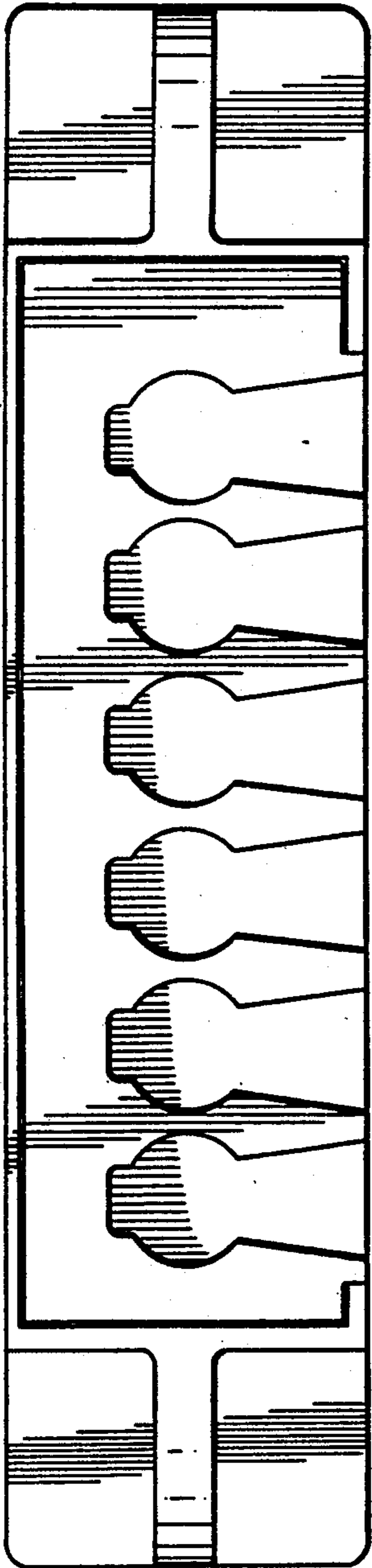
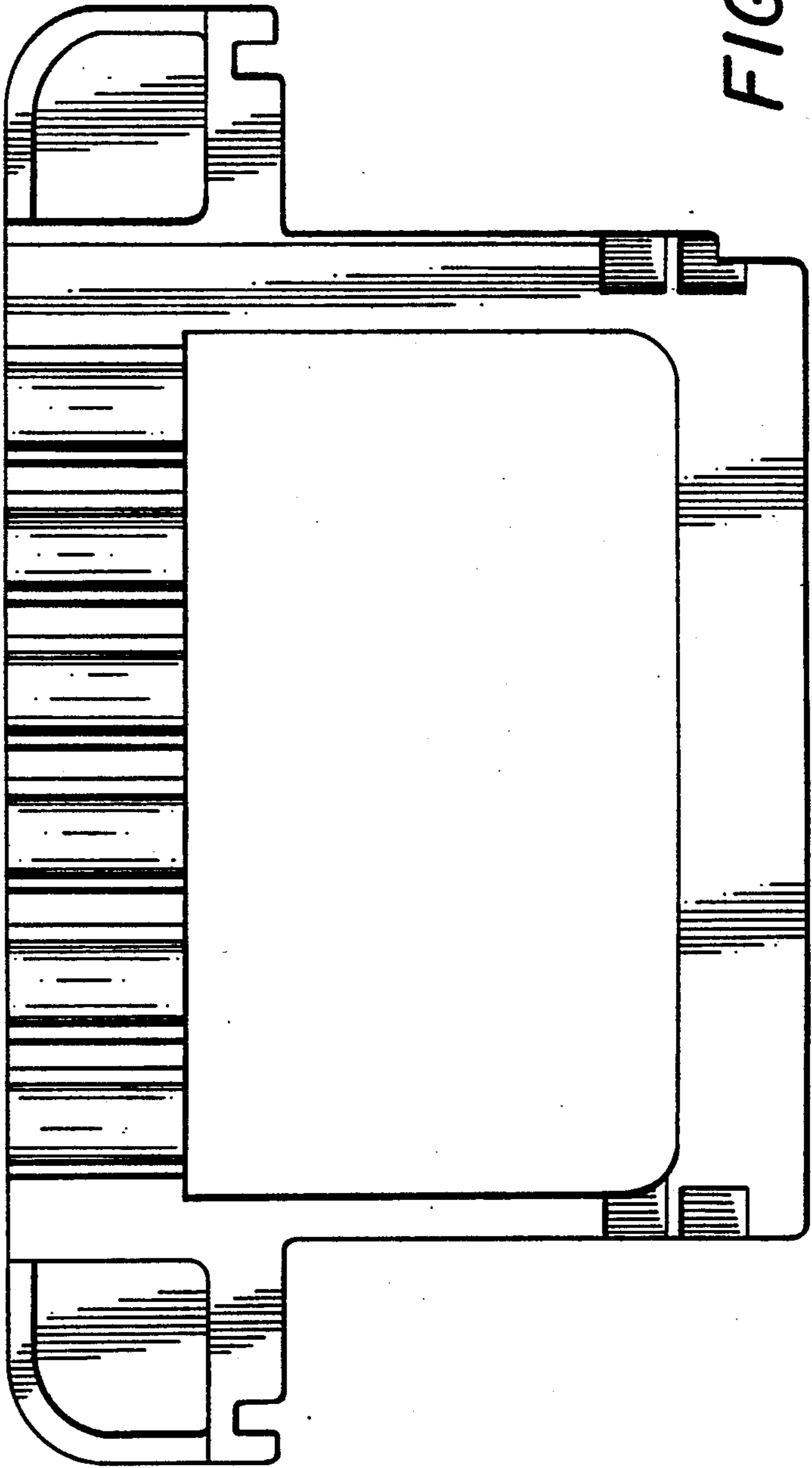


FIG. 3



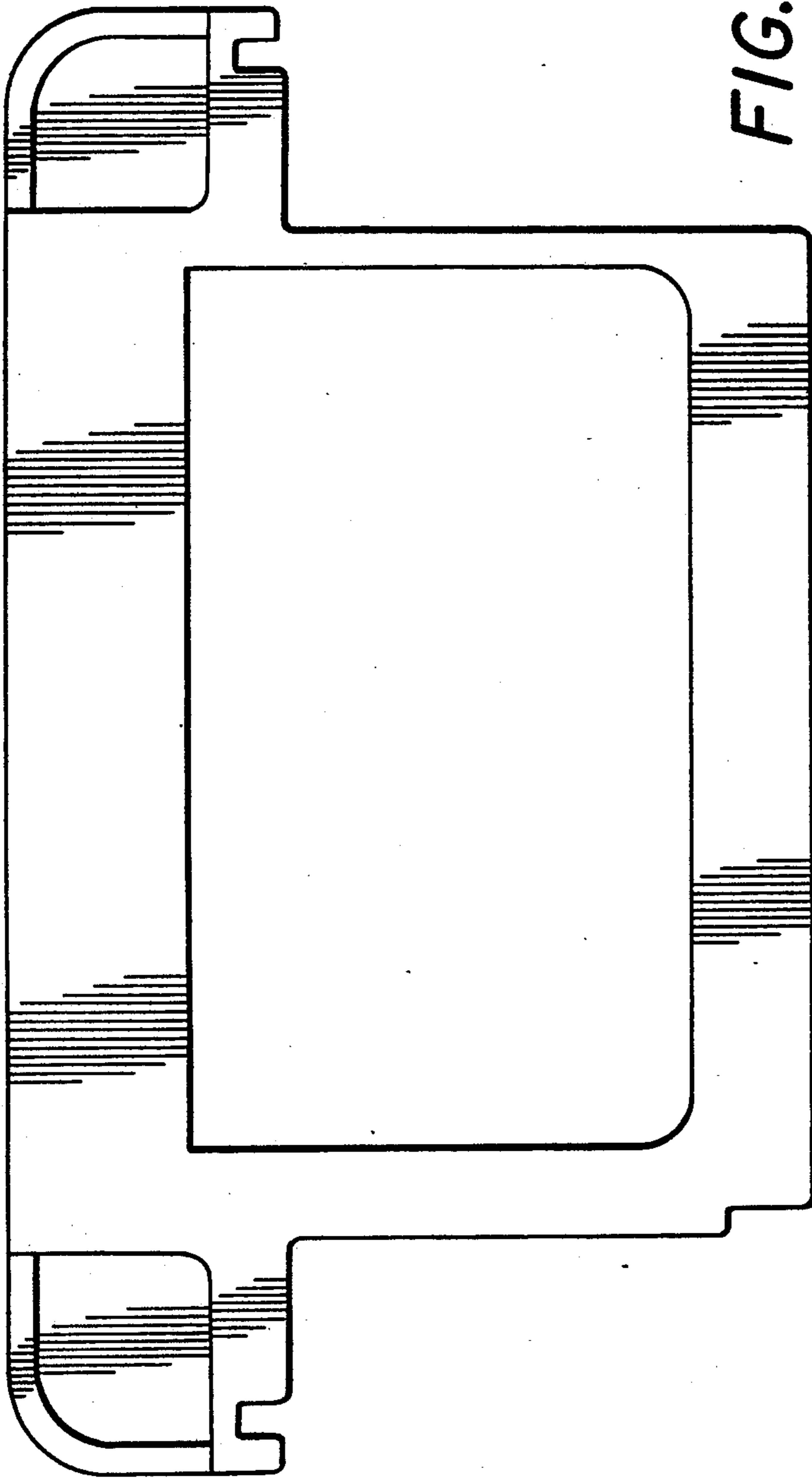


FIG. 4

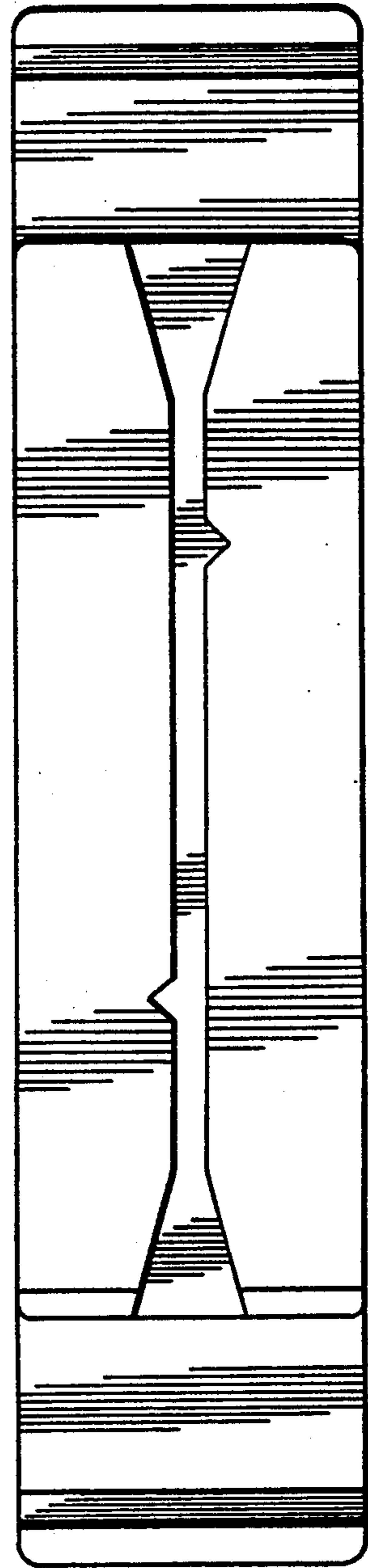


FIG. 5

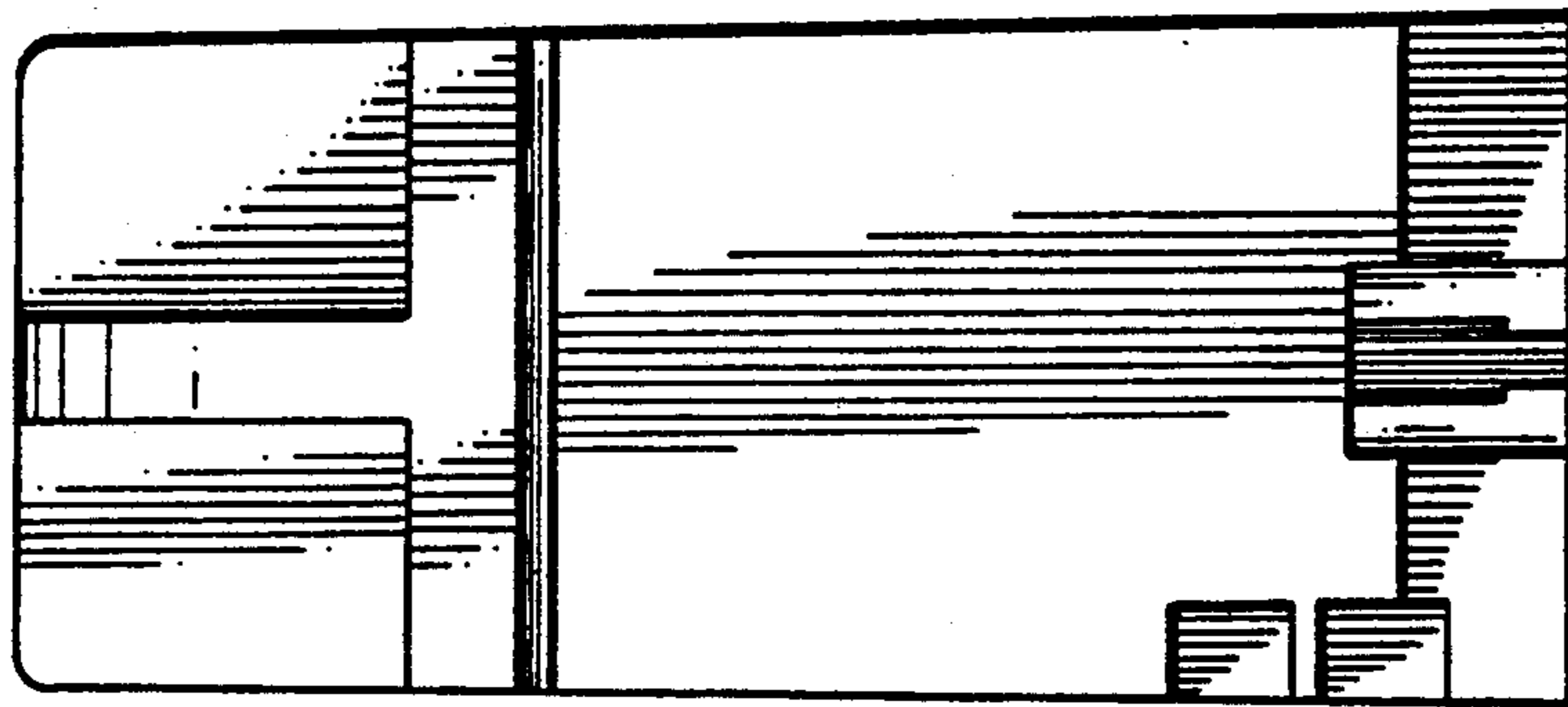


FIG. 7

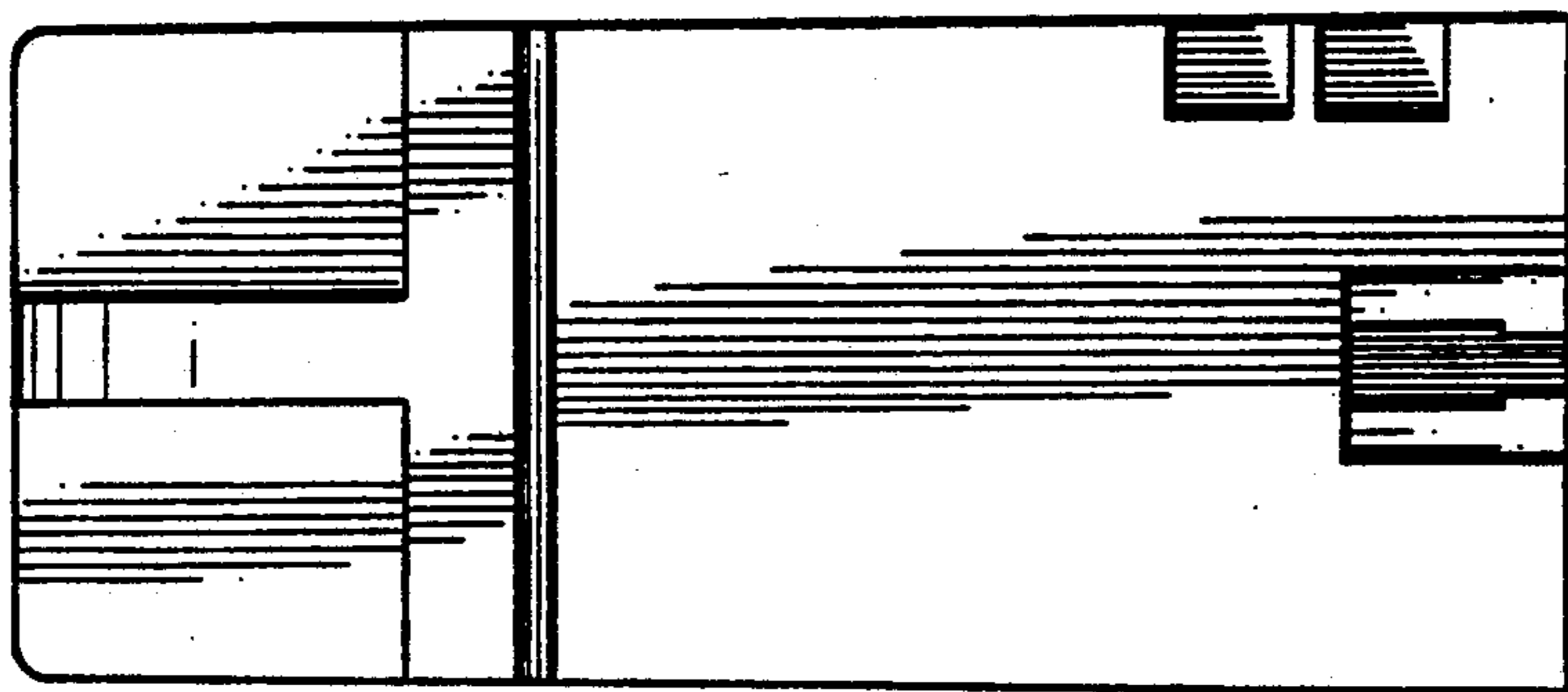


FIG. 6