



US00D333519S

# United States Patent [19]

Scheer

[11] Patent Number: **Des. 333,519**

[45] Date of Patent: **\*\* Feb. 23, 1993**

[54] **MANOMETER FOR MEASURING INTRATHORACIC PRESSURE OF AN INFANT**

[76] Inventor: **Todd Scheer, 6732 Woodlake, Apt. #324, Orlando, Fla. 32810**

[\*\*] Term: **14 Years**

[21] Appl. No.: **624,675**

[22] Filed: **Dec. 10, 1990**

[52] U.S. Cl. .... **D24/186**

[58] Field of Search ..... **D24/186; 128/748, 675, 128/672, 674, 734; 73/700, 708**

[56] **References Cited**

**U.S. PATENT DOCUMENTS**

4,312,361	1/1982	Nicholson et al. ....	128/748
4,335,729	6/1982	Reynolds et al. ....	128/748
4,398,542	8/1983	Cunningham et al. ....	128/748 X
4,784,151	11/1988	Frank .	
4,790,193	12/1988	Moriuchi .....	128/748
4,793,362	12/1988	Tedner .	
4,809,710	3/1989	Williamson .	

4,966,161 10/1990 Wallace et al. .... 128/748

**FOREIGN PATENT DOCUMENTS**

976919 7/1948 France .  
7707275 4/1979 Netherlands .

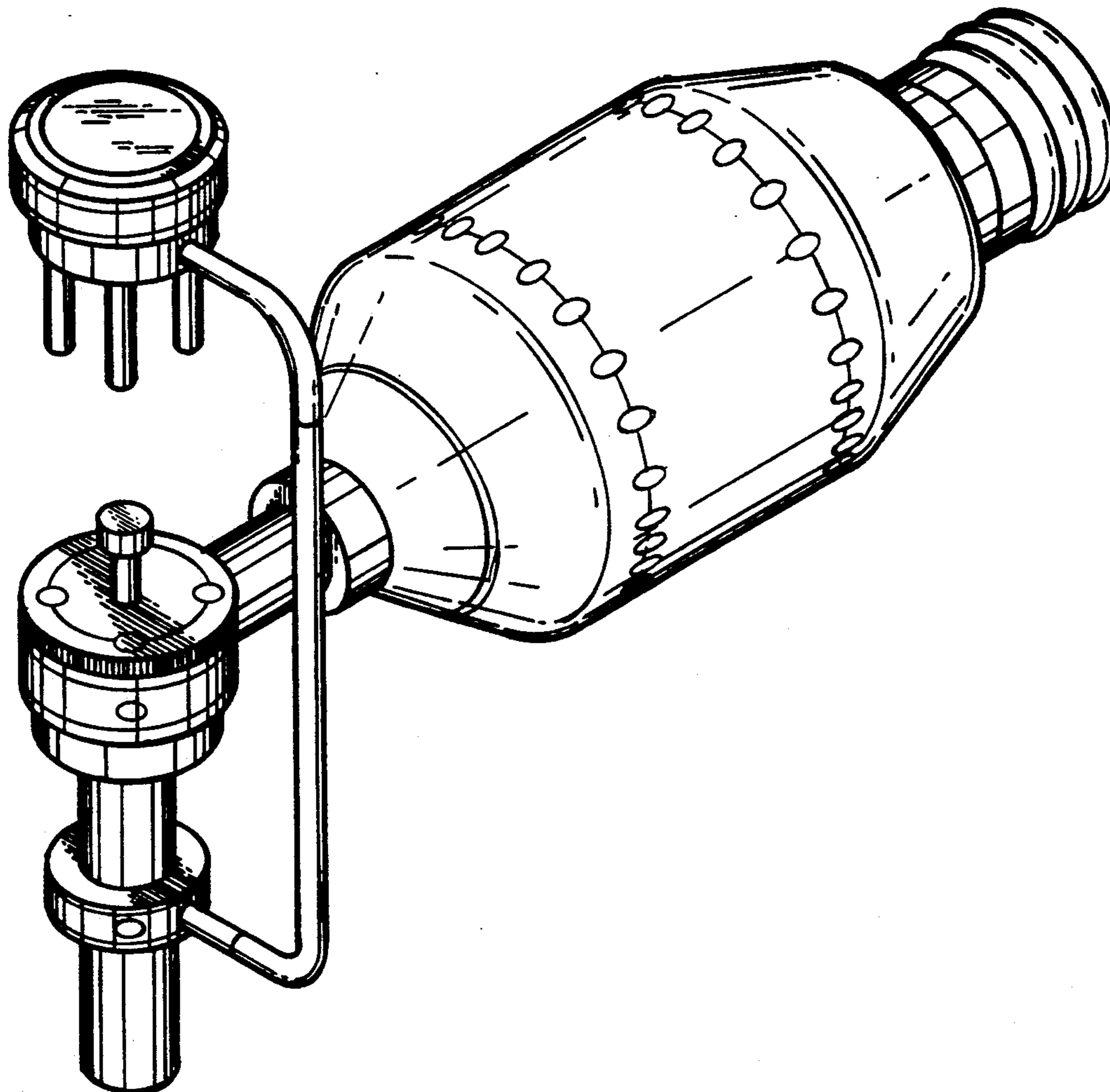
*Primary Examiner*—Stella Reid  
*Attorney, Agent, or Firm*—Terry M. Gernstein

[57] **CLAIM**

The ornamental design for a manometer for measuring intrathoracic pressure of an infant, as shown and described.

**DESCRIPTION**

FIG. 1 is a perspective view of a manometer for measuring intrathoracic pressure of an infant embodying the design of the present invention; FIG. 2 is a front elevational view thereof; FIG. 3 is a rear elevational view thereof; FIG. 4 is a side elevational view thereof; FIG. 5 is a side elevational view thereof; FIG. 6 is a top plan view thereof; and FIG. 7 is a bottom plan view thereof.



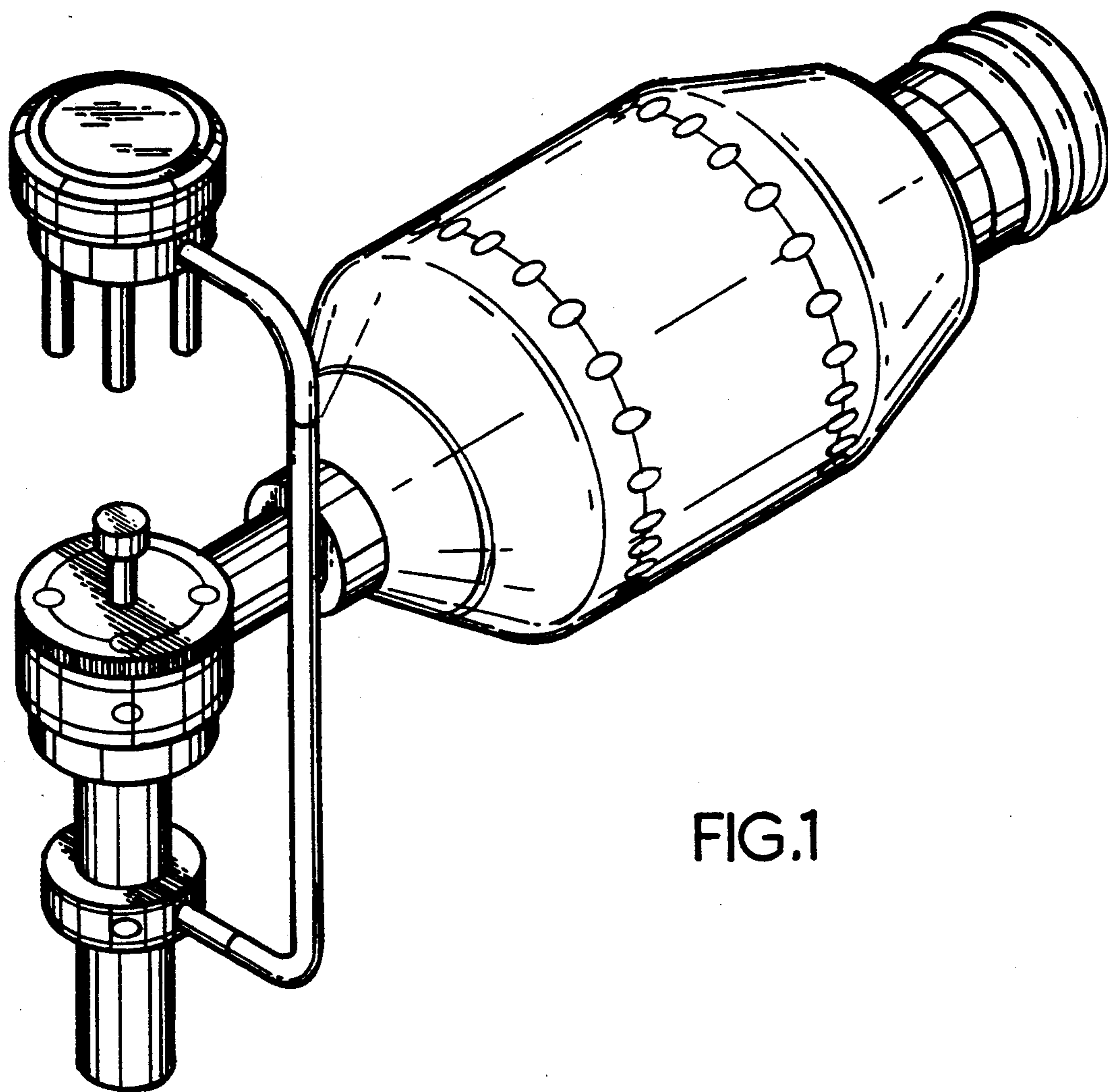


FIG.1

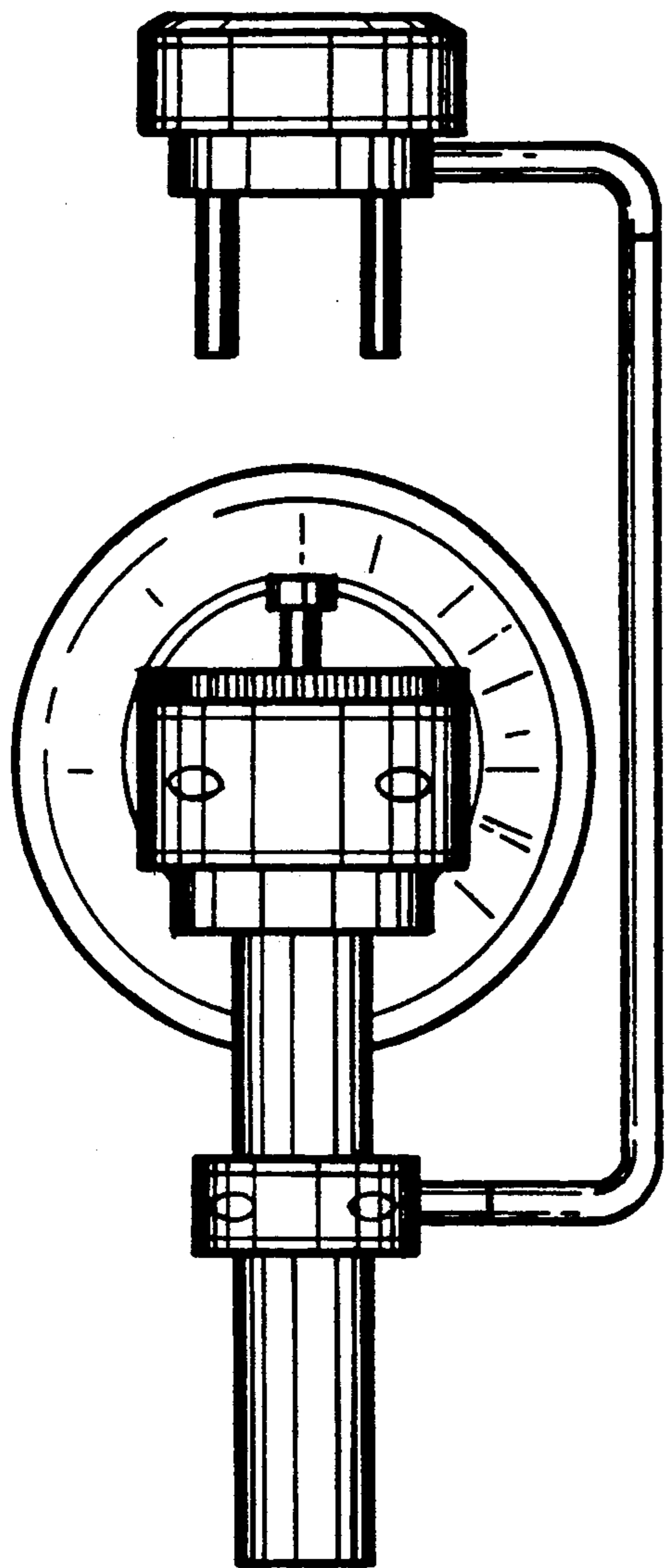


FIG. 2

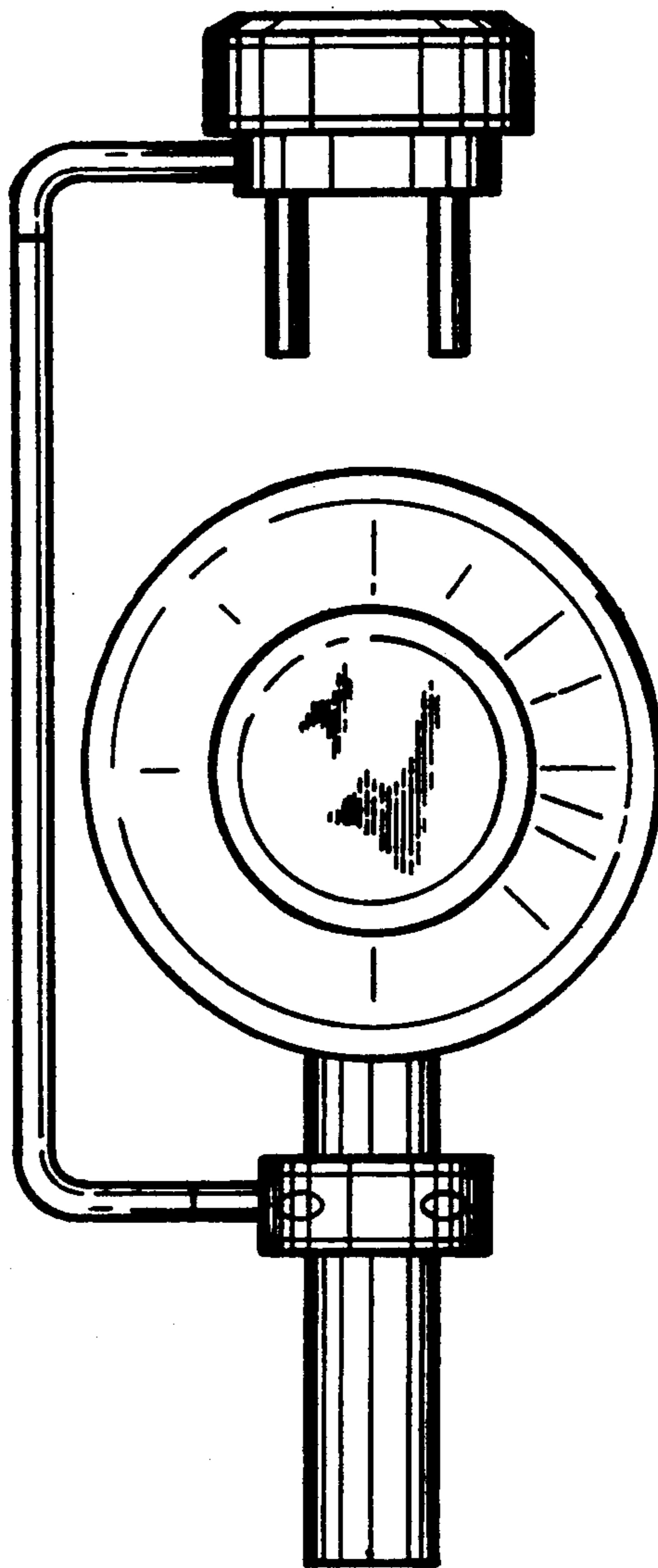


FIG. 3

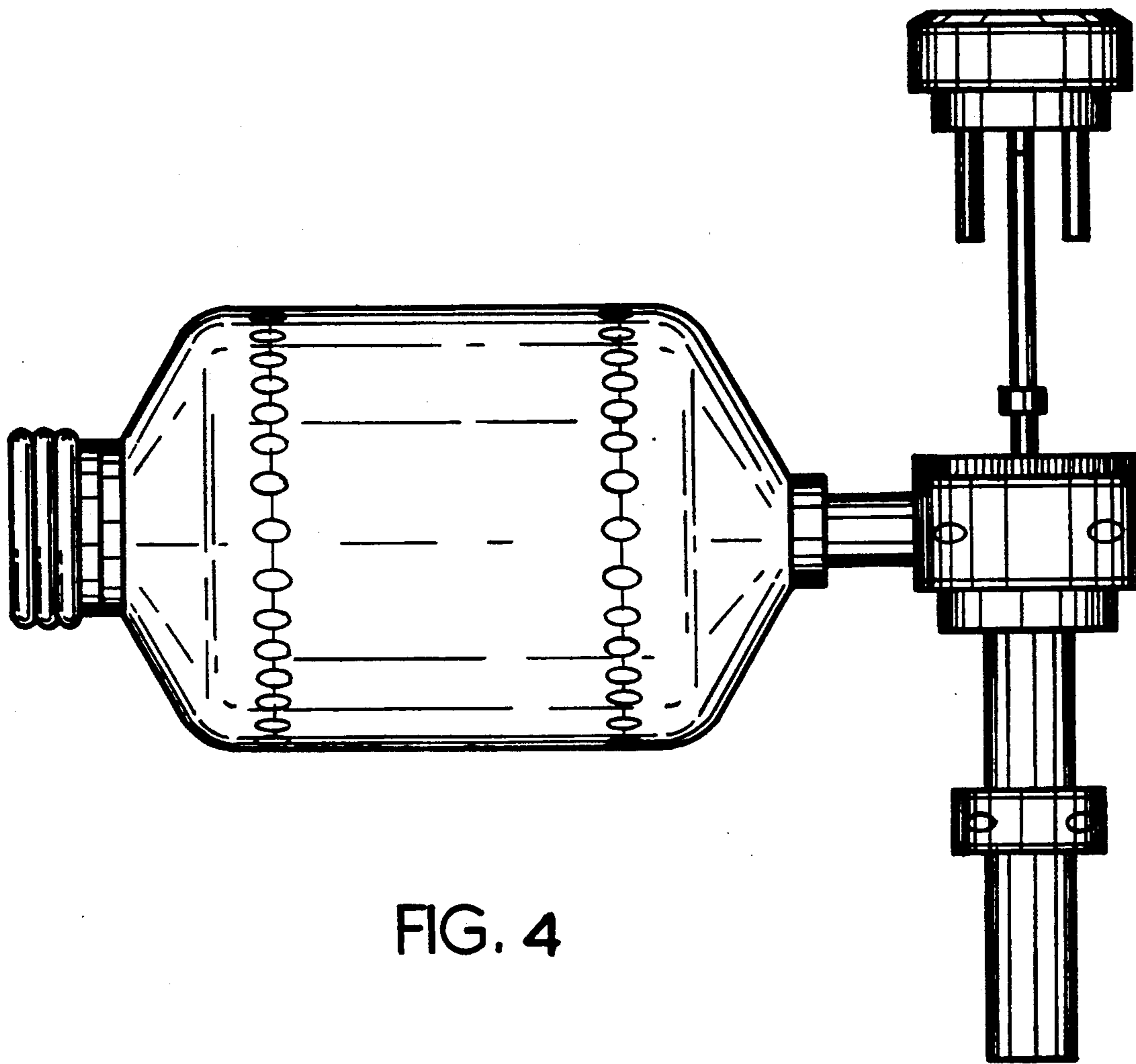


FIG. 4

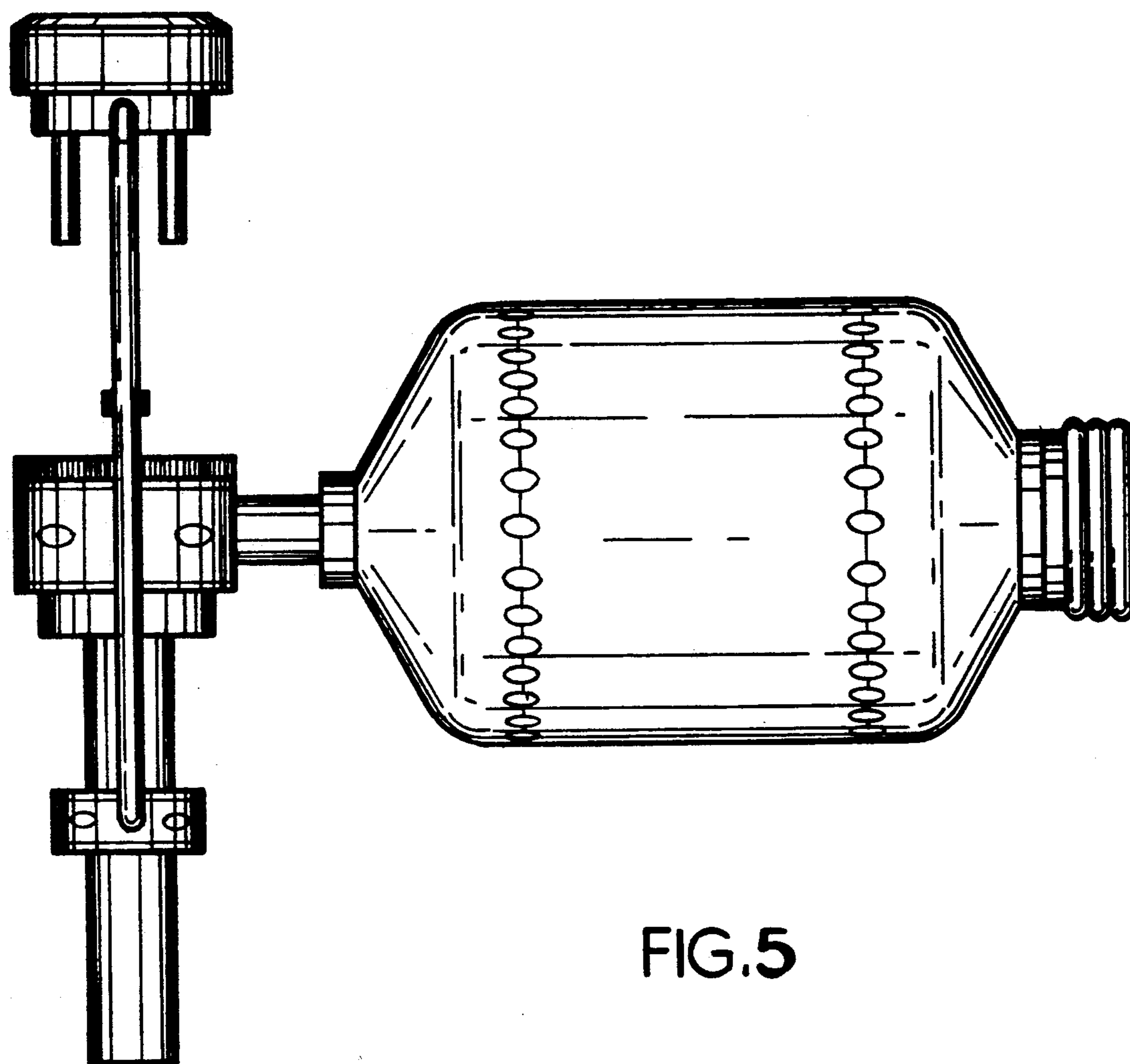


FIG.5



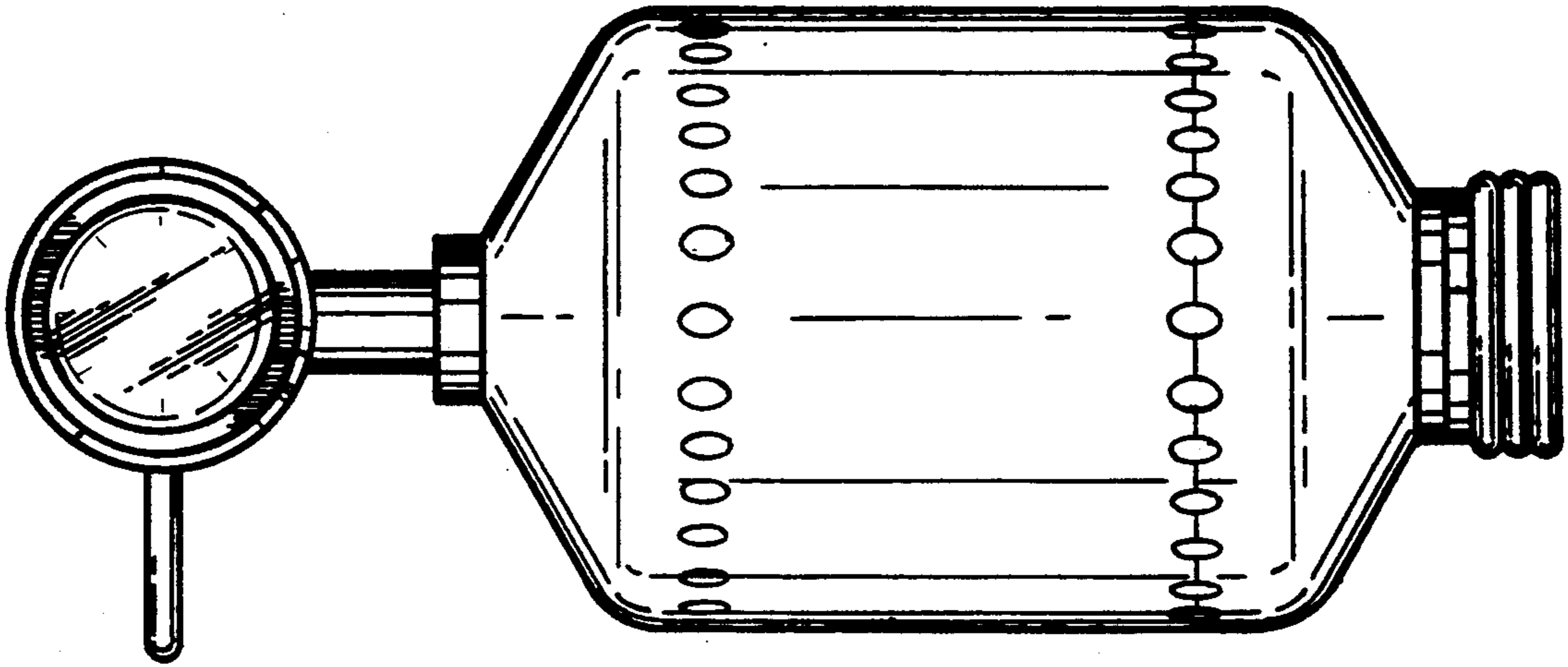


FIG. 6

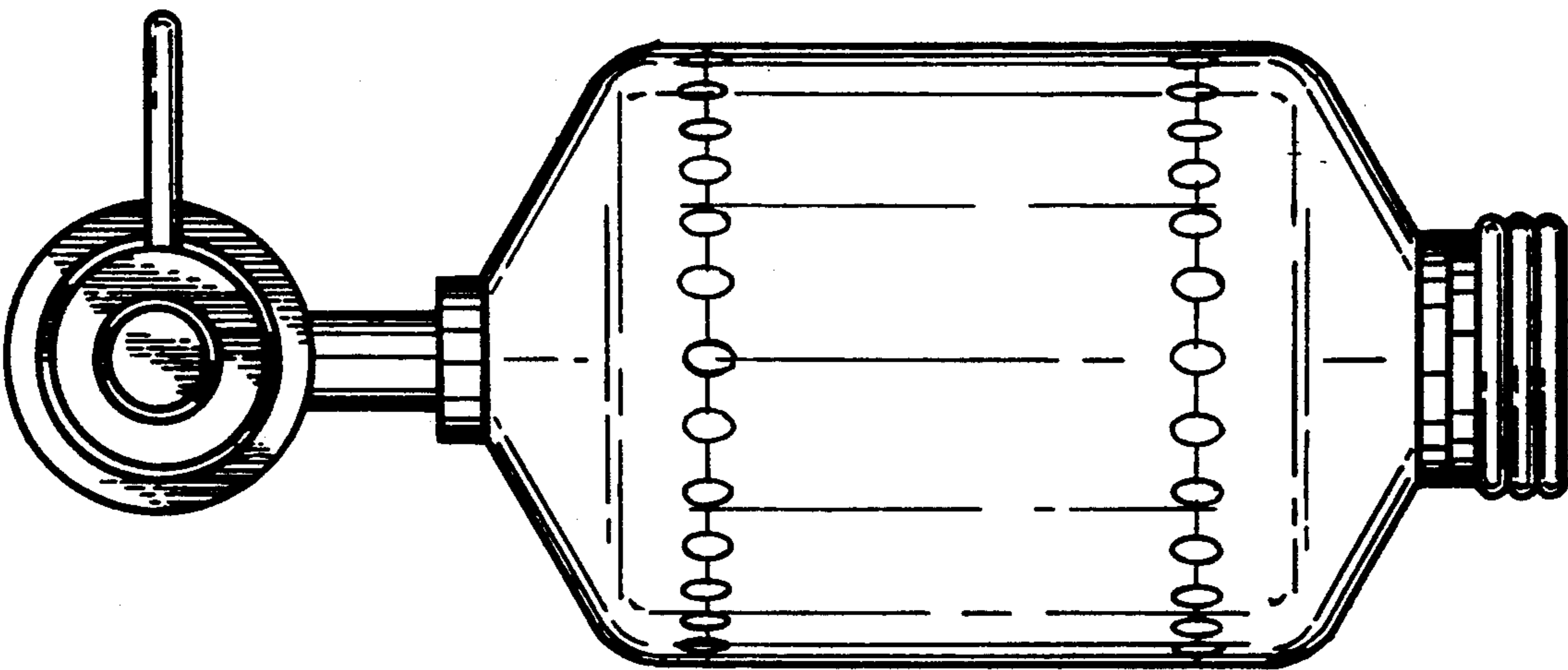


FIG. 7