



US00D333510S

United States Patent [19]

[11] Patent Number: **Des. 333,510**

Haug et al.

[45] Date of Patent: **** Feb. 23, 1993**

[54] FAUCET HANDLE

[75] Inventors: **Andreas Haug; Thomas Schoenherr**, both of Stuttgart, Fed. Rep. of Germany

[73] Assignee: **Hans Grohe GmbH & Co. KG**, Fed. Rep. of Germany

[**] Term: **14 Years**

[21] Appl. No.: **679,589**

[22] Filed: **Apr. 3, 1991**

[30] Foreign Application Priority Data

Oct. 6, 1990 [DE] Fed. Rep. of Germany ... 9006679[U]

[52] U.S. Cl. **D23/252**

[58] Field of Search **D23/233-254; D8/300, 301, 307-312; 16/118, 119, 121**

[56] References Cited

U.S. PATENT DOCUMENTS

D. 98,957	3/1936	Patten	D8/312
D. 106,250	9/1937	Davies	D8/312
D. 108,067	1/1938	Clemmons	D23/252
D. 117,400	10/1939	Leffler	D23/238
D. 146,269	1/1947	Simpson	D8/311
D. 152,928	3/1949	Stuman	D8/311
D. 202,273	9/1965	Brendgord	D8/311
D. 227,568	7/1973	Thorp	D8/311 X
D. 228,907	10/1973	Jones et al.	D23/252
D. 242,921	1/1977	Bake et al.	D23/250
D. 290,163	6/1987	Kohler, Jr. et al.	D23/252

OTHER PUBLICATIONS

Dornbracht, Edition Dornbracht, pp. 6-7, 14-15, admitted prior art see paper #5.

Dornbracht, Edition Point, admitted prior art, see paper #5.

Wisco, Vogue, admitted prior art, see paper #5.

CNB, Bonna Solo, admitted prior art, see paper #5.

Oras, admitted prior art, see paper #5.

Schulte, Mona, admitted prior art, see paper #5.

Schulte, Luna, admitted prior art, see paper #5.

Friedrich Grohe, admitted prior art, see paper #5.

Ideal Standard, admitted prior art, see paper #5.

Rapetti, admitted prior art, see paper #5.

Primary Examiner—James R. Largen

Attorney, Agent, or Firm—Eckert Seamans Cherin & Mellott

[57] CLAIM

The ornamental design for a faucet handle, as shown and described.

DESCRIPTION

FIG. 1 is a top perspective view of a faucet handle showing our new design;

FIG. 2 is a rear elevational view thereof;

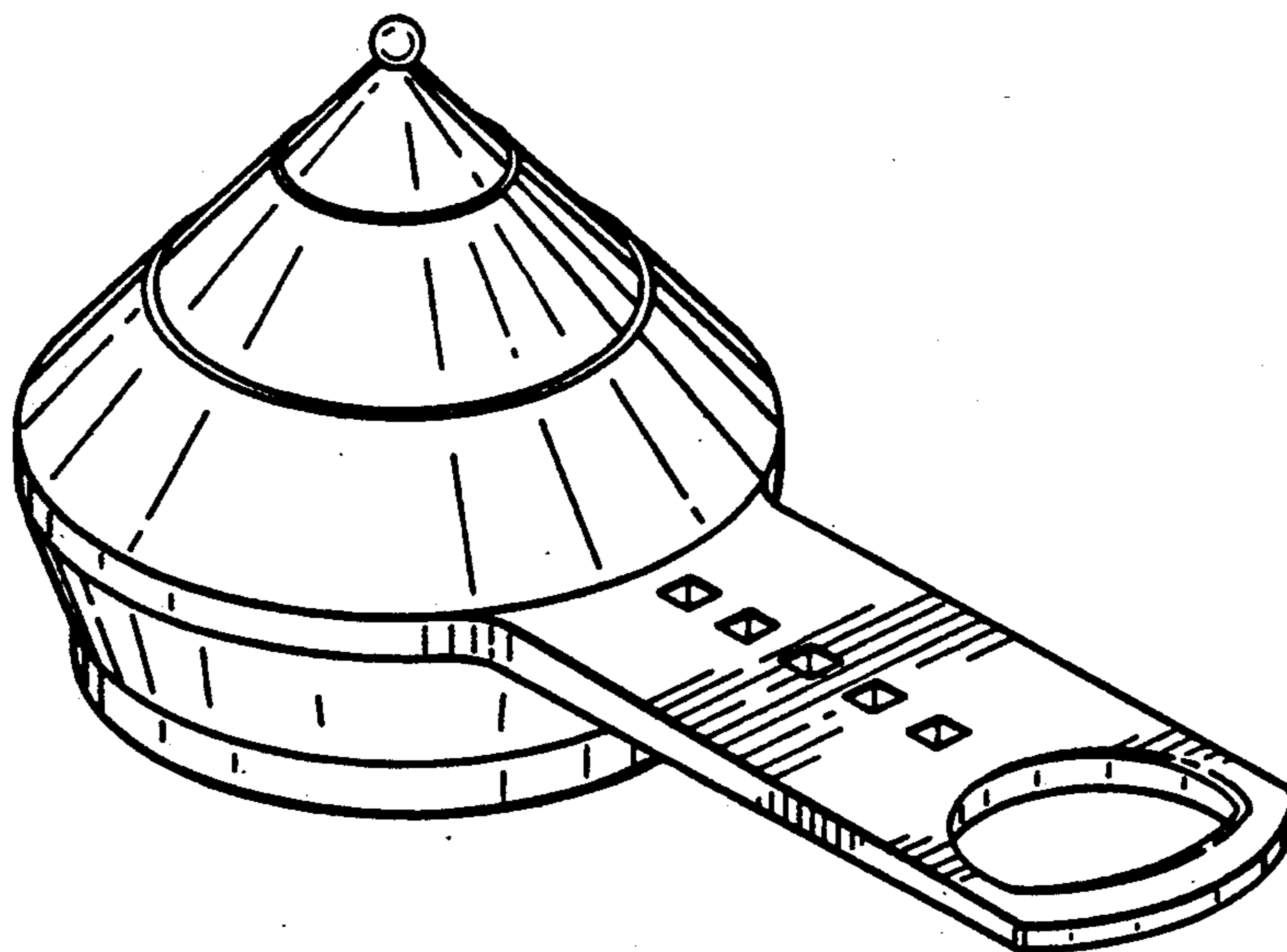
FIG. 3 is a front elevational view thereof;

FIG. 4 is a right side elevational view thereof;

FIG. 5 is a top plan view thereof;

FIG. 6 is a left side elevational view thereof; and,

FIG. 7 is a bottom plan view thereof.



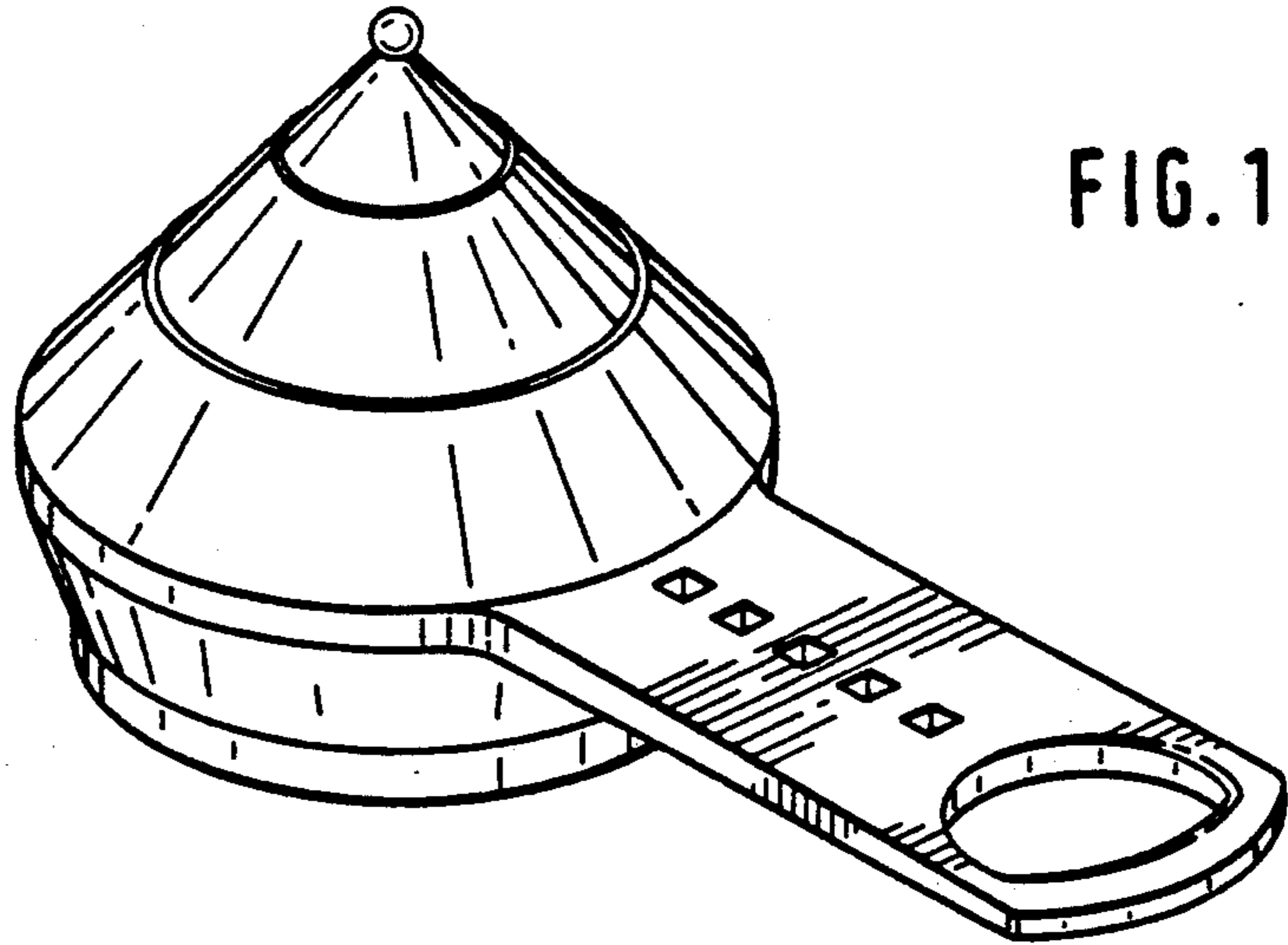


FIG. 1

FIG. 2

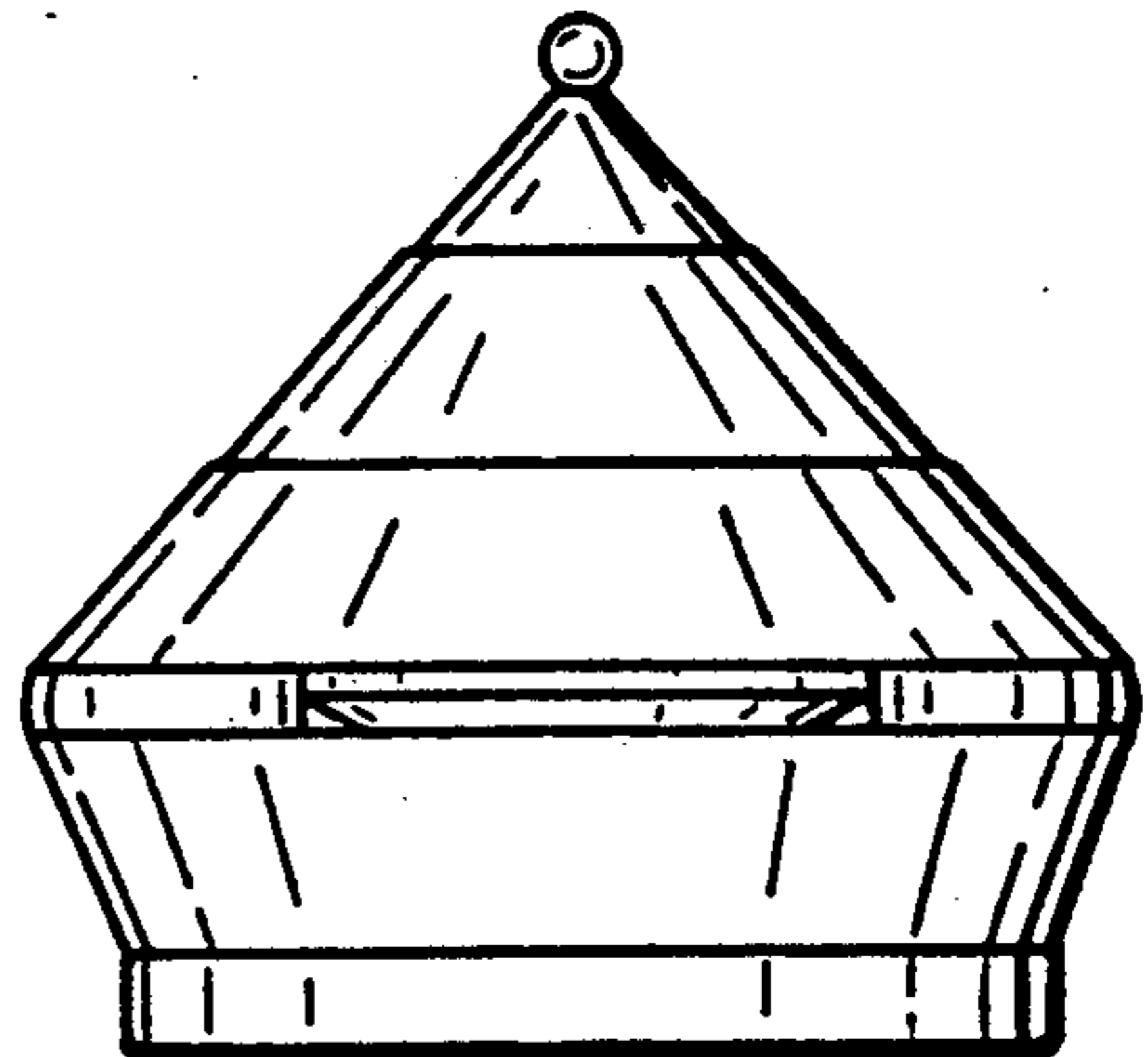
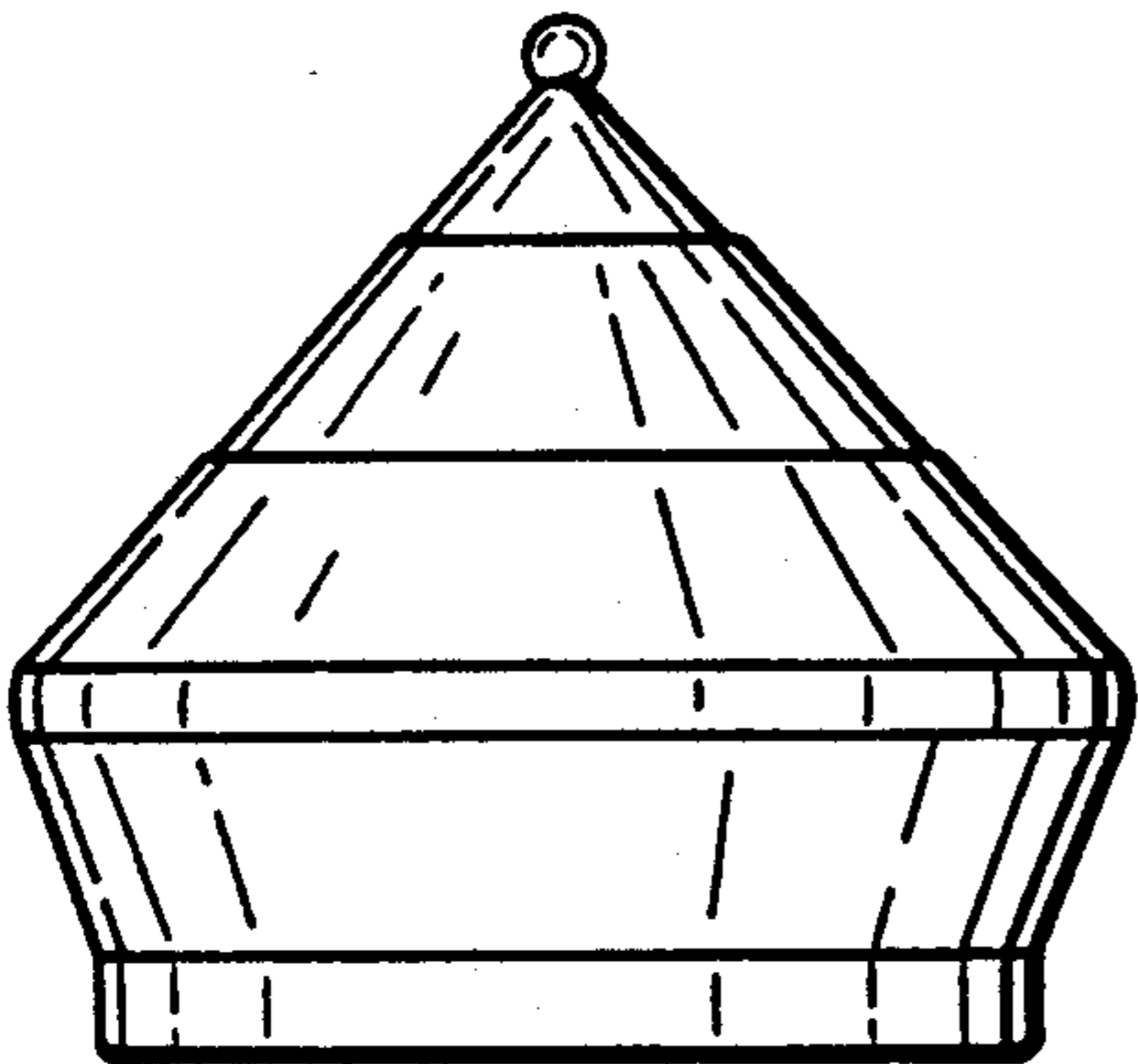


FIG. 3

FIG. 4

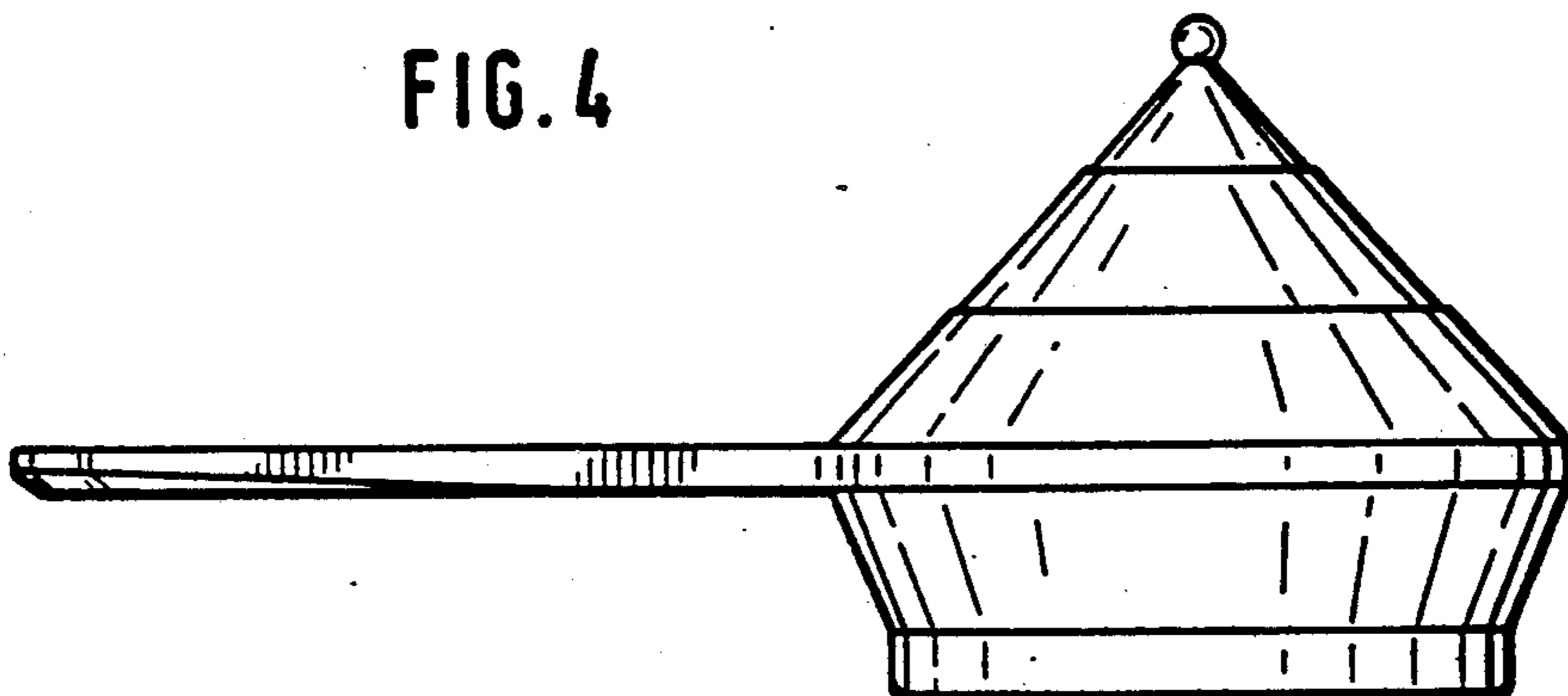


FIG. 5

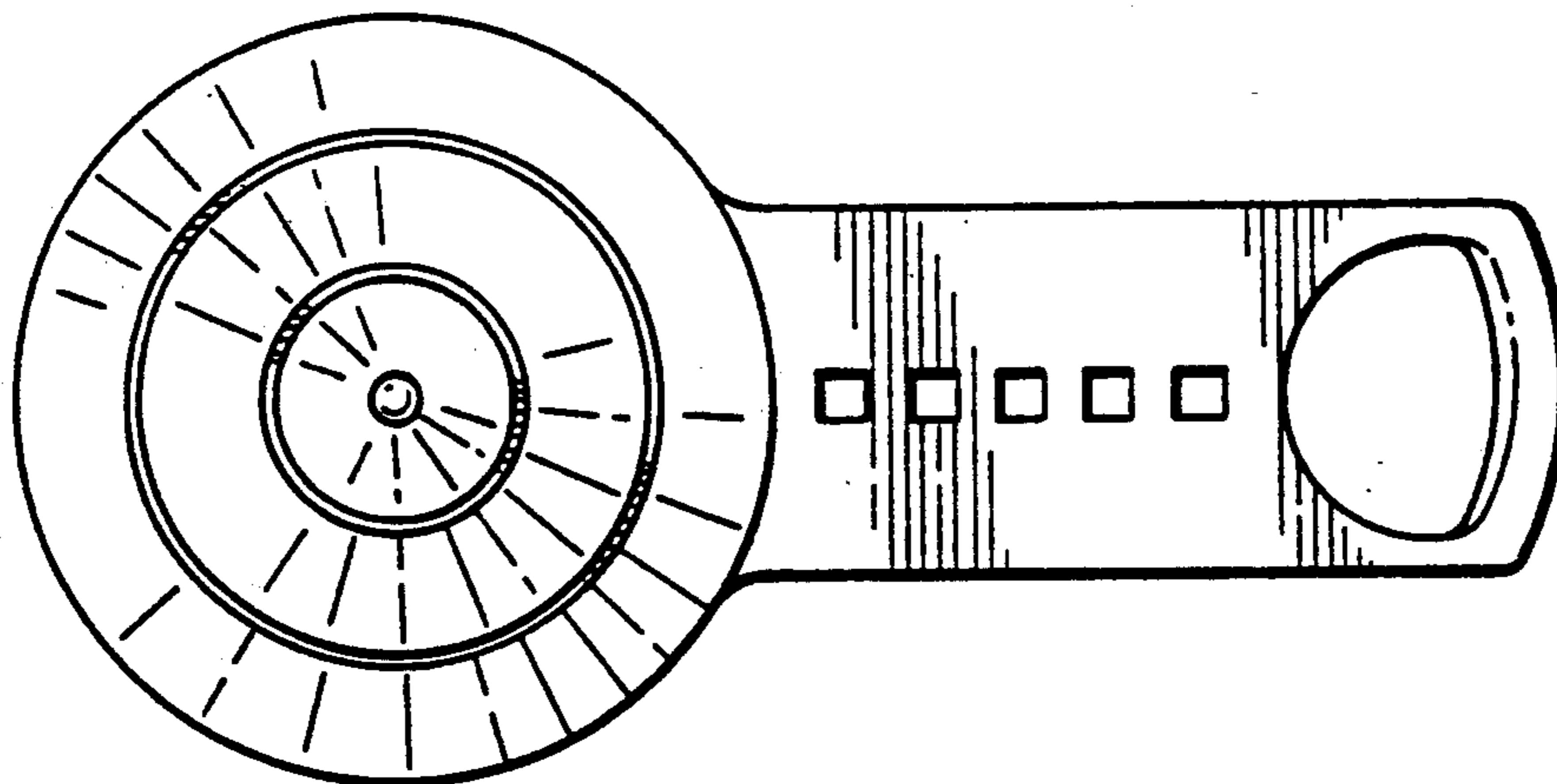


FIG. 6

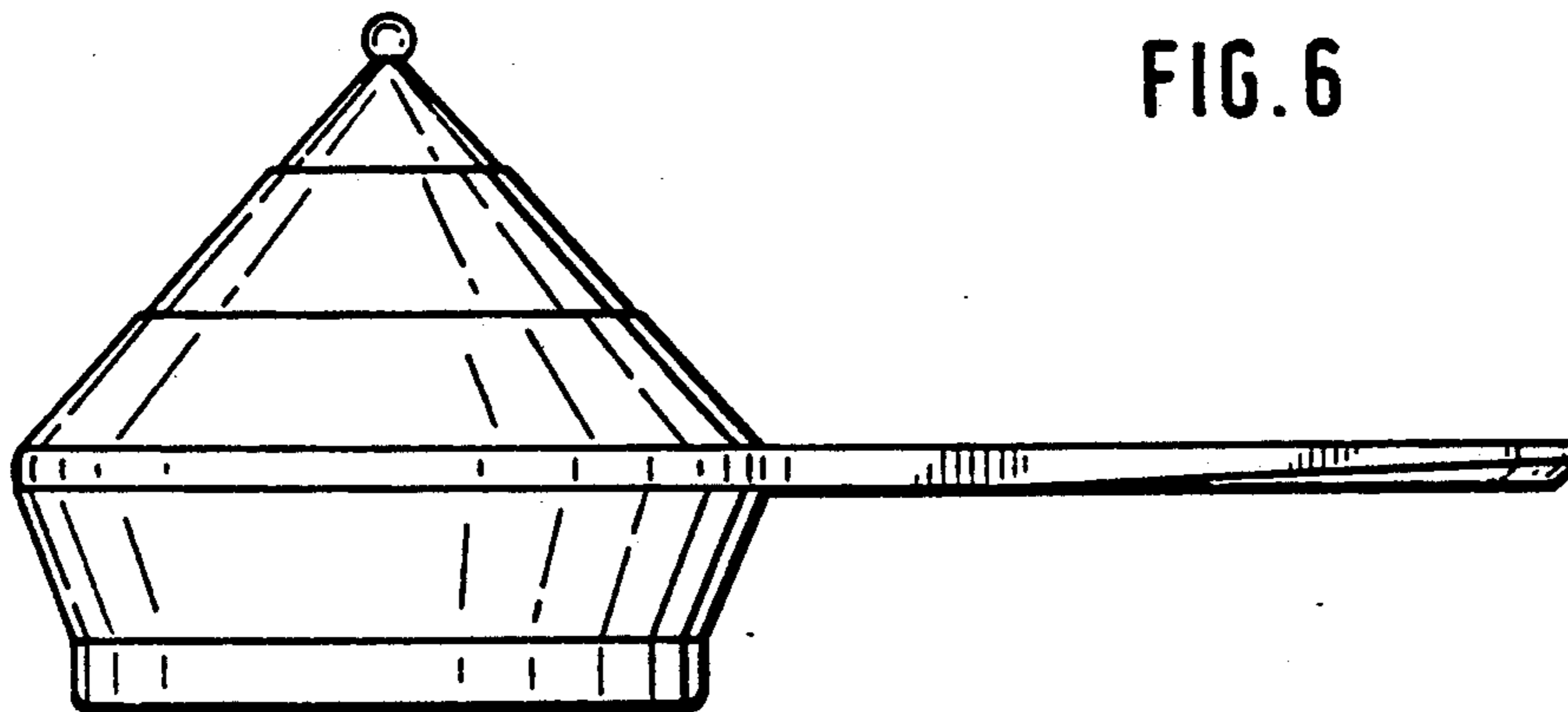


FIG. 7

