



US00D333507S

United States Patent [19] Colo'n

[11] Patent Number: **Des. 333,507**
[45] Date of Patent: **** Feb. 23, 1993**

[54] **LAWN SPRINKLER HEAD PROTECTOR**
[76] Inventor: **Arthur D. Colo'n, 9821 Summerwood Cr., #1404, Dallas, Tex. 75243**
[**] Term: **14 Years**
[21] Appl. No.: **738,723**
[22] Filed: **Jul. 18, 1991**
[52] U.S. Cl. **D23/213**
[58] Field of Search **D23/200, 213-222; 239/288, 288.3, 288.5, 201, 203, 230**

4,350,296 9/1982 Kuhlman et al. 239/201
4,429,832 2/1984 Sheets 239/204
4,582,256 4/1986 Jaquez 239/288.5
4,781,327 11/1988 Lawson et al. 239/203

Primary Examiner—Wallace R. Burke
Assistant Examiner—M. H. Tung
Attorney, Agent, or Firm—Timmons & Kelly

[57] CLAIM

The ornamental design for a lawn sprinkler head protector, as shown.

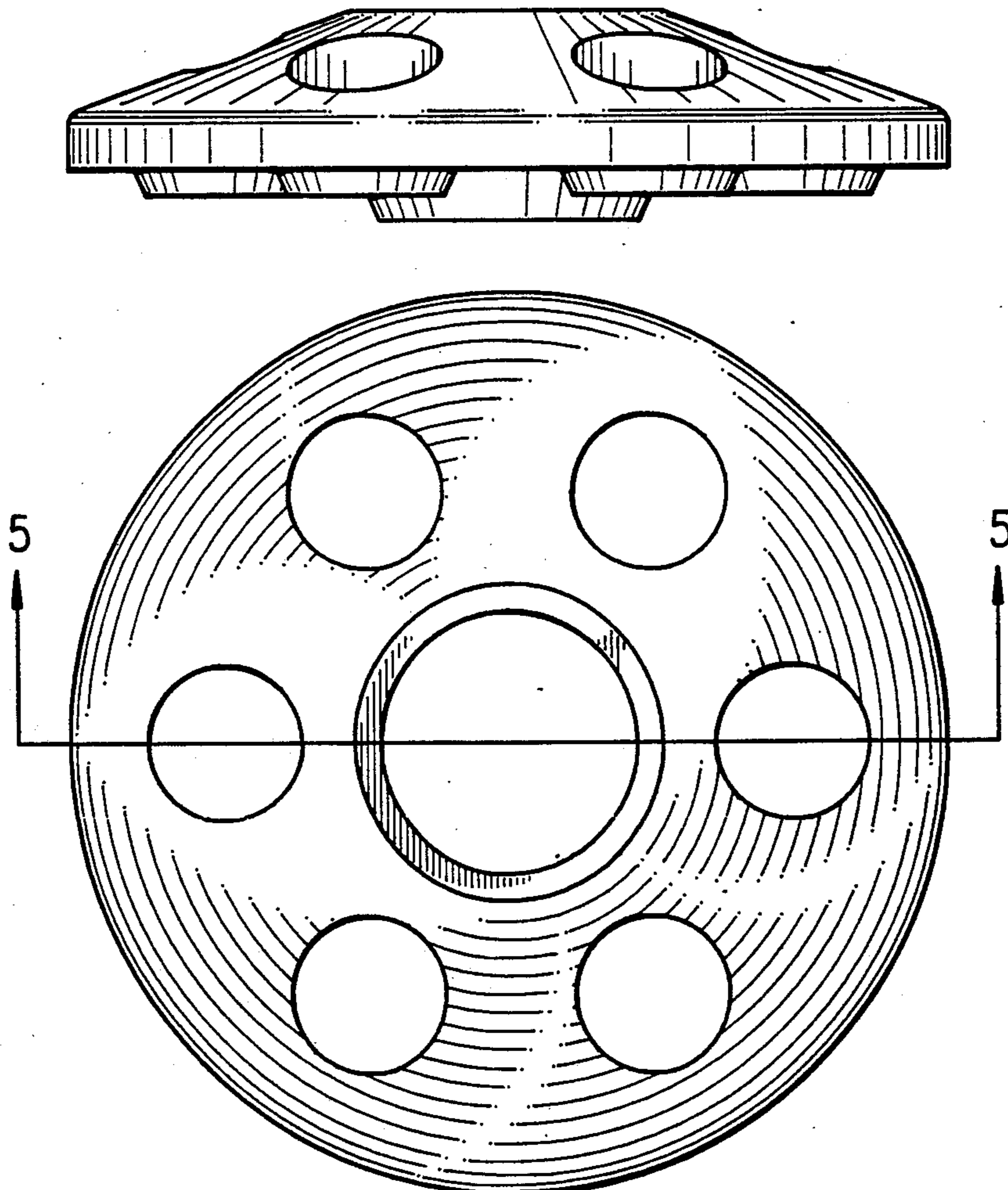
DESCRIPTION

FIG. 1 is a right side elevational view of a lawn sprinkler head protector, the opposite side being identical; FIG. 2 is a front elevational view thereof, the rear being identical; FIG. 3 is a top plan view thereof; FIG. 4 is a bottom plan view thereof; and, FIG. 5 is a cross-sectional view thereof, taken on line 5—5 of FIG. 3. The broken line drawing of a sprinkler head in FIG. 5 is for illustrative purposes only and forms no part of the claimed design.

[56] **References Cited**

U.S. PATENT DOCUMENTS

D. 256,386	8/1980	Bergland	239/201 X
3,009,651	11/1961	Wolf	D23/214 X
3,015,448	1/1962	Hurless	239/201
3,018,057	1/1962	Anderson	239/201
3,265,310	8/1966	Cohen	239/201
3,662,956	5/1972	Hedman	239/201
3,762,642	10/1973	DiSanto	239/201
3,904,120	9/1975	Sbicca	239/201
4,146,181	3/1979	Soos	239/288.5
4,212,426	7/1980	Choi	239/230



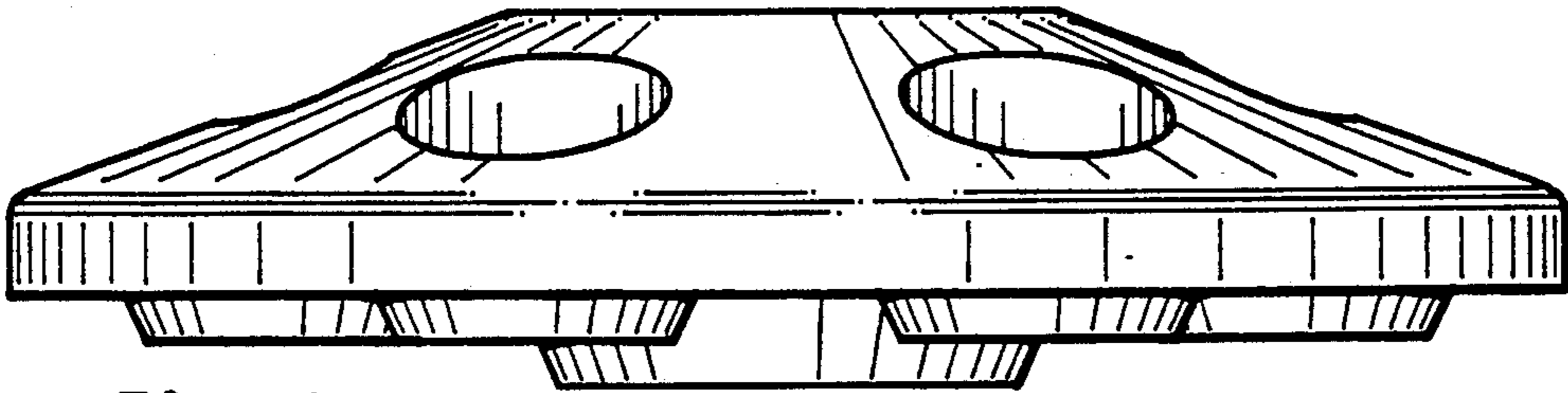


Fig. 1

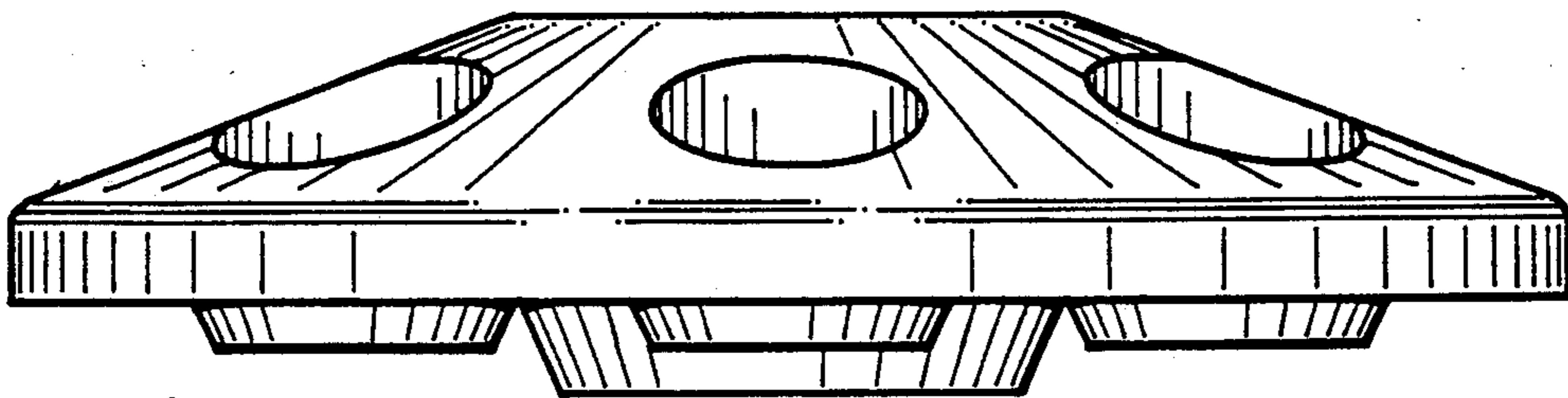


Fig. 2

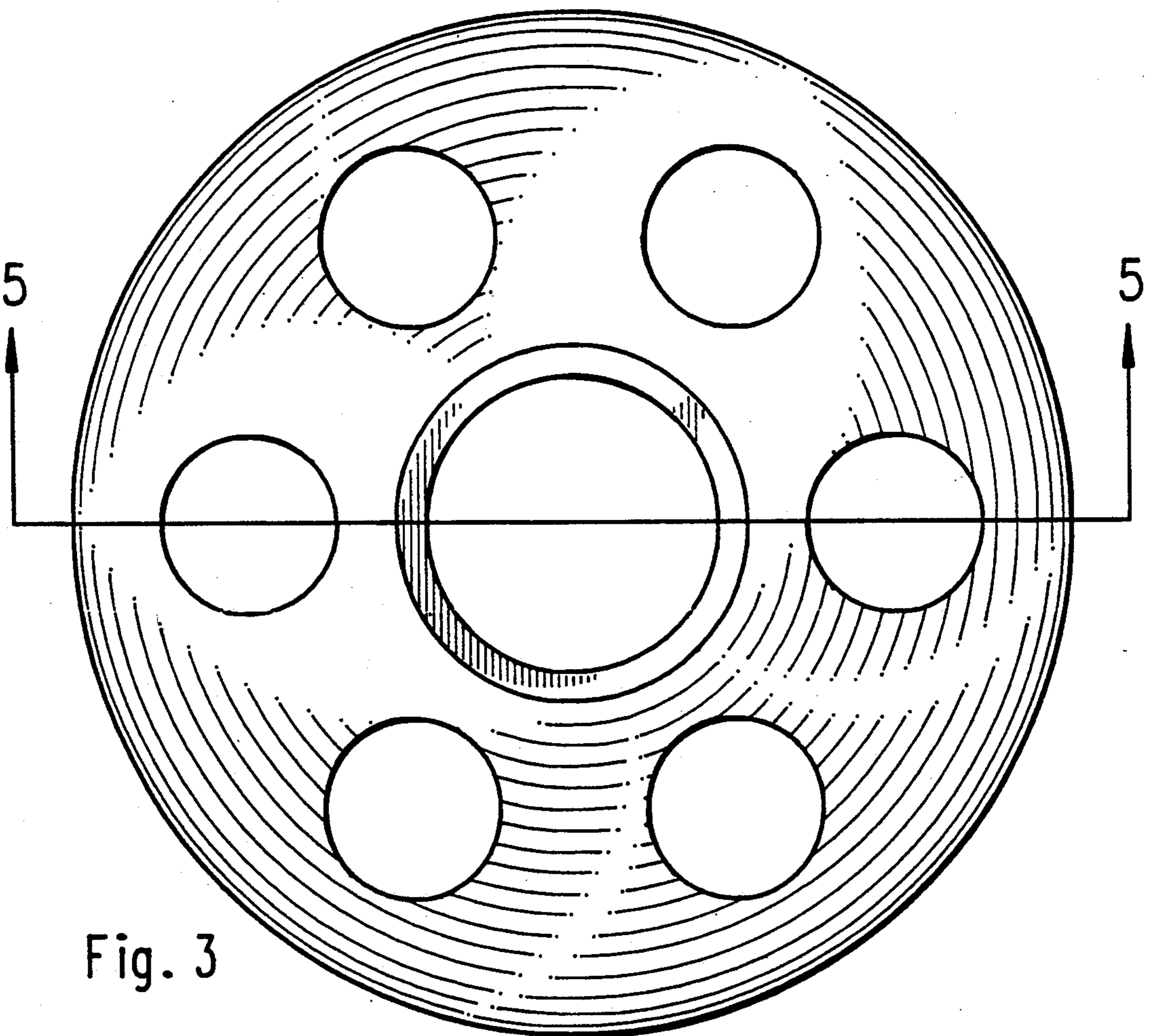


Fig. 3

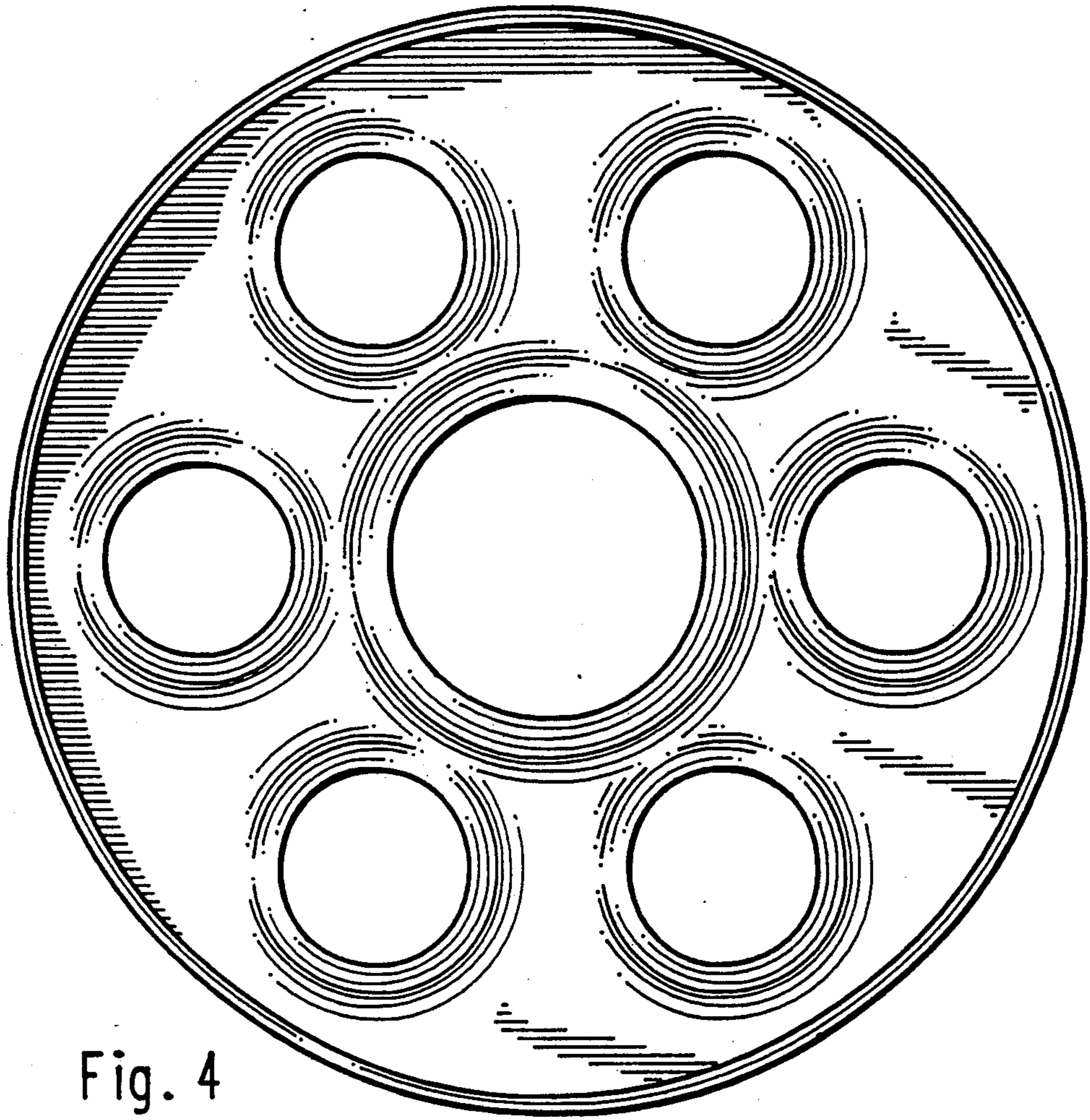


Fig. 4

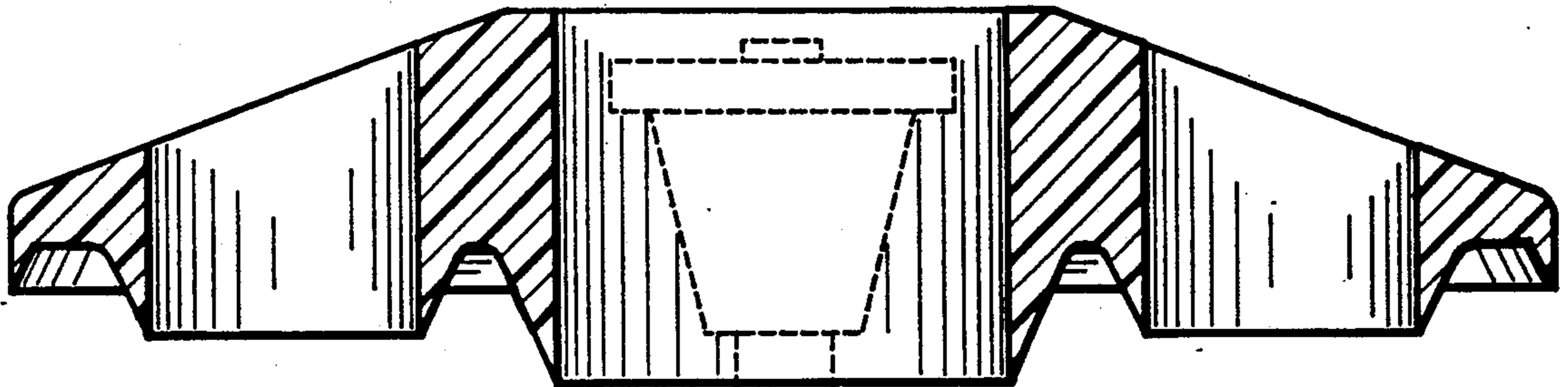


Fig. 5