



US00D333504S

United States Patent [19]
Myojo

[11] **Patent Number: Des. 333,504**
[45] **Date of Patent: ** Feb. 23, 1993**

[54] **FISHING REEL**

[75] **Inventor: Seiji Myojo, Sakai, Japan**

[73] **Assignee: Shimano Inc., Osaka, Japan**

[**] **Term: 14 Years**

[21] **Appl. No.: 483,783**

[22] **Filed: Feb. 23, 1990**

Related U.S. Application Data

[63] **Continuation-in-part of Ser. No. 216,998, Jul. 11, 1988, abandoned.**

Foreign Application Priority Data

Jan. 12, 1988 [JP] Japan 63-969
[52] **U.S. Cl. D22/141**
[58] **Field of Search D22/141; 242/224, 234, 242/235, 236, 237, 238, 239, 230, 231, 232, 233, 245, 246**

[56] **References Cited**

U.S. PATENT DOCUMENTS

D. 290,988 7/1987 Myojo D22/141
D. 291,109 7/1987 Myojo D22/141
D. 294,855 3/1988 Iinuma et al. D22/141
D. 307,622 5/1990 Hiraishi et al. D22/141

OTHER PUBLICATIONS

Cabela's 1988 Spring, p. 6, Shimano Magnumlite GTX Speedmaster Reel.

Primary Examiner—James R. Largen

Assistant Examiner—Doris V. Coles

Attorney, Agent, or Firm—Dickstein, Shapiro & Morin

[57] **CLAIM**

The ornamental design for fishing reel, as shown.

DESCRIPTION

FIG. 1 is a right side elevational view of a fishing reel showing my new design;

FIG. 2 is a top plan view thereof;

FIG. 3 is a bottom plan view thereof;

FIG. 4 is a front elevational view thereof;

FIG. 5 is a rear elevational view thereof; and,

FIG. 6 is a left side elevational view thereof.

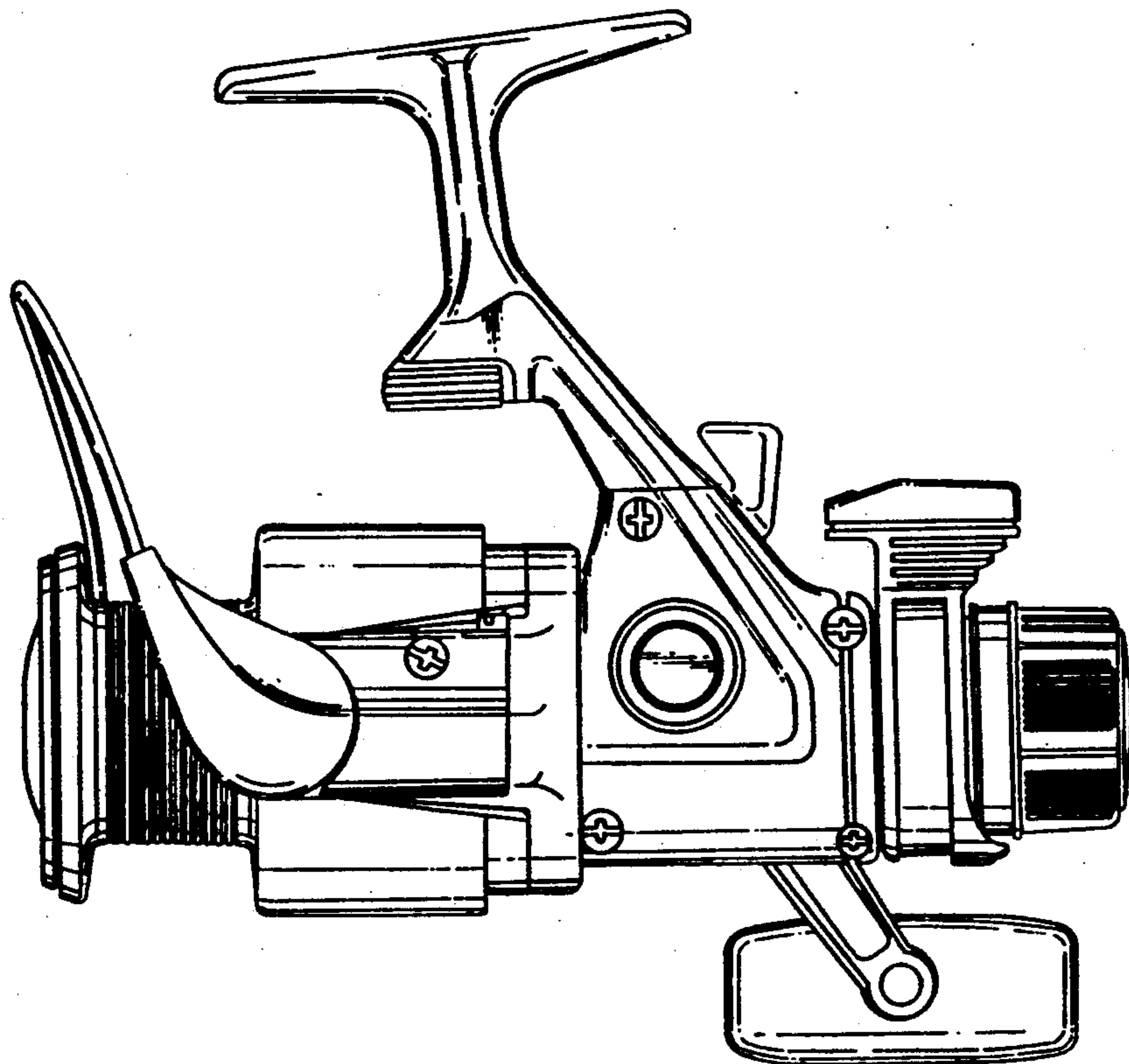


FIG. 1

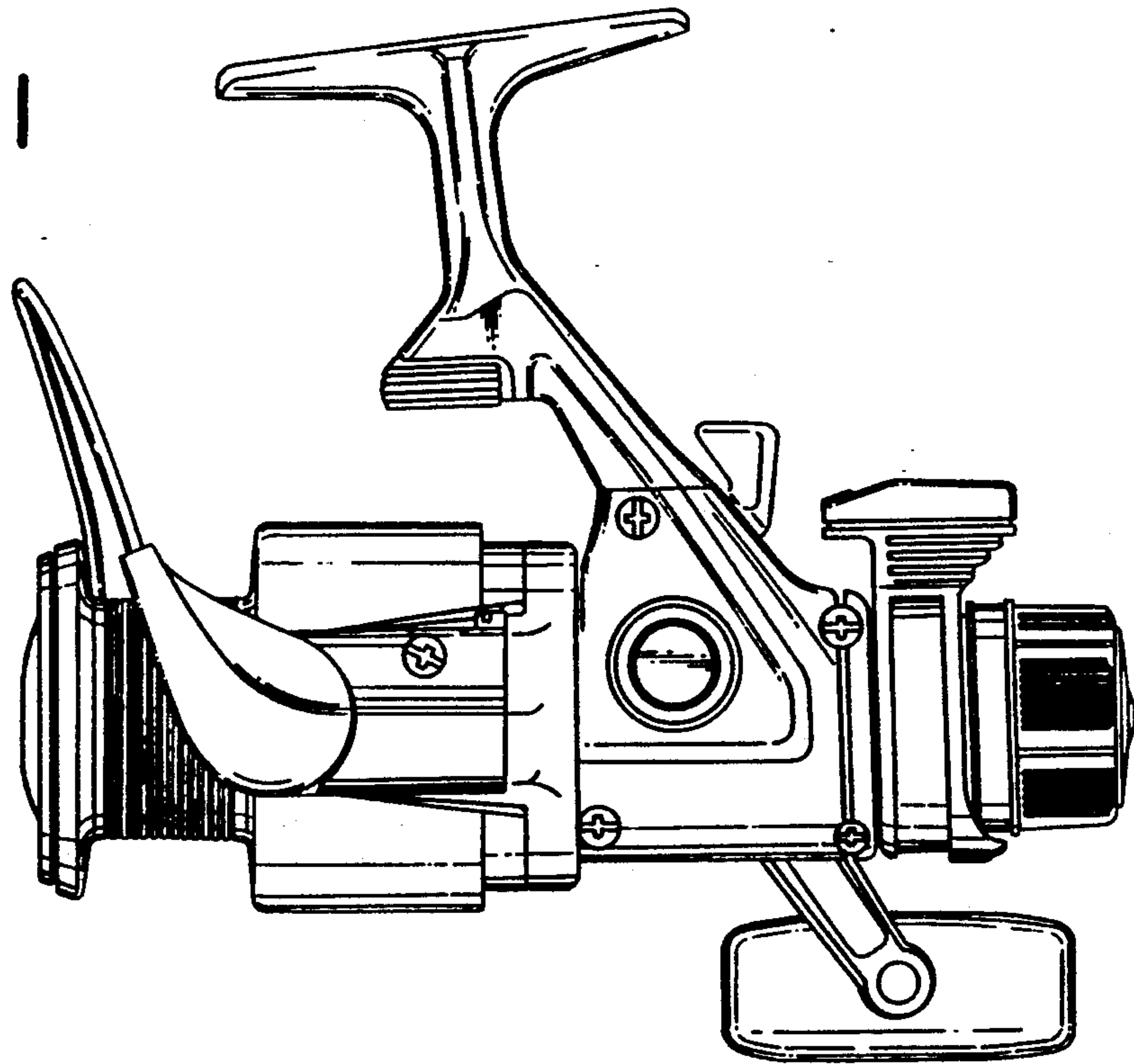
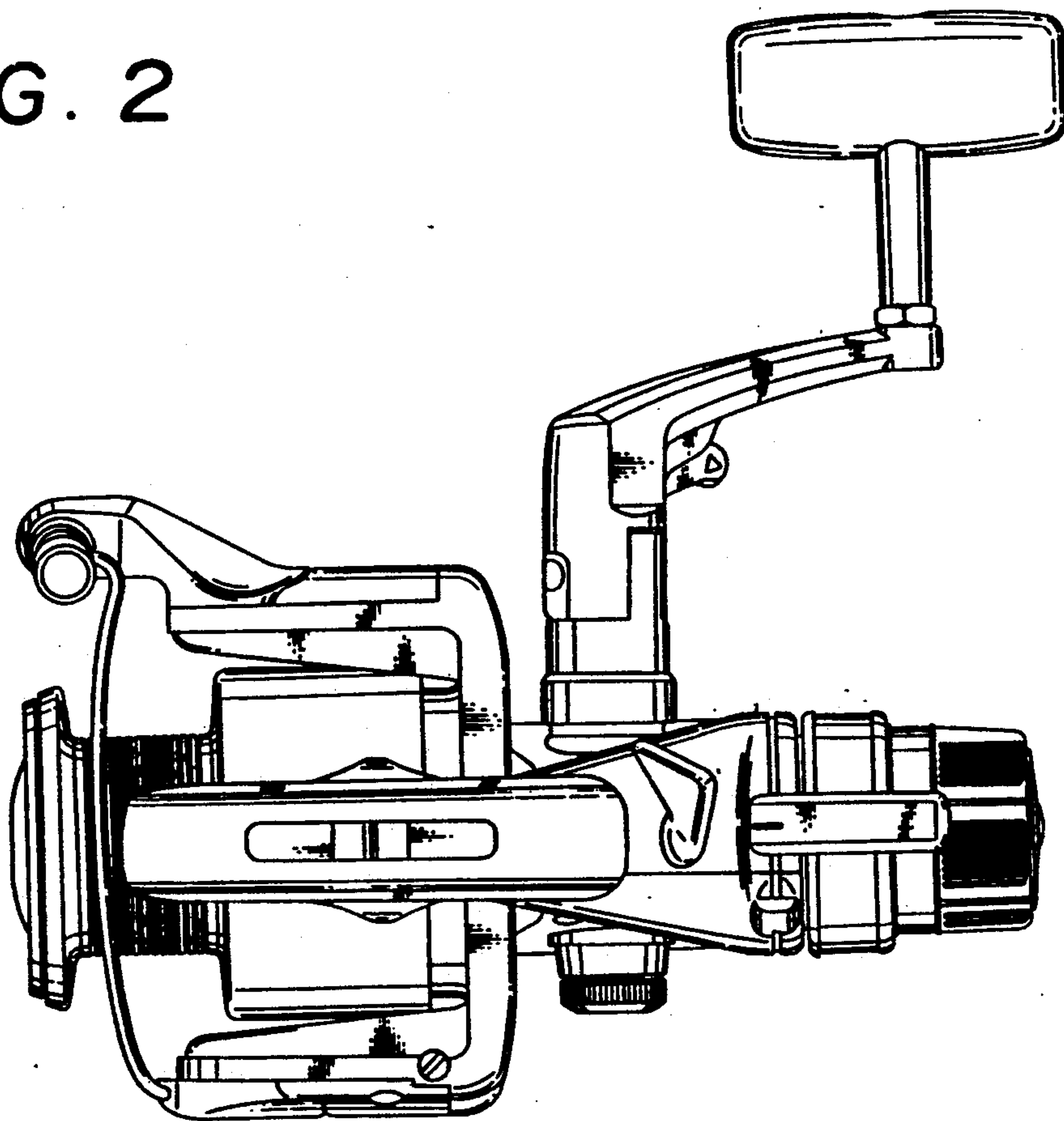


FIG. 2



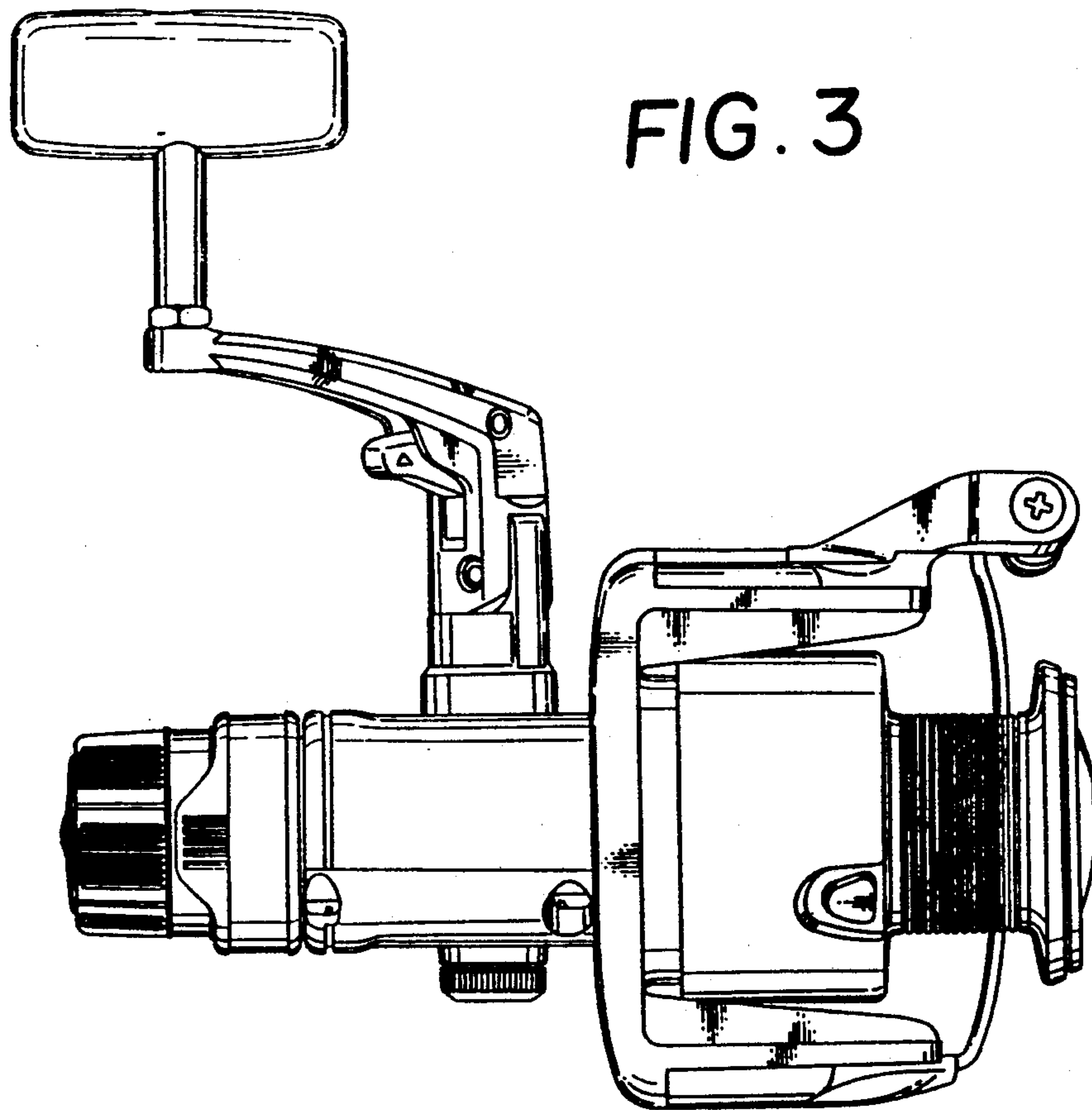
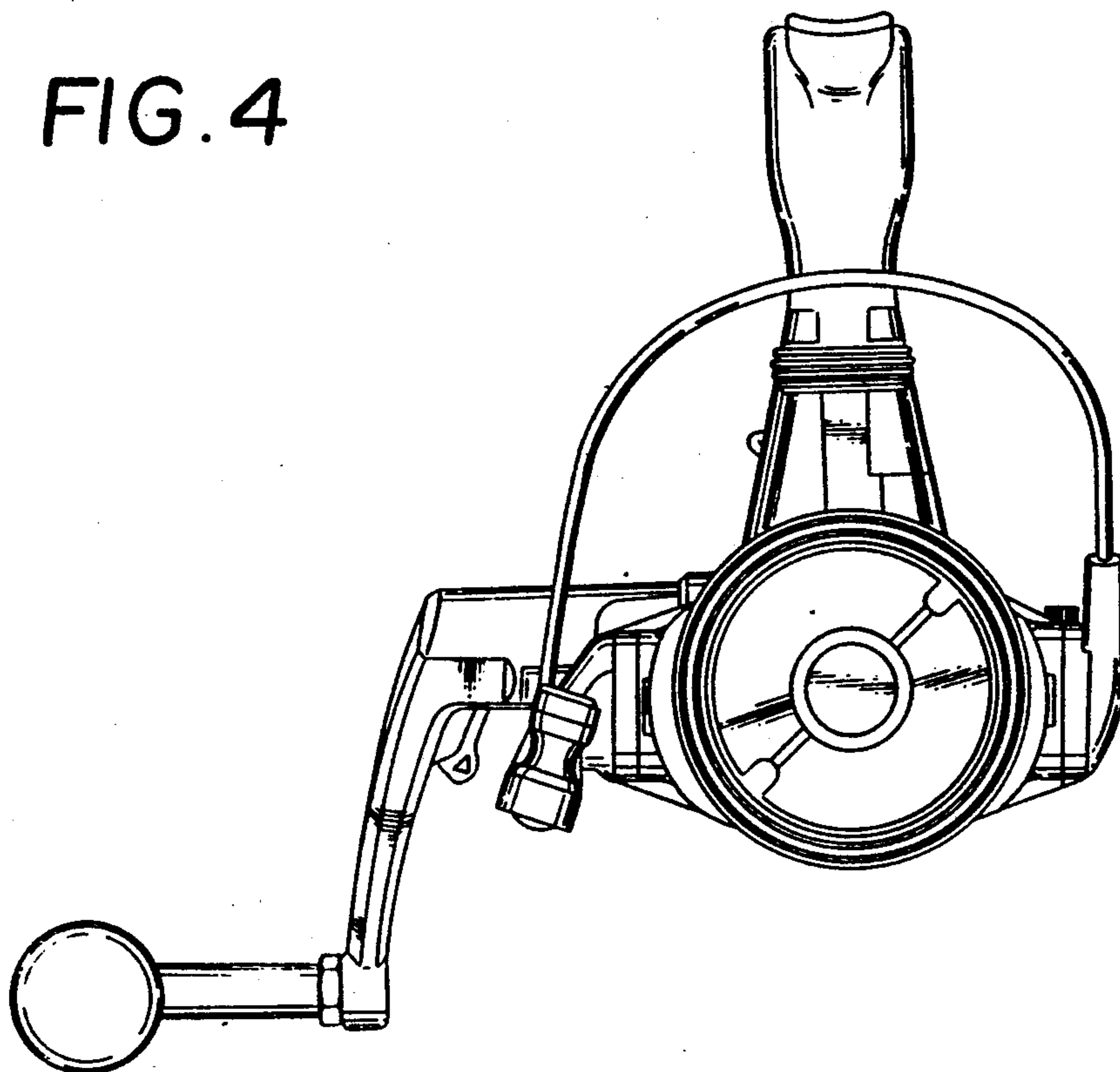


FIG. 4



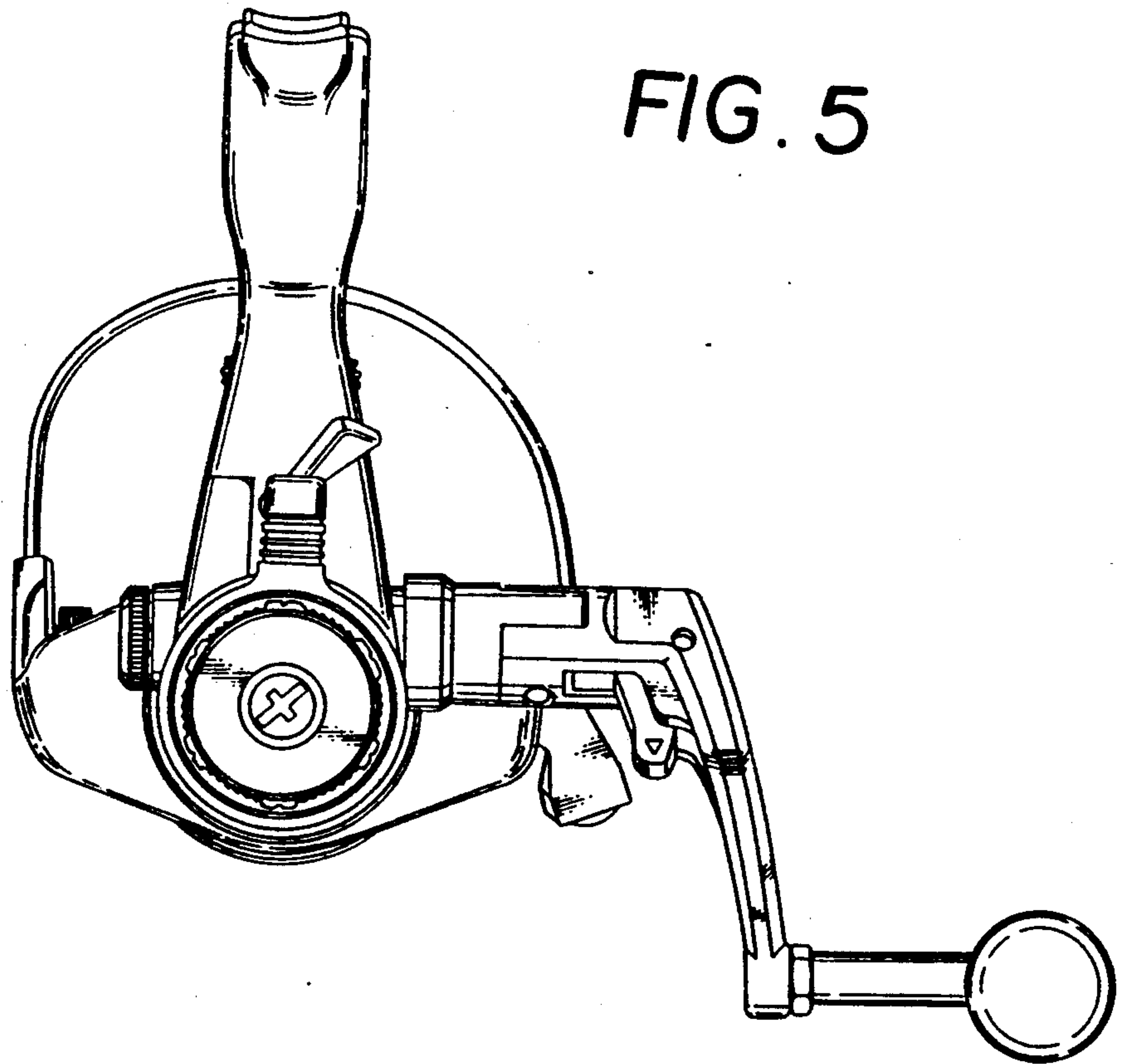


FIG. 6

