



US00D333503S

United States Patent [19]
Myojo

[11] **Patent Number: Des. 333,503**
[45] **Date of Patent: ** Feb. 23, 1993**

[54] **FISHING REEL**

[75] **Inventor: Seiji Myojo, Sakai, Japan**
[73] **Assignee: Shimano, Inc., Osaka, Japan**
[**] **Term: 14 Years**
[21] **Appl. No.: 483,781**
[22] **Filed: Feb. 23, 1990**

Related U.S. Application Data

[63] Continuation-in-part of Ser. No. 216,997, Jul. 11, 1988, abandoned.

Foreign Application Priority Data

Jan. 12, 1988 [JP] Japan 63-970
[52] **U.S. Cl. D22/141**
[58] **Field of Search D22/141; 242/224, 234, 242/235, 236, 237, 239, 230-233, 245, 246**

[56]

References Cited

U.S. PATENT DOCUMENTS

D. 290,988 7/1987 Myojo D22/141
D. 291,109 7/1987 Myojo D22/141
D. 294,855 3/1988 Inuma et al. D22/141
D. 307,622 5/1990 Hiraishi et al. D22/141

OTHER PUBLICATIONS

Cabela's 1988 Spring, p. 6 Shimano Magnumlite GTX Speedmaster Reel.

Primary Examiner—James R. Largen
Assistant Examiner—Doris V. Coles
Attorney, Agent, or Firm—Dickstein, Shapiro & Morin

[57]

CLAIM

The ornamental design for fishing reel, as shown.

DESCRIPTION

FIG. 1 is a right side elevational view of a fishing reel showing my new design;
FIG. 2 is a top plan view thereof;
FIG. 3 is a bottom plan view thereof;
FIG. 4 is a front elevational view thereof;
FIG. 5 is a rear elevational view thereof; and,
FIG. 6 is a left side elevational view thereof.

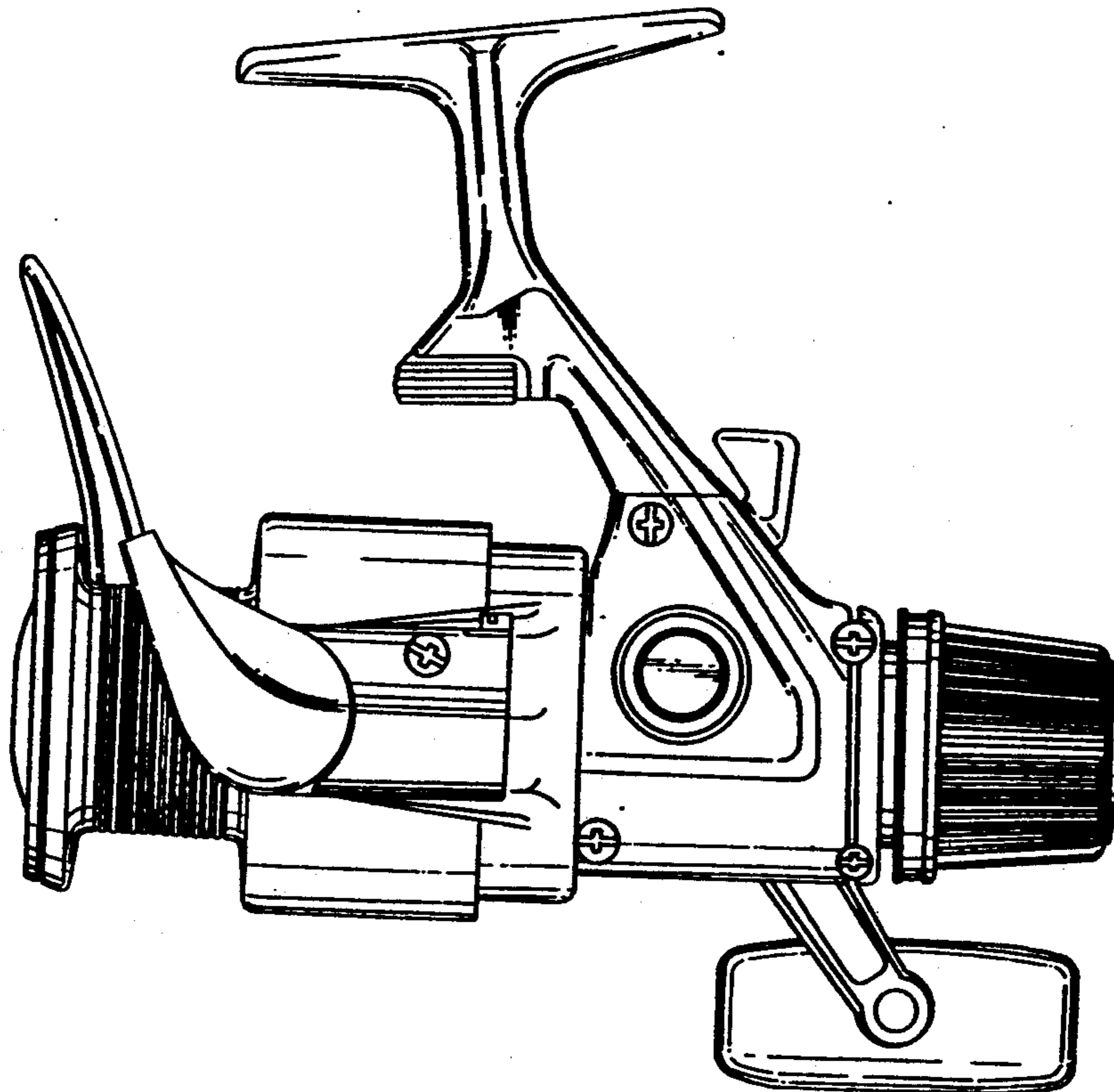


FIG. 1

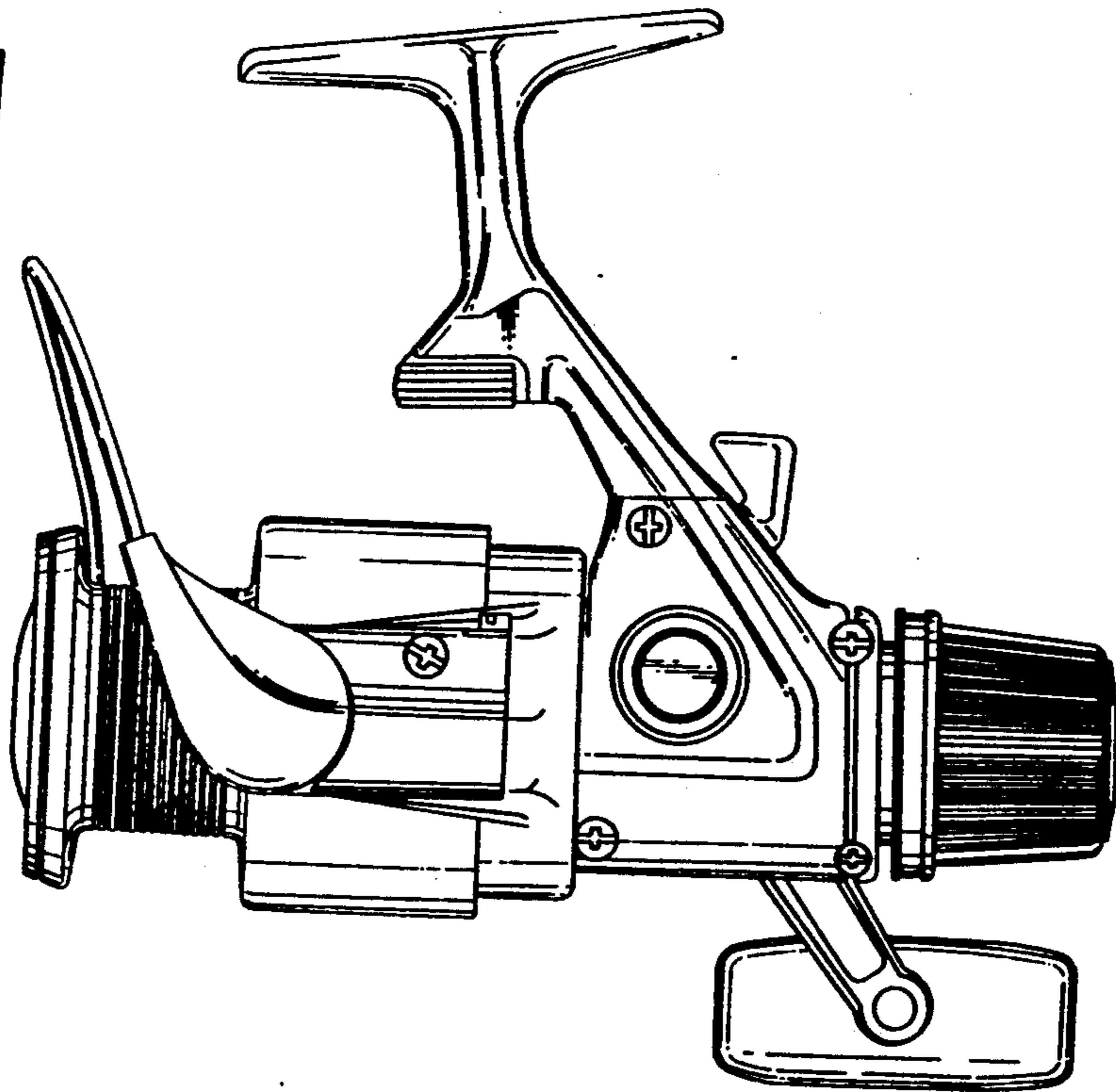
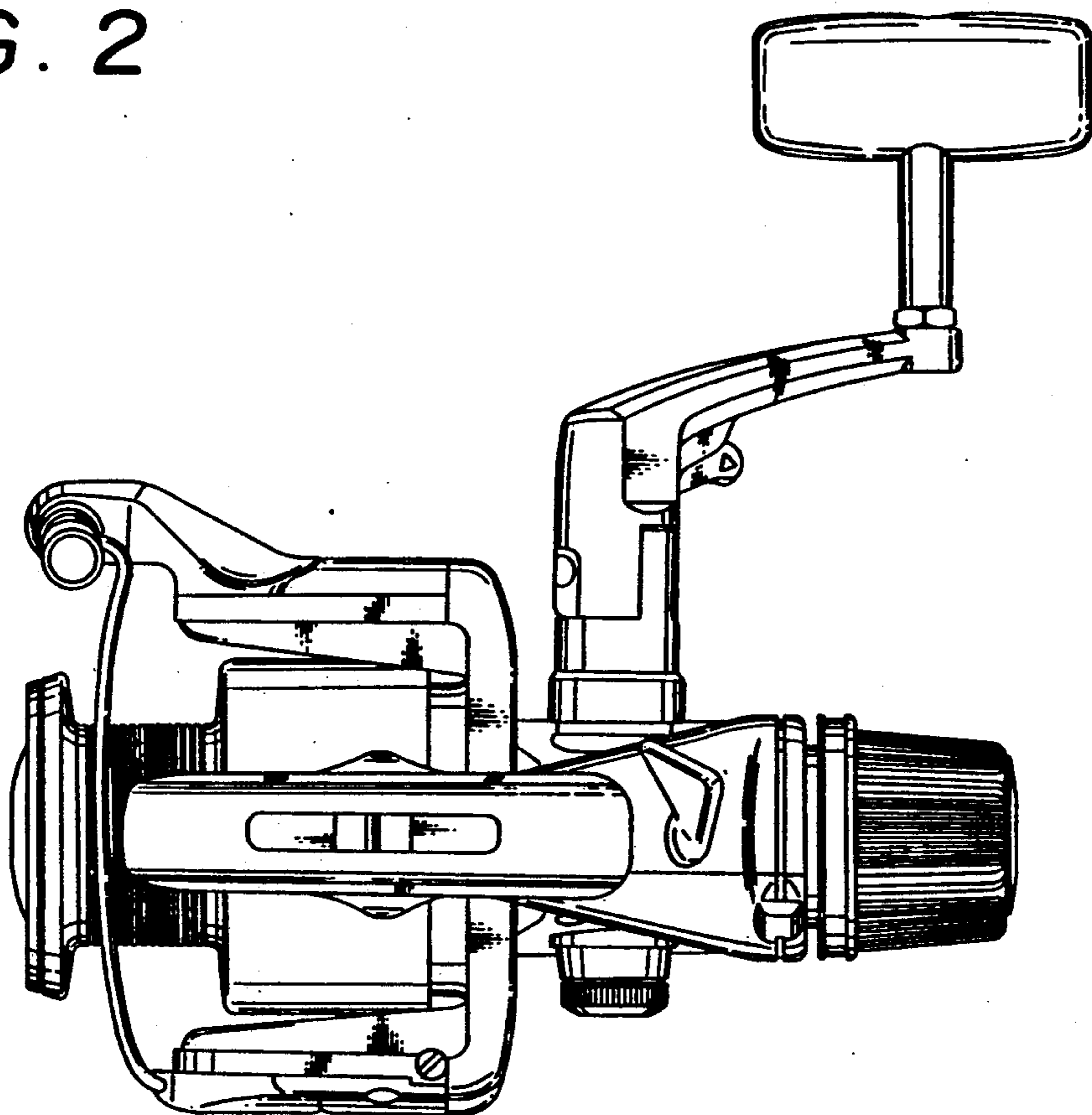


FIG. 2



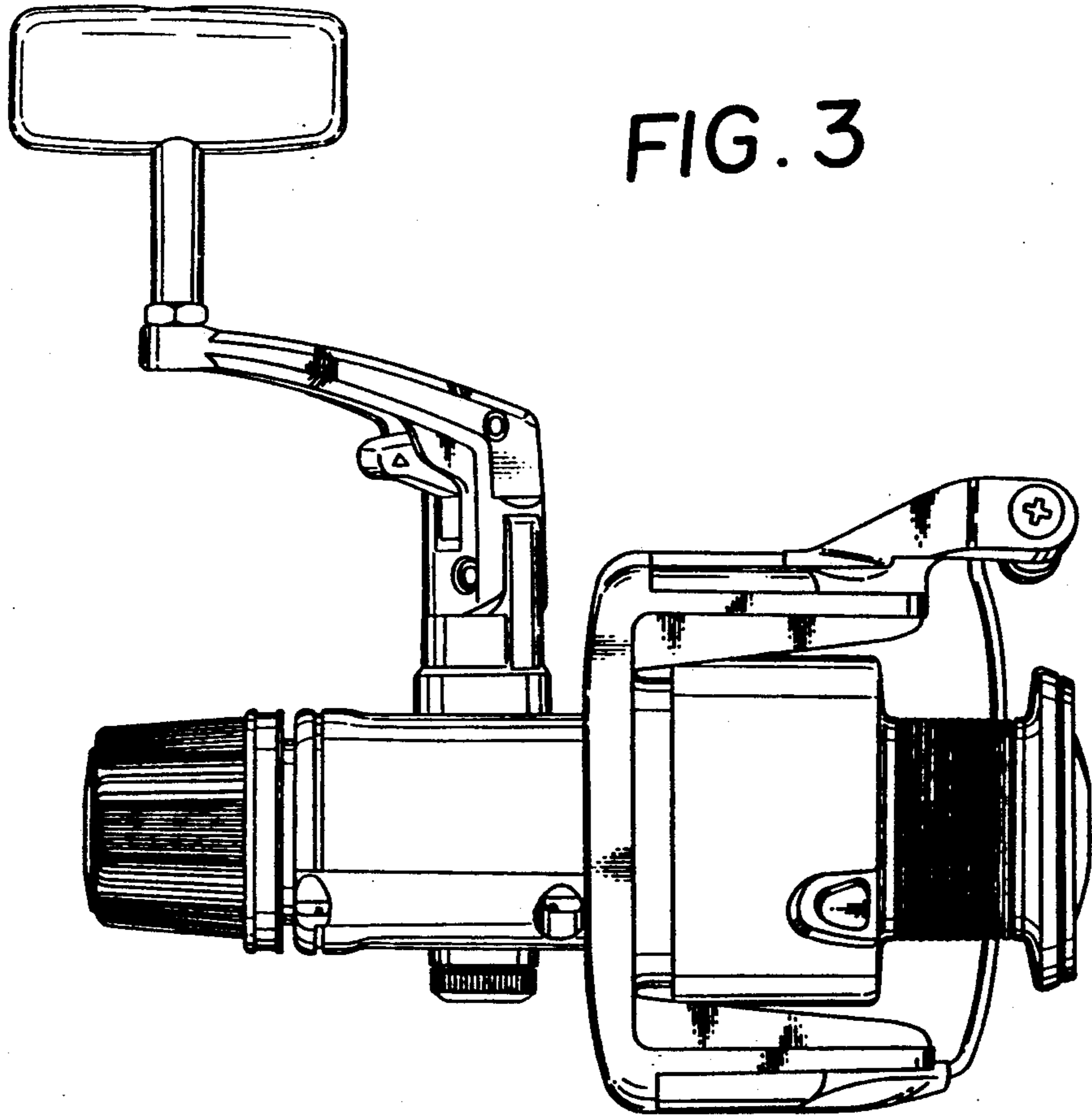
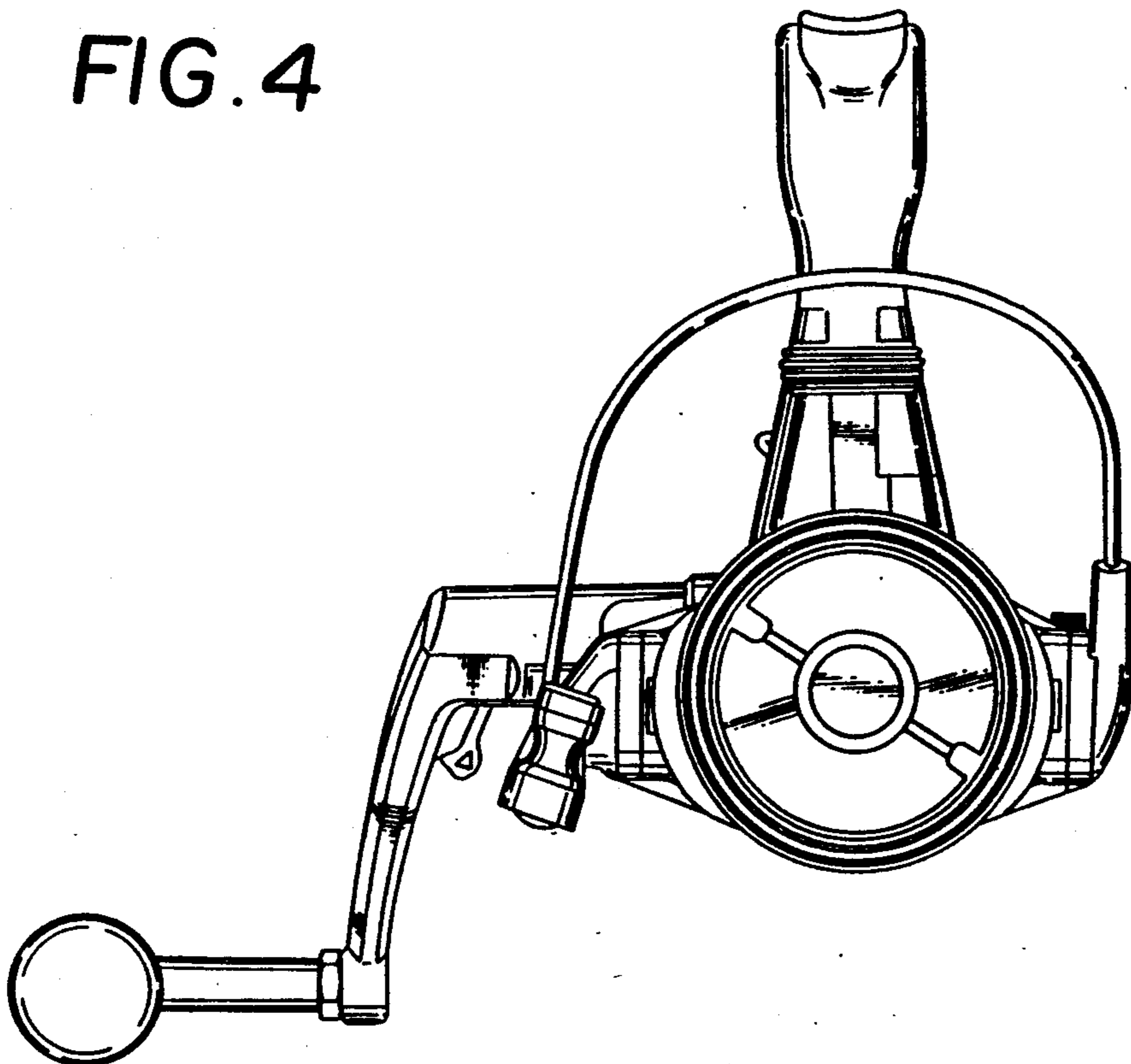


FIG. 4



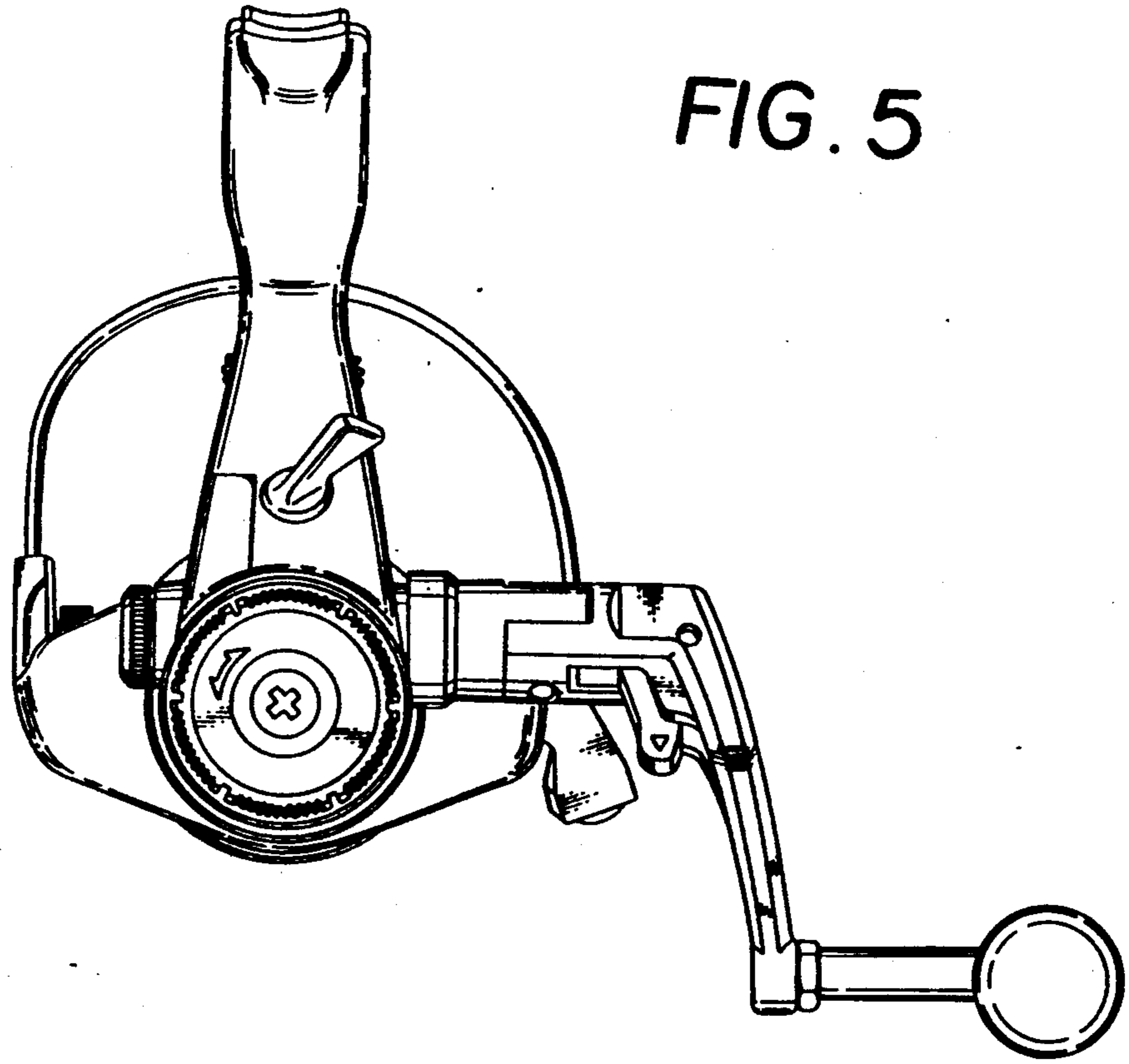


FIG. 6

