



US00D333493S

United States Patent [19]

[11] Patent Number: Des. 333,493

Sato

[45] Date of Patent: ** Feb. 23, 1993

[54] **ELECTRONIC GAME HOUSING**

[75] Inventor: Masanori Sato, Suwa, Japan

[73] Assignees: Seiko Epson Corporation, Tokyo;
Hudson-Soft Co., Ltd., Hokkaido,
both of Japan

[**] Term: 14 Years

[21] Appl. No.: 796,126

[22] Filed: Nov. 20, 1991

[30] **Foreign Application Priority Data**

May 20, 1991 [JP]	Japan	3-14573
[52] U.S. Cl.	D21/13	
[58] Field of Search	D21/13, 48;	
		273/433-439, 148 B, DIG. 28;	D14/124, 126,
			125, 114

[56] **References Cited**

U.S. PATENT DOCUMENTS

D. 275,971	10/1984	Yokoi	D21/13
D. 310,372	9/1990	Kimbrough et al.	D14/124 X
D. 316,714	5/1991	Matsumoto	D14/126
4,830,328	5/1989	Takach, Jr. et al.	...	273/DIG. 28 X
4,937,564	6/1990	Oberg	273/438 X

OTHER PUBLICATIONS

Hong Kong Enterprise, Dec. 1980, p. 190, top of the page.

Home Mechanix, Jul. 1989, p. 75, as shown.
Hong Kong Enterprise, Dec. 1984, p. 92 top right of the page.

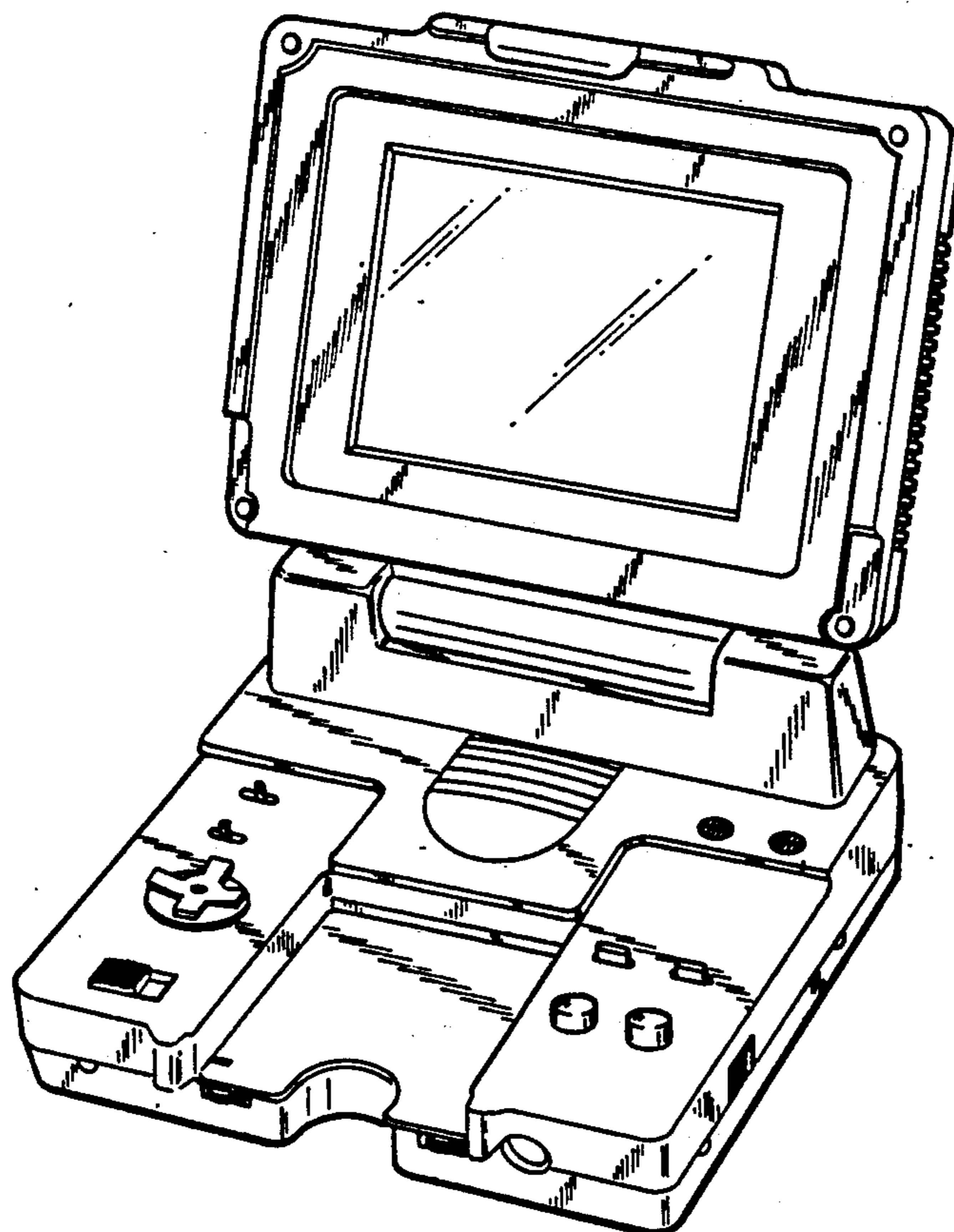
Primary Examiner—Bernard Ansher
Assistant Examiner—Prabhakar Deshmukh
Attorney, Agent, or Firm—W. Douglas Carothers, Jr.

[57] **CLAIM**

The ornamental design for electronic game housing, as shown and described.

DESCRIPTION

FIG. 1 is a perspective view of an electronic game housing showing my new design;
 FIG. 2 is a perspective view thereof in open position;
 FIG. 3 is a front elevational view thereof;
 FIG. 4 is a left side elevational view thereof;
 FIG. 5 is a rear elevational view thereof;
 FIG. 6 is a right side elevational view thereof;
 FIG. 7 is a top plan view thereof;
 FIG. 8 is a bottom plan view thereof;
 FIG. 9 is a front elevational view thereof; with upper portion removed for clarity of illustration;
 FIG. 10 is a left side elevational view of FIG. 2;
 FIG. 11 is a right side elevational view of FIG. 2;
 FIG. 12 is a top plan view of FIG. 9; and,
 FIG. 13 is a front elevational of the upper portion of the electronic game housing, with lower portion removed for clarity of illustration.



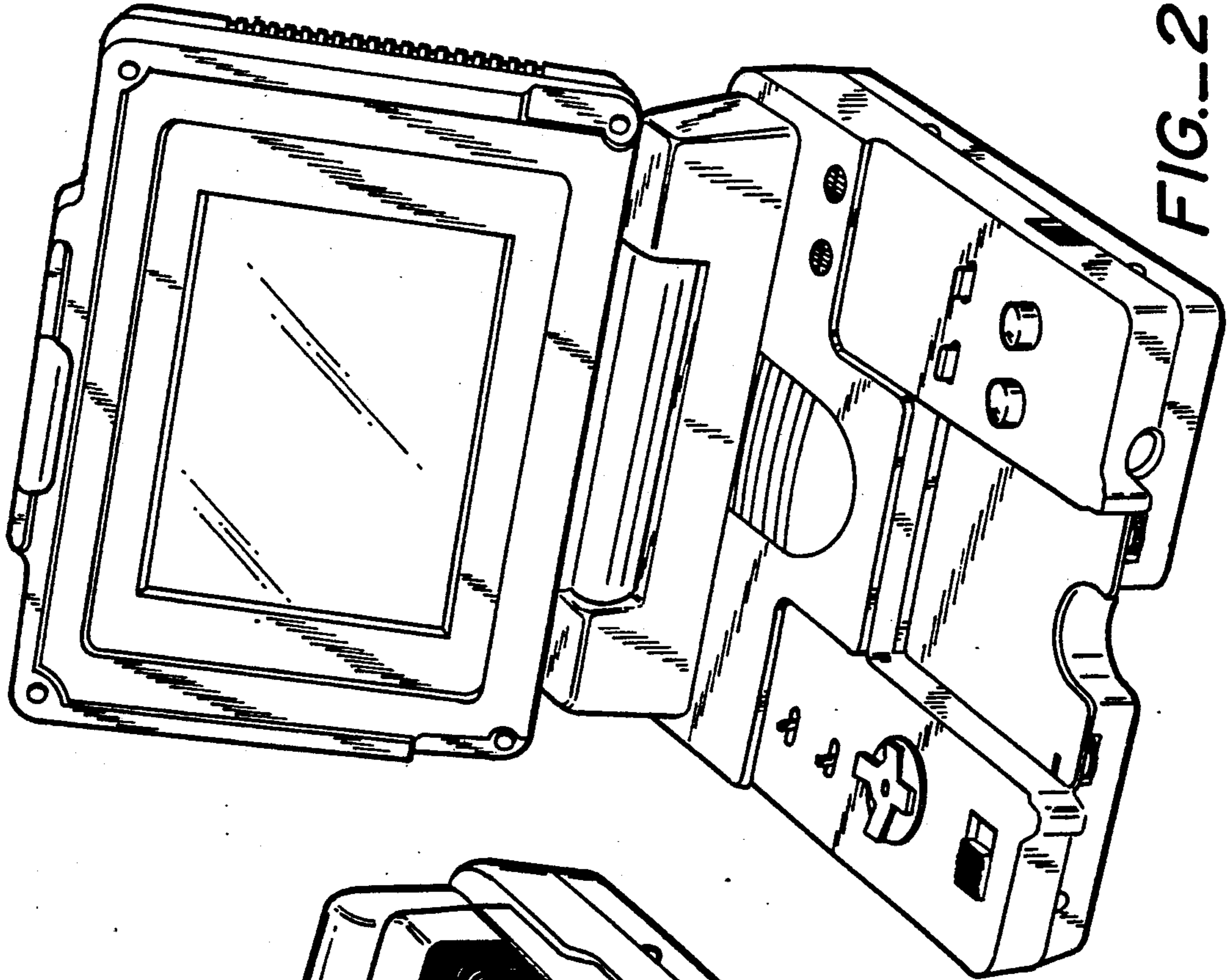


FIG.-2

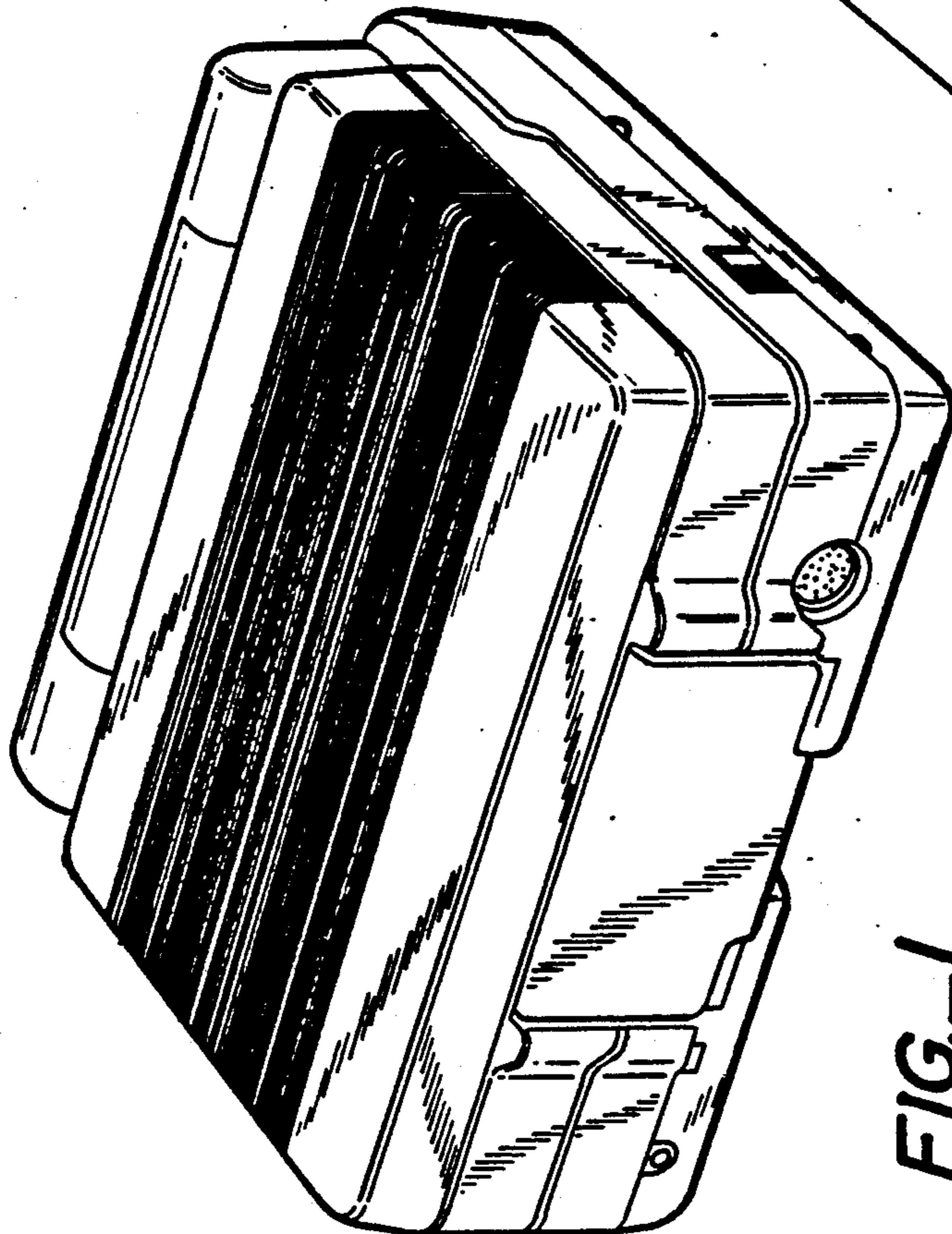


FIG.-1

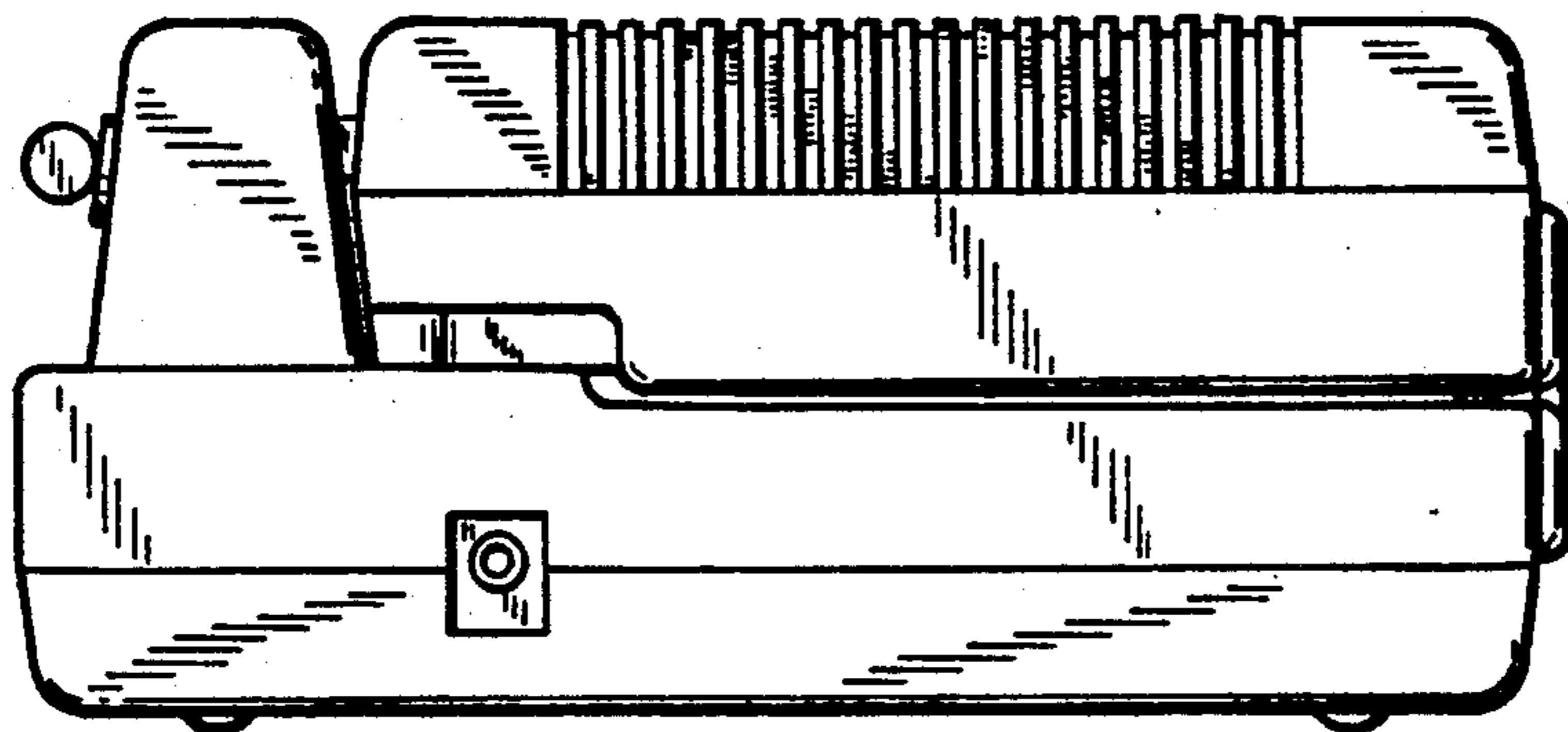


FIG. 4

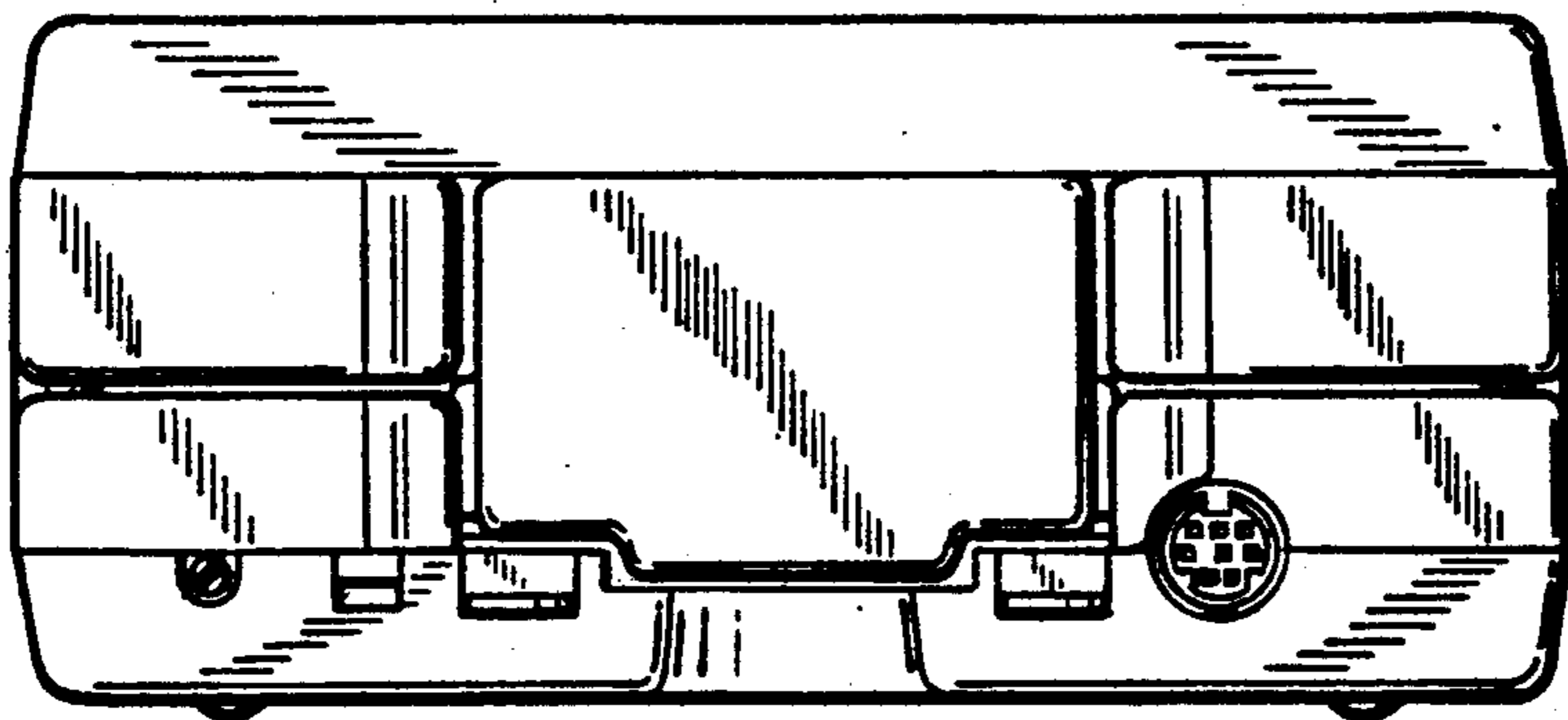


FIG. 3

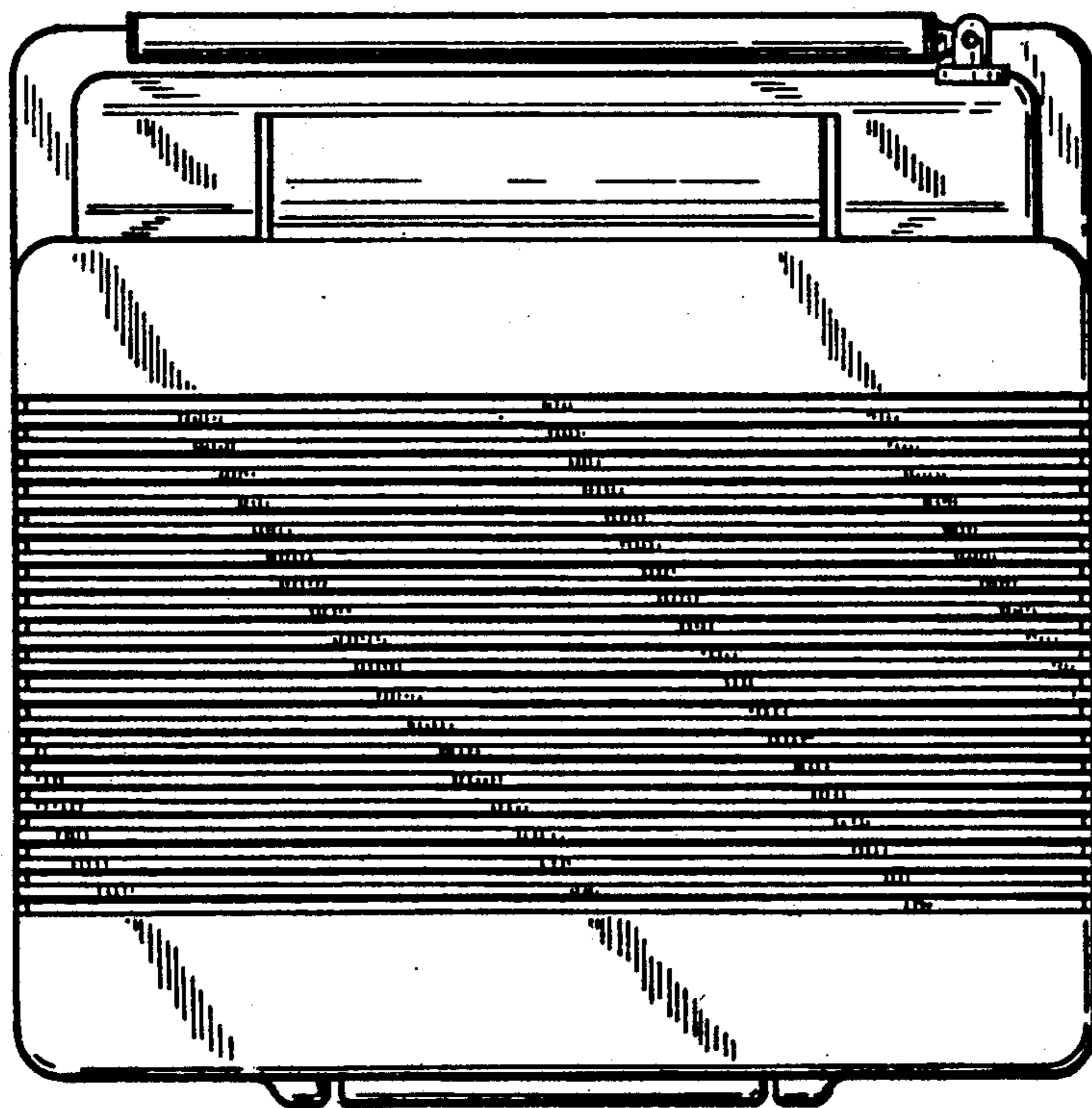


FIG. 7

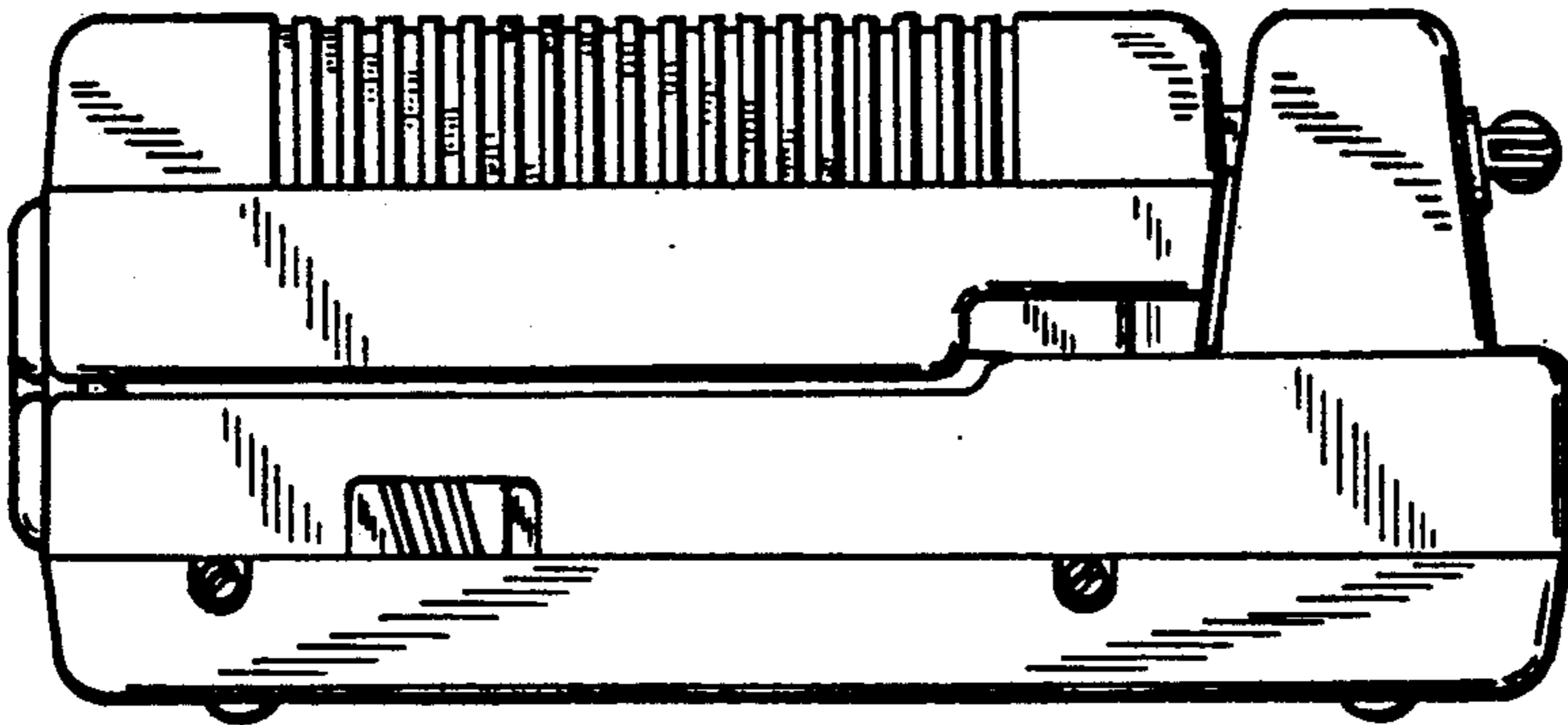


FIG._6

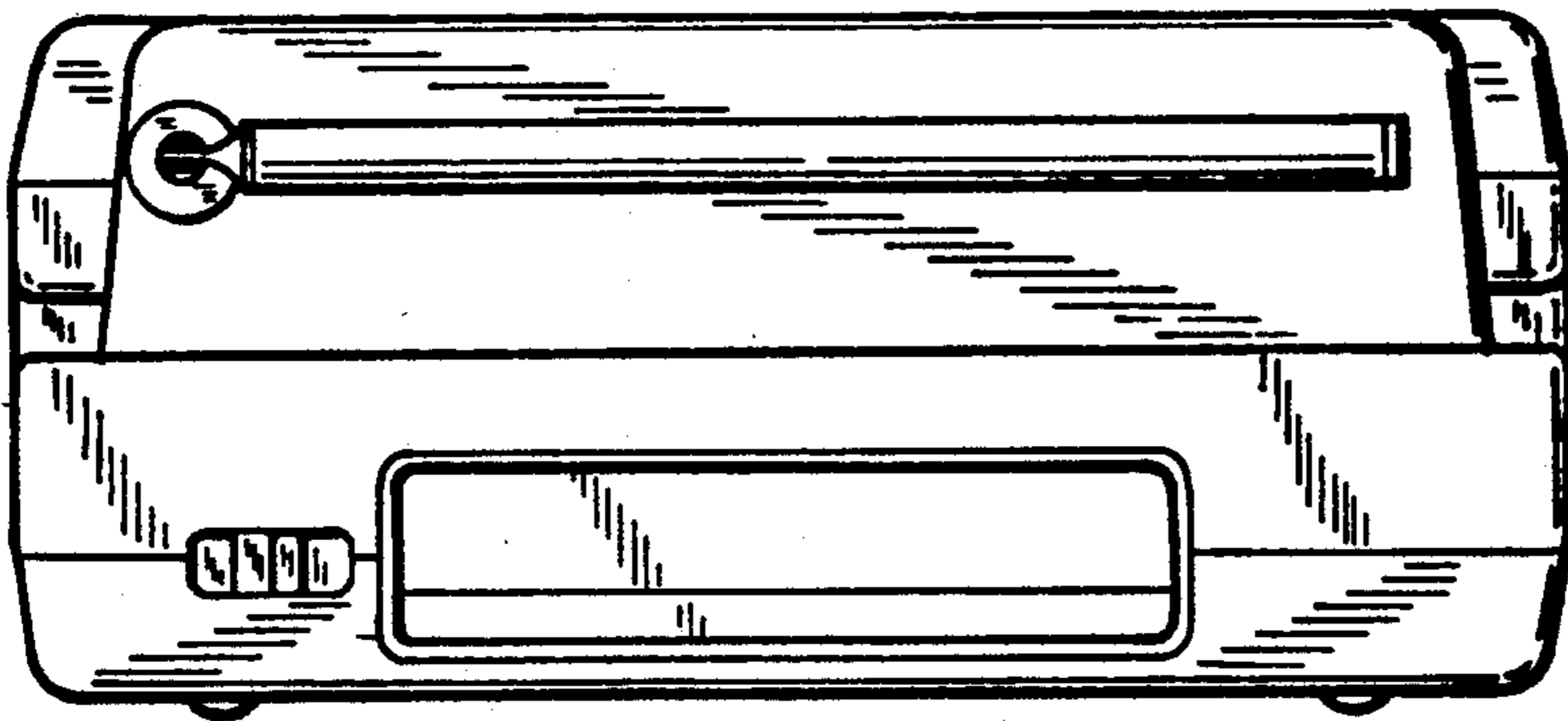


FIG._5

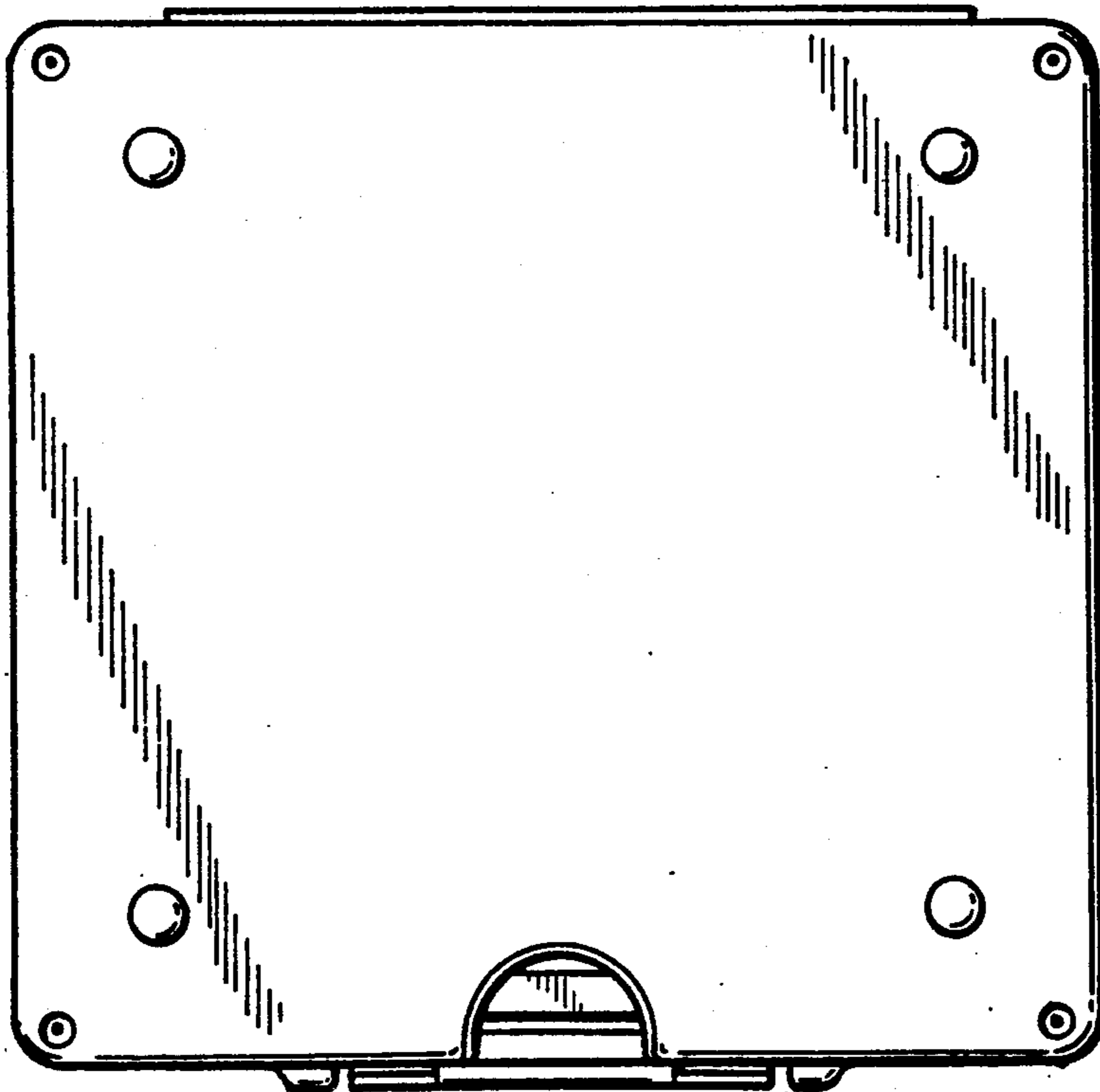


FIG._8

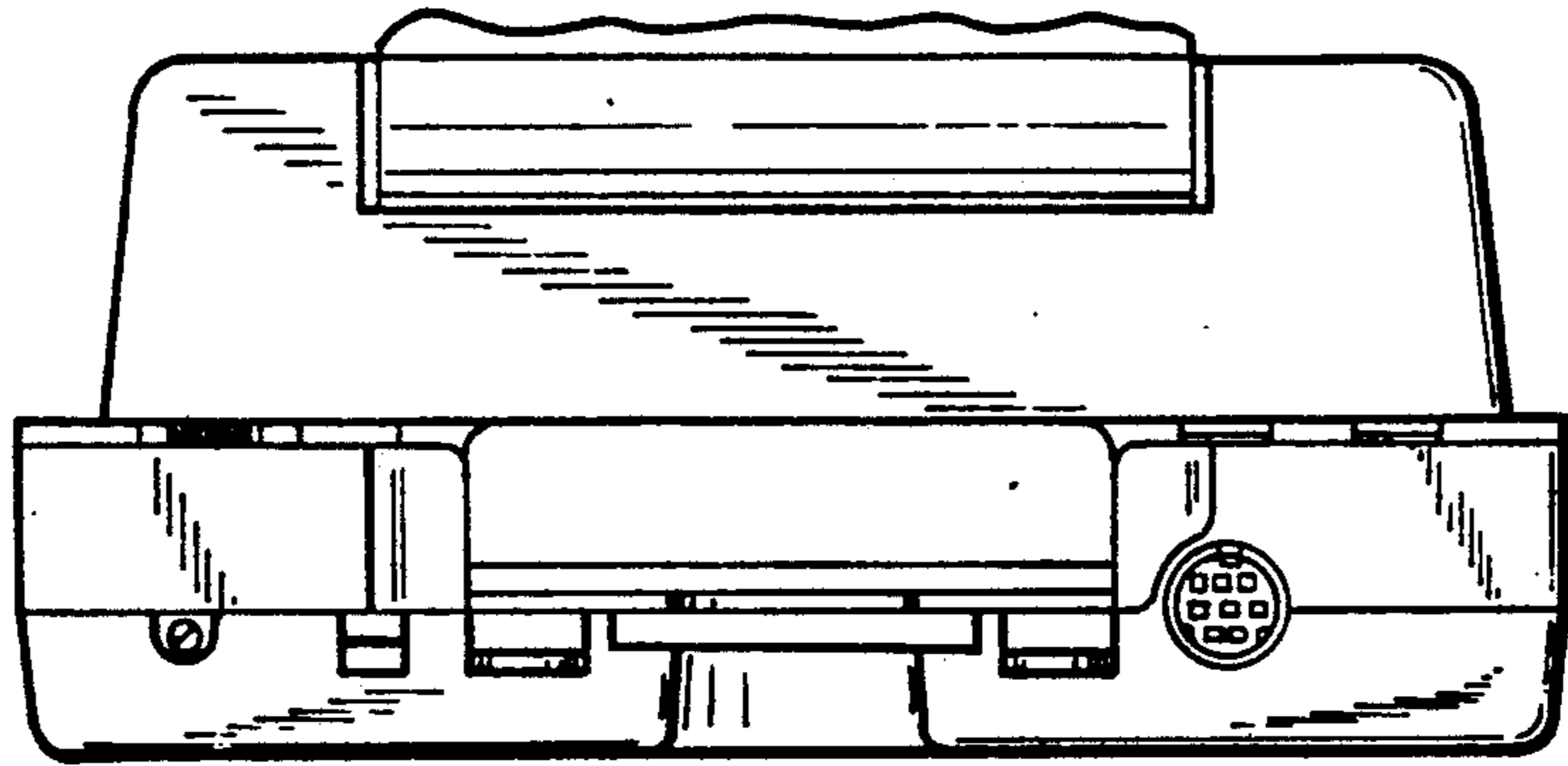


FIG. 9

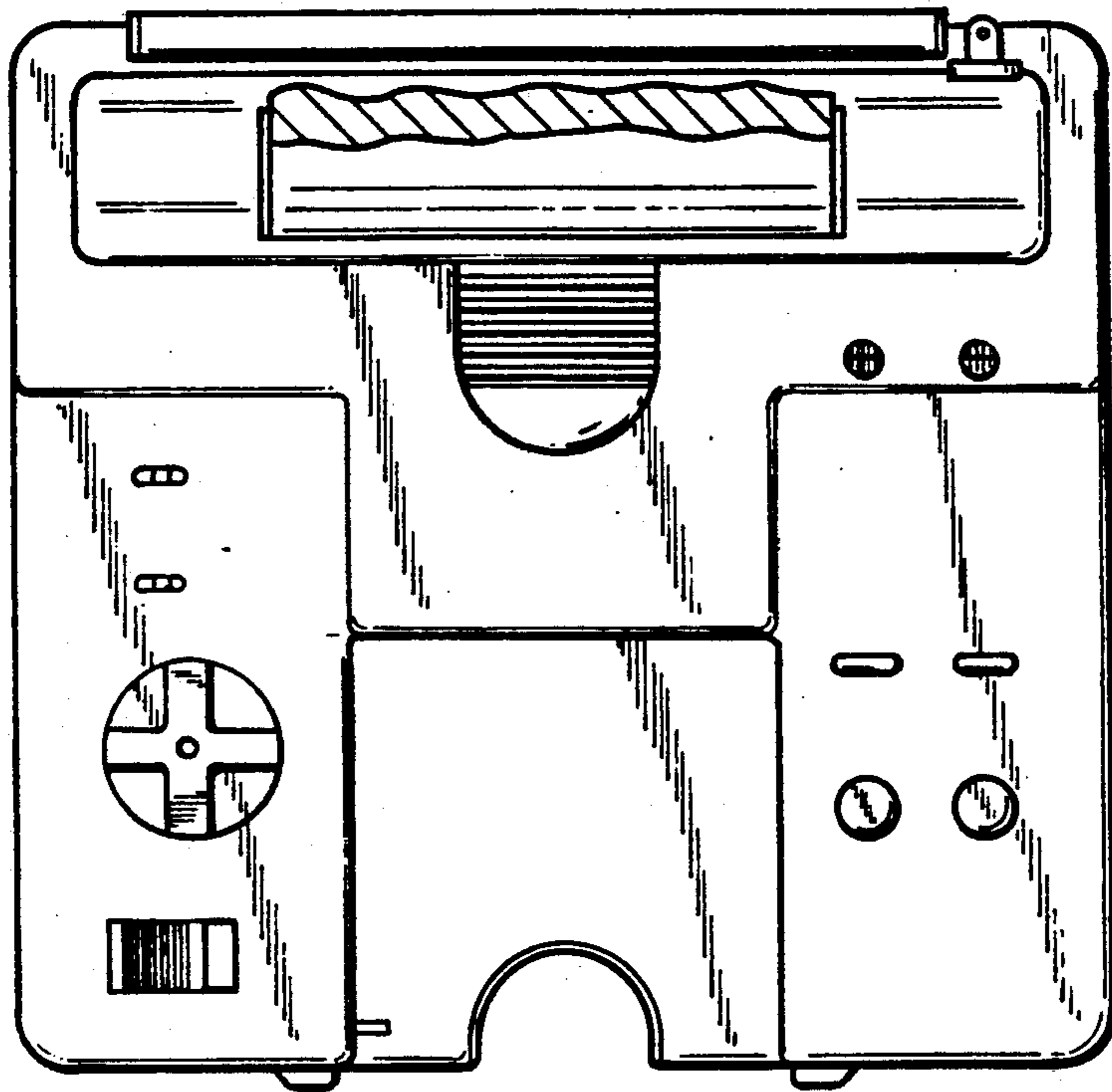


FIG. 12

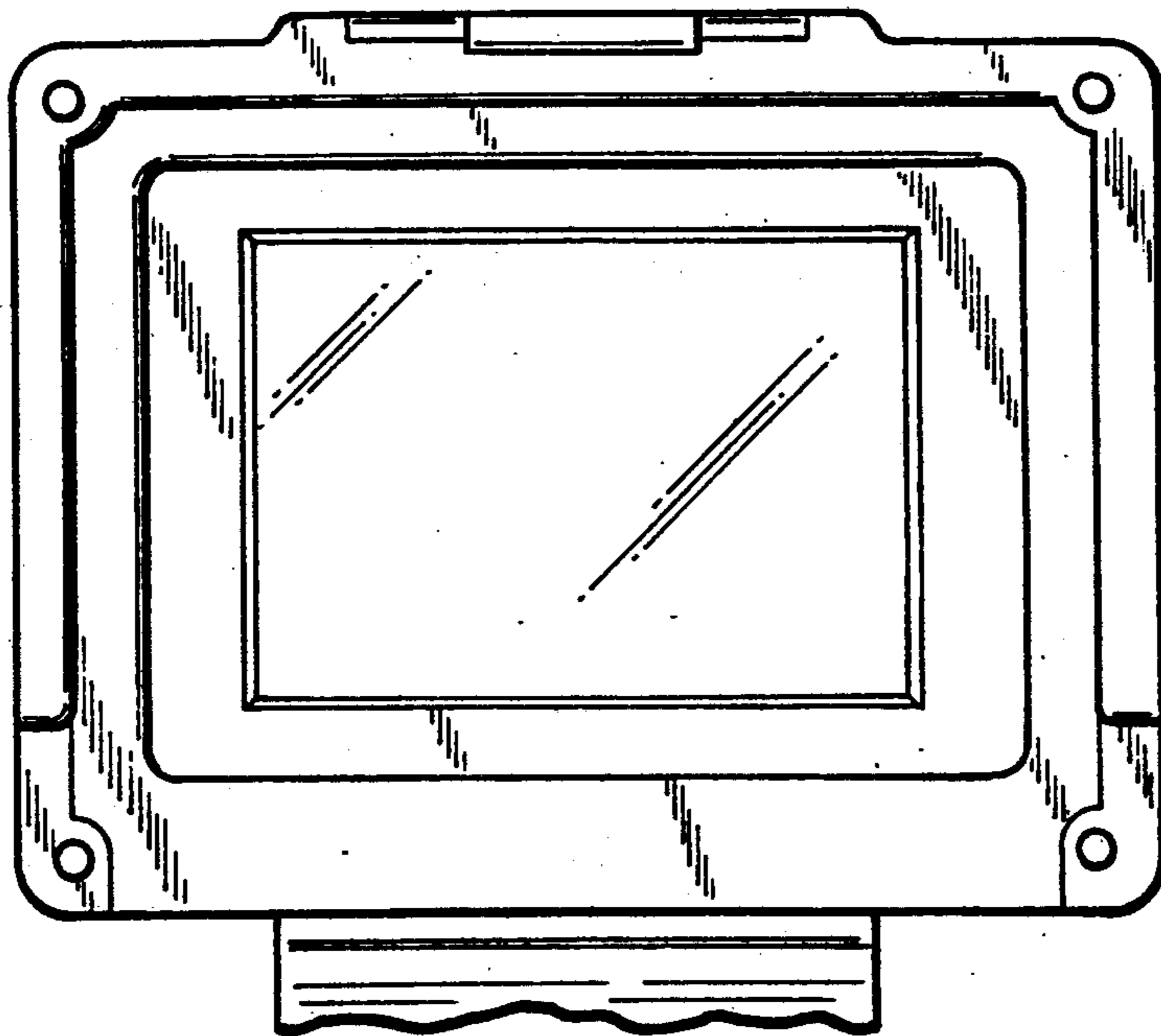


FIG. 13

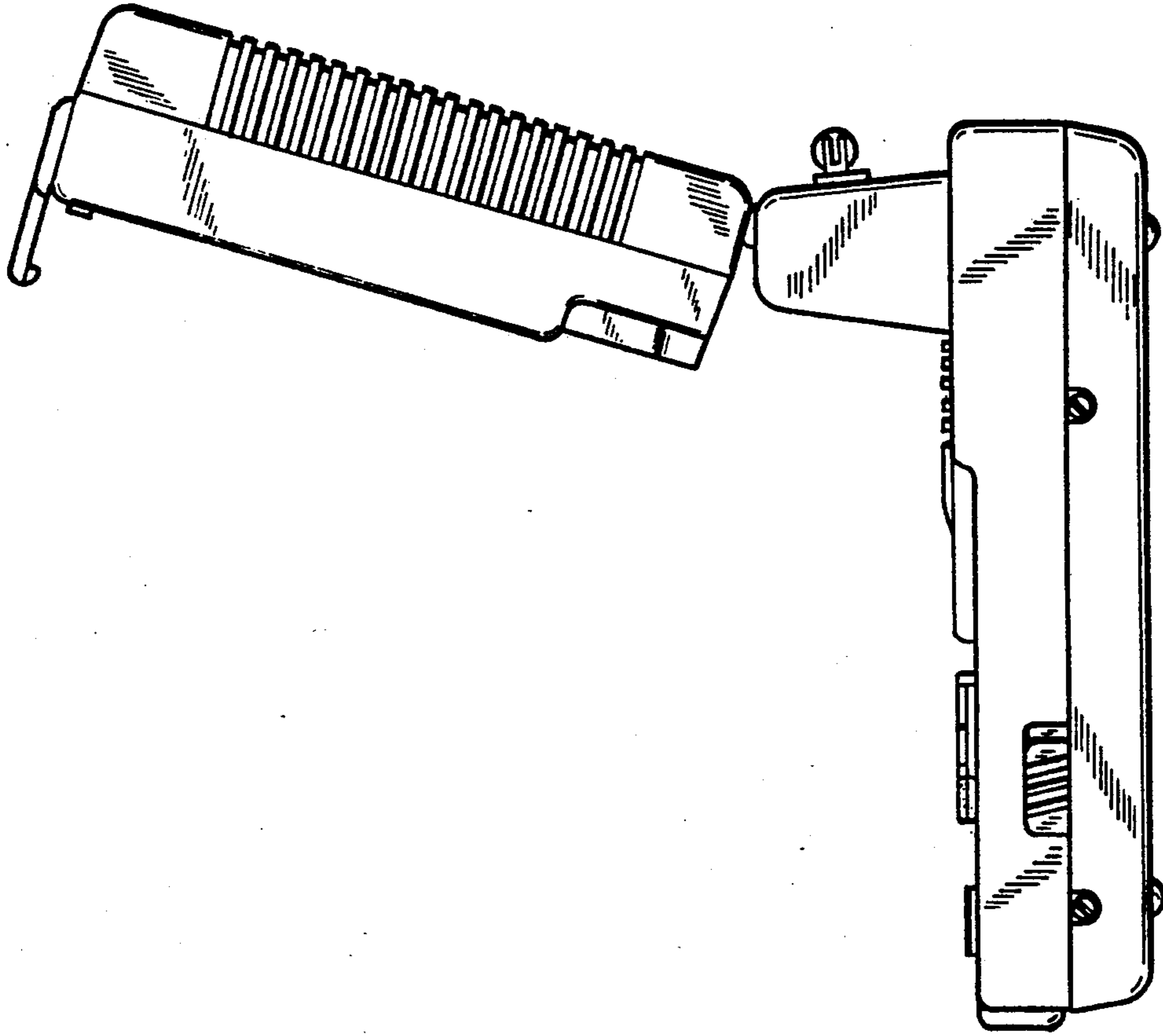


FIG. 11

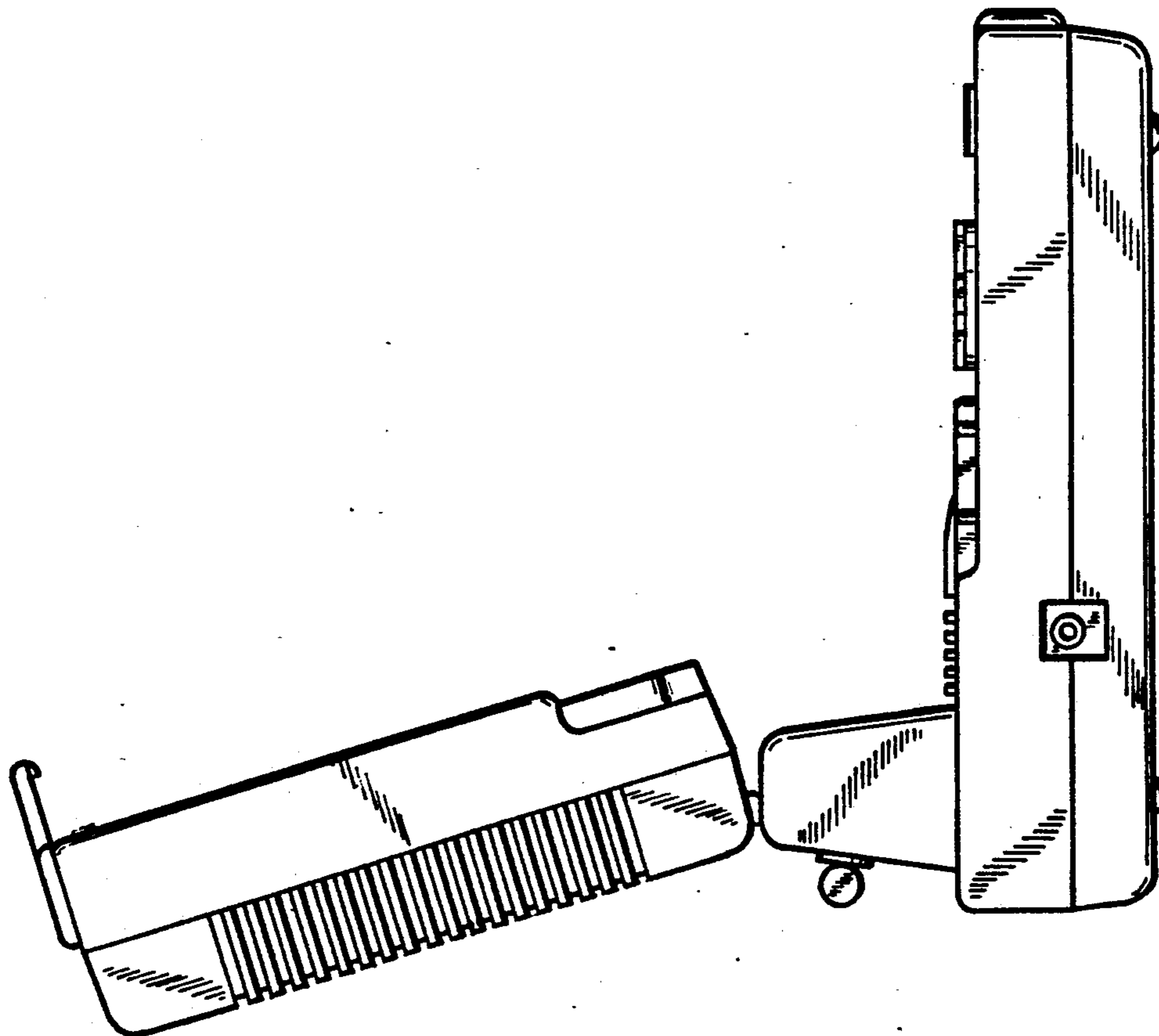


FIG. 10