



US00D333492S

# United States Patent [19] Paredes

[11] Patent Number: **Des. 333,492**  
[45] Date of Patent: **\*\* Feb. 23, 1993**

## [54] GAME TABLE

[76] Inventor: **Robert Paredes, 5 E. Halley La.,  
Central Islip, N.Y. 11722-2205**

[\*\*] Term: **14 Years**

[21] Appl. No.: **564,548**

[22] Filed: **Aug. 9, 1990**

[52] U.S. Cl. .... **D21/5**

[58] Field of Search ..... **D21/14-36,  
D21/54, 5, 7; 273/236-285**

## [56] References Cited

### U.S. PATENT DOCUMENTS

- D. 107,744 1/1938 Centerbar ..... D21/5
- D. 234,435 3/1975 Pineiro, Jr. .... D21/5
- D. 276,448 11/1984 Kim et al. .... D21/5
- D. 305,705 1/1990 Stewart ..... D21/14
- 1,335,088 3/1920 Blumenfeld ..... 273/271
- 1,465,160 8/1923 DiLuchio ..... 273/271
- 3,781,013 12/1973 Von Meyer ..... 273/287
- 4,236,713 12/1980 Moreno .
- 4,534,565 8/1985 Hube .
- 4,534,566 8/1985 Ferris .
- 4,968,041 11/1990 Calvo ..... D21/5

### FOREIGN PATENT DOCUMENTS

- 0622555 1/1963 Belgium ..... 273/242
- 0028155 of 1909 United Kingdom ..... D21/210

## OTHER PUBLICATIONS

ES Lowe Co. Bookshelf Games, p. 3 "Odd + Even", lower right.

Popper Adult Games, p. 26 model 723, left side.

*Primary Examiner*—Bernard Ansher

*Assistant Examiner*—Sandra Morris

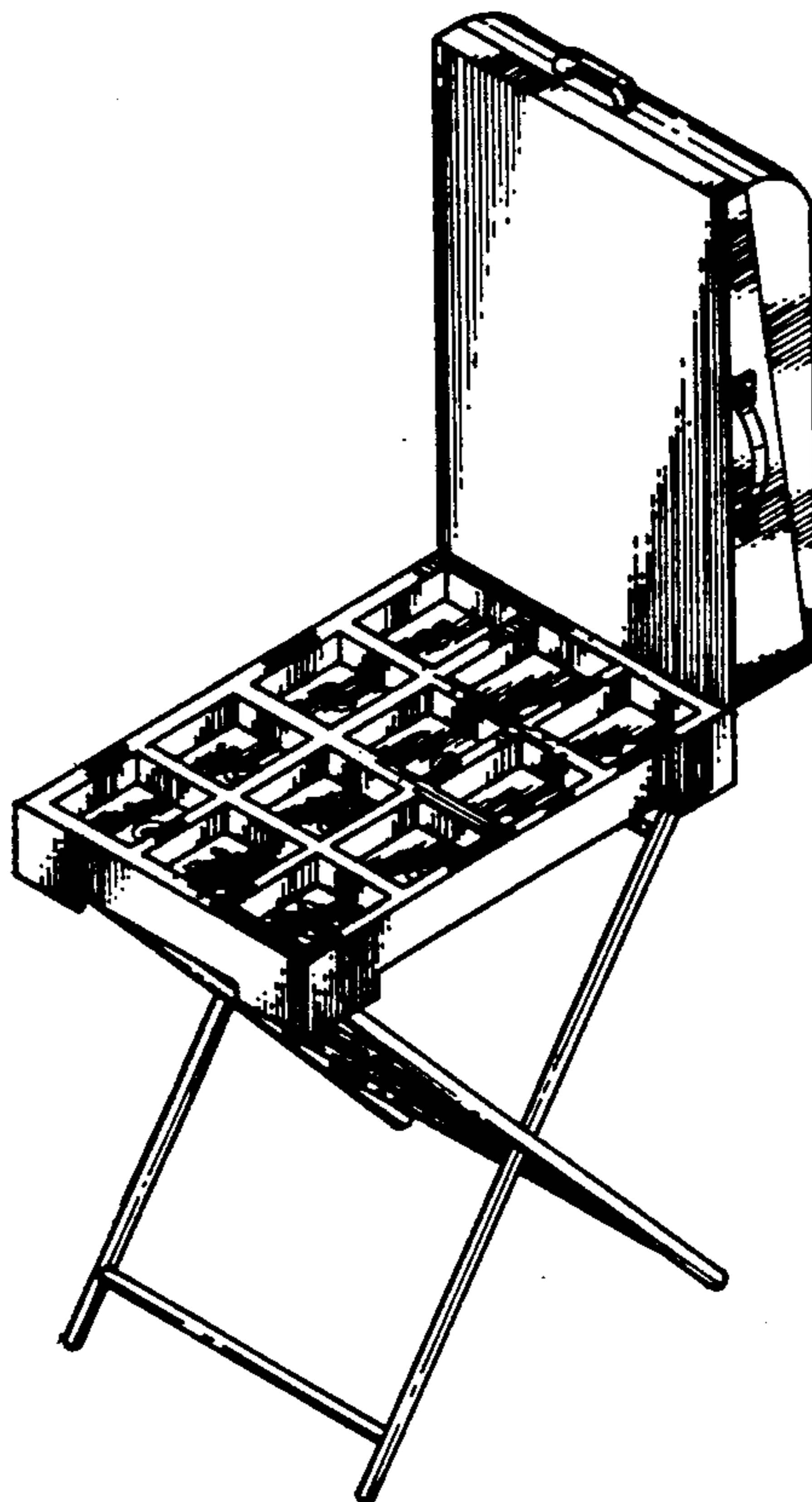
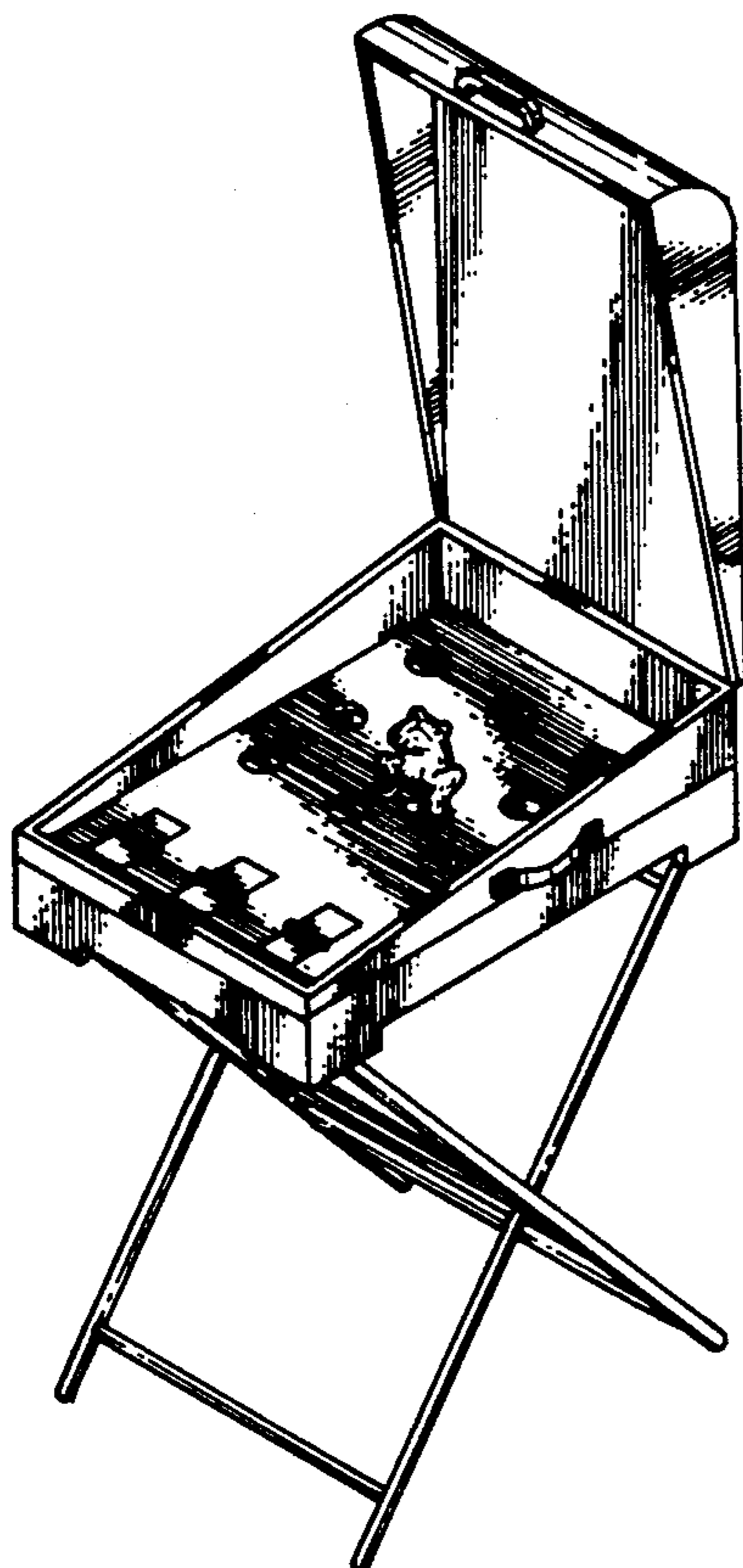
*Attorney, Agent, or Firm*—Terry M. Gernstein

## [57] CLAIM

The ornamental design for a game table, as shown and described.

## DESCRIPTION

FIG. 1 is a perspective view of a game table, showing my new design, shown in the closed position;  
 FIG. 2 is a right side elevational view thereof, the left side being a mirror image;  
 FIG. 3 is a front elevational view thereof;  
 FIG. 4 is a rear elevational view thereof;  
 FIG. 5 is a top plan view thereof;  
 FIG. 6 is a bottom view thereof;  
 FIG. 7 is a top plan view of the first level, shown unattached from the table for ease of illustration;  
 FIG. 8 is a top plan view of the second level, shown unattached from the table for ease of illustration;  
 FIG. 9 is a perspective view of the table in the partially open position, showing the first level; and,  
 FIG. 10 is a perspective view of the table in the fully open position, showing the second level.



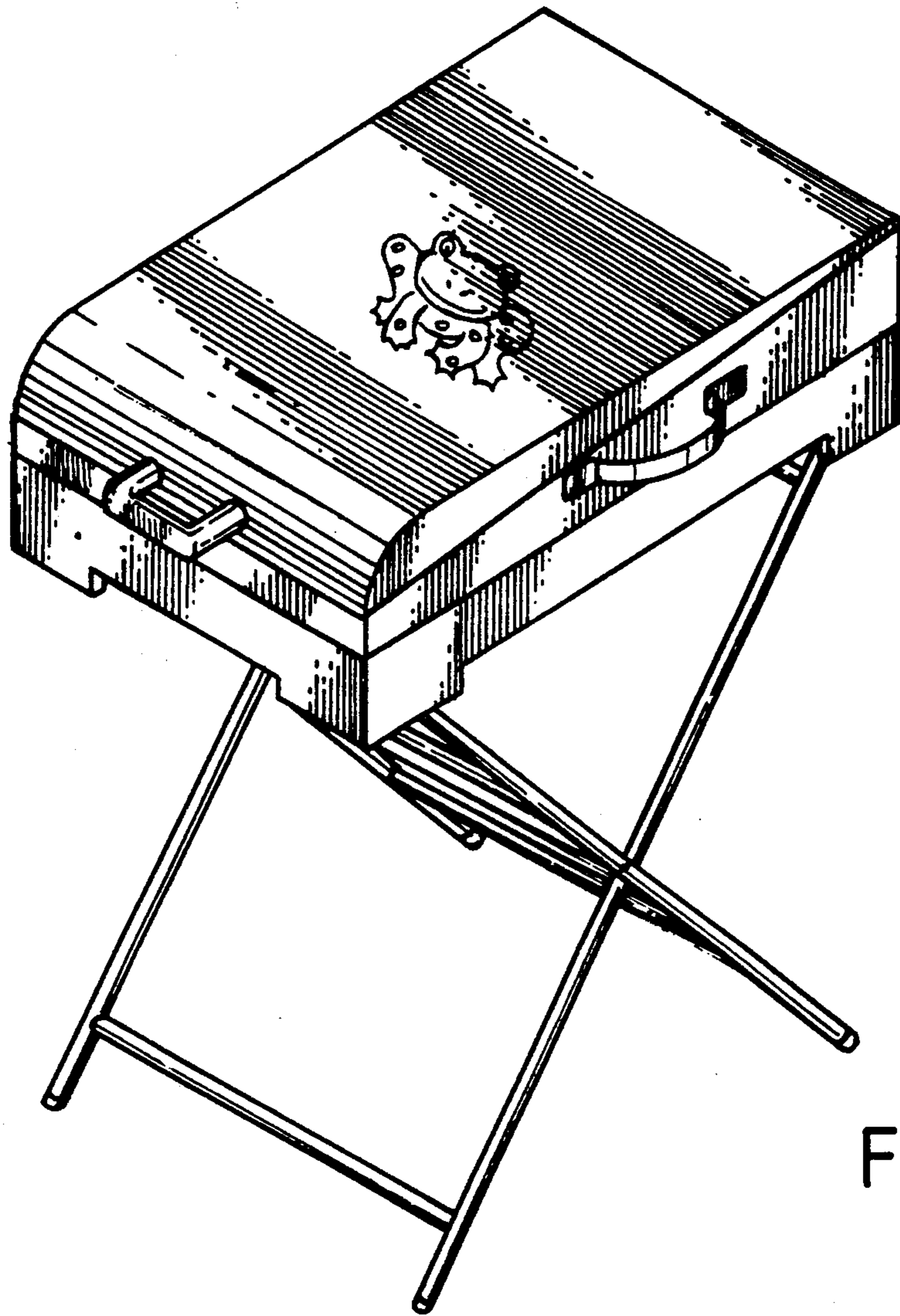


FIG. 1

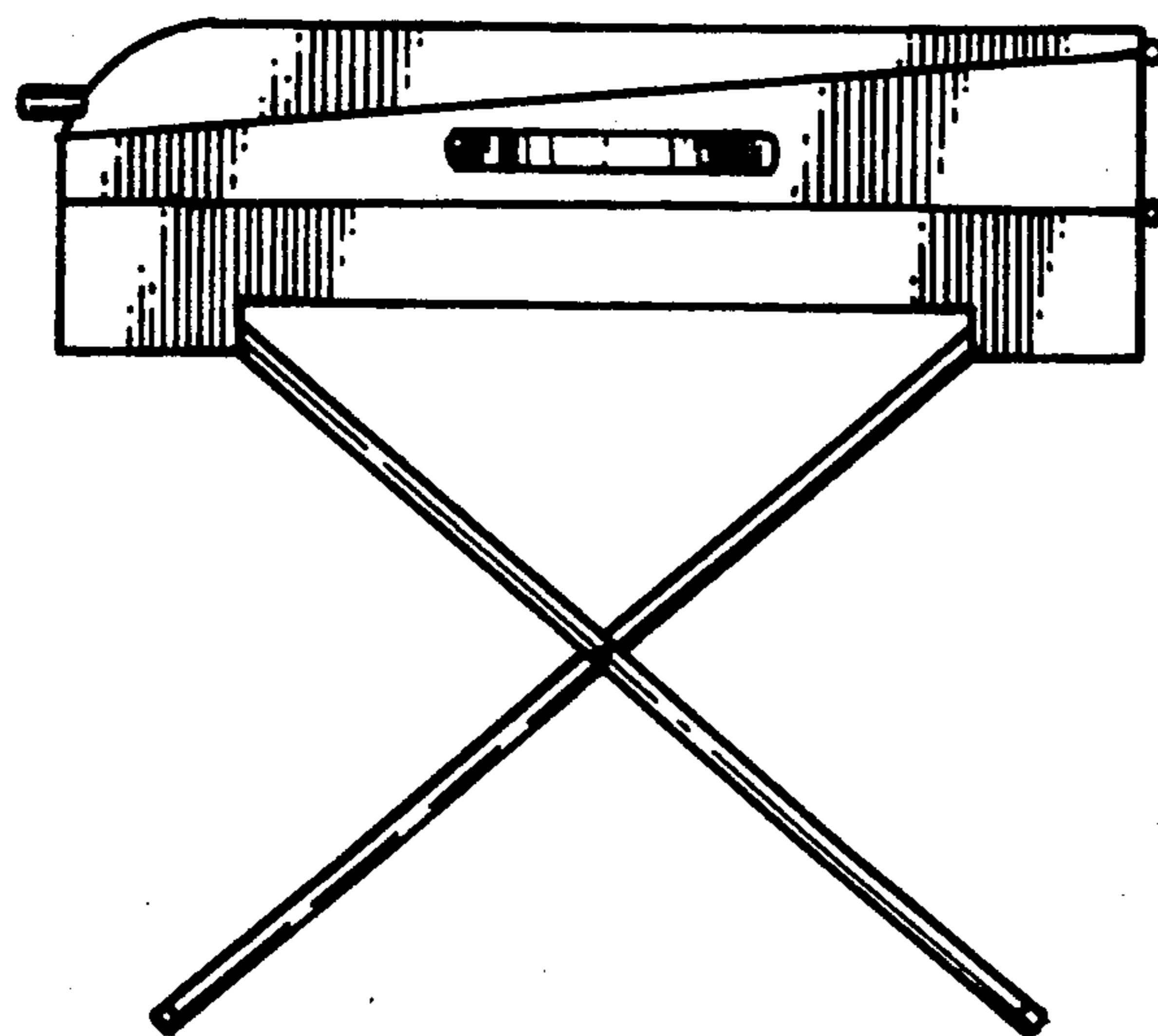


FIG. 2

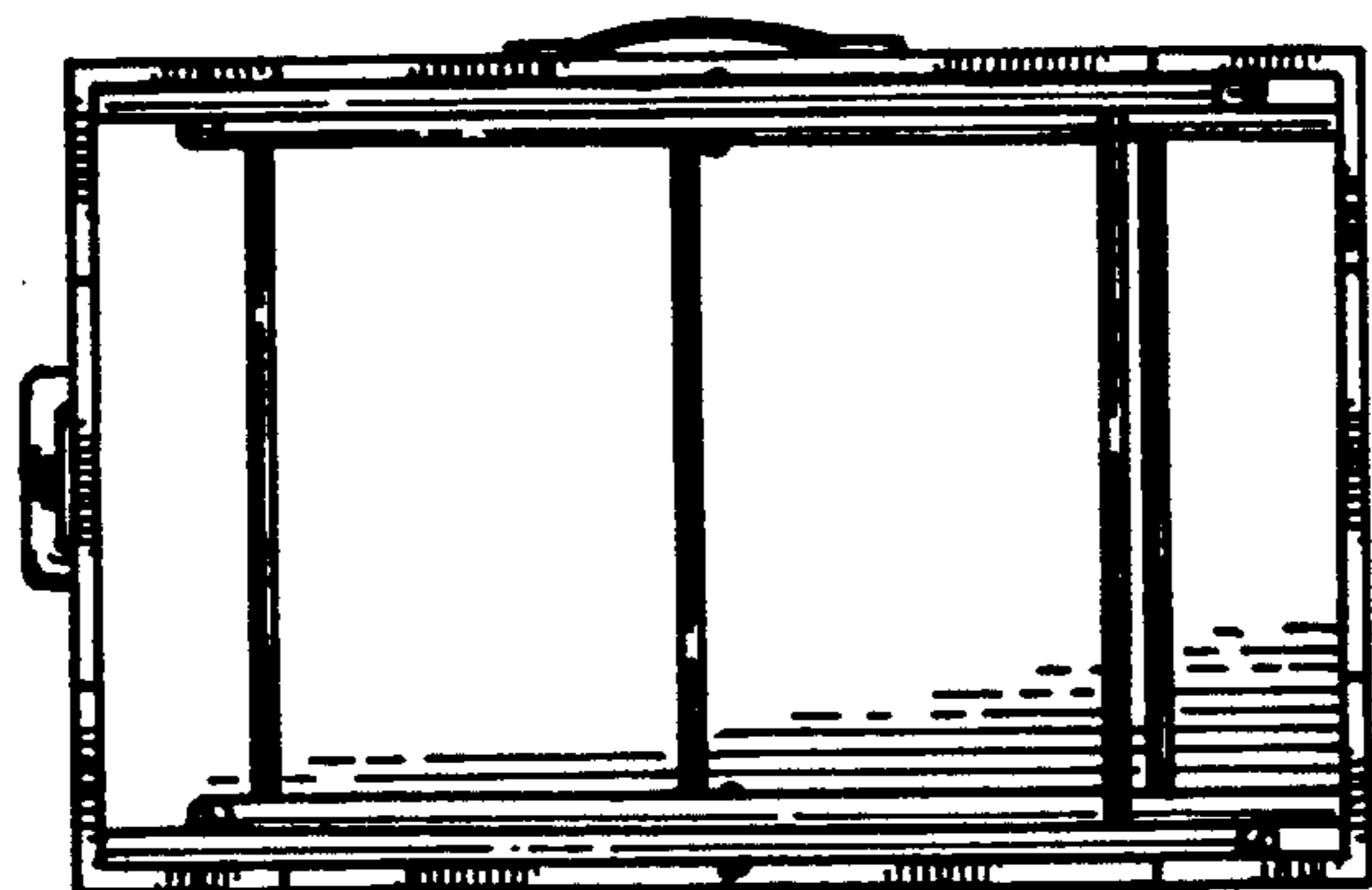


FIG. 6

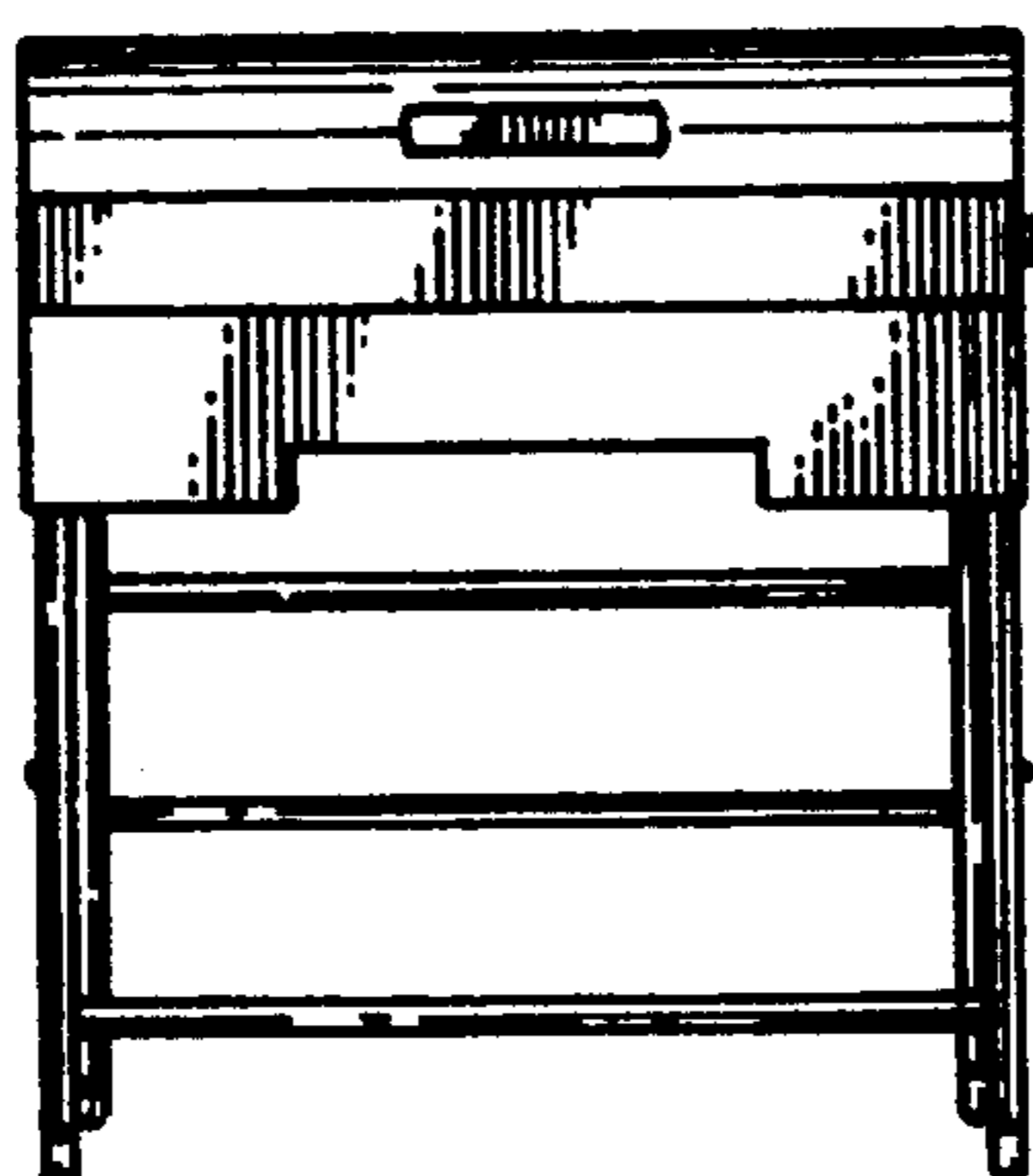


FIG. 3

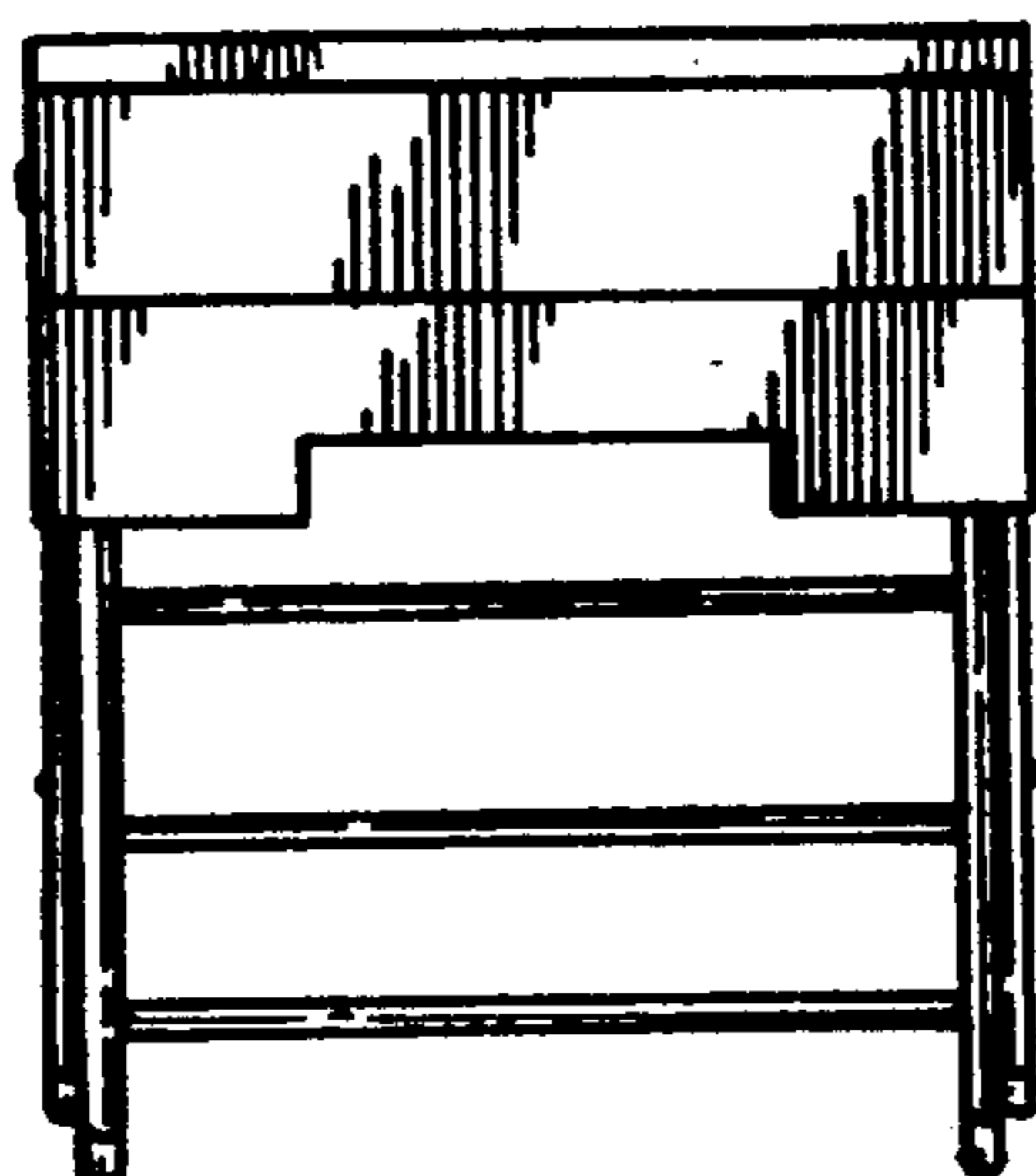


FIG. 4



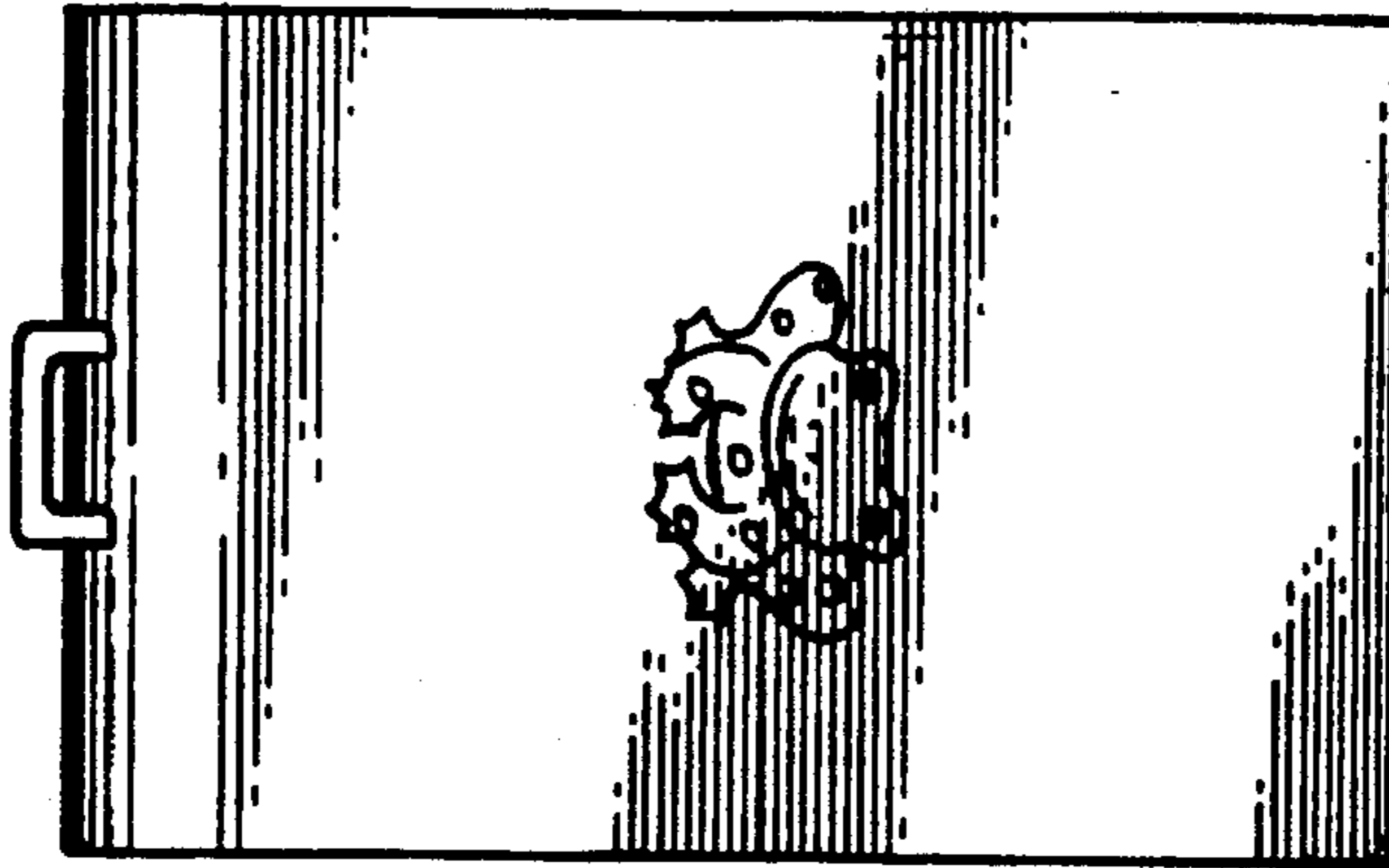


FIG. 5

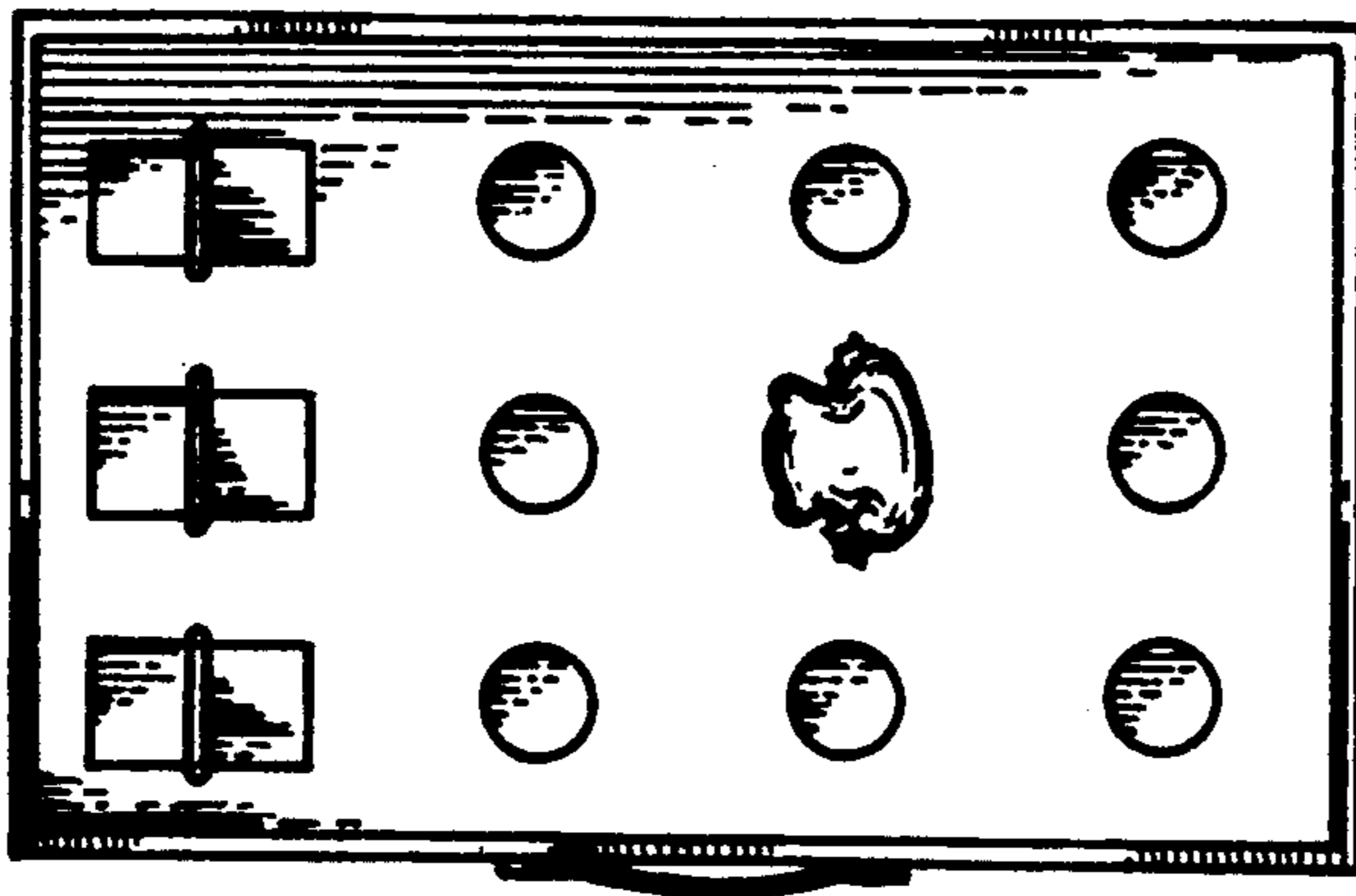


FIG. 7

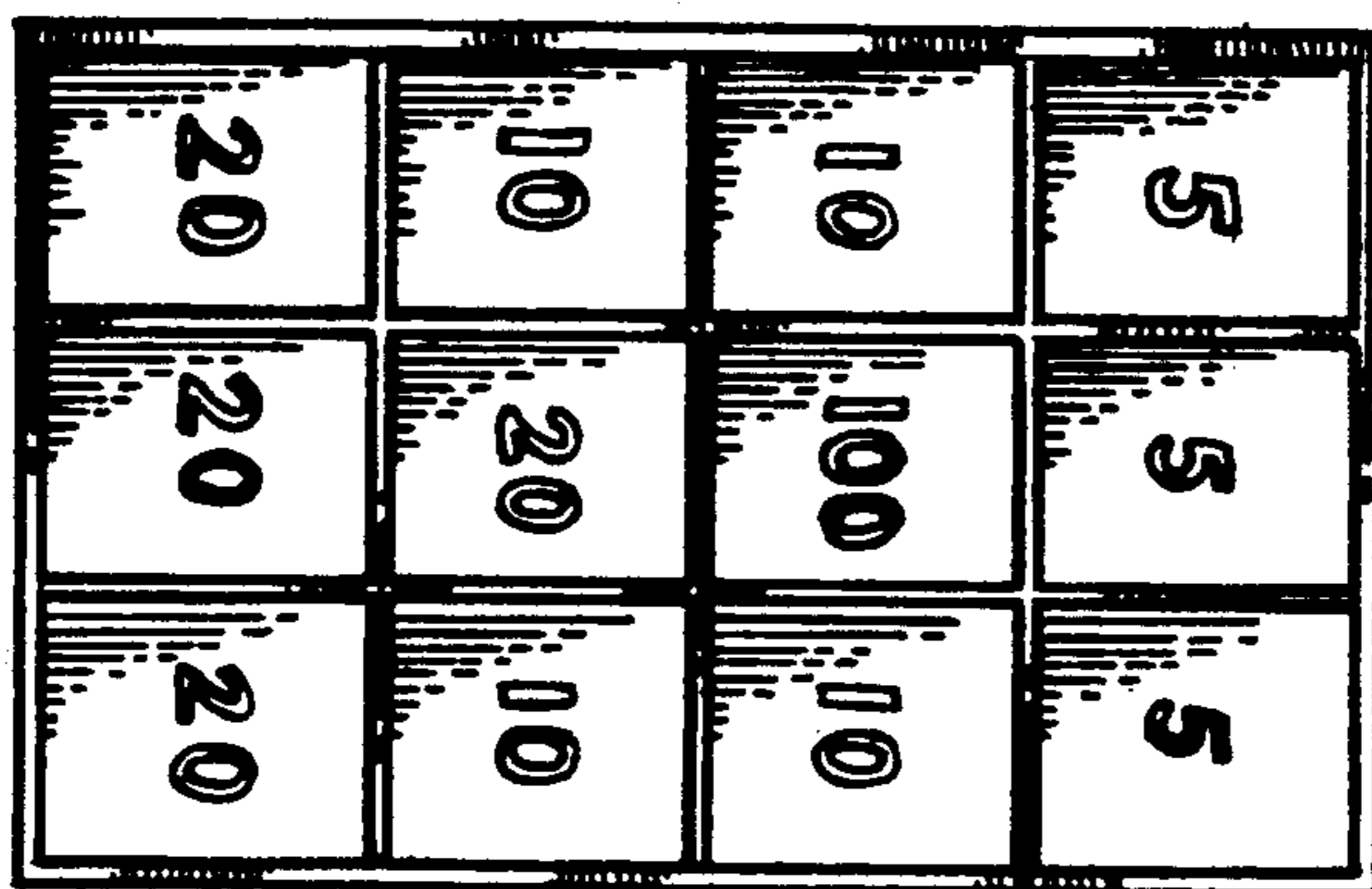


FIG. 8

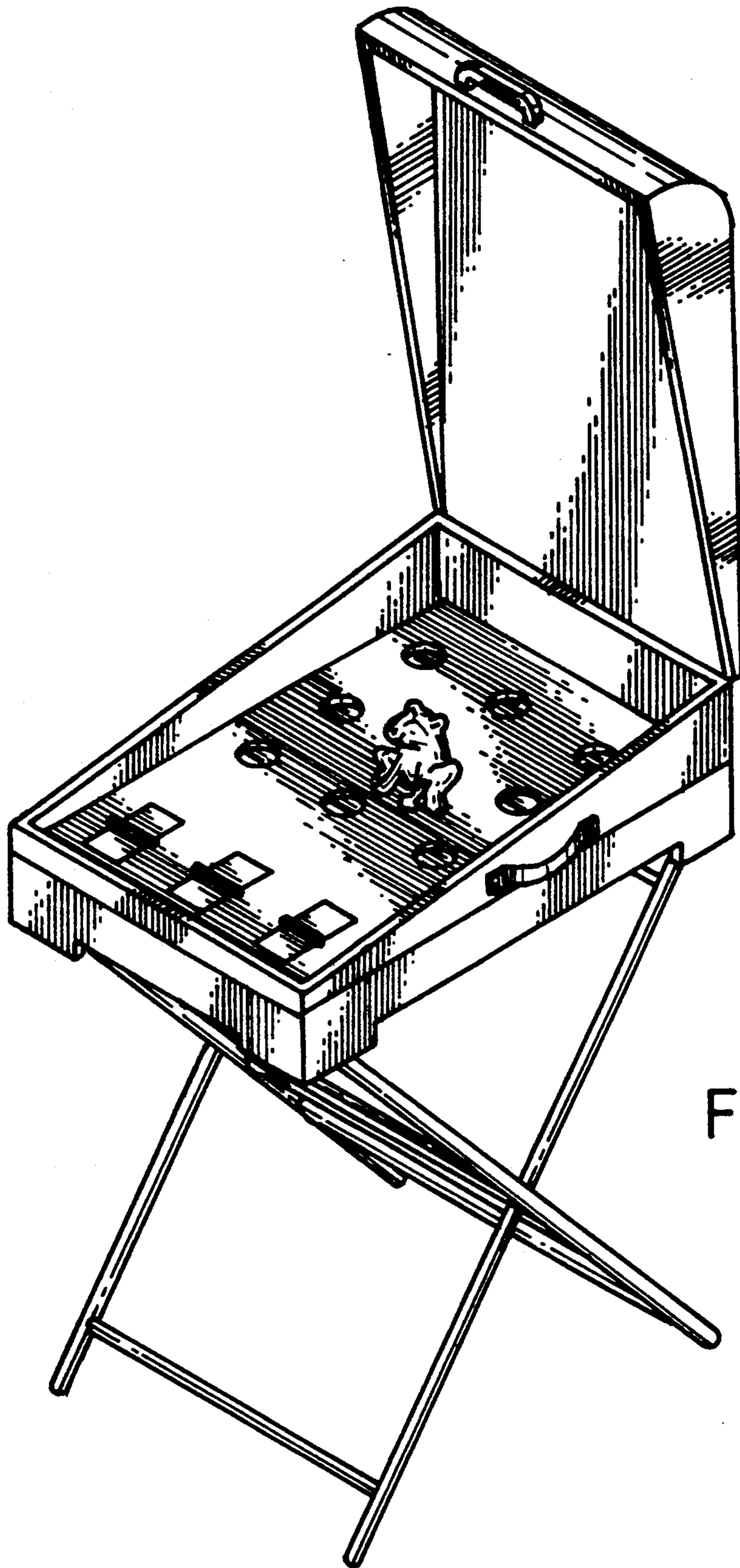


FIG. 9

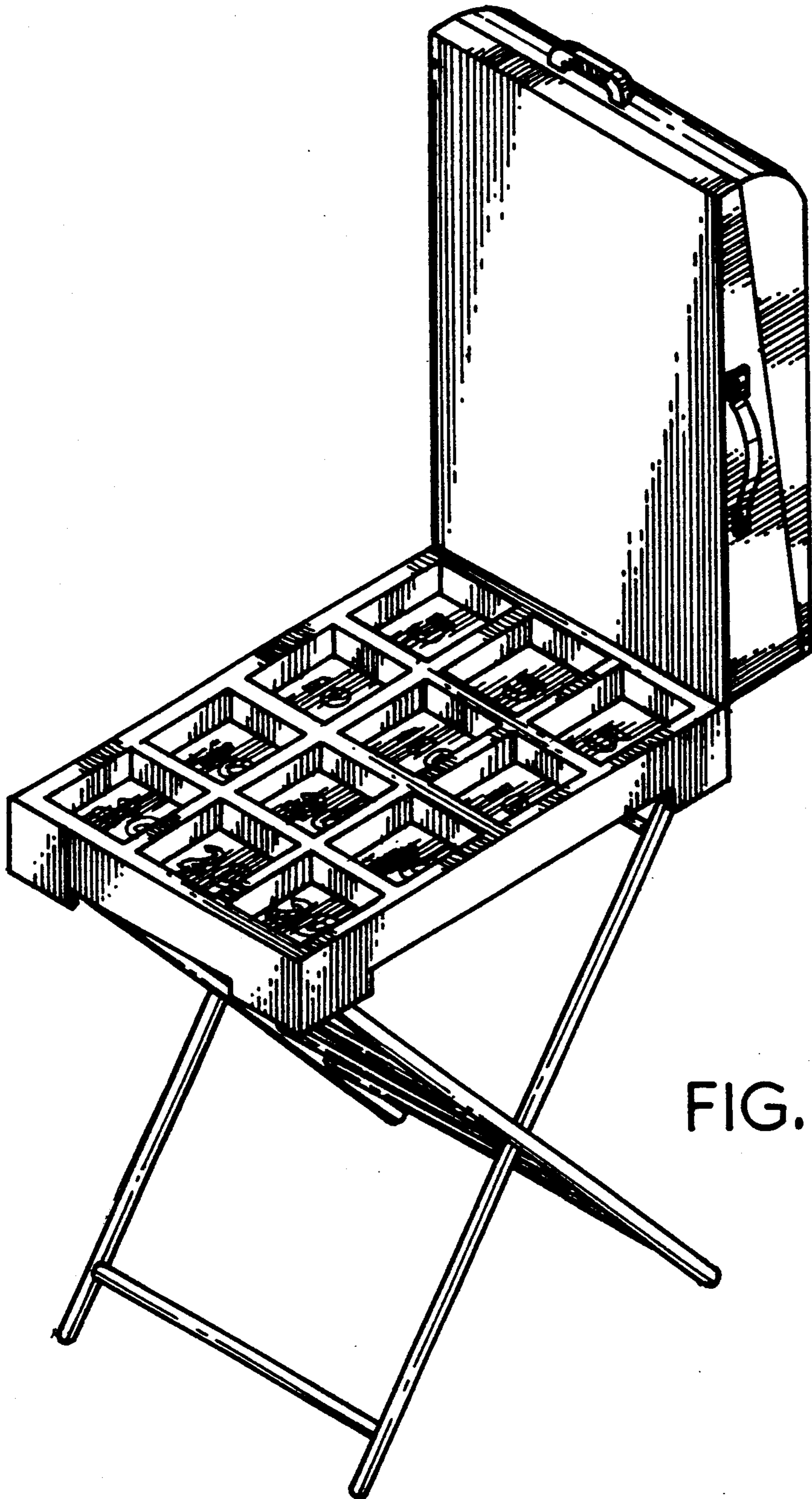


FIG. 10