



US00D333491S

United States Patent [19]

[11] Patent Number: **Des. 333,491**

Mori et al.

[45] Date of Patent: **** Feb. 23, 1993**

[54] SET OF IDENTIFICATION TAGS FOR ELECTRICAL WIRE ENDS

4,415,765 11/1983 Iwasa et al. 40/316

[75] Inventors: **Katsuhisa Mori, Osaka; Keiji Sonoda, Nara; Hideo Miyata, Neyagawashi, all of Japan**

FOREIGN PATENT DOCUMENTS

750670 6/1956 Fed. Rep. of Germany 40/316

[73] Assignee: **Nichifu Terminal Manufacture Co., Ltd., Osaka, Japan**

Primary Examiner—Wallace R. Burke
Assistant Examiner—Marcus Jackson
Attorney, Agent, or Firm—Edwin E. Greigg; Ronald E. Greigg

[**] Term: **14 Years**

[57] CLAIM

[21] Appl. No.: **603,820**

The ornamental design for a set of identification tags for electrical wire ends, as shown and described.

[22] Filed: **Oct. 24, 1990**

DESCRIPTION

[30] Foreign Application Priority Data

Apr. 25, 1990 [JP] Japan 2-14449

[52] U.S. Cl. **D20/22**

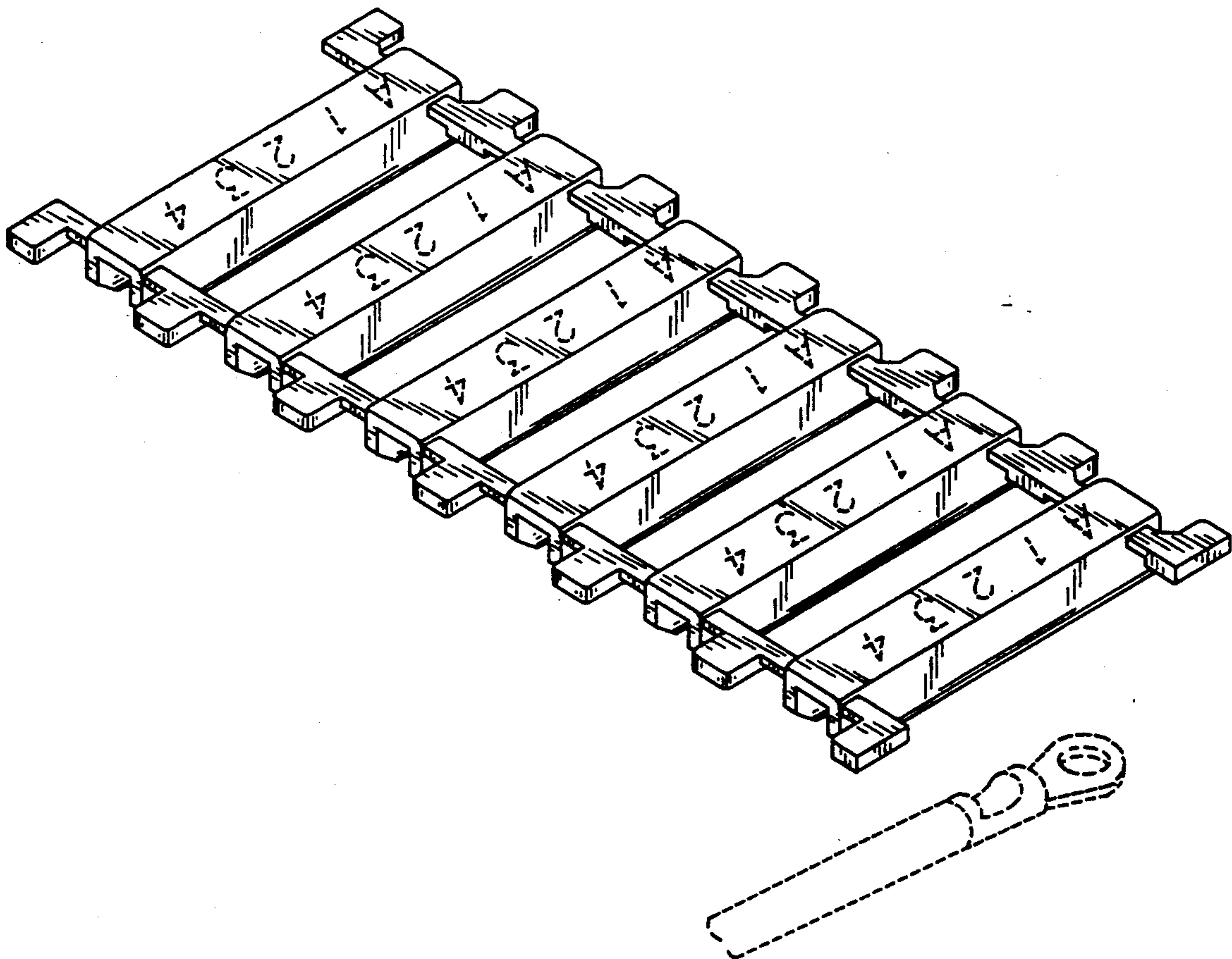
[58] Field of Search **D20/10, 22, 23, 27, D20/43; 40/1, 1.6, 299, 316, 632; D8/354, 355, 356, 360.1, 383, 384**

FIG. 1 is a top plan view of a set of identification tags for electrical wire ends showing our new design;
FIG. 2 is a bottom plan view thereof;
FIG. 3 is a front elevational view thereof;
FIG. 4 is a rear elevational view thereof;
FIG. 5 is a right side elevational view thereof, with the left side being a mirror image;
FIG. 6 is a sectional view taken along line 6—6 of FIG. 6; and,
FIG. 7 is a perspective view thereof, with the broken line showing for illustrative purposes only and forming no part of the claimed design.

[56] References Cited

U.S. PATENT DOCUMENTS

2,043,919 6/1936 Bengtson 40/316
3,459,878 8/1969 Gressitt et al. 40/316



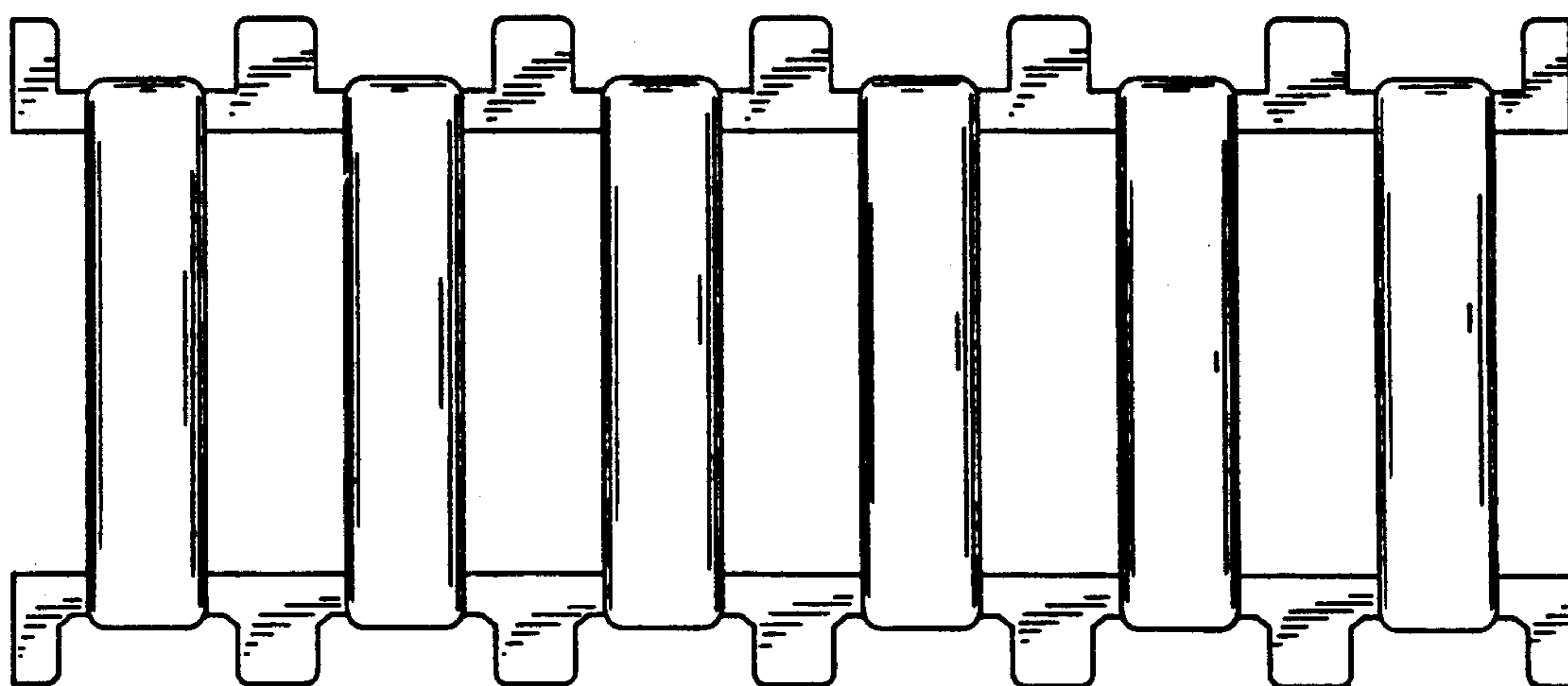


FIG. 1

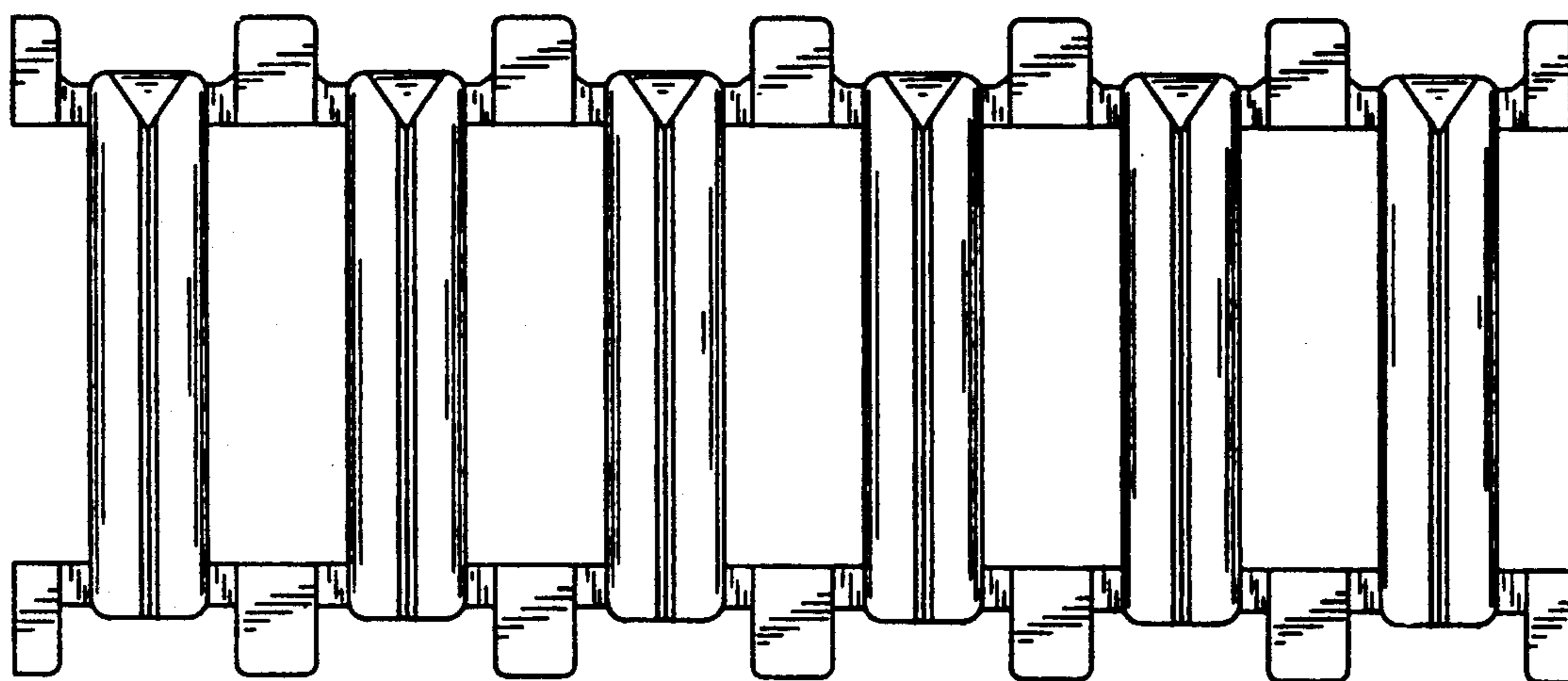


FIG. 2

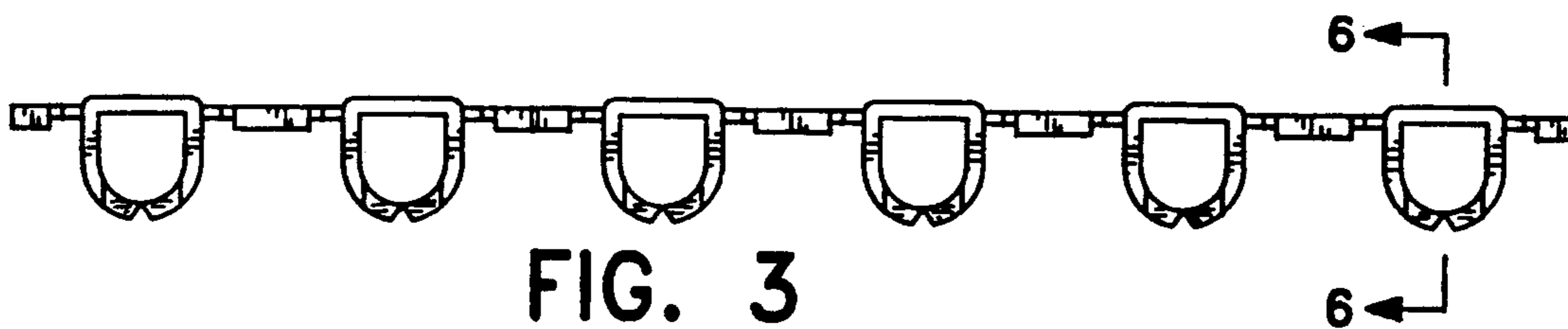


FIG. 3

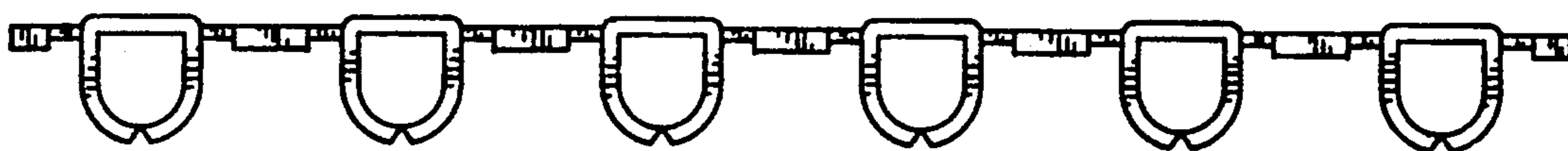


FIG. 4

FIG. 5

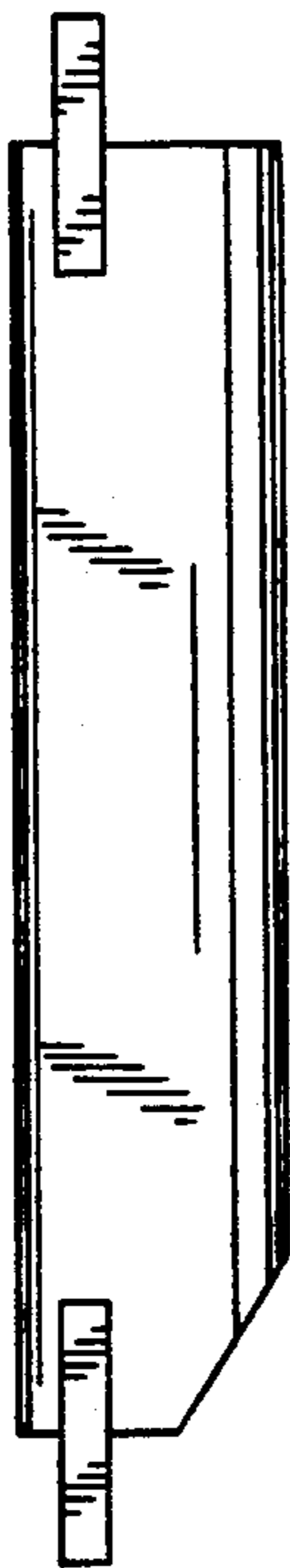


FIG. 7

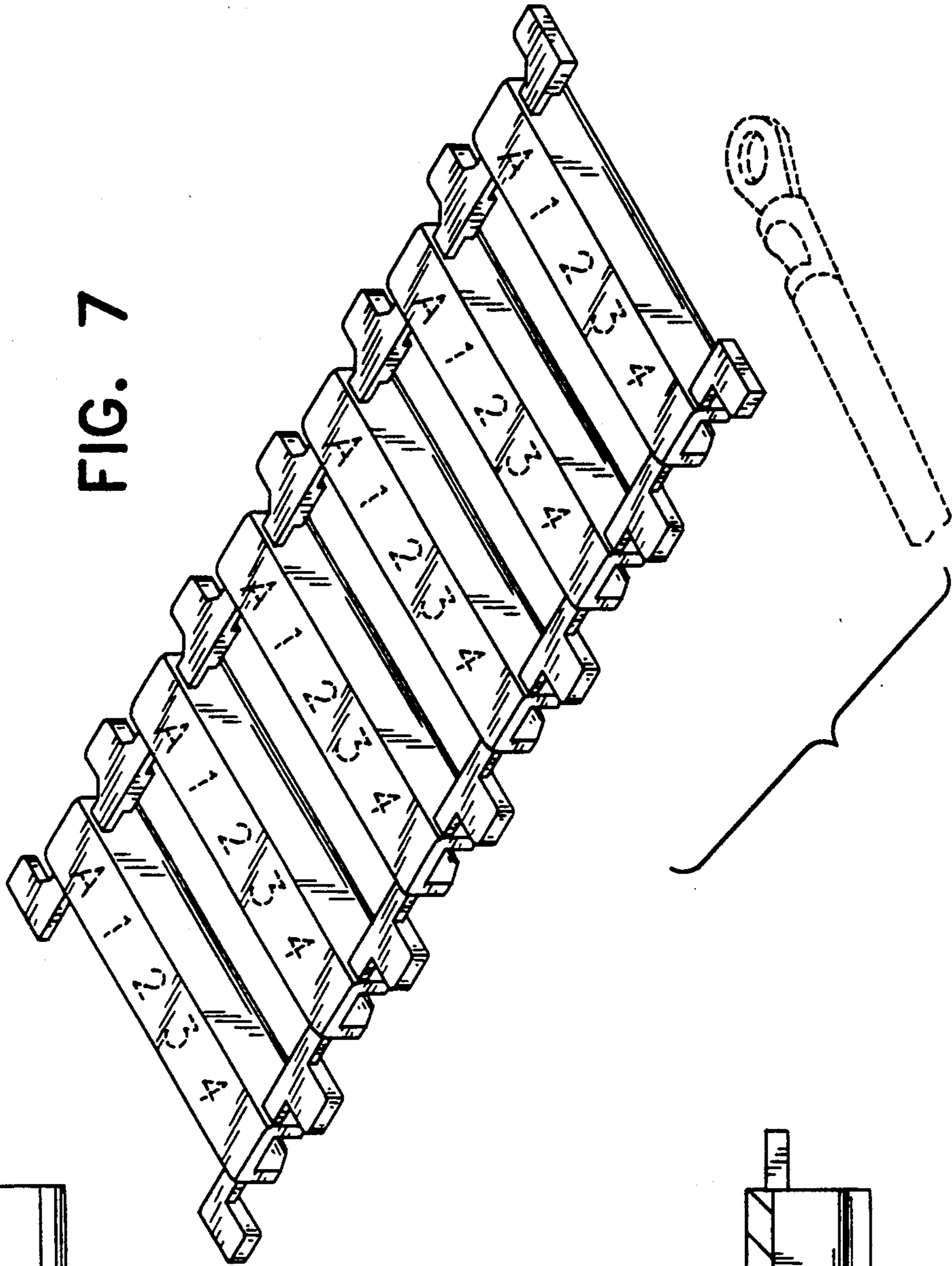


FIG. 6

