



US00D333488S

United States Patent [19]

[11] Patent Number: Des. 333,488

Kirchner

[45] Date of Patent: ** Feb. 23, 1993

[54] COMBINED NOTE PAPER AND WRITING INSTRUMENT HOLDER

[75] Inventor: Balthasar Kirchner, Eferding, Austria

[73] Assignee: Ernst Stadelmann Gesellschaft M.B.H., Eferding, Austria

[**] Term: 14 Years

[21] Appl. No.: 569,453

[22] Filed: Aug. 17, 1990

[30] Foreign Application Priority Data

Feb. 22, 1990 [AT]	Austria	27886
Feb. 22, 1990 [AT]	Austria	27887
Feb. 22, 1990 [AT]	Austria	27888
Feb. 22, 1990 [AT]	Austria	27889
Feb. 22, 1990 [AT]	Austria	27890
Feb. 22, 1990 [AT]	Austria	27891
Feb. 22, 1990 [AT]	Austria	27892

[52] U.S. Cl. D19/78; D19/86; D19/83; D19/92

[58] Field of Search D6/466; D19/65, 75, D19/78, 8 H, 85, 86, 92, 95, 99, 100; 206/215, 555, 371, 214, 224; 211/69.1-69.9

[56] References Cited

U.S. PATENT DOCUMENTS

D. 98,316	1/1936	Guild	D19/86 X
D. 102,468	12/1936	McCoy	D19/86 X
D. 136,660	11/1943	Kiser	D19/92 X
D. 188,831	9/1960	Olson	D19/92 X
D. 279,341	6/1985	Simmons	D6/466
D. 287,862	1/1987	Hauser et al.	D19/78
D. 296,794	7/1988	Leithauser	D19/78
D. 299,476	1/1989	Wolff	D19/78
D. 303,399	9/1989	Goutchat	D19/78
D. 322,814	12/1991	Tam	D19/86 X

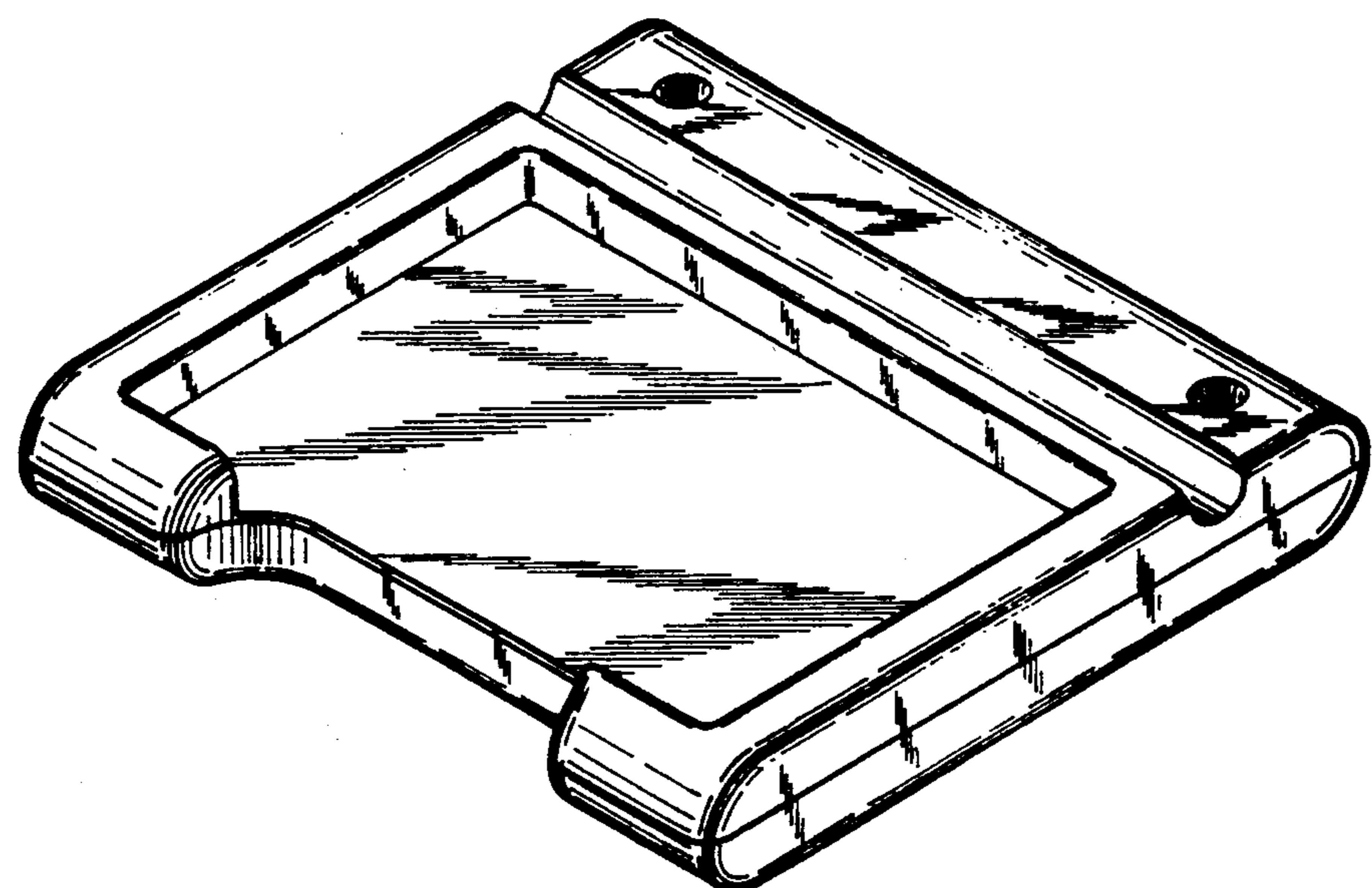
Primary Examiner—Nelson C. Holtje
Assistant Examiner—Martha Thompson
Attorney, Agent, or Firm—Herbert Dubno; Ronald Lianides

[57] CLAIM

The ornamental design for a combined note paper and writing instrument holder, as shown and described.

DESCRIPTION

FIG. 1 is a top plan view of a combined note paper and writing instrument holder showing my new design; FIG. 2 is a bottom plan view thereof; FIG. 3 is a front elevational view thereof; FIG. 4 is a left side elevational view, the right side being a mirror image thereof; and, FIG. 5 is a top, right front perspective view thereof.



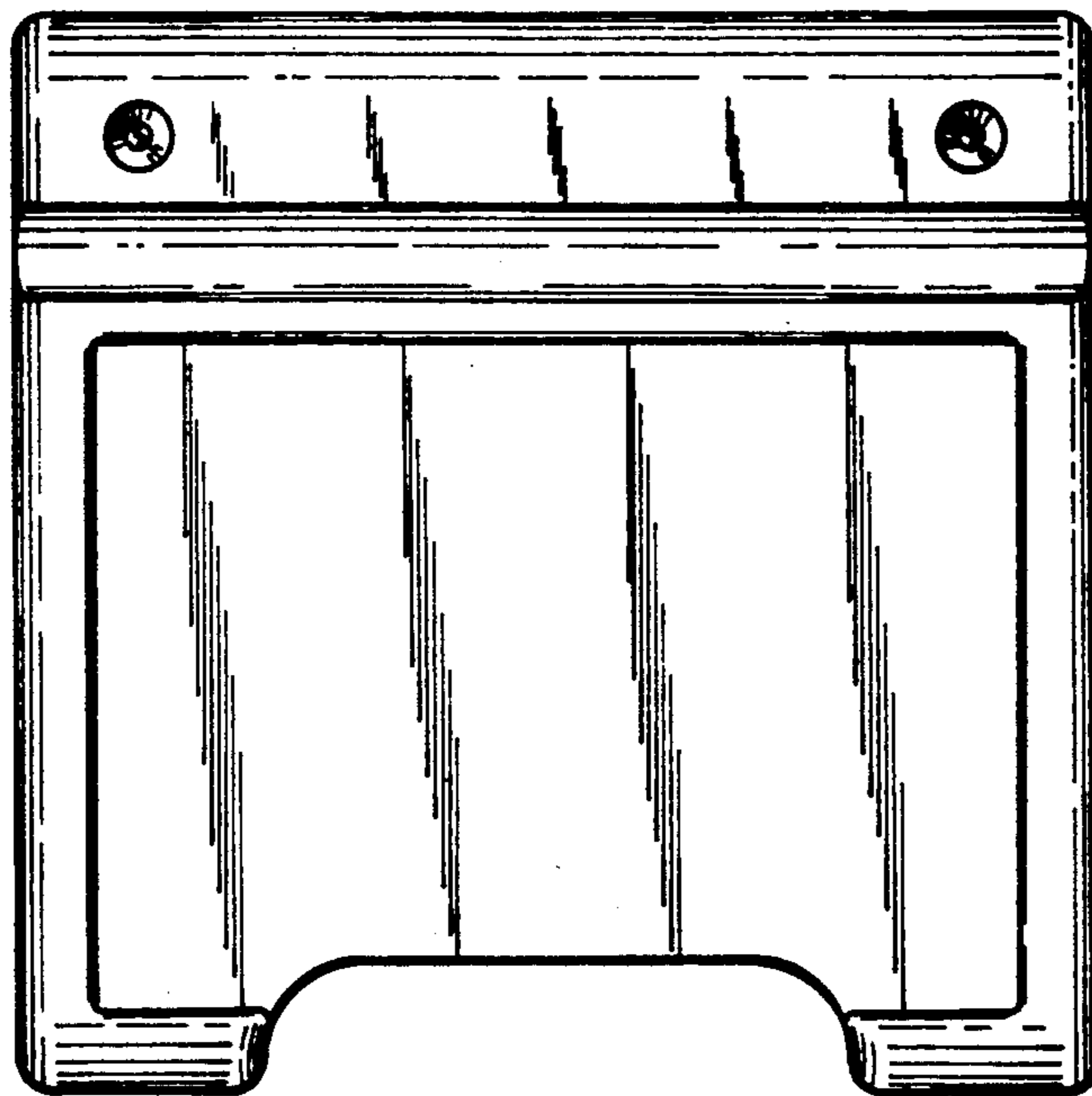


FIG. 1

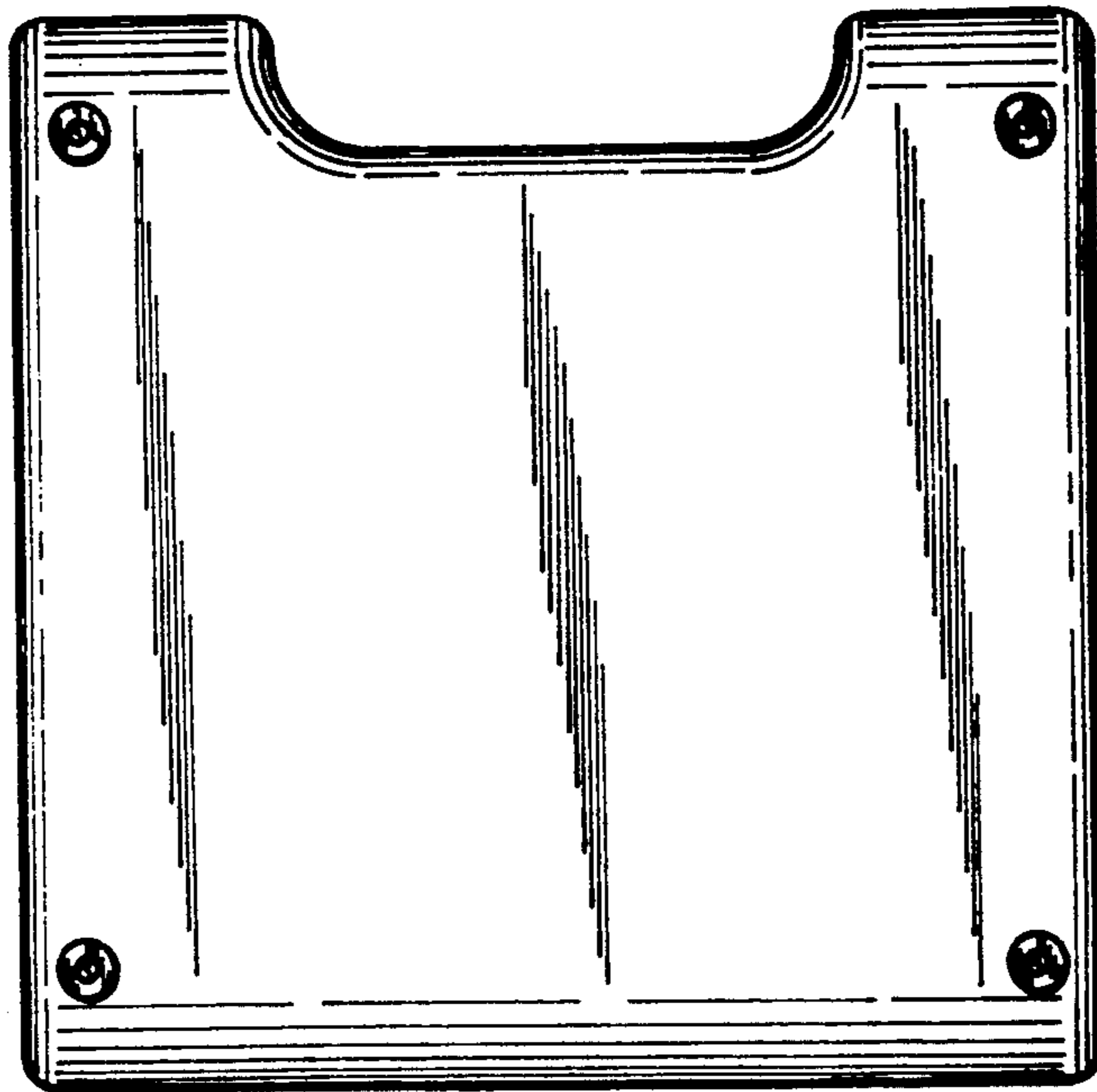


FIG. 2



FIG. 3

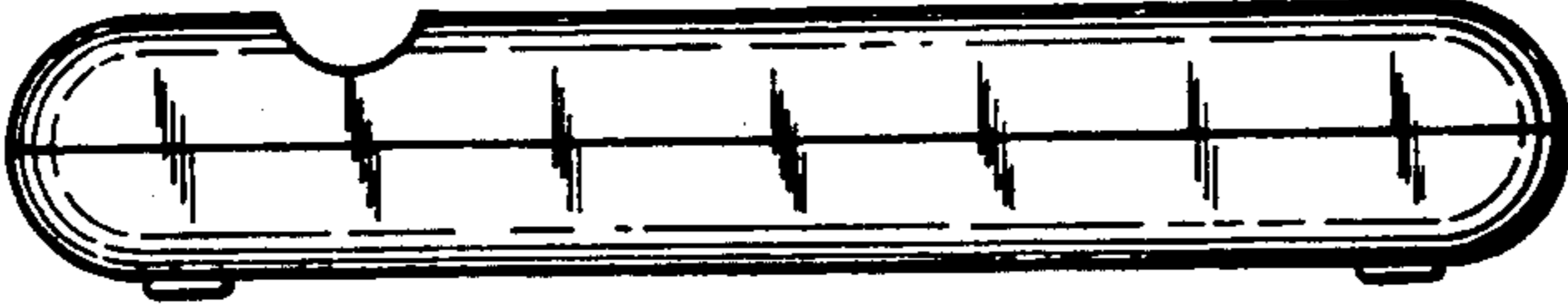


FIG. 4

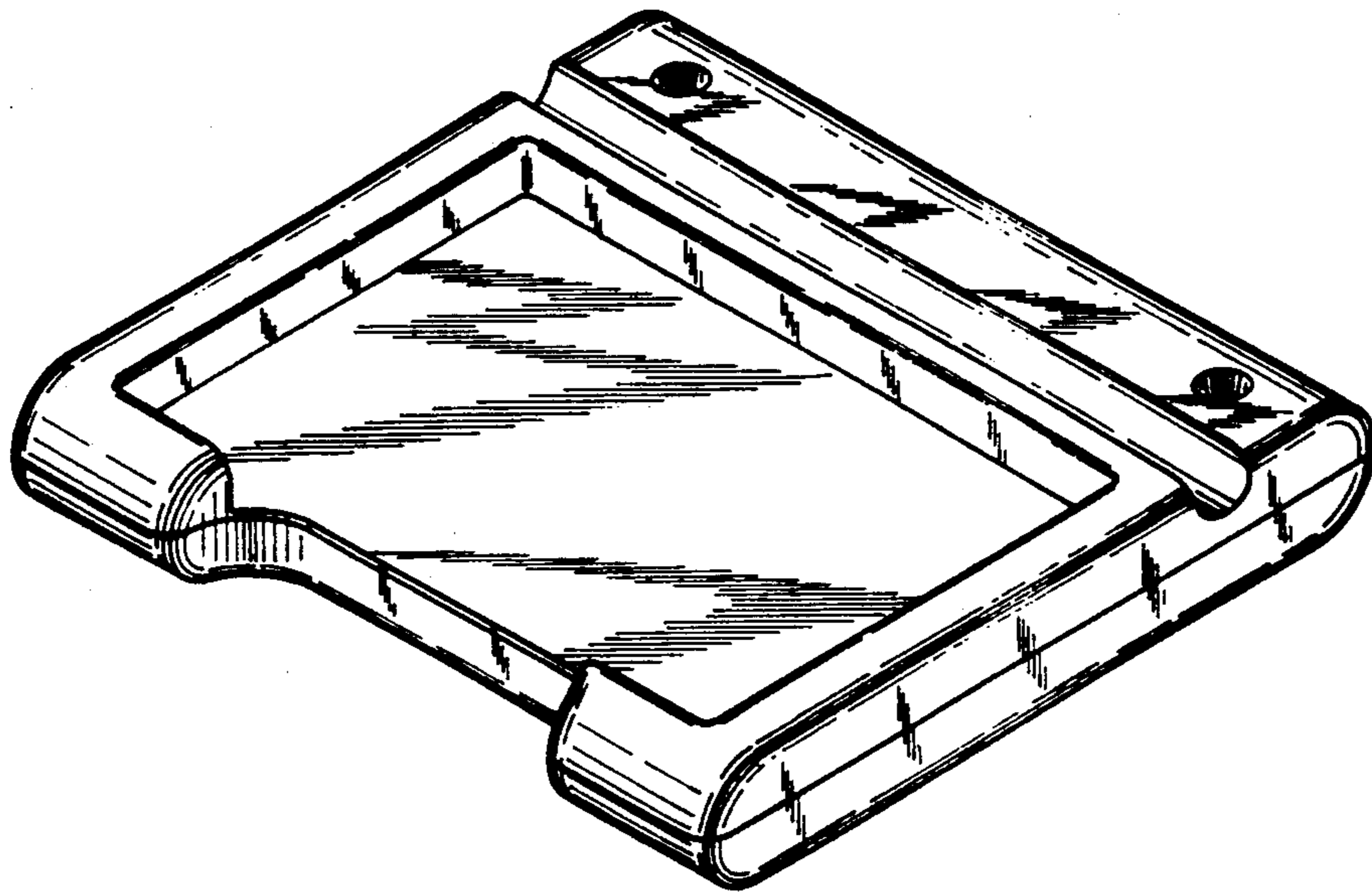


FIG. 5