



US00D333487S

# United States Patent [19]

[11] Patent Number: **Des. 333,487**

**Papp**

[45] Date of Patent: **\*\* Feb. 23, 1993**

[54] **COMPARTMENTED STORAGE BOX FOR PASTELS**

D. 283,561 4/1986 Geist ..... D3/74  
D. 302,026 7/1989 Tu ..... D19/75  
D. 306,234 2/1990 Ferstl ..... D19/75

[76] Inventor: **Paul A. Papp**, 36 Longfellow Cir., Ormond Beach, Fla. 32074

*Primary Examiner*—Alan P. Douglas  
*Assistant Examiner*—Martha Thompson  
*Attorney, Agent, or Firm*—Leon Gilden

[\*\*] Term: **14 Years**

[21] Appl. No.: **377,306**

[57] **CLAIM**

[22] Filed: **Jul. 10, 1989**

The ornamental design for a compartmented storage box for pastels, as shown and described.

[52] U.S. Cl. .... **D19/75; D19/77; D19/83; D3/74**

[58] Field of Search ..... **D19/35, 36, 65, 75, D19/77, 78, 81-85; D3/39, 74, 76; 206/214, 371, 224; 211/69.1-69.9**

**DESCRIPTION**

[56] **References Cited**

**U.S. PATENT DOCUMENTS**

D. 167,868 9/1952 Selikoff et al. .... D3/74  
D. 178,627 9/1956 Garatelli ..... D3/74  
D. 205,580 8/1966 Schurman ..... D3/74  
D. 221,117 7/1971 Jacobs ..... D3/39  
239,274 3/1881 Schadowsky ..... 206/371 X  
D. 268,714 4/1983 Goedel ..... D3/74

FIG. 1 is a front elevational view of a compartmented storage box for pastels showing my new design in an exploded condition;  
FIG. 2 is a rear elevational view thereof;  
FIG. 3 is a left side elevational view thereof;  
FIG. 4 is a right side elevational view thereof;  
FIG. 5 is a top plan view thereof;  
FIG. 6 is a bottom plan view thereof;  
FIG. 7 is a top, left front perspective view thereof; and,  
FIG. 8 is a top, left front perspective view thereof in an assembled condition.

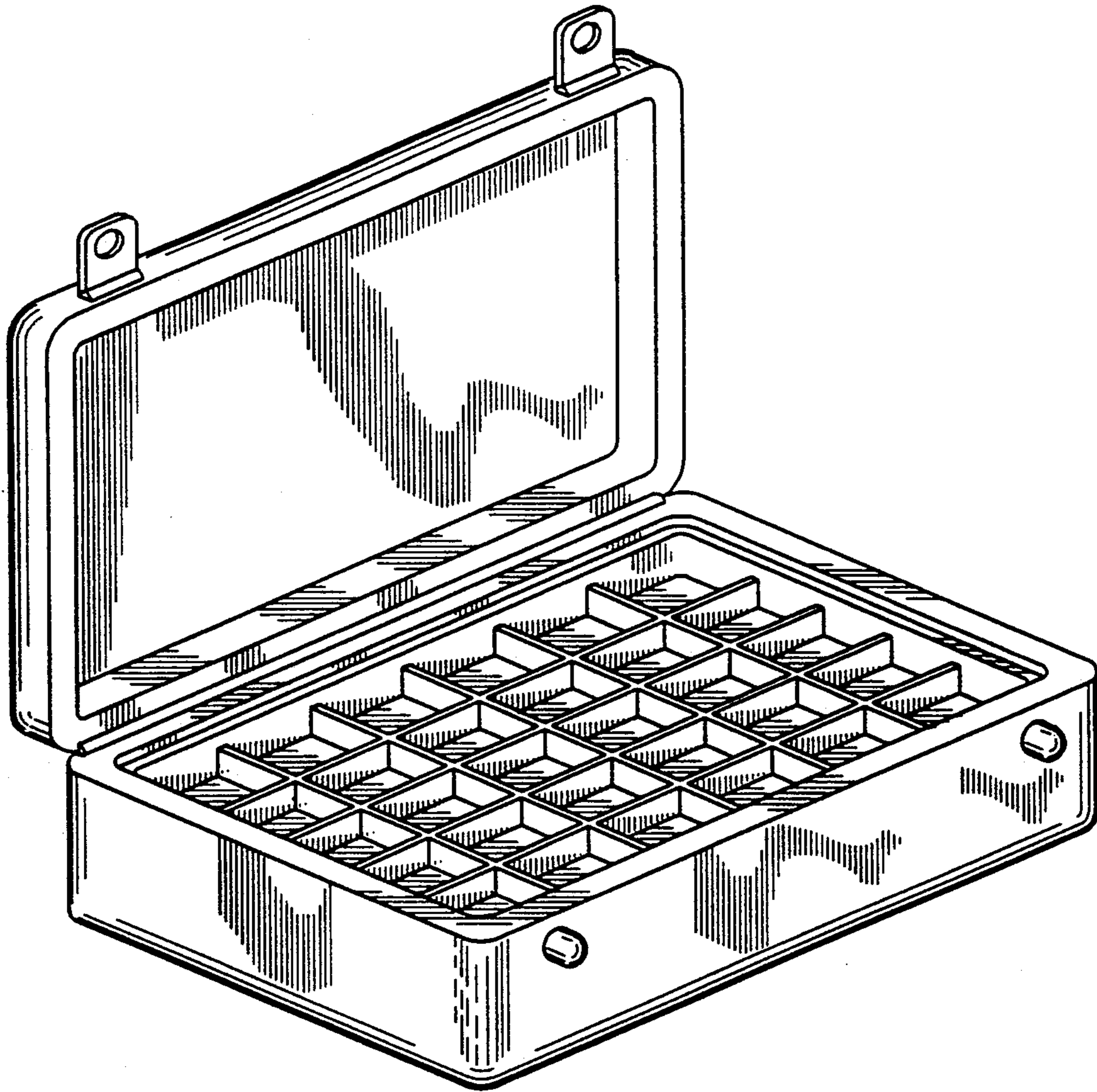


FIG. 1

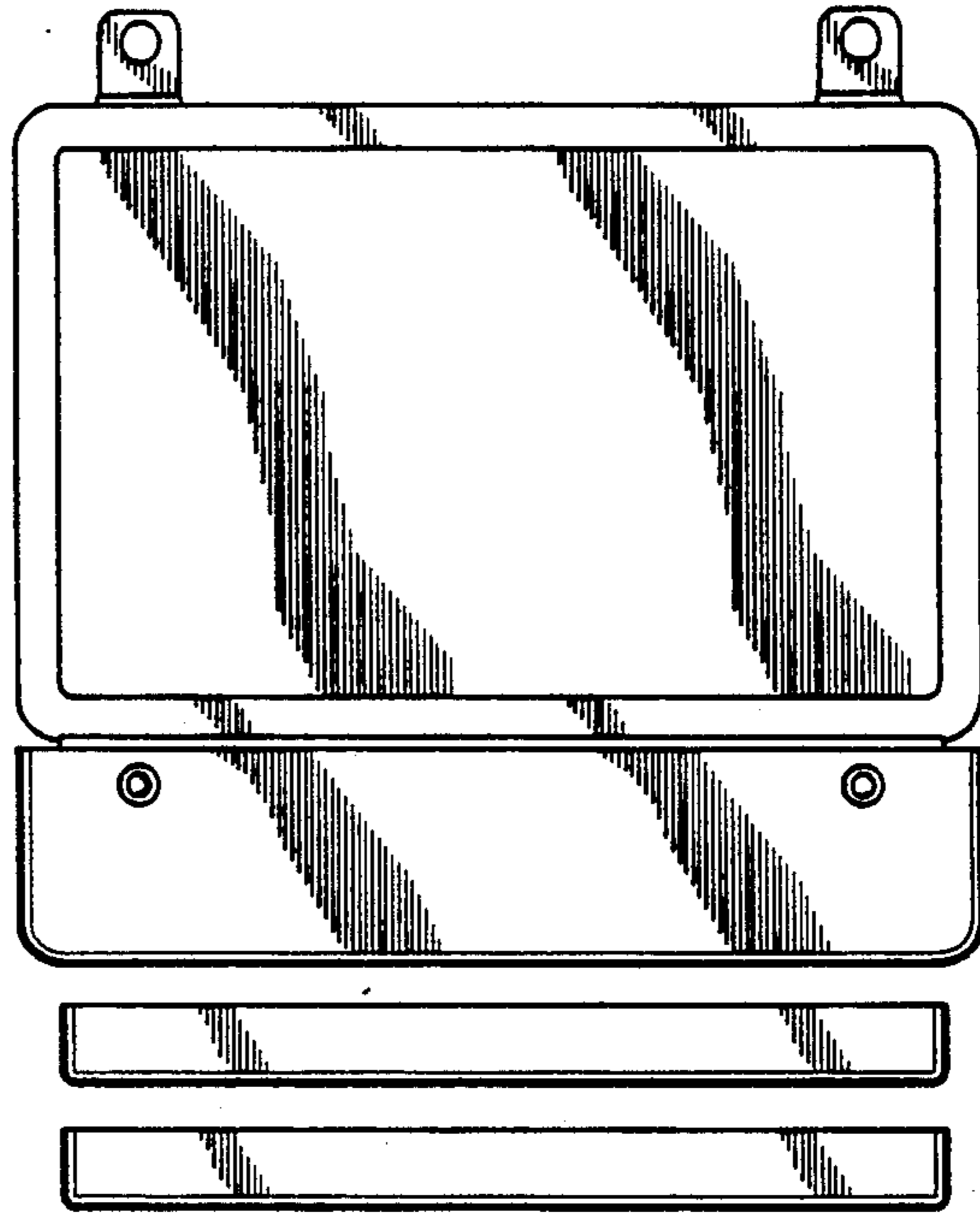


FIG. 3

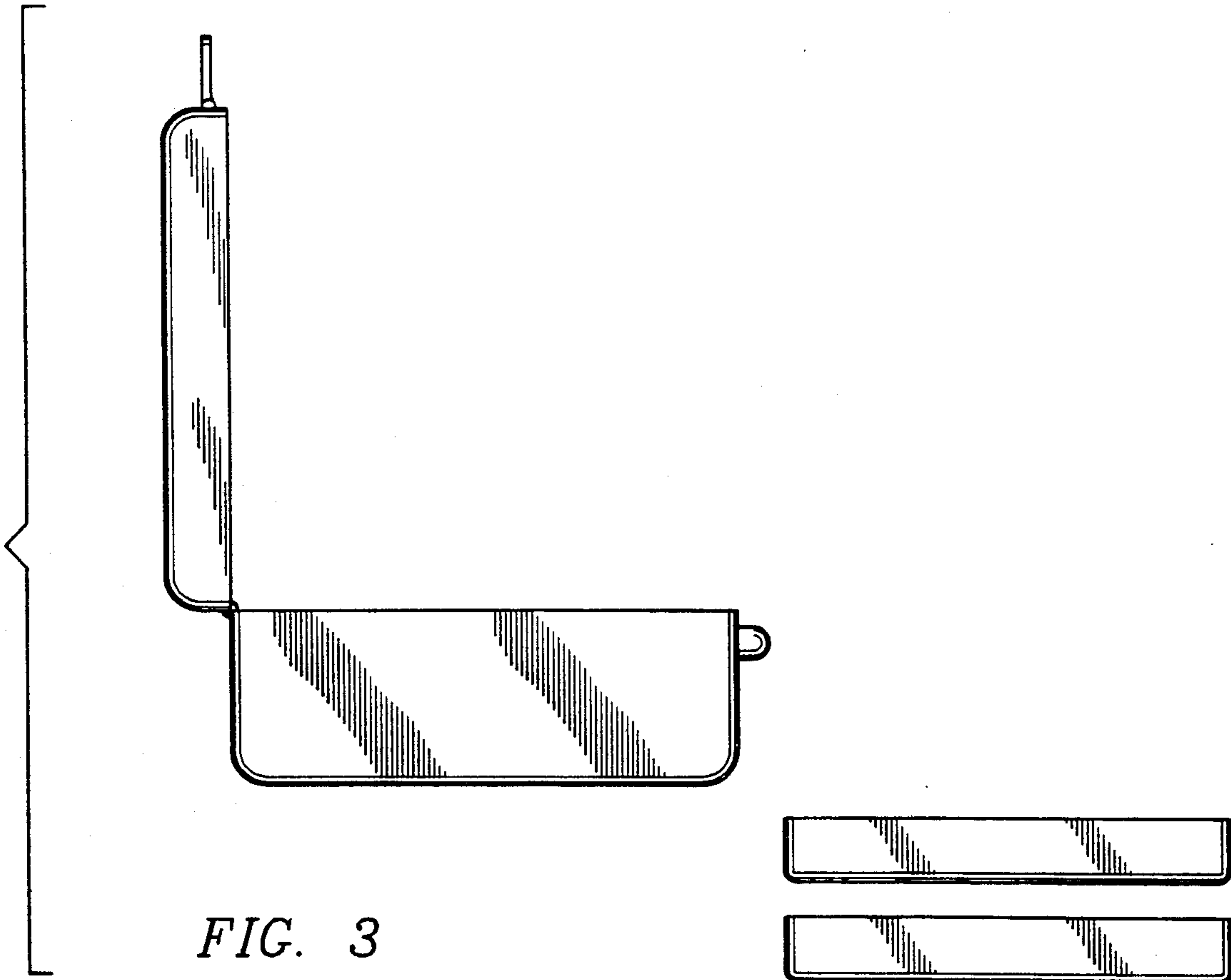


FIG. 2

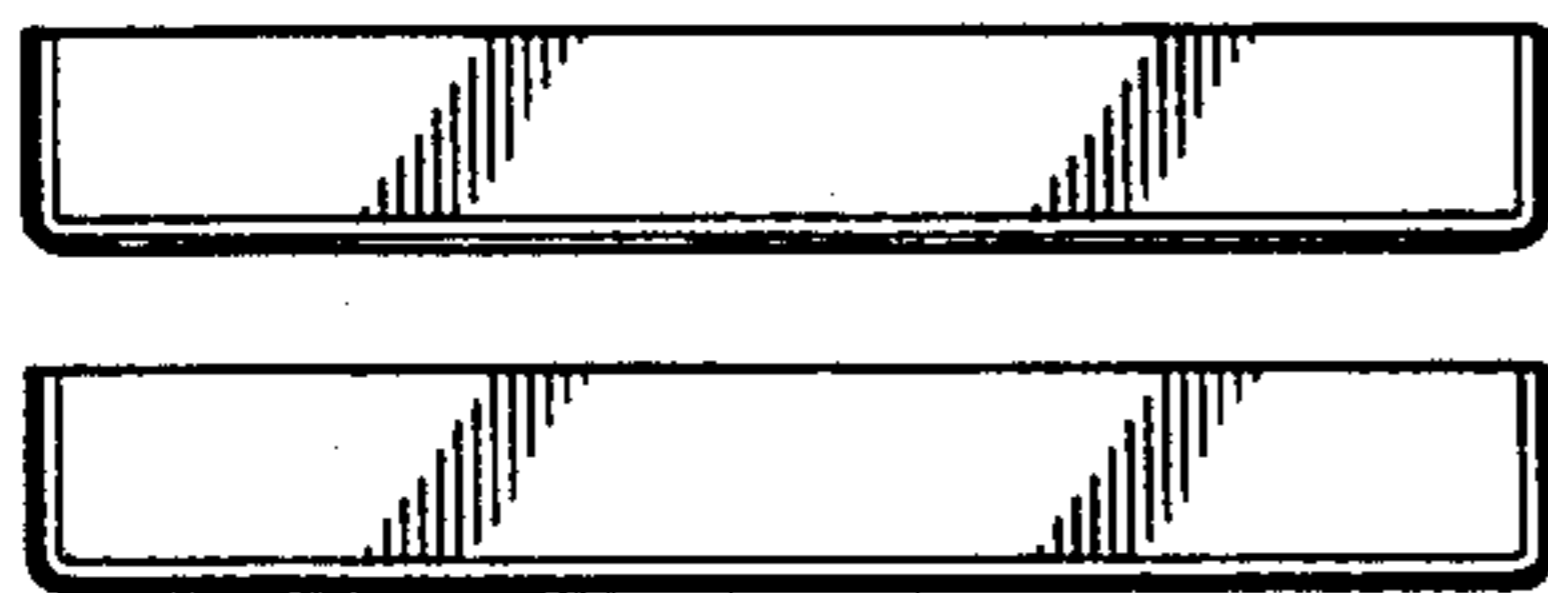
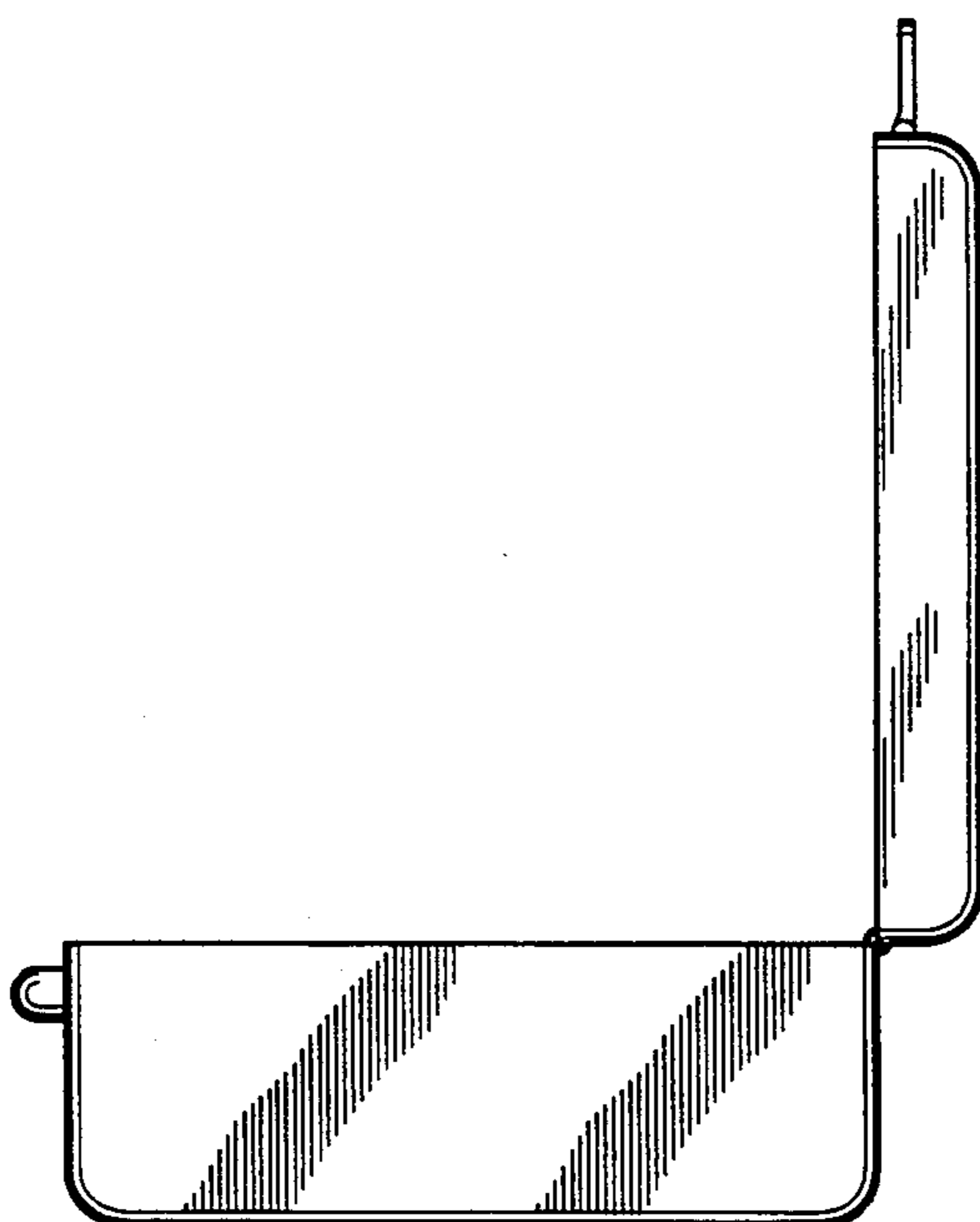
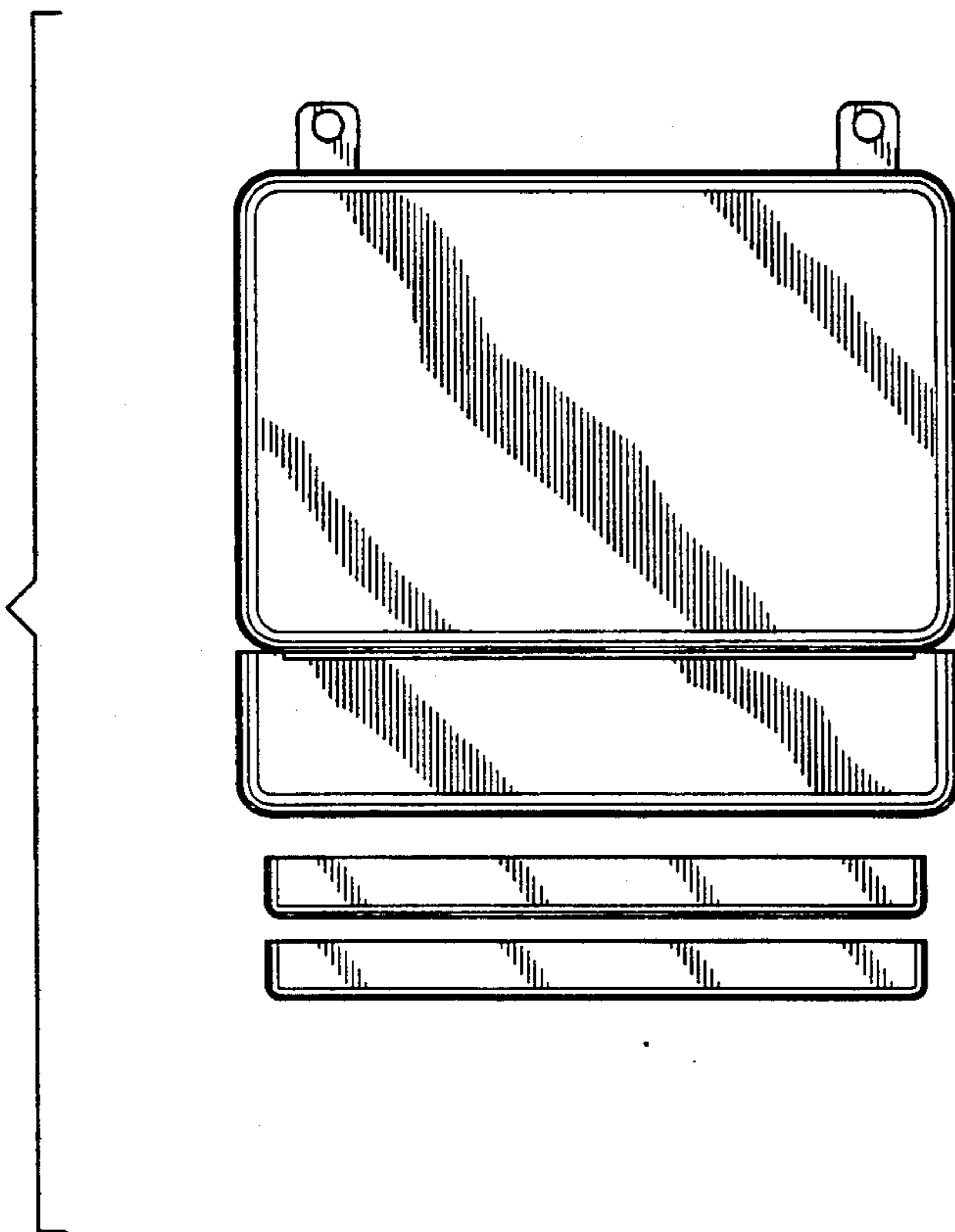


FIG. 4

FIG. 5

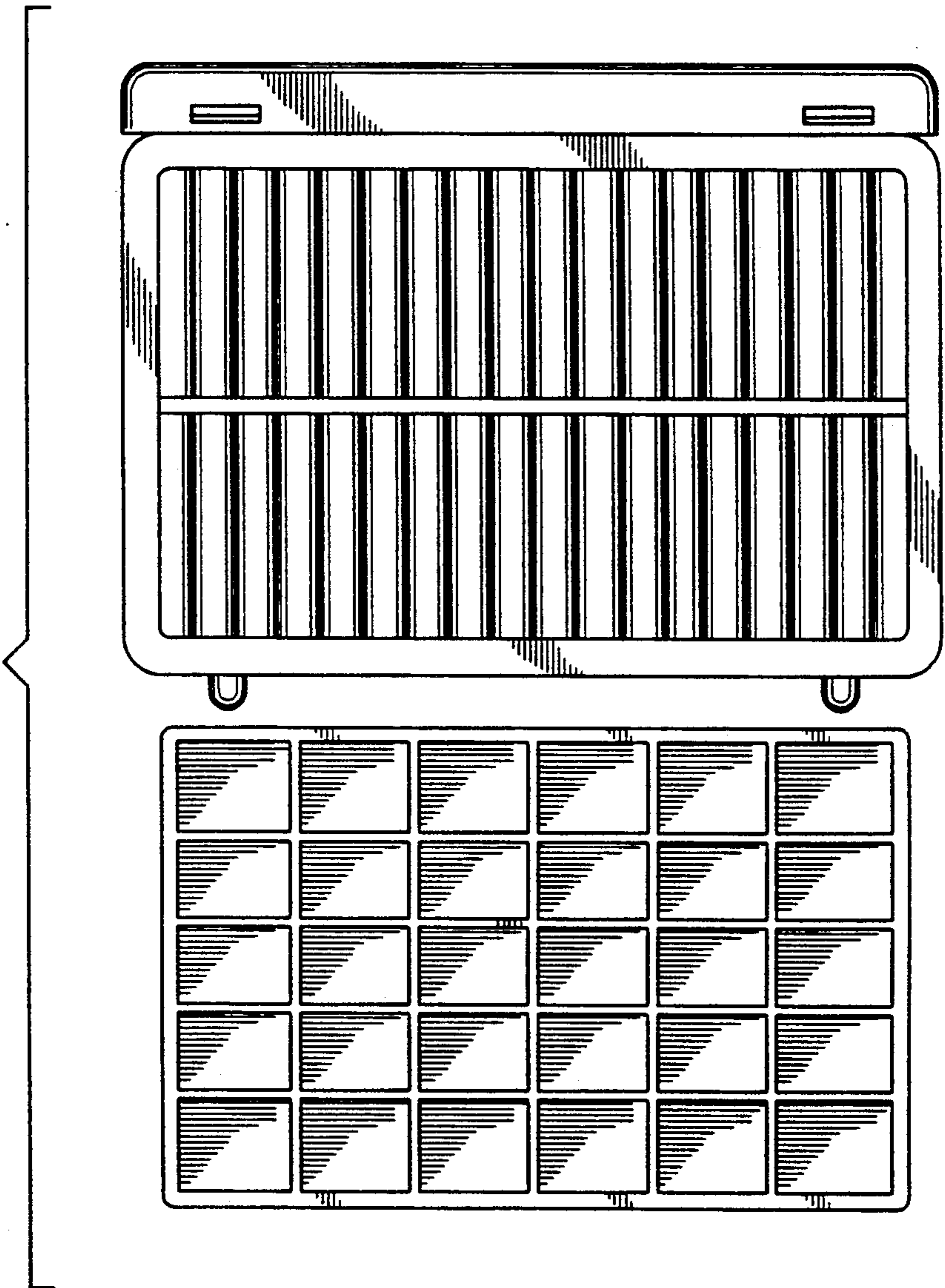
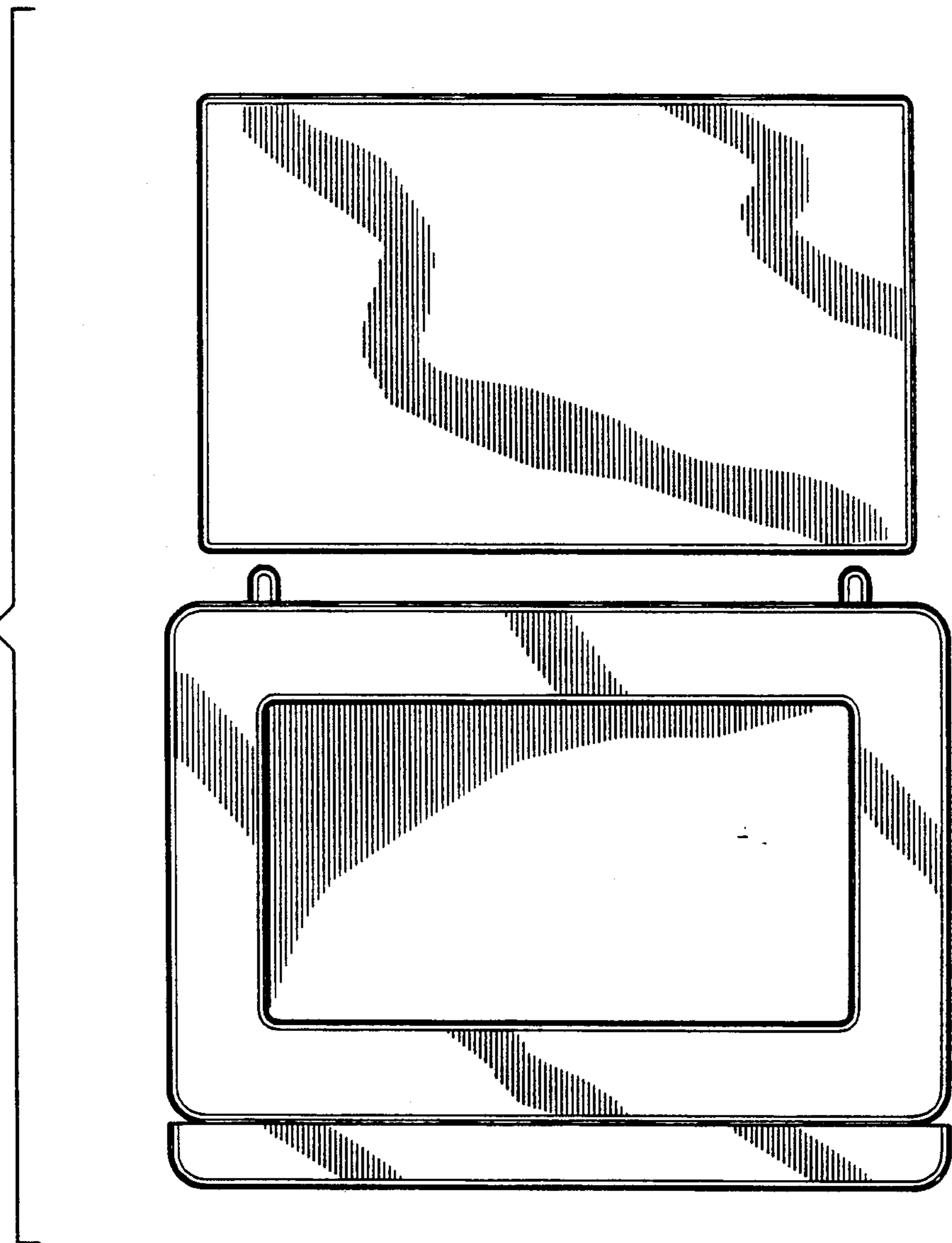


FIG. 6



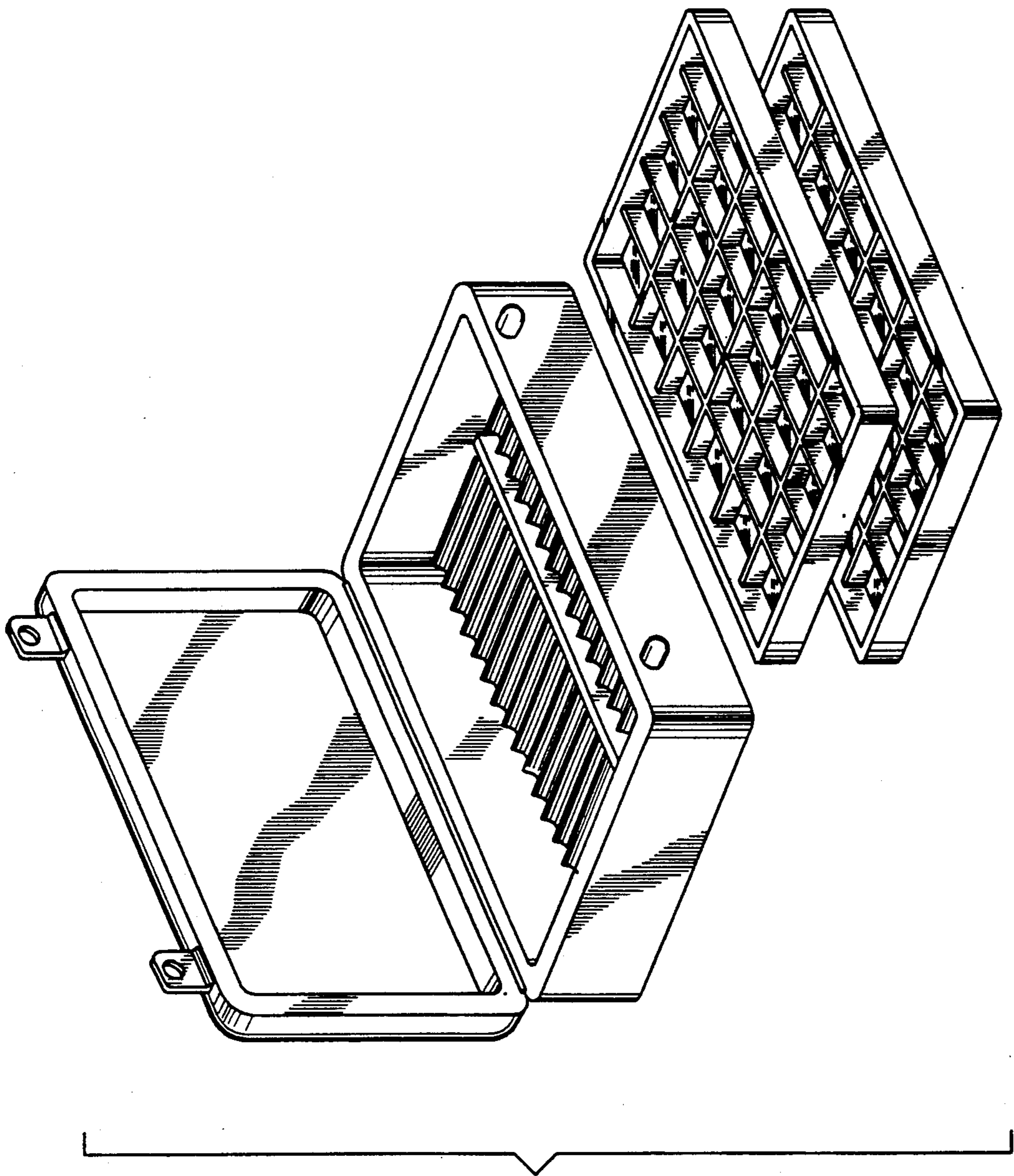


FIG. 7

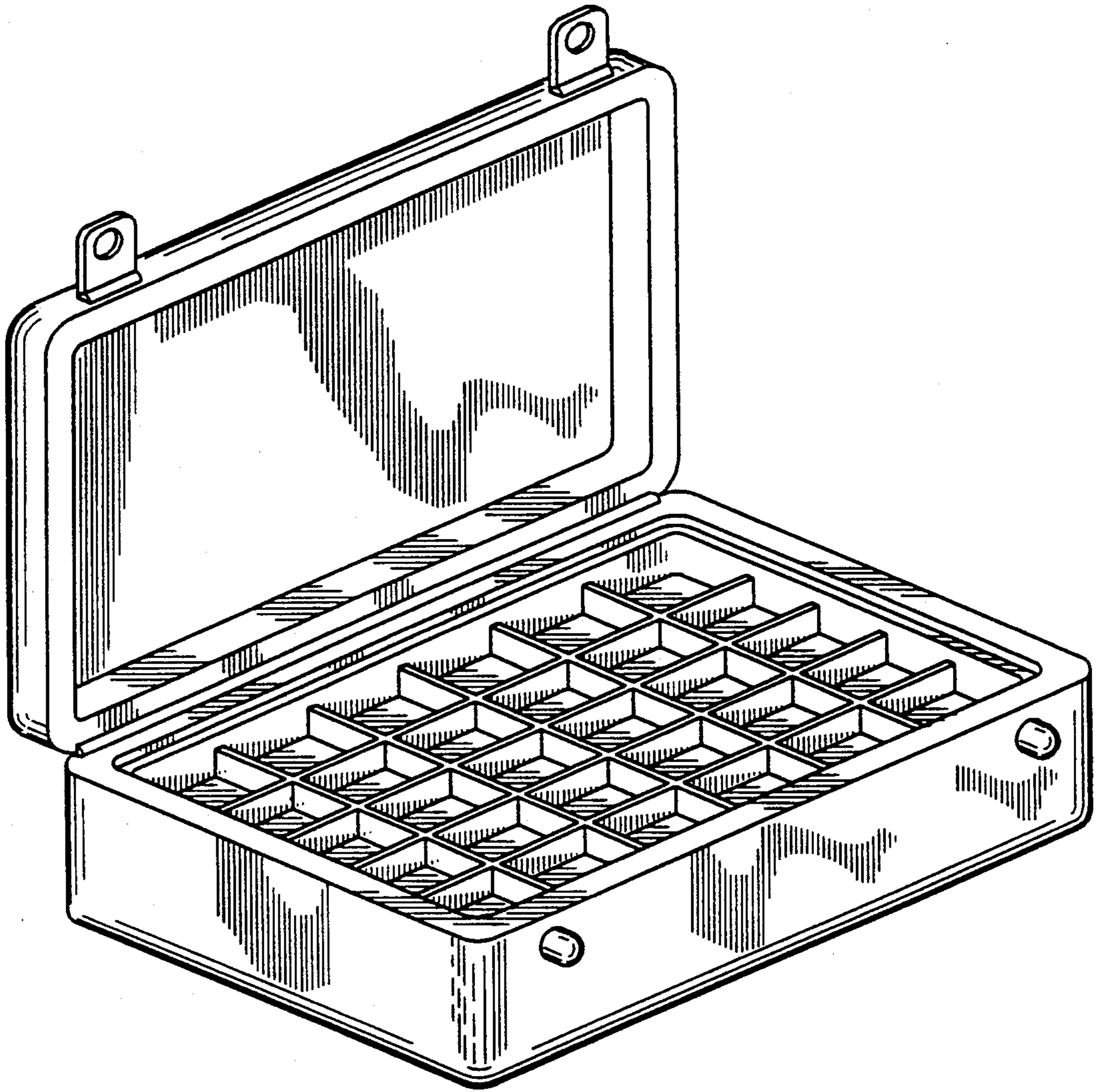


FIG. 8