



US00D333484S

# United States Patent [19]

[11] Patent Number: **Des. 333,484**

Neumeister

[45] Date of Patent: **\*\* Feb. 23, 1993**

[54] **PORTABLE PRINTER**

[76] Inventor: **Alexander Neumeister, Von Goebel**  
Platz 8, W-8000 Munchen 19, Fed.  
Rep. of Germany

[\*\*] Term: **14 Years**

[21] Appl. No.: **602,082**

[22] Filed: **Oct. 22, 1990**

[30] **Foreign Application Priority Data**

Apr. 23, 1990 [GB] United Kingdom ..... D2006306

[52] U.S. Cl. .... **D18/52; D18/55;**  
D3/30.1

[58] **Field of Search** ..... D18/1, 2, 50, 52, 55;  
D14/100, 102, 110, 111, 114; 235/145 A, 145  
R; 340/700, 706, 711, 712; 341/20-23; 400/485,  
486, 691-694, 109-111; 312/208; 355/50

[56] **References Cited**

**U.S. PATENT DOCUMENTS**

D. 254,742 4/1980 Hirabayashi et al. .... D18/4  
D. 283,628 4/1986 Hagiwara ..... D18/52  
D. 293,110 12/1987 George et al. .... D14/100  
D. 309,320 7/1990 Ishigami ..... D18/1

D. 312,451 11/1990 Katoh et al. .... D18/1  
D. 316,562 4/1991 Lavander ..... D18/52  
D. 319,636 9/1991 Lampe ..... D14/106  
4,742,478 5/1988 Nigro, Jr. et al. .... 312/208

*Primary Examiner*—Alan P. Douglas  
*Assistant Examiner*—Ann Hunt  
*Attorney, Agent, or Firm*—Poms, Smith, Lande & Rose

[57] **CLAIM**

The ornamental design for a portable printer, as shown and described.

**DESCRIPTION**

FIG. 1 is a front left side perspective view of a portable printer showing my new design;  
FIG. 2 is a front right side perspective view;  
FIG. 3 is a front elevational view;  
FIG. 4 is a left side elevational view;  
FIG. 5 is a right side elevational view thereof;  
FIG. 6 is a front right side perspective view of a portable printer in a closed position;  
FIG. 7 is a front left side perspective view;  
FIG. 8 is a front elevational view;  
FIG. 10 is a right side elevational view; and,  
FIG. 11 is a left side elevational view thereof.

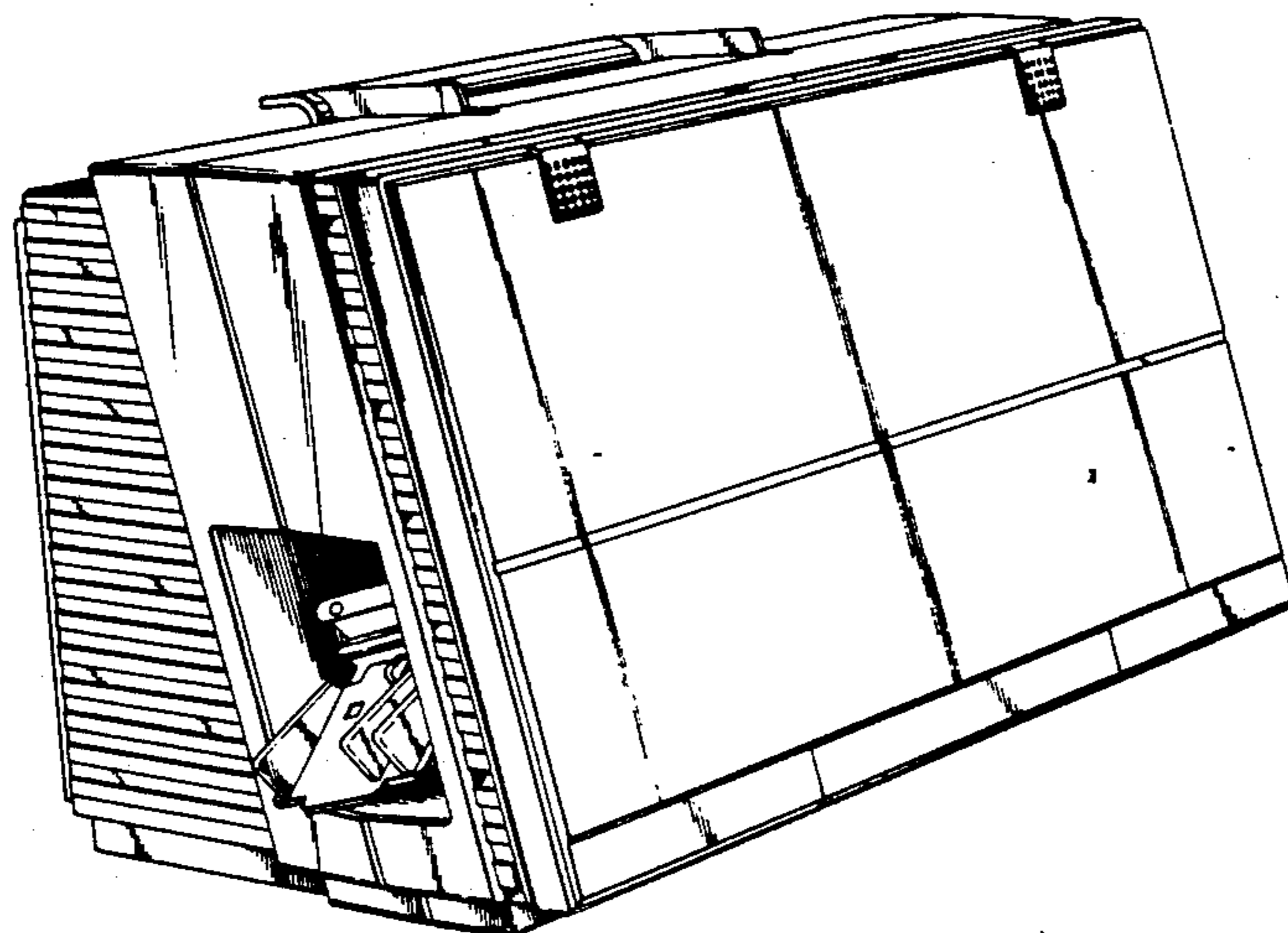
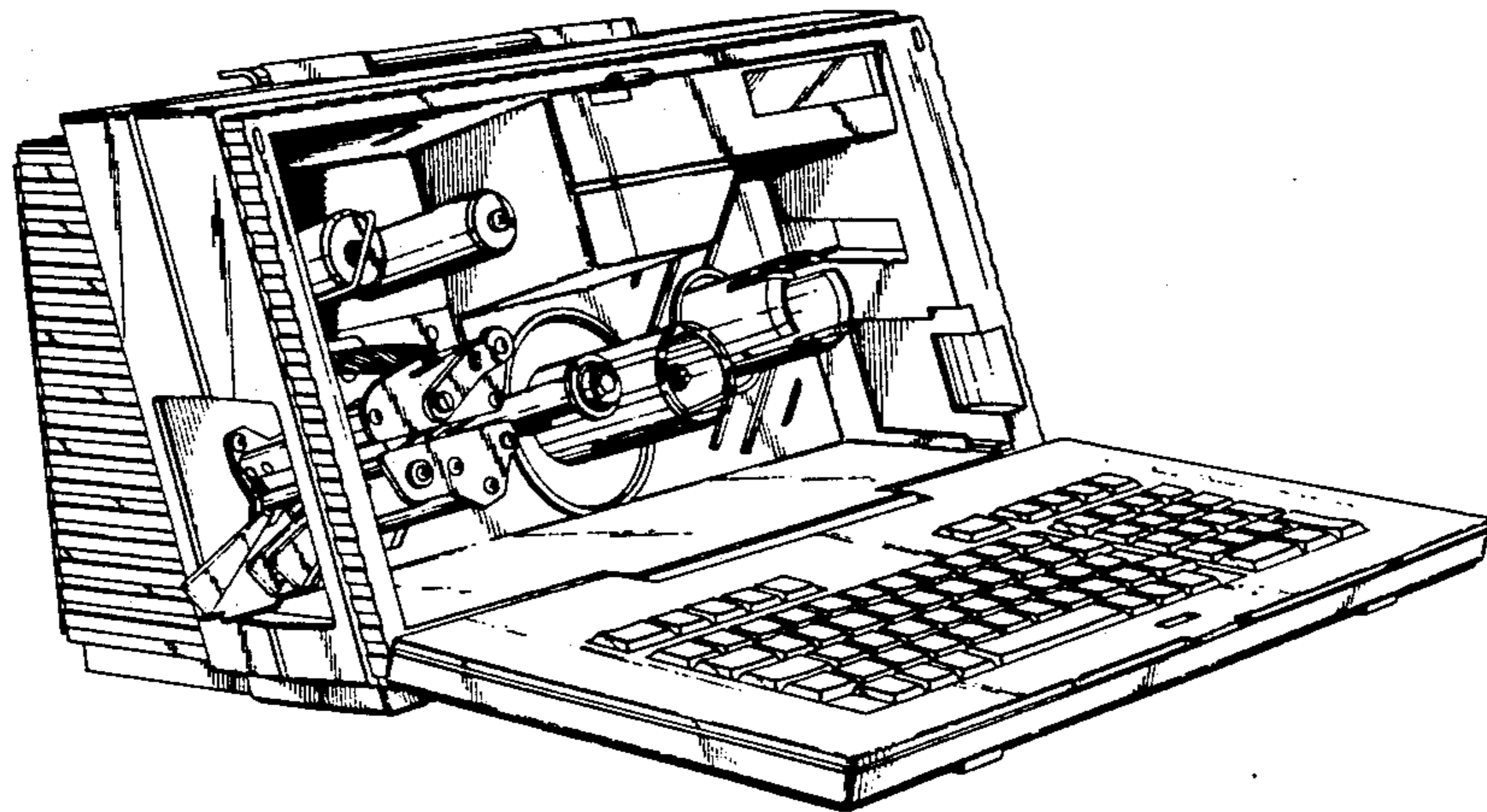
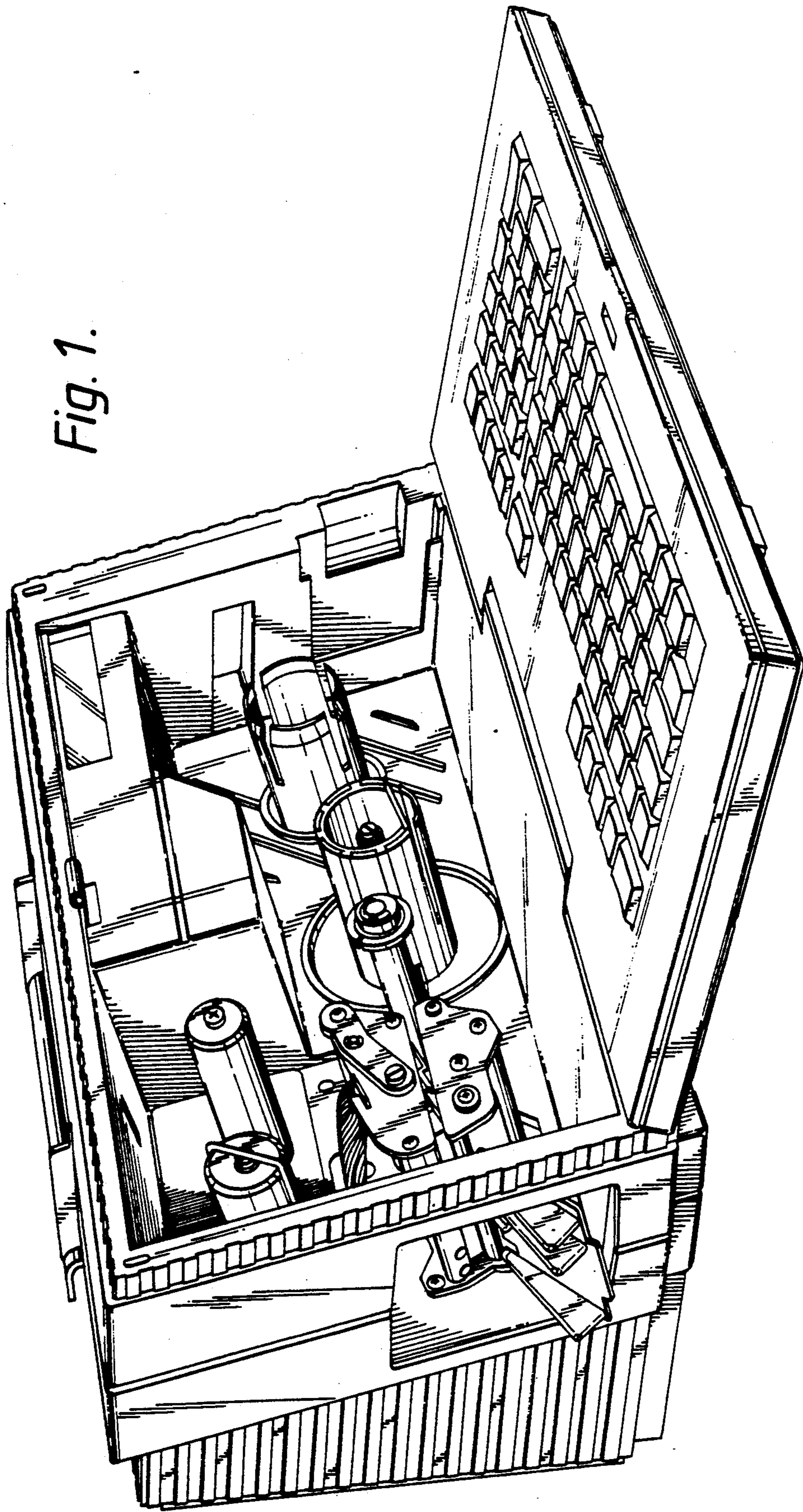


Fig. 1.



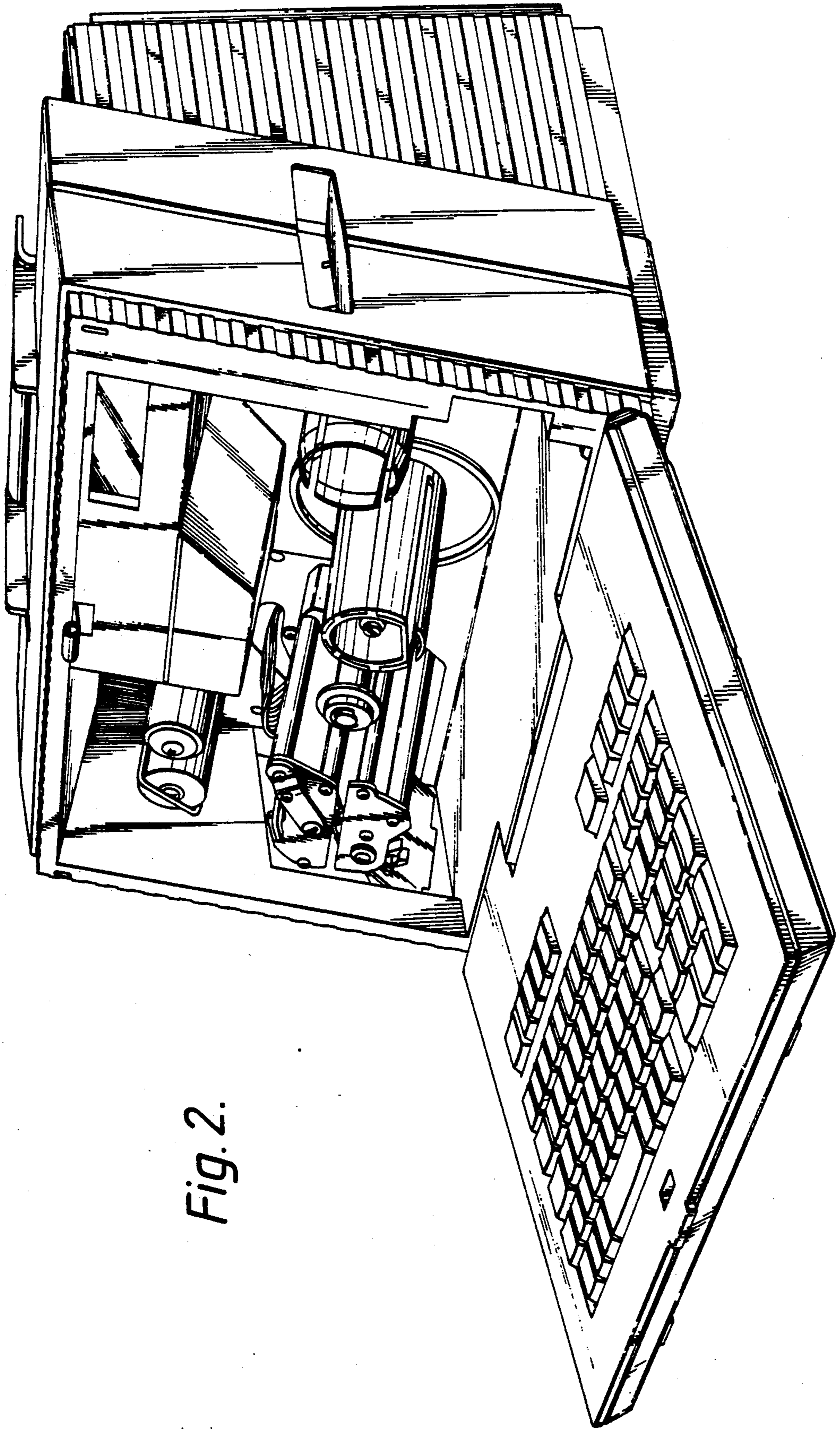


Fig. 2.

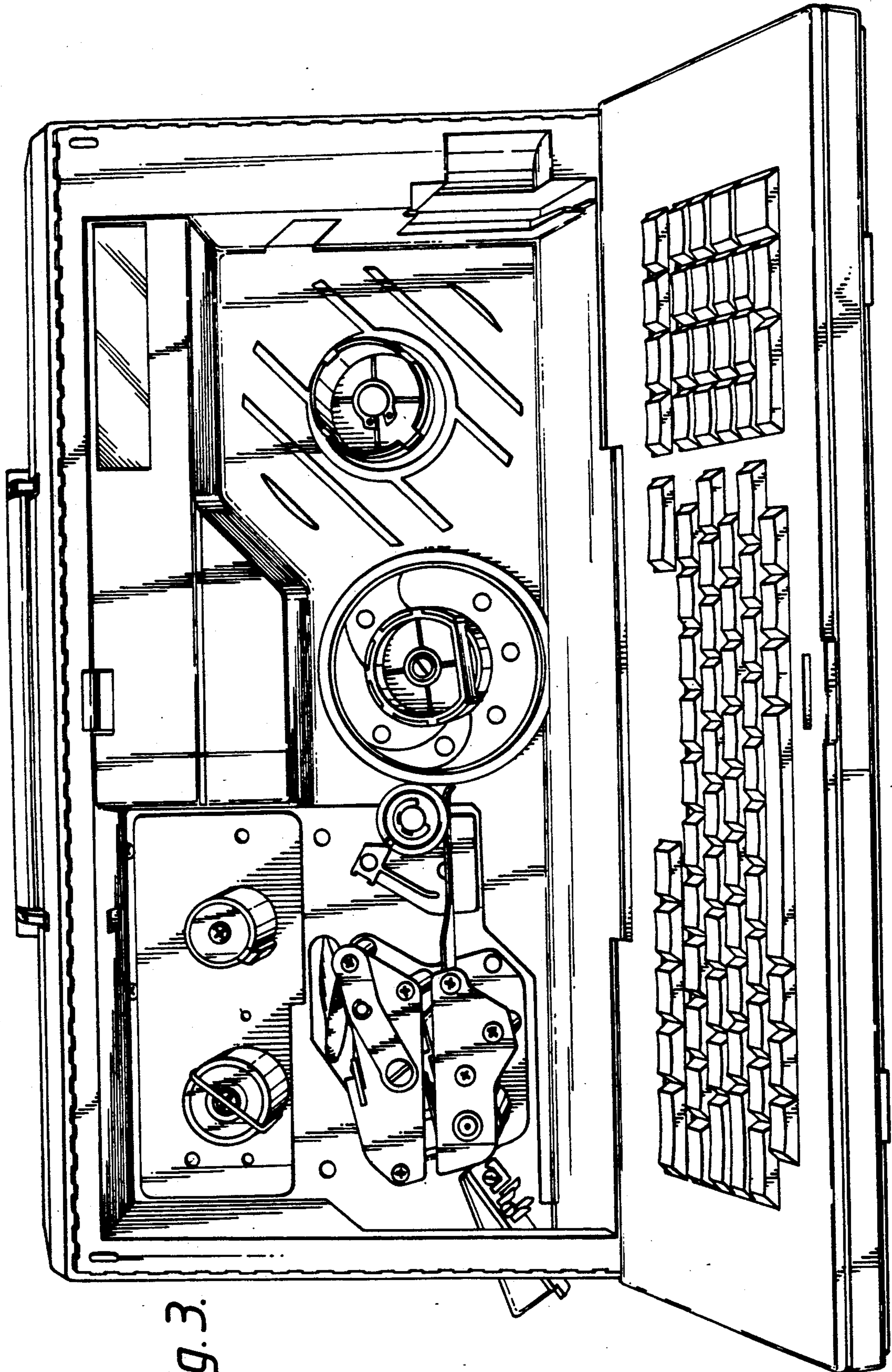
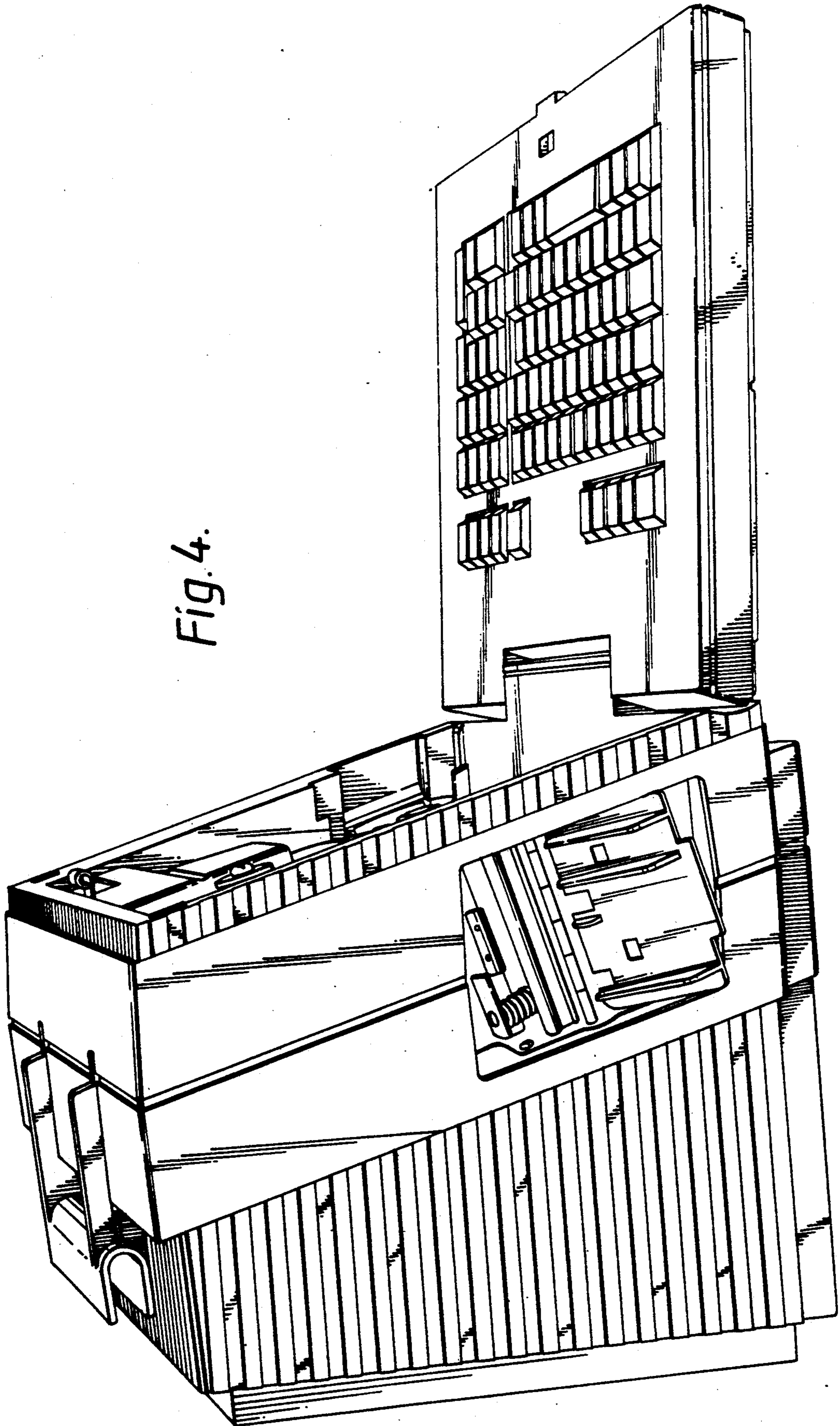


Fig. 3.

Fig. 4.



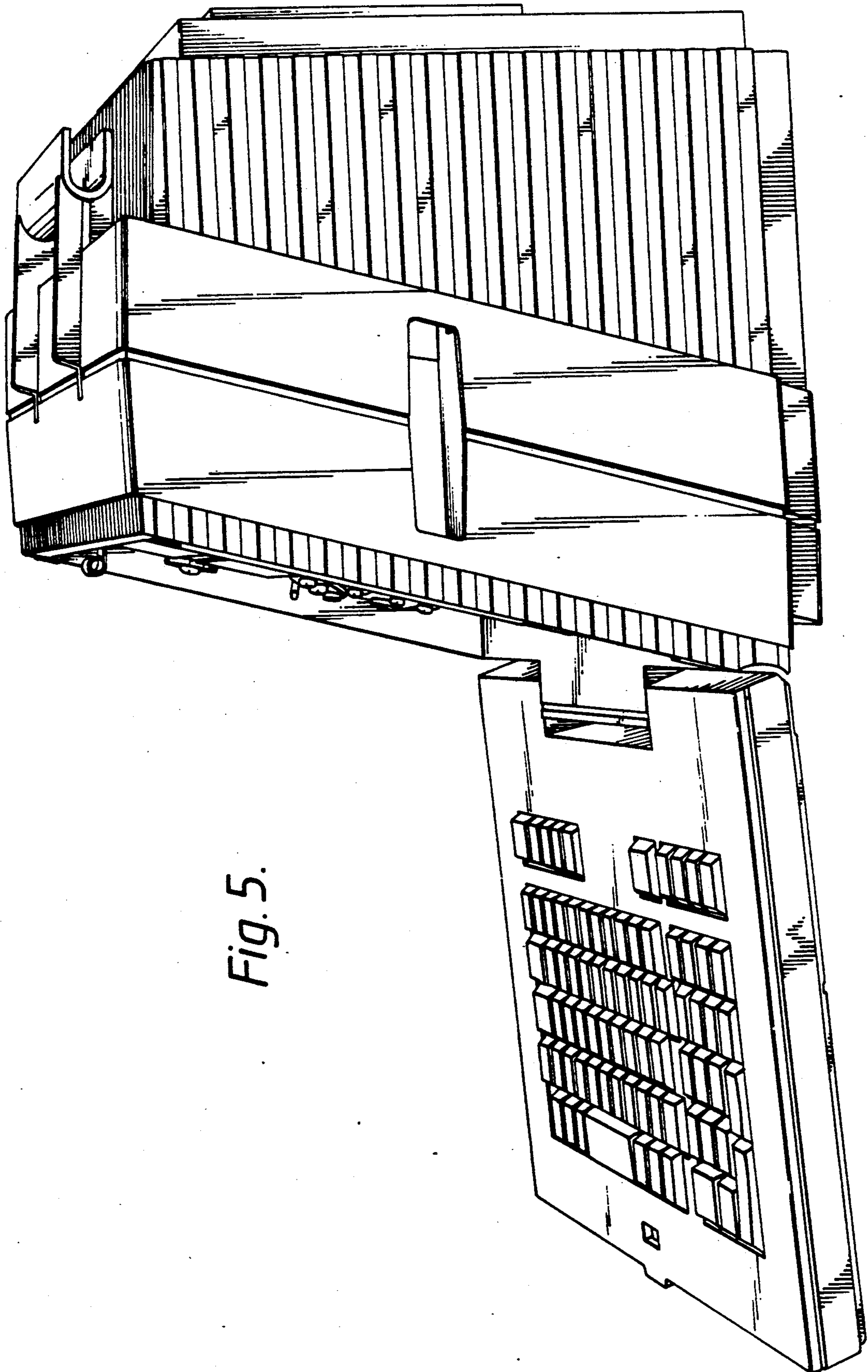


Fig. 5.

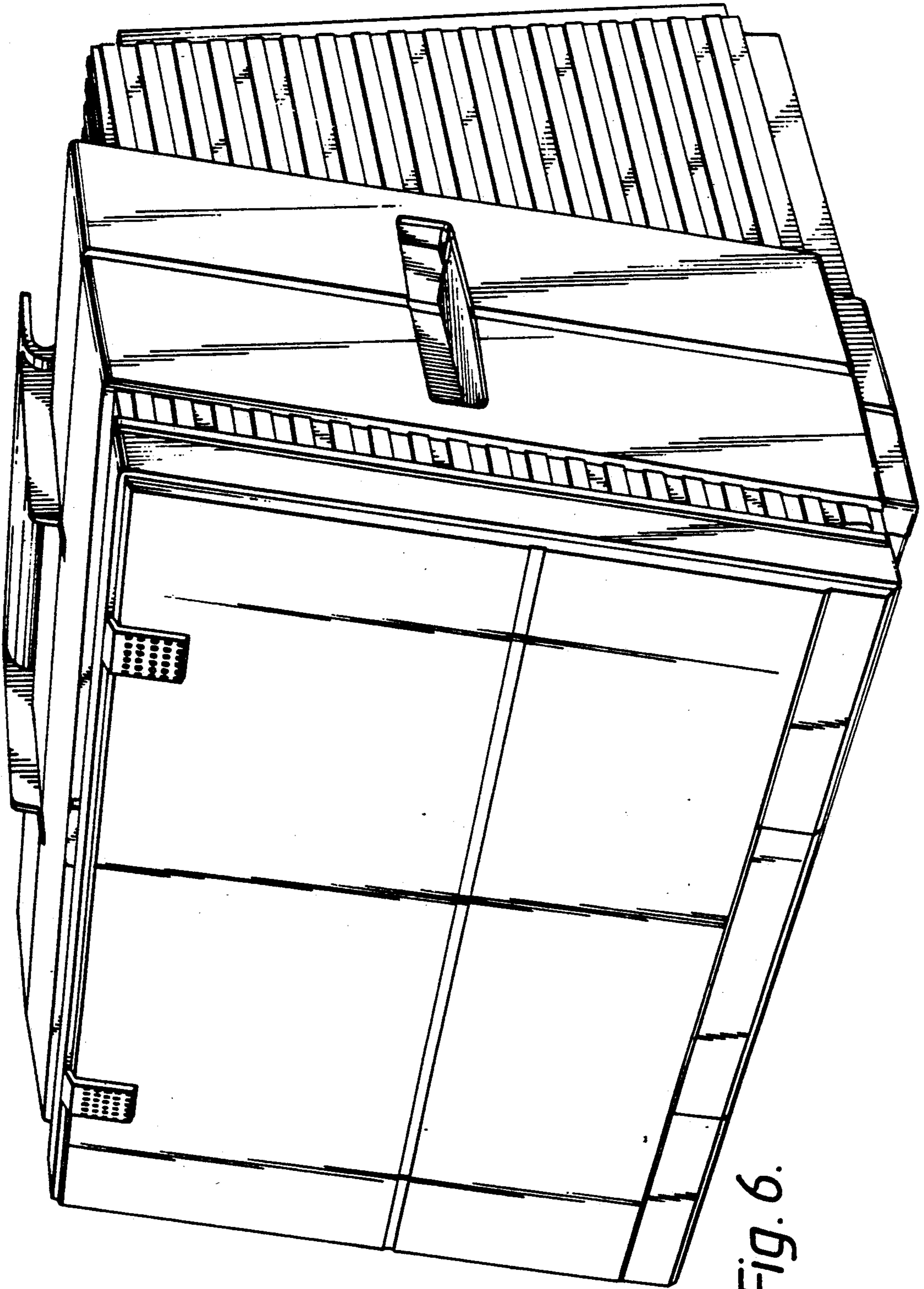


Fig. 6.

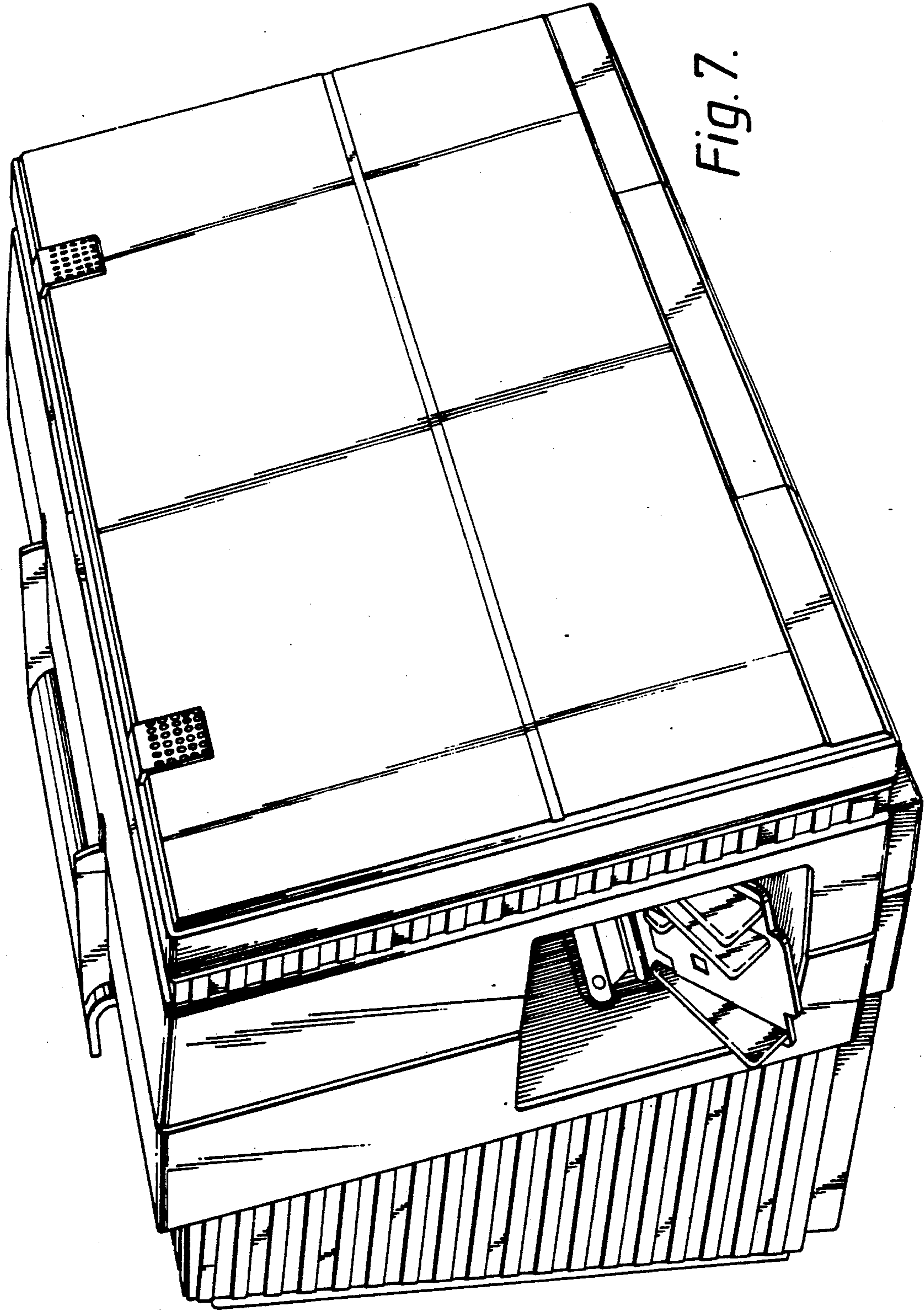


Fig. 7.



Fig. 8.

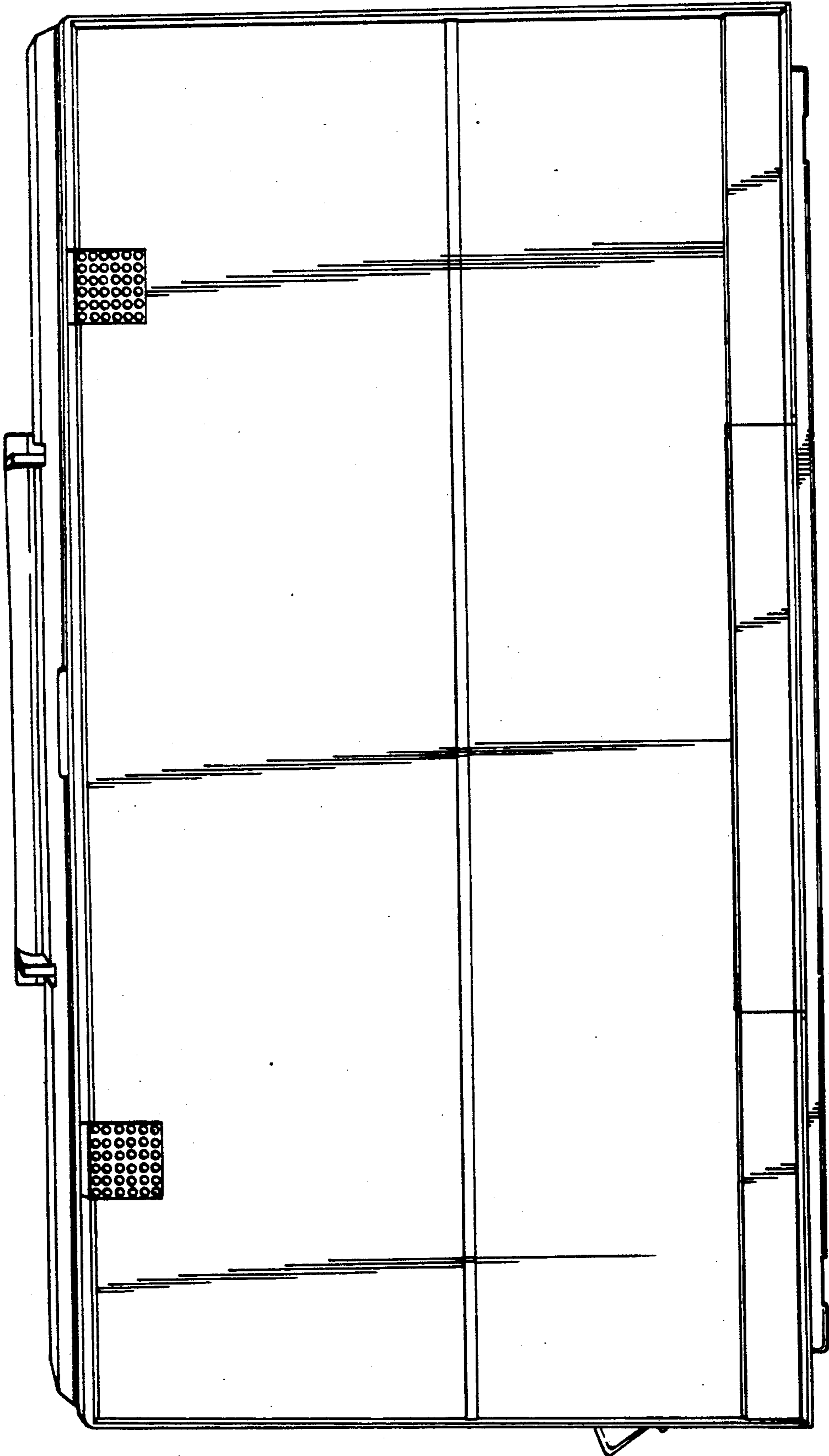
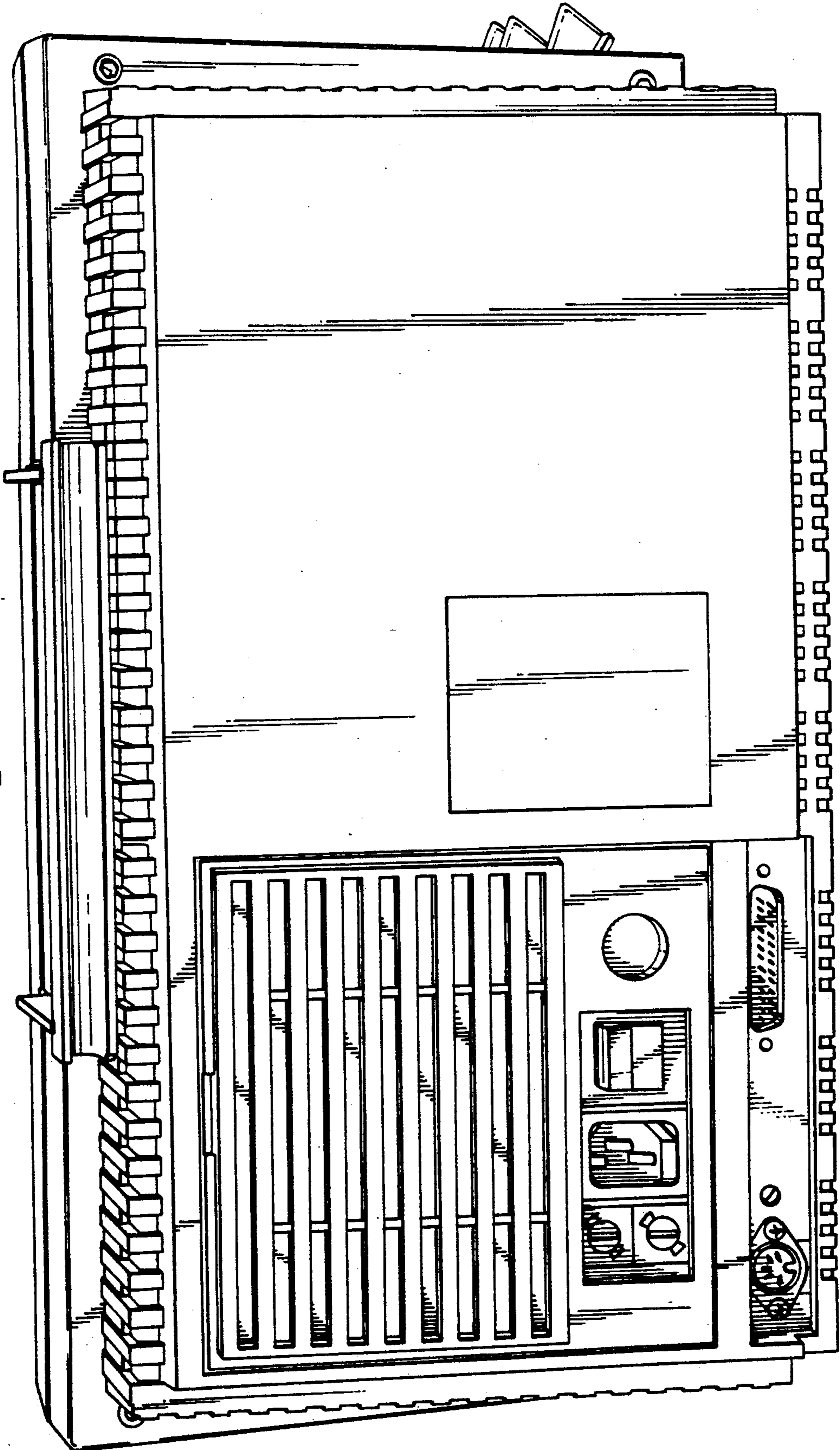
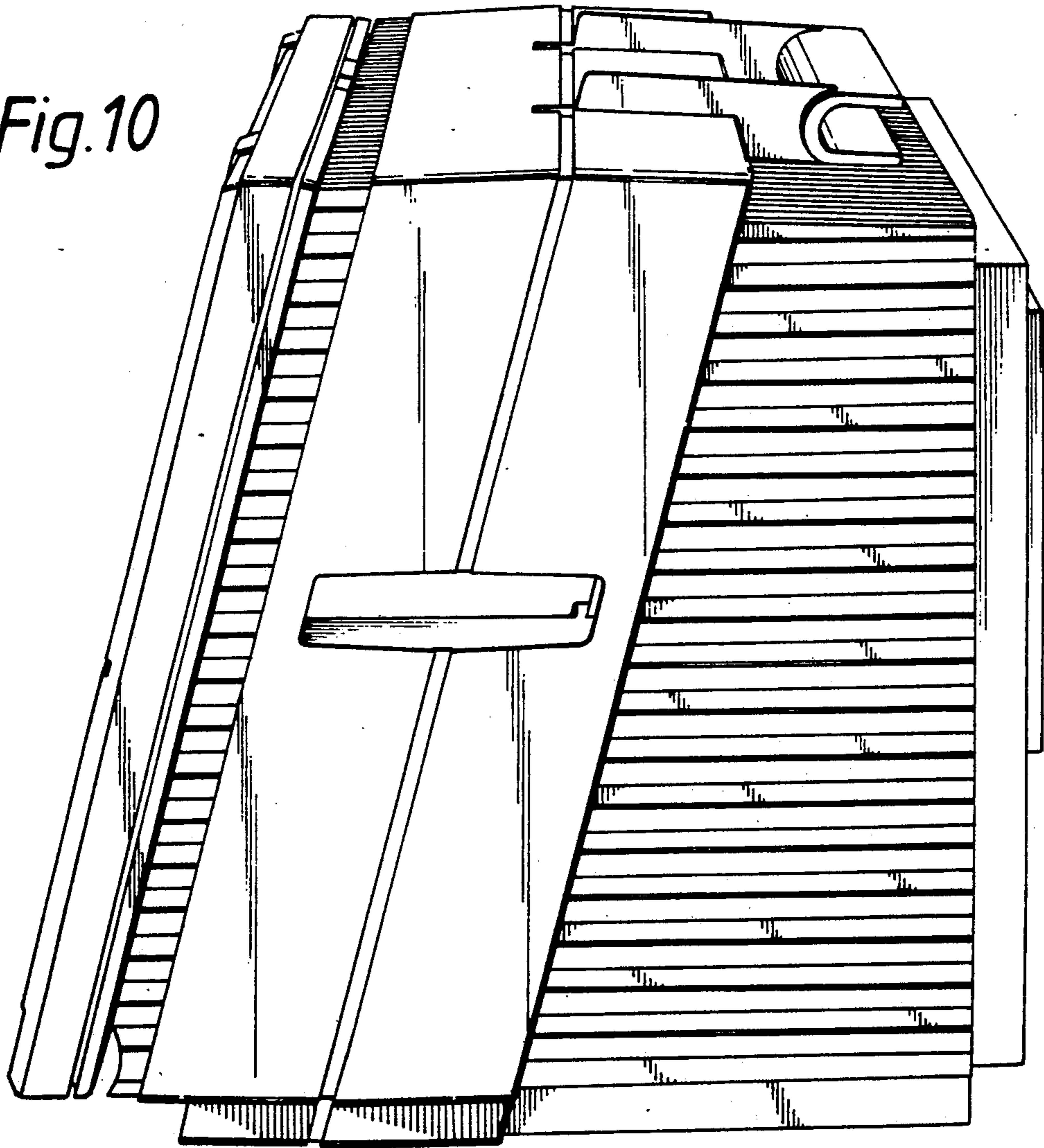
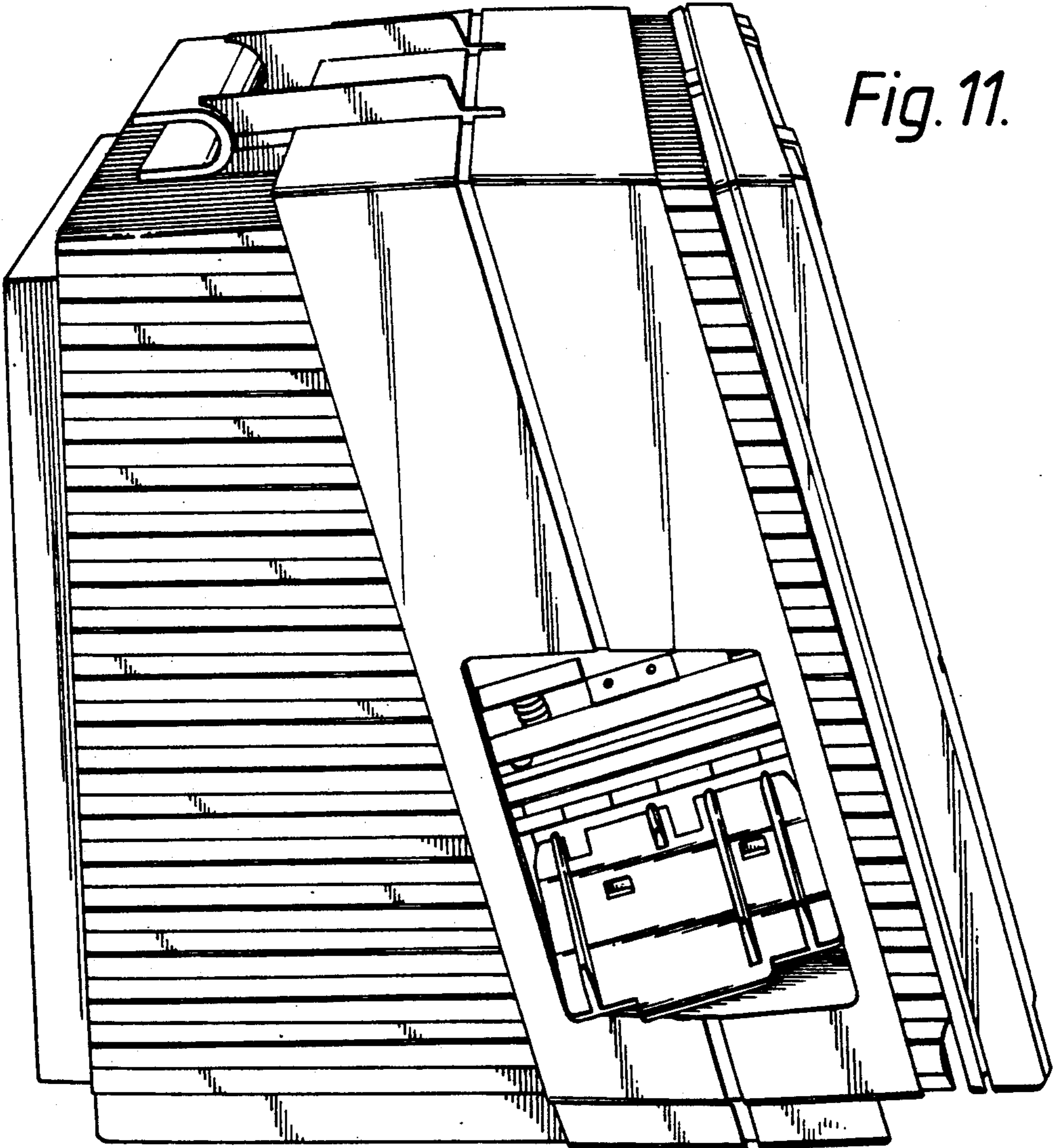


Fig. 9.



*Fig.10*





*Fig. 11.*