



US00D333483S

United States Patent [19]

[11] Patent Number: **Des. 333,483**

Nishimura et al.

[45] Date of Patent: **** Feb. 23, 1993**

[54] **SORTER FOR AN IMAGE FORMING APPARATUS**

[75] Inventors: **Yutaka Nishimura, Hirakata; Yoichiro Irie, Suita, both of Japan**

[73] Assignee: **Mita Industrial Co., Ltd., Japan**

[**] Term: **14 Years**

[21] Appl. No.: **705,141**

[22] Filed: **May 24, 1991**

[30] **Foreign Application Priority Data**

Nov. 30, 1990 [JP] Japan 40477/1990

[52] U.S. Cl. **D18/48**

[58] Field of Search **D18/36-39, D18/46-49, 40, 53, 56; 271/278, 287, 293; 365/322, 323**

[56] **References Cited**

U.S. PATENT DOCUMENTS

- D. 281,699 12/1985 Fukuda D18/48
- D. 284,086 6/1986 Goto D18/48
- D. 286,539 11/1986 Hashimoto D18/48
- D. 295,758 5/1988 Kosako D18/48

- D. 299,832 2/1989 Hara D18/48
- D. 309,631 7/1990 Tanizawa et al. D18/48
- D. 309,632 7/1990 Komada et al. D18/48
- D. 309,912 8/1990 Hirata D18/48
- D. 320,809 10/1991 Hiroki D18/48
- D. 329,454 9/1992 Sugihara et al. D18/48
- 4,878,660 11/1989 Irie 271/293

Primary Examiner—Alan P. Douglas
Assistant Examiner—Ann Hunt
Attorney, Agent, or Firm—Beveridge, DeGrandi, Weilacher

[57] **CLAIM**

The ornamental design of a sorter for an image forming apparatus, as shown.

DESCRIPTION

FIG. 1 is a front elevational view of a sorter for an image forming apparatus showing our new design; FIG. 2 is a rear elevational view; FIG. 3 is a top plan view; FIG. 4 is a right side elevational view; FIG. 5 is a left side elevational view; FIG. 6 is a bottom plan view; and, FIG. 7 is a perspective view thereof.

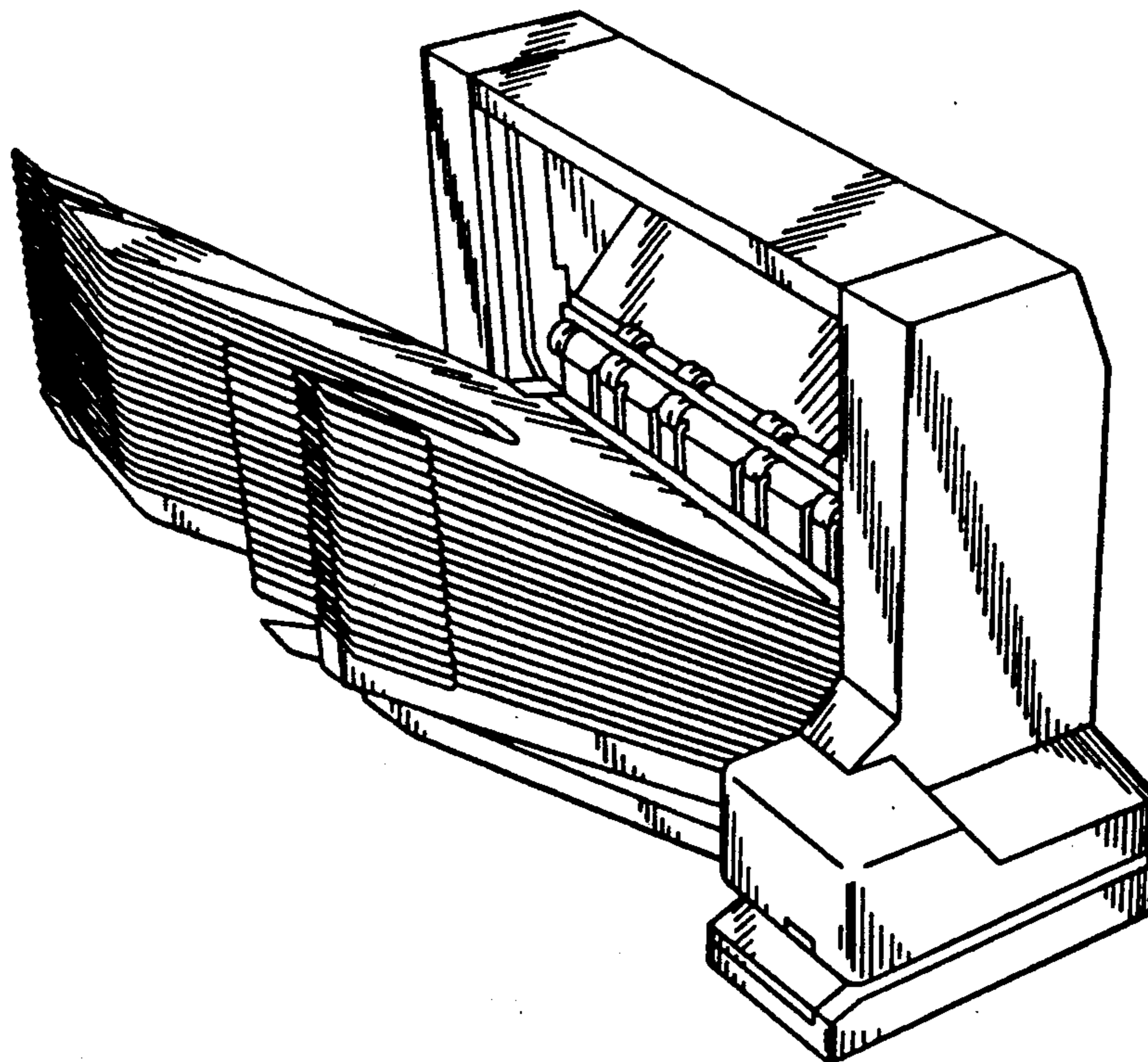


FIG. 1

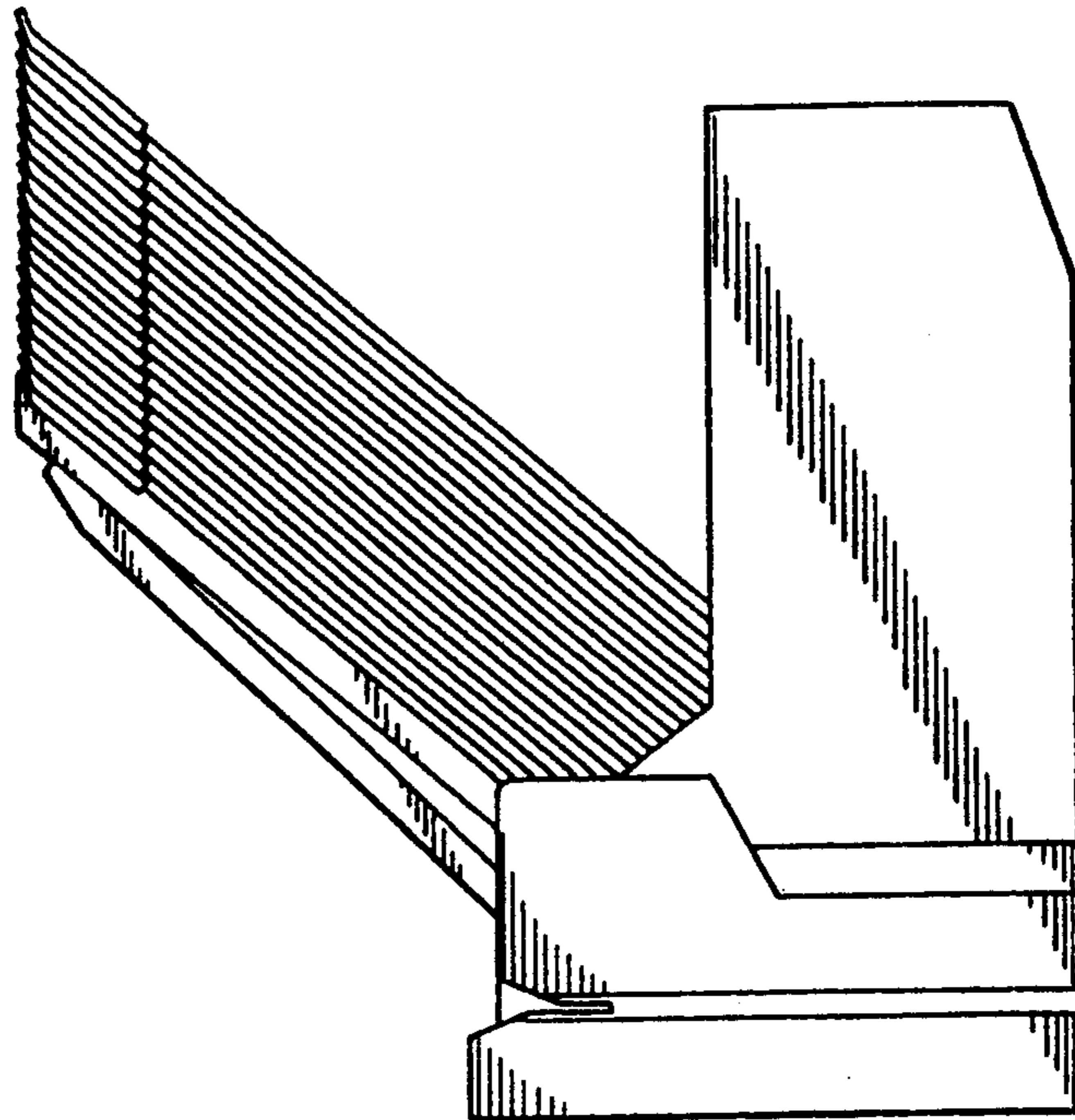


FIG. 2

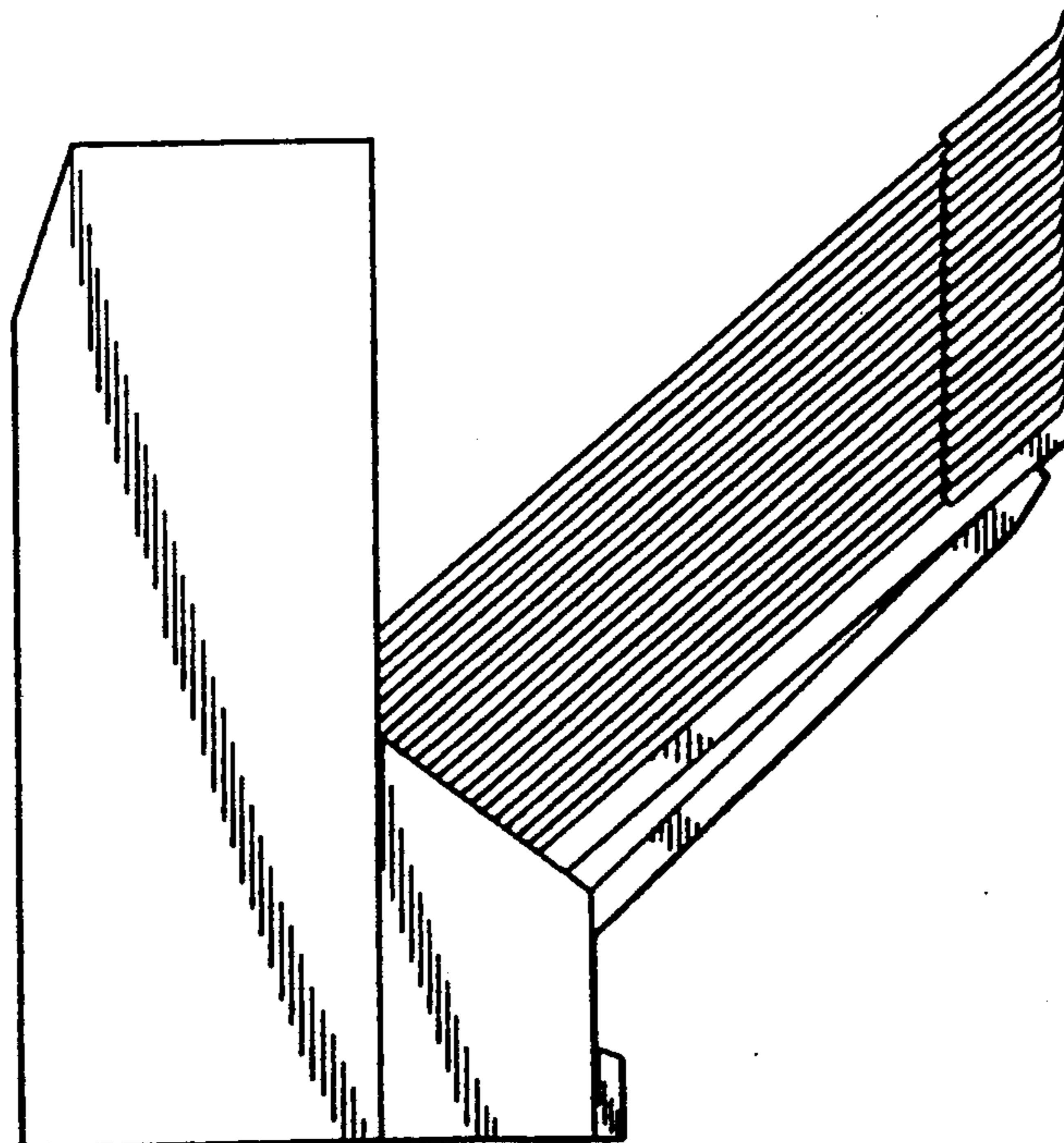


FIG. 3

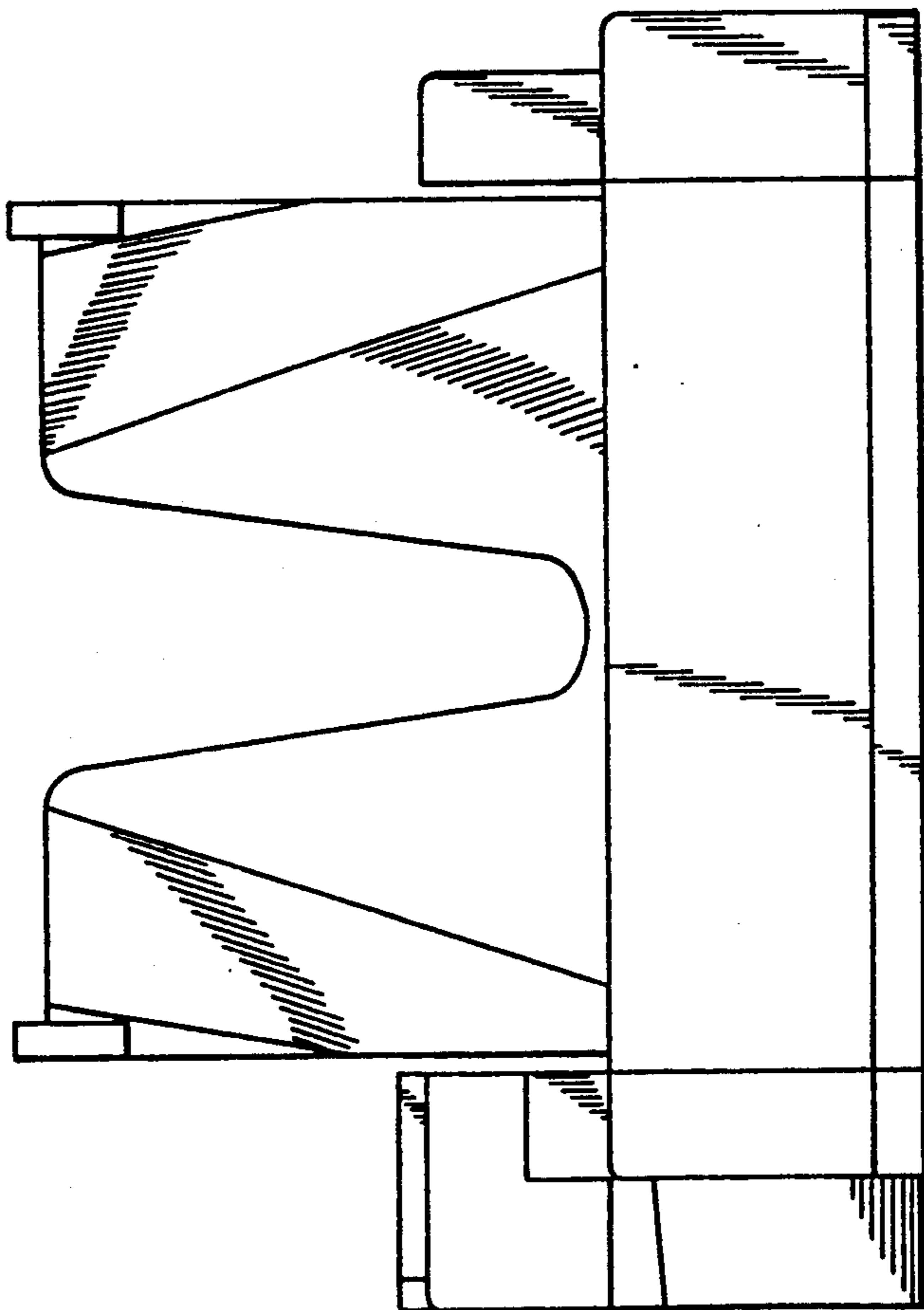


FIG. 4

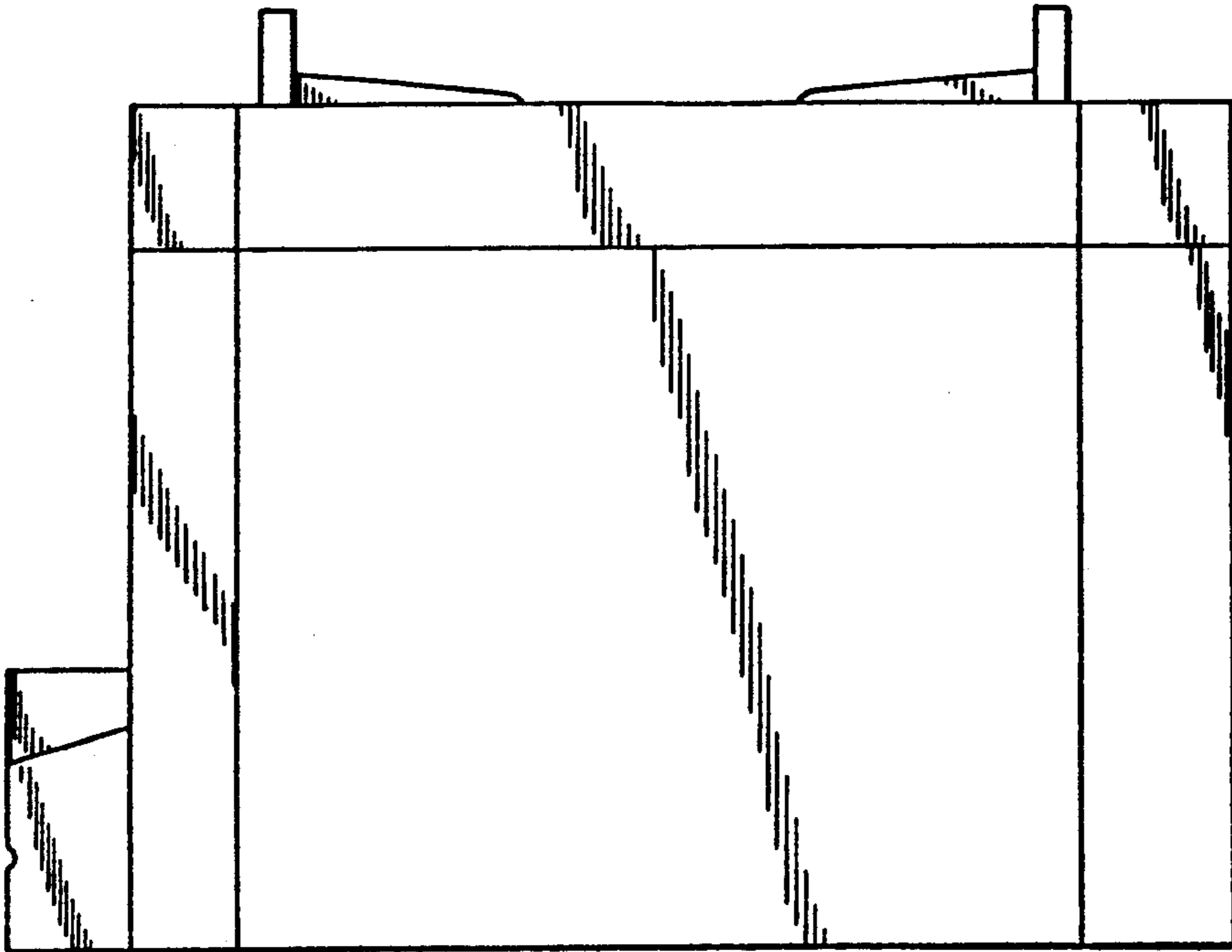


FIG. 5

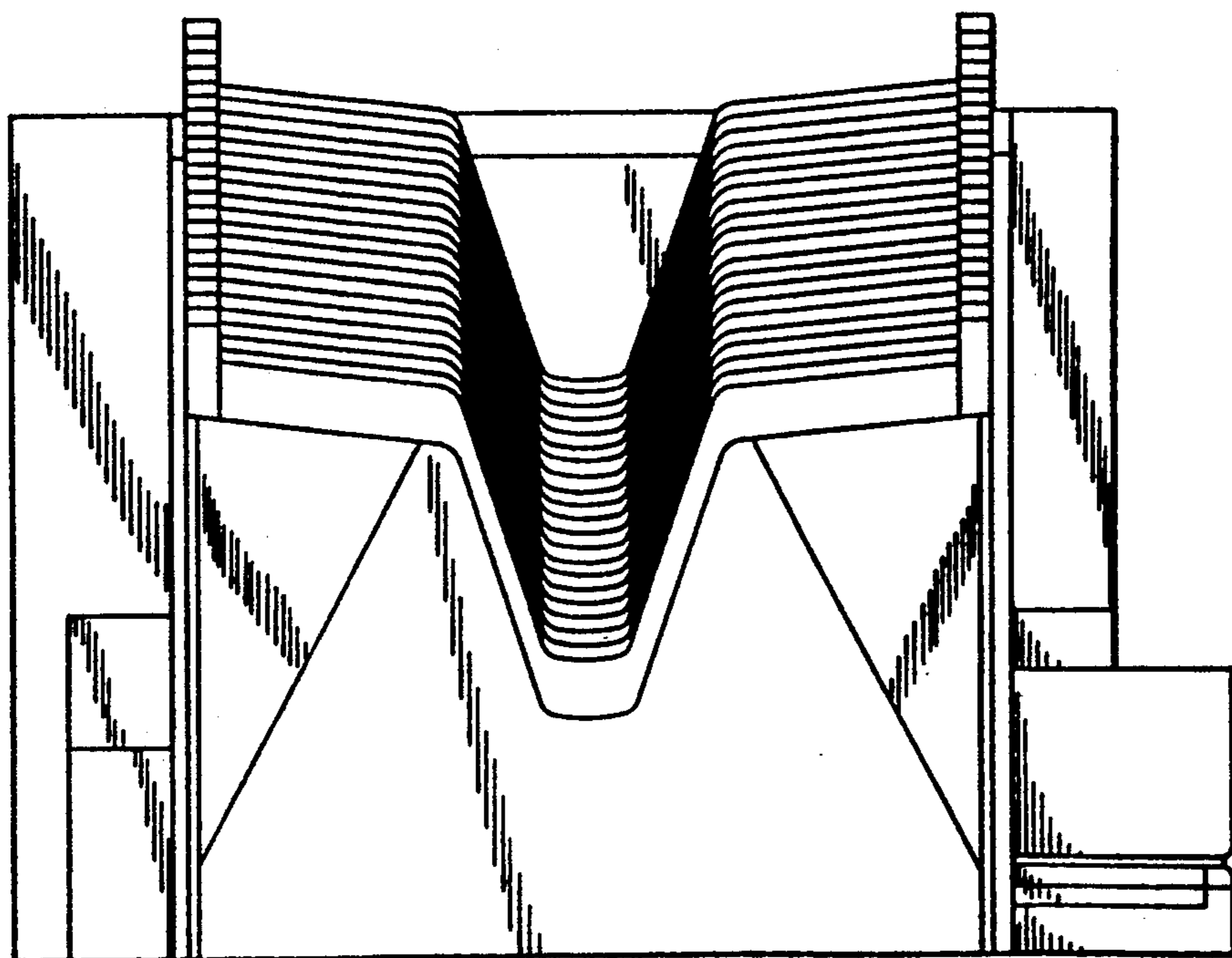


FIG. 6

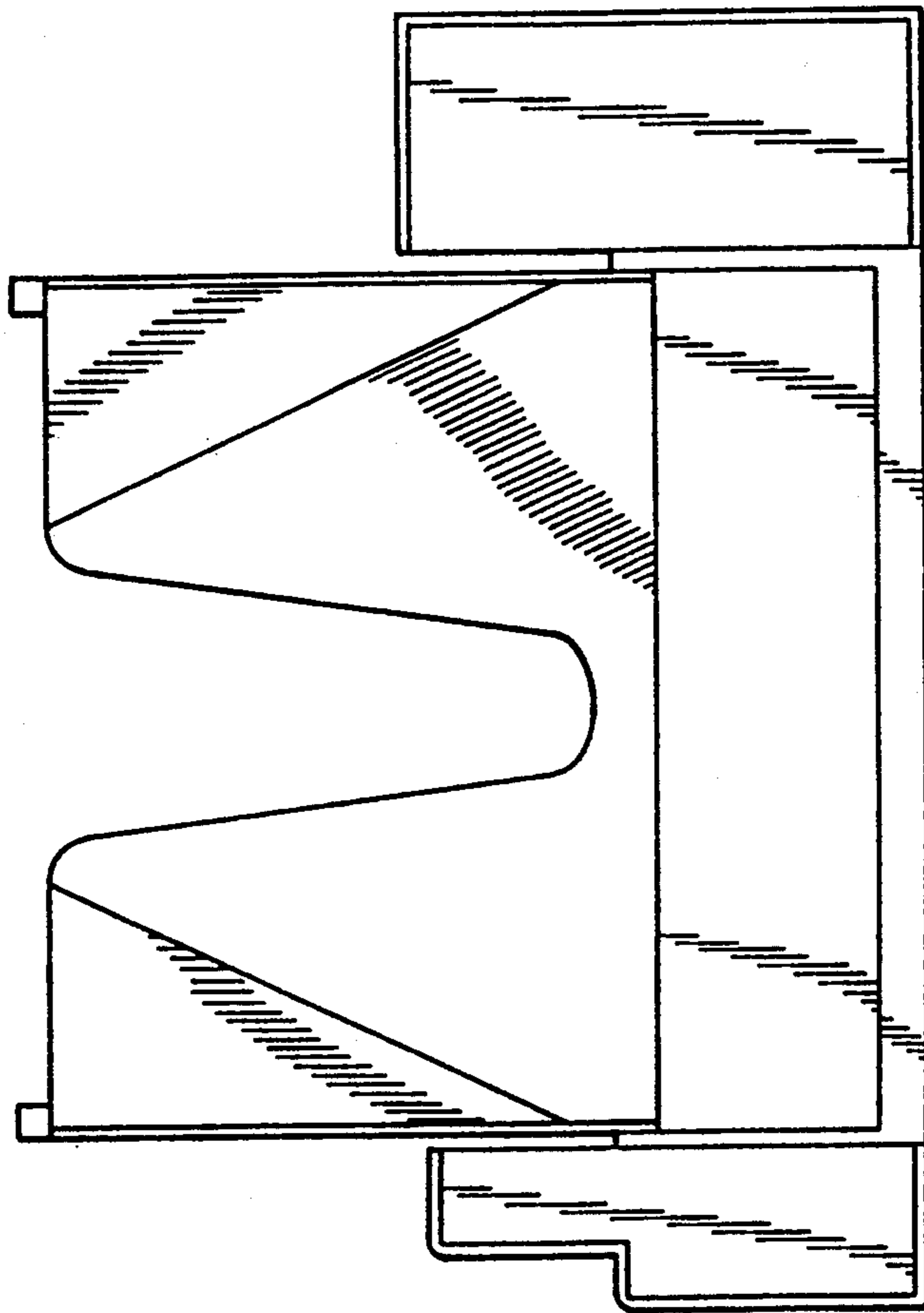


FIG. 7

