



US00D333481S

# United States Patent [19]

[11] Patent Number: **Des. 333,481**

Laurent

[45] Date of Patent: **\*\* Feb. 23, 1993**

[54] **INK RIBBON CARTRIDGE**

D. 314,971 2/1991 Nakamura et al. .... D18/12

[75] Inventor: **Jean-Marie G. Laurent, Gonesse, France**

**OTHER PUBLICATIONS**

Office Products Dealer, Feb. 1980, p. 95, Ink Cartridge top left of page.

[73] Assignee: **I.E.R., Courbevoie, France**

*Primary Examiner*—Alan P. Douglas  
*Assistant Examiner*—Ann Hunt  
*Attorney, Agent, or Firm*—Finnegan, Henderson, Farabow, Garrett & Dunner

[\*\*] Term: **14 Years**

[21] Appl. No.: **510,820**

[22] Filed: **Apr. 18, 1990**

[57] **CLAIM**

The ornamental design for an ink ribbon cartridge, as shown and described.

[30] **Foreign Application Priority Data**

Oct. 18, 1989 [FR] France ..... 896509

**DESCRIPTION**

[52] U.S. Cl. .... **D18/12**

[58] Field of Search ..... D18/12, 22, 99;  
D14/114, 121; 400/194, 195, 196, 196.1, 207,  
208

FIG. 1 is a front elevational view of an ink ribbon cartridge showing my new design;  
FIG. 2 is a top plan view;  
FIG. 3 is a bottom plan view;  
FIG. 4 is a rear elevational view;  
FIG. 5 is a right side elevational view;  
FIG. 6 is a left side elevational view; and,  
FIG. 7 is a perspective view.

[56] **References Cited**

**U.S. PATENT DOCUMENTS**

- D. 188,725 8/1960 Wren ..... D14/121
- D. 253,312 10/1979 Lenney et al. .... D18/12
- D. 253,354 11/1979 Lenney et al. .... D18/12

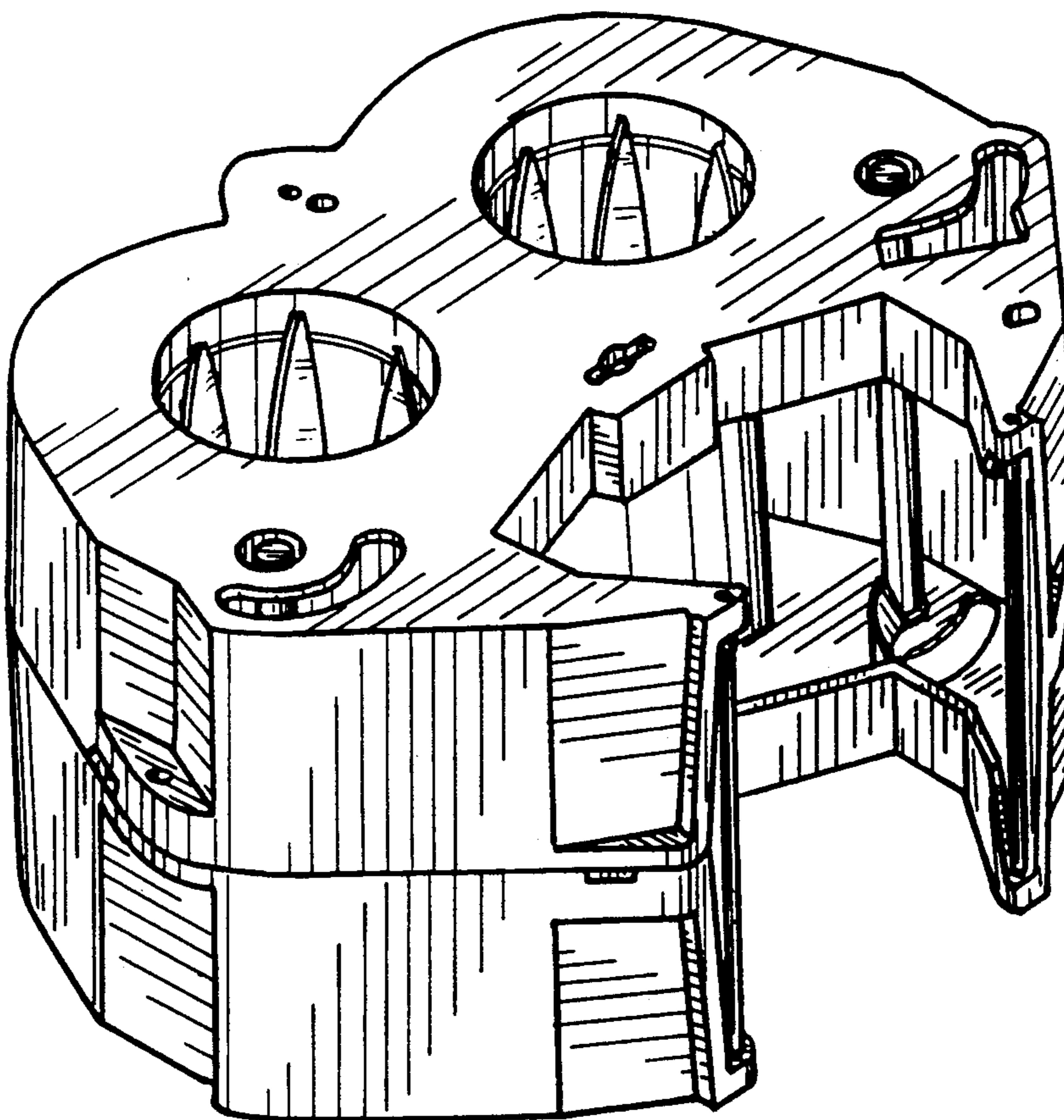


FIG. 3

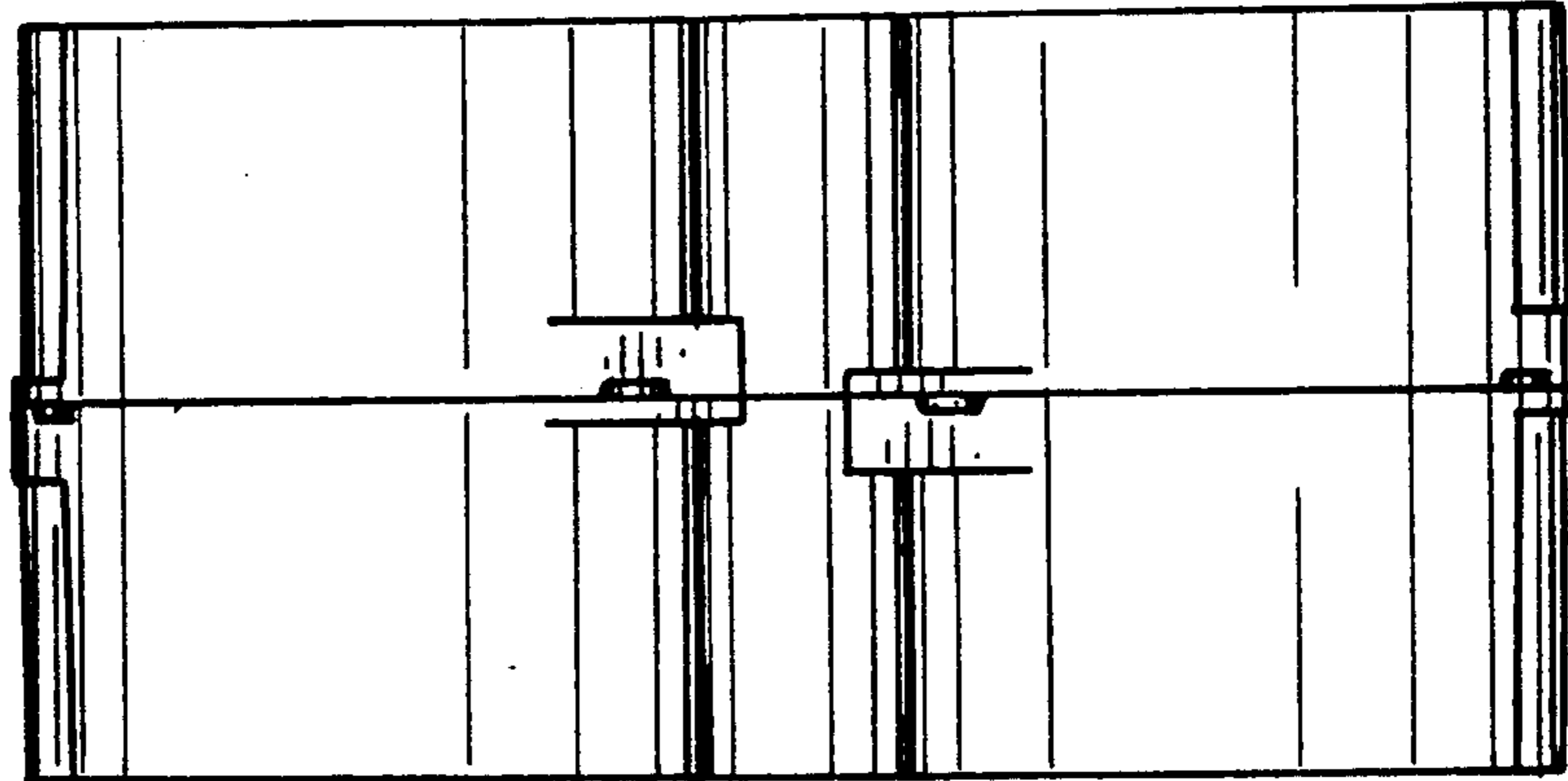


FIG. 1

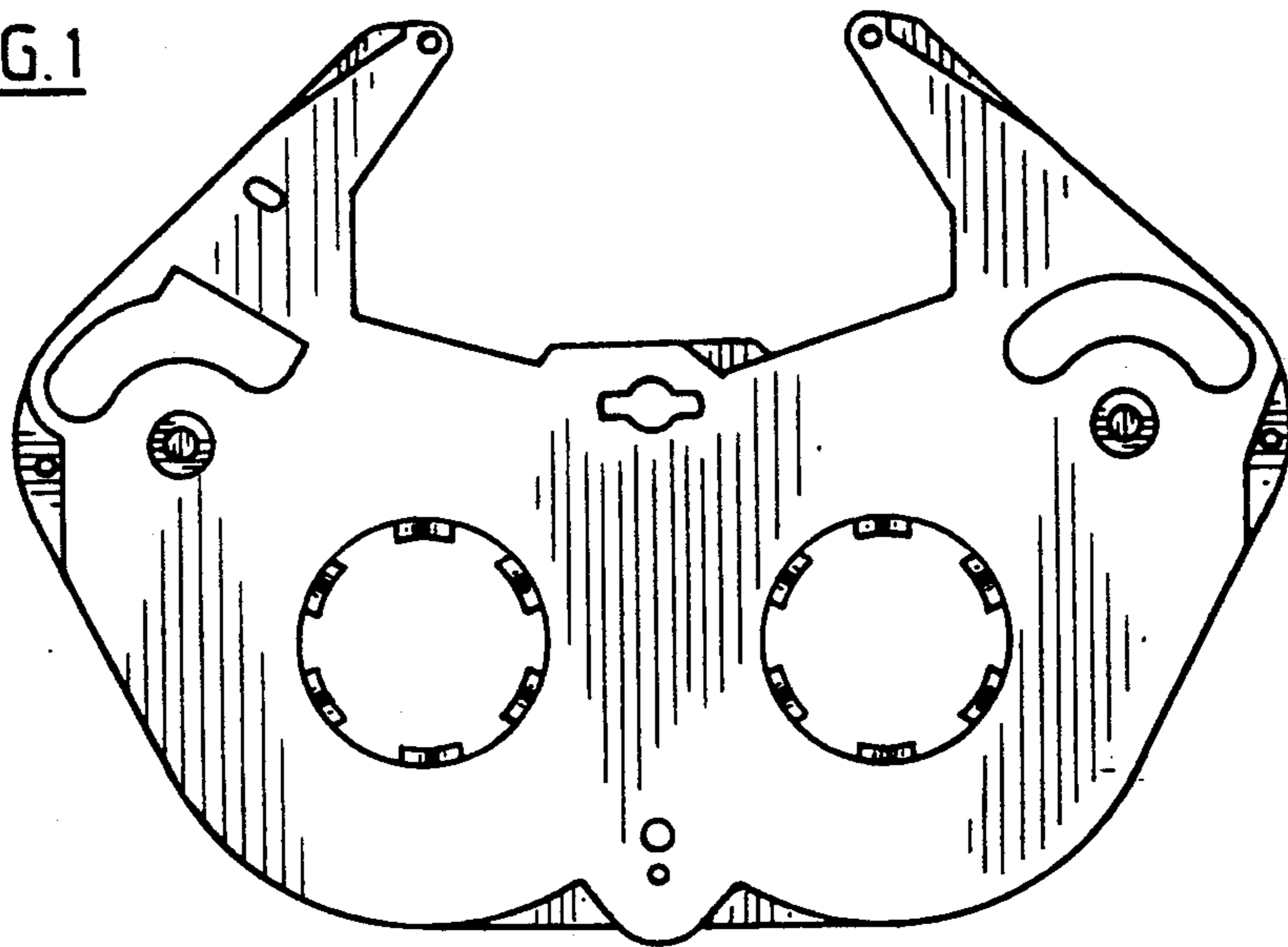


FIG. 2

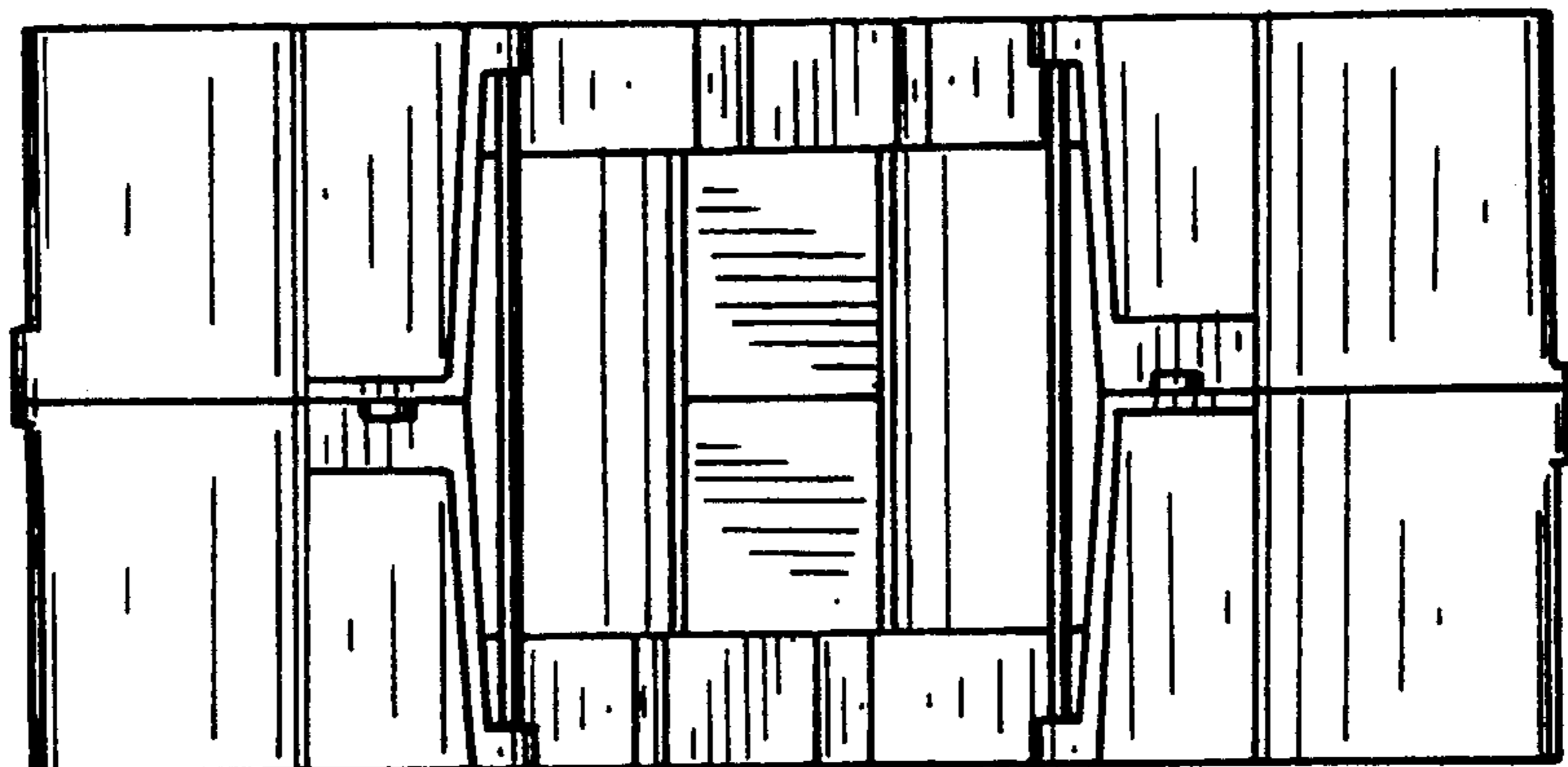


FIG. 6

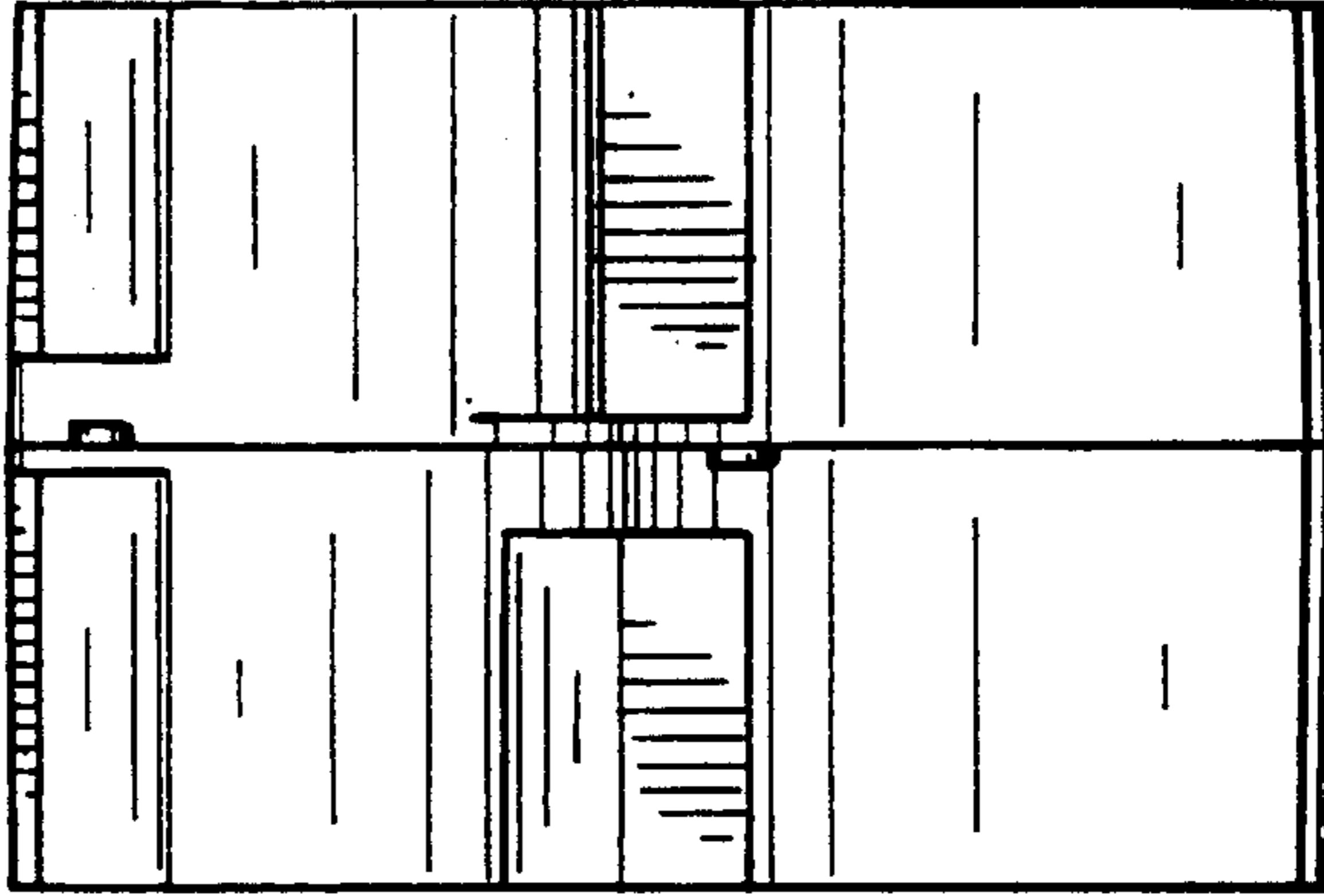


FIG. 4

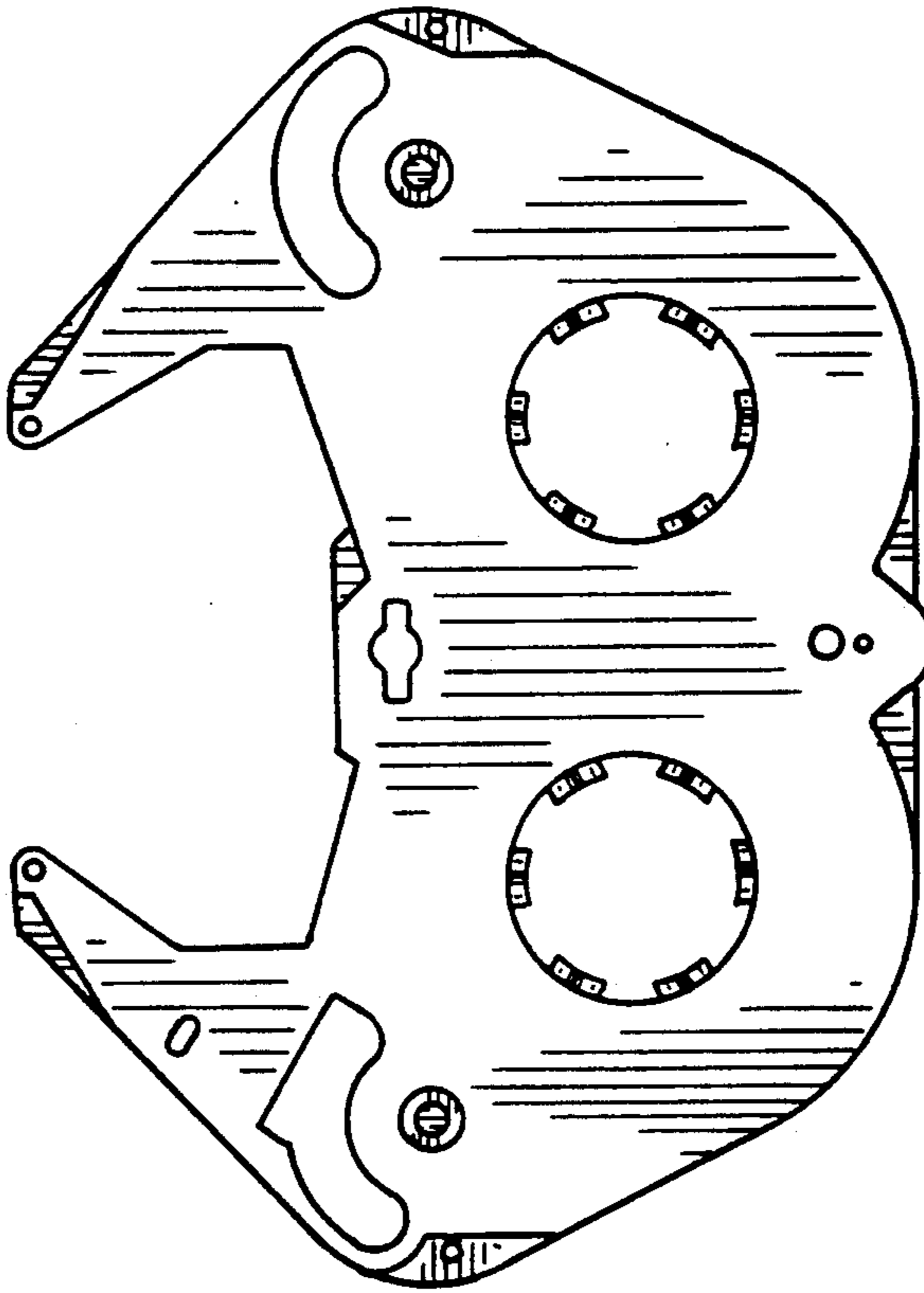
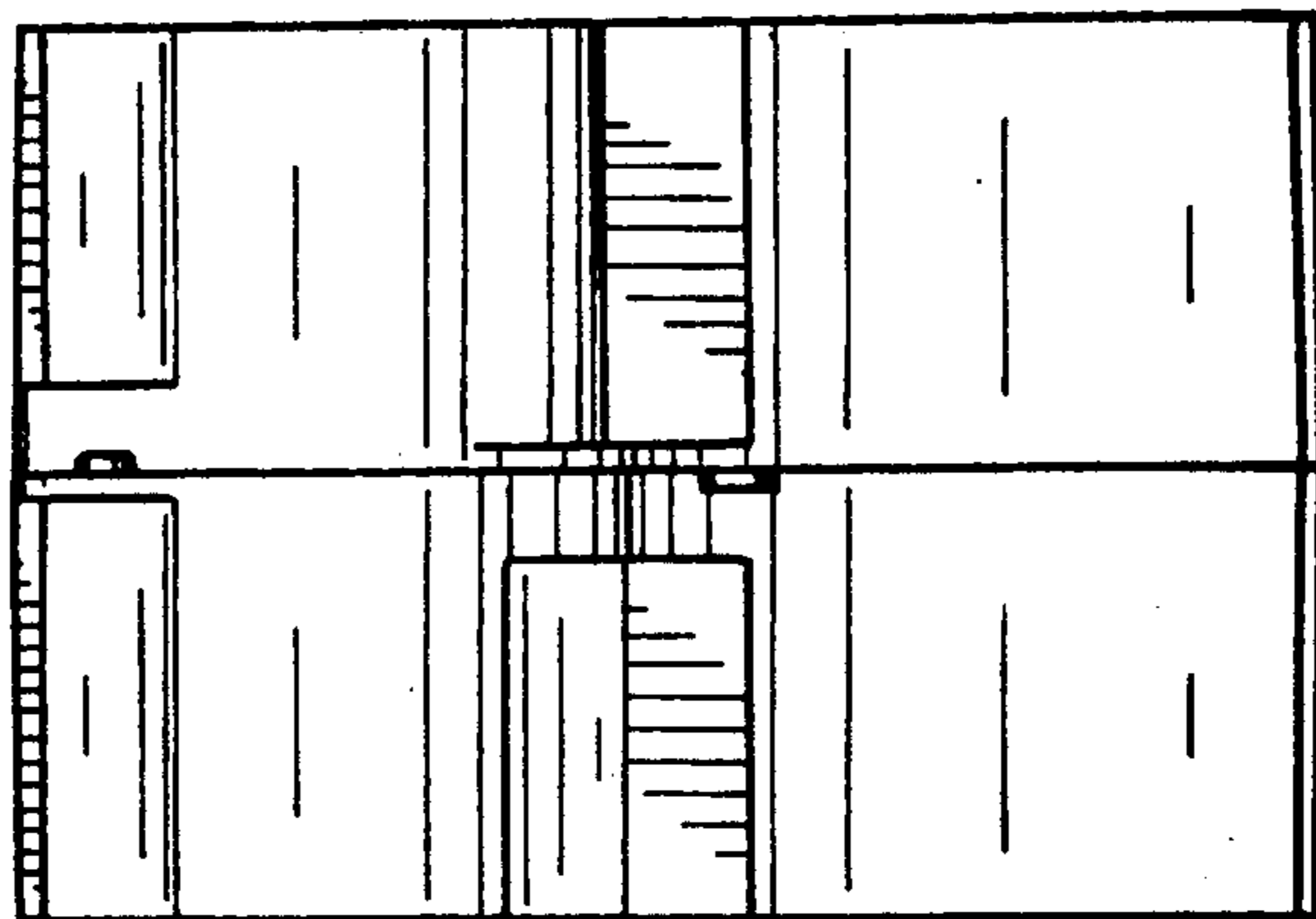


FIG. 5



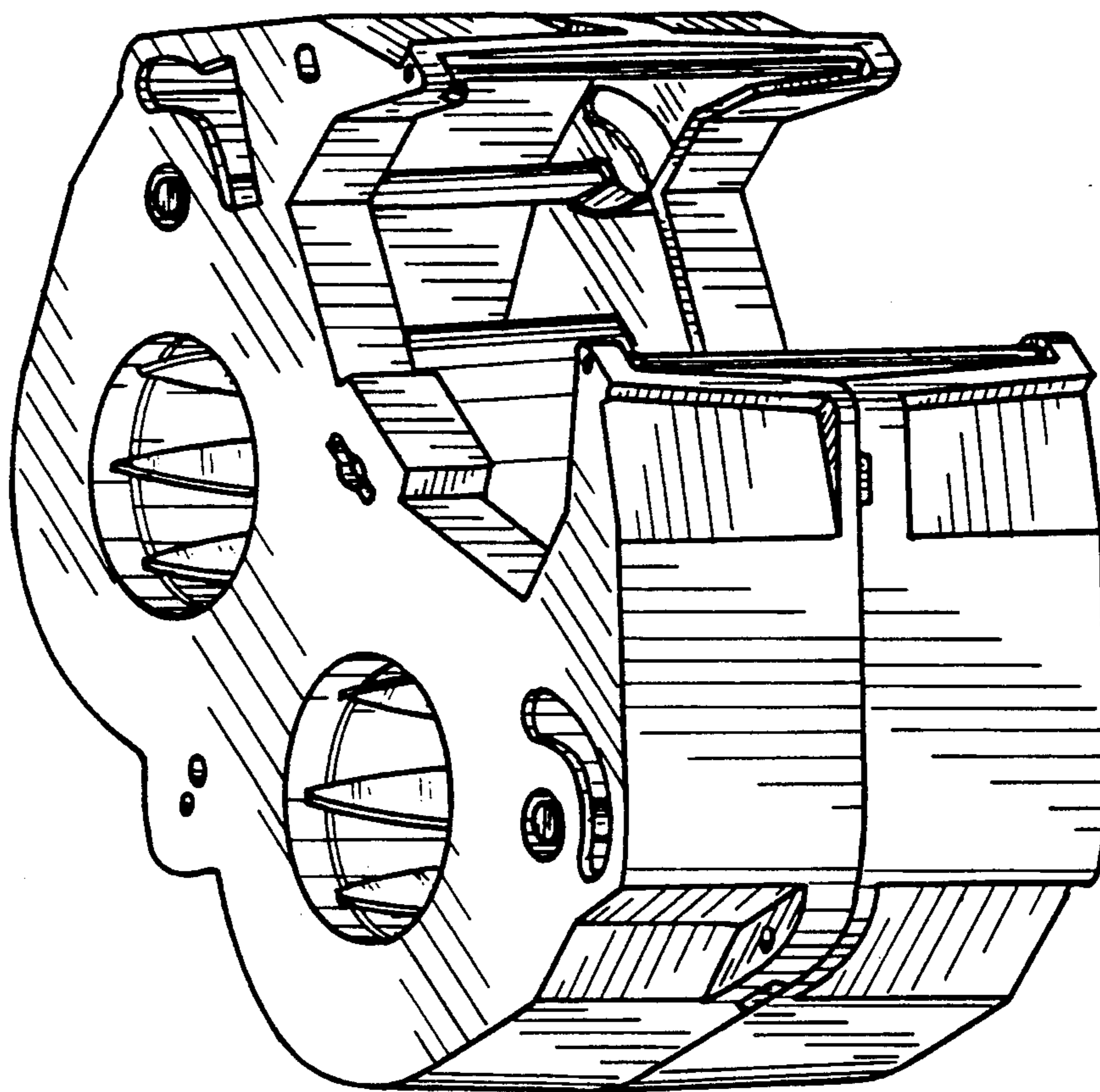


FIG. 7