



US00D333479S

United States Patent [19]

[11] Patent Number: **Des. 333,479**

Chun-Mao

[45] Date of Patent: **** Feb. 23, 1993**

[54] TRIPOD FOR A CAMERA

[76] Inventor: **Lee Chun-Mao**, No. 22, Alley 7, Lane 428, Chung Cheng N. Rd., San Chorng City, Taipei Hsien, Taiwan

[**] Term: **14 Years**

[21] Appl. No.: **629,125**

[22] Filed: **Dec. 17, 1990**

[52] U.S. Cl. **D16/244**

[58] Field of Search **D16/237, 242, 244, 245; 248/168-171; 354/293**

[56] References Cited

U.S. PATENT DOCUMENTS

D. 263,147	2/1982	Iwasaki	D16/244
D. 269,880	7/1983	Iwasaki	D16/244
4,289,393	9/1981	Kawazoe	354/293
4,324,477	4/1982	Miyazaki	354/293

OTHER PUBLICATIONS

Popular Photography, Feb. 1988 p. 8 (Tripod-Cullmann 2901).

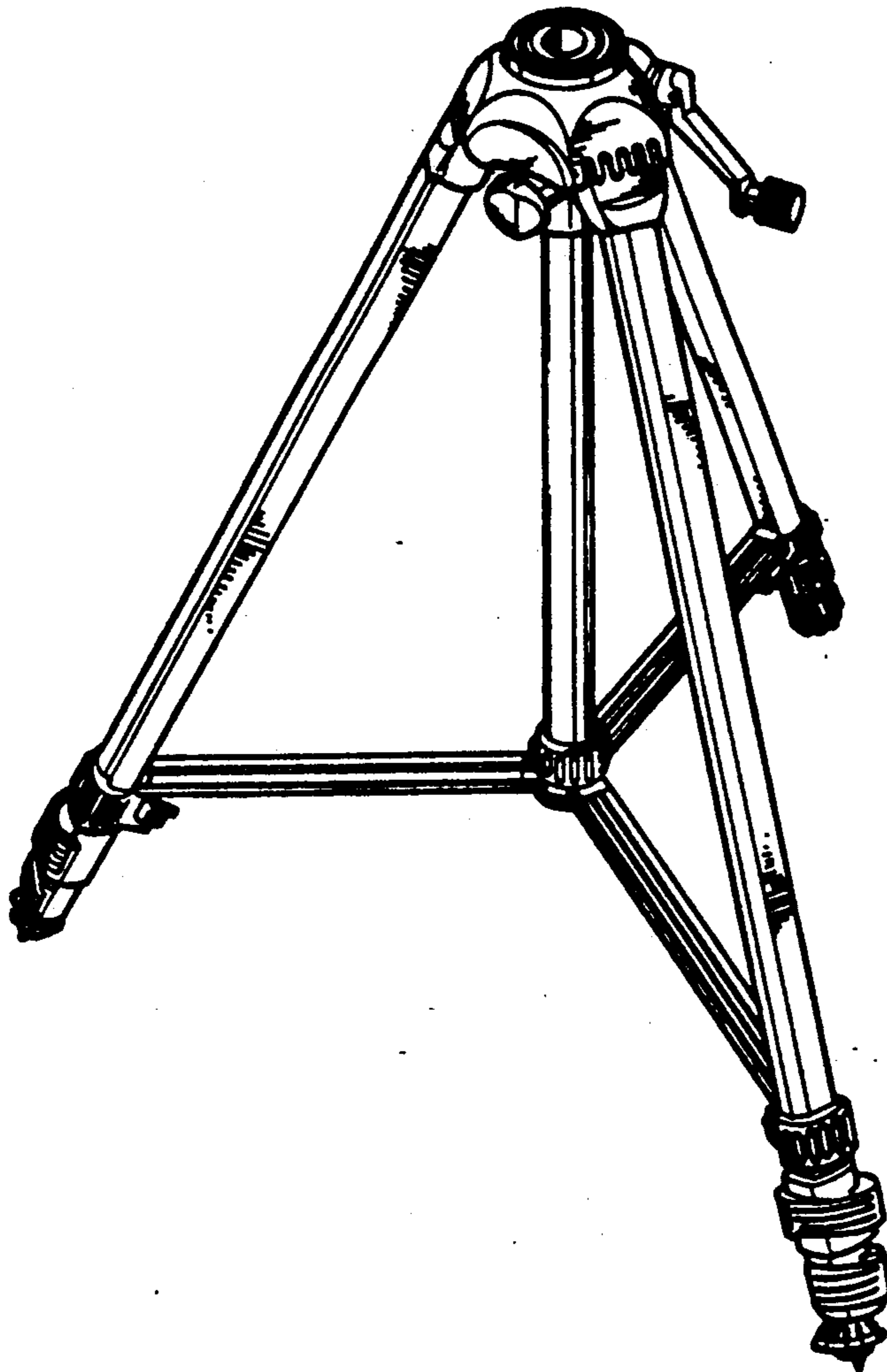
Primary Examiner—Bernard Ansher
Assistant Examiner—Adir Aronovich
Attorney, Agent, or Firm—Poms, Smith, Lande & Rose

[57] CLAIM

The ornamental design for a tripod for a camera, as shown and described.

DESCRIPTION

FIG. 1 is a top, side perspective view of a tripod for a camera showing my new design;
FIG. 2 is a left side elevational view thereof;
FIG. 3 is a right side elevational view thereof;
FIG. 4 is a top plan view thereof;
FIG. 5 is a bottom plan view thereof;
FIG. 6 is a rear elevational view thereof; and,
FIG. 7 is a front elevational view thereof.



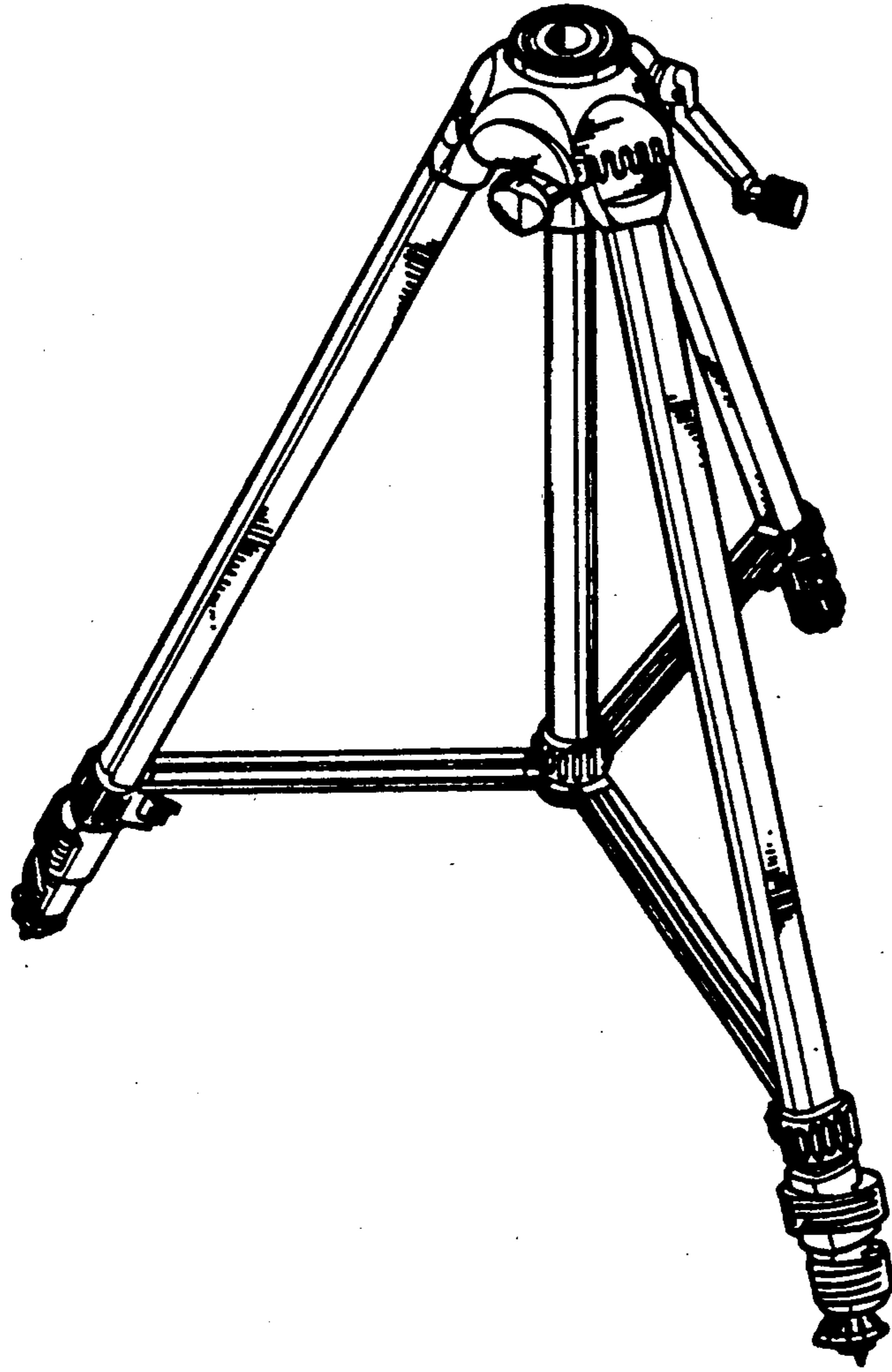


FIG. 1

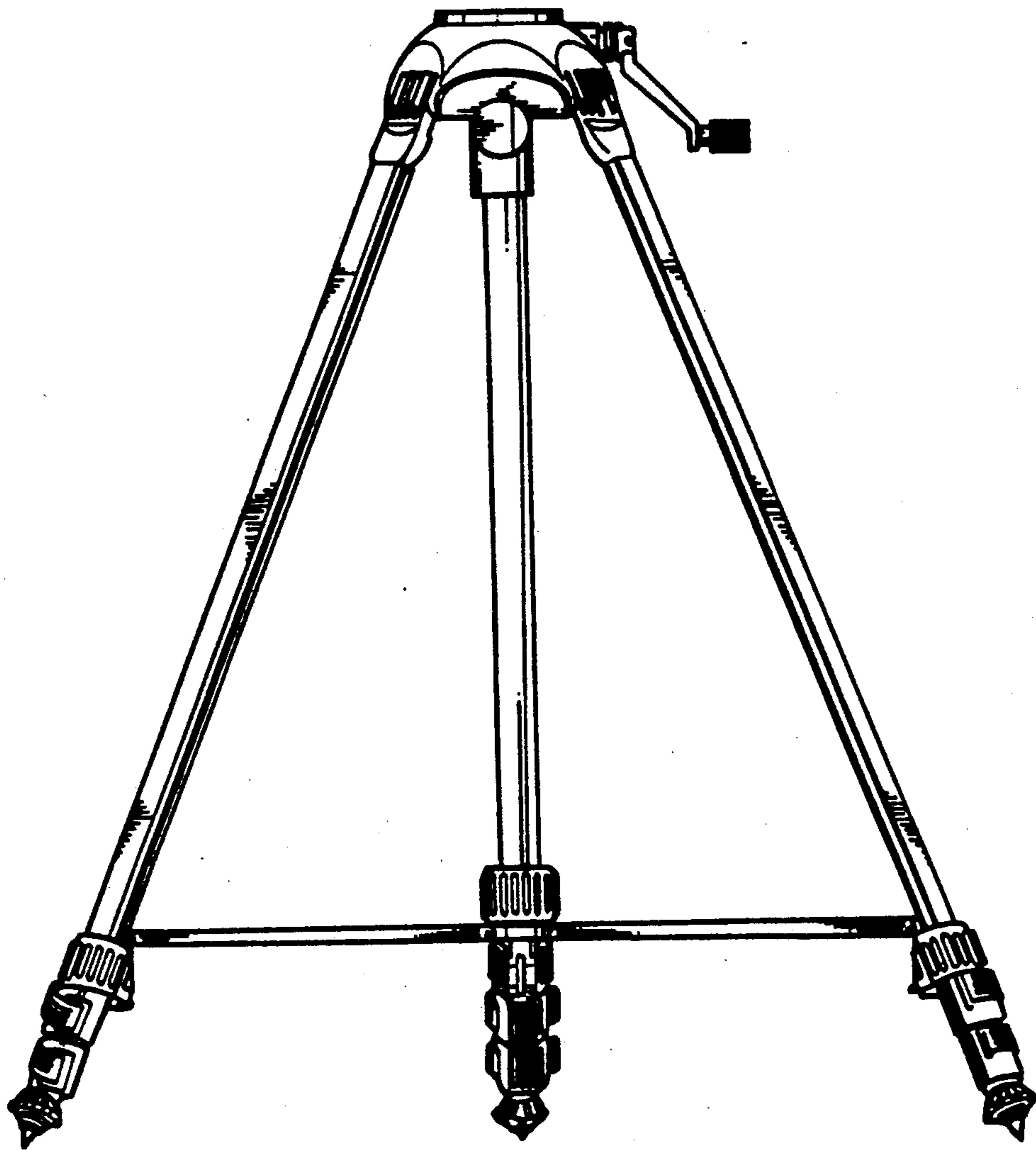


FIG. 2

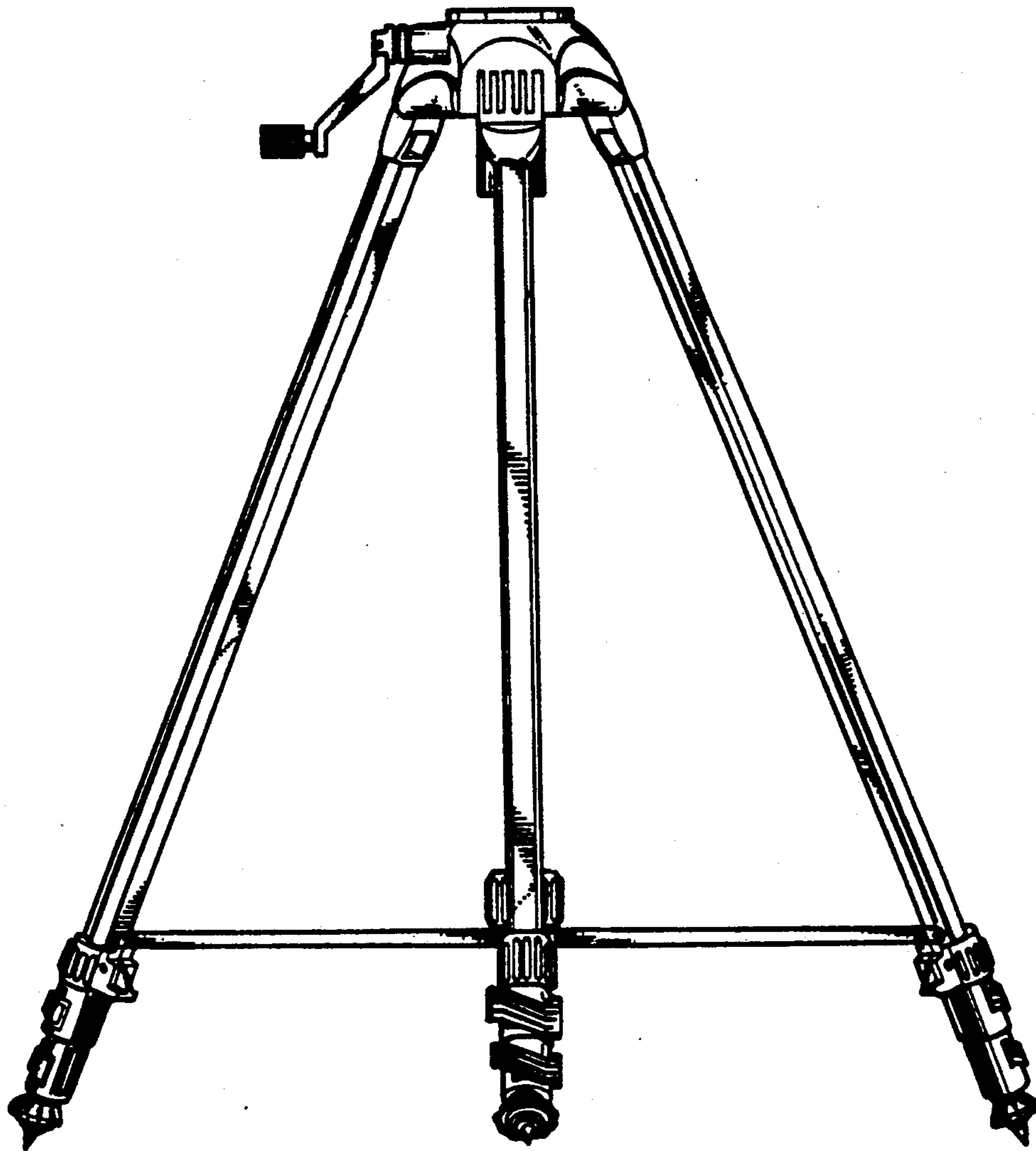


FIG. 3

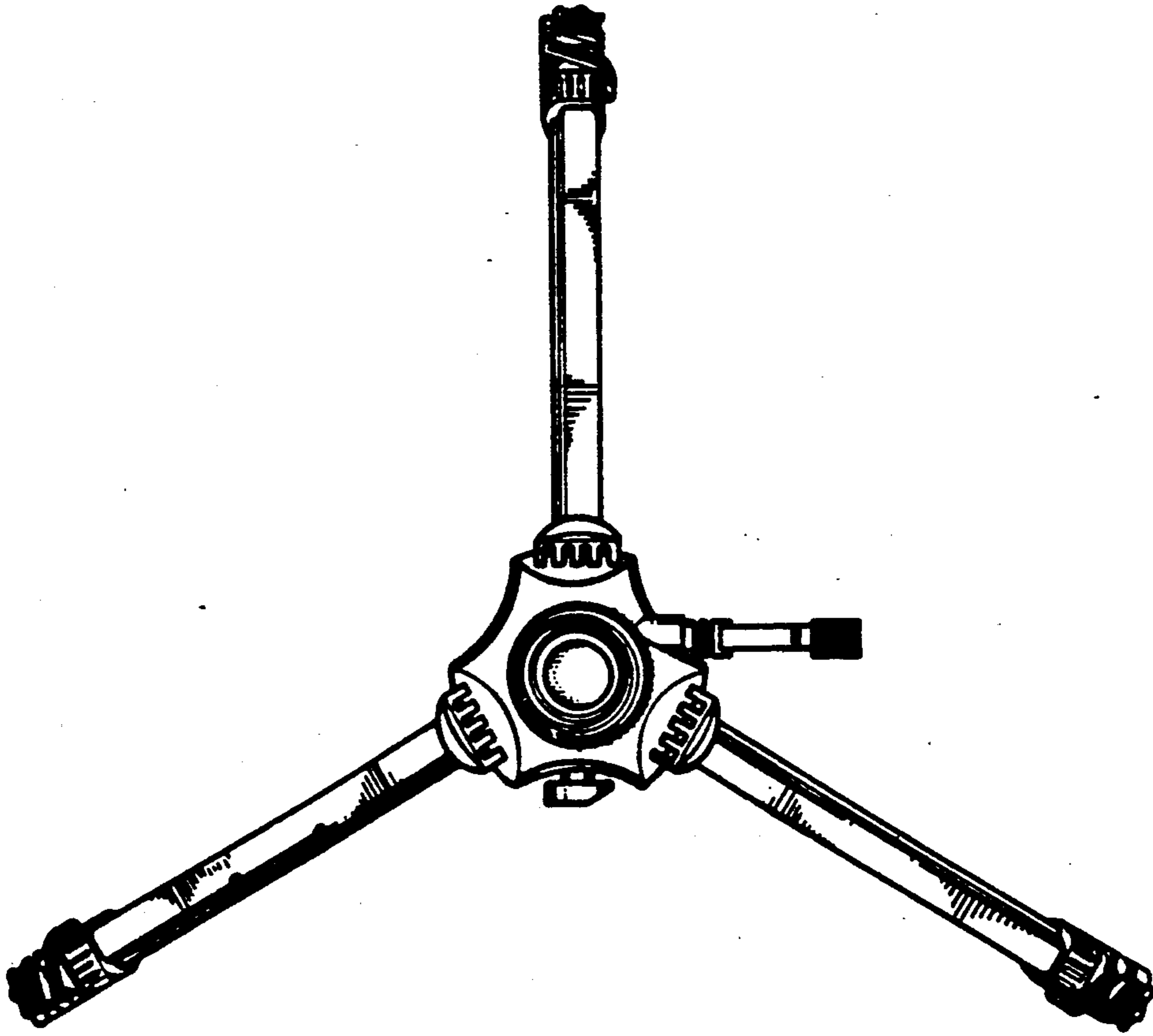


FIG. 4

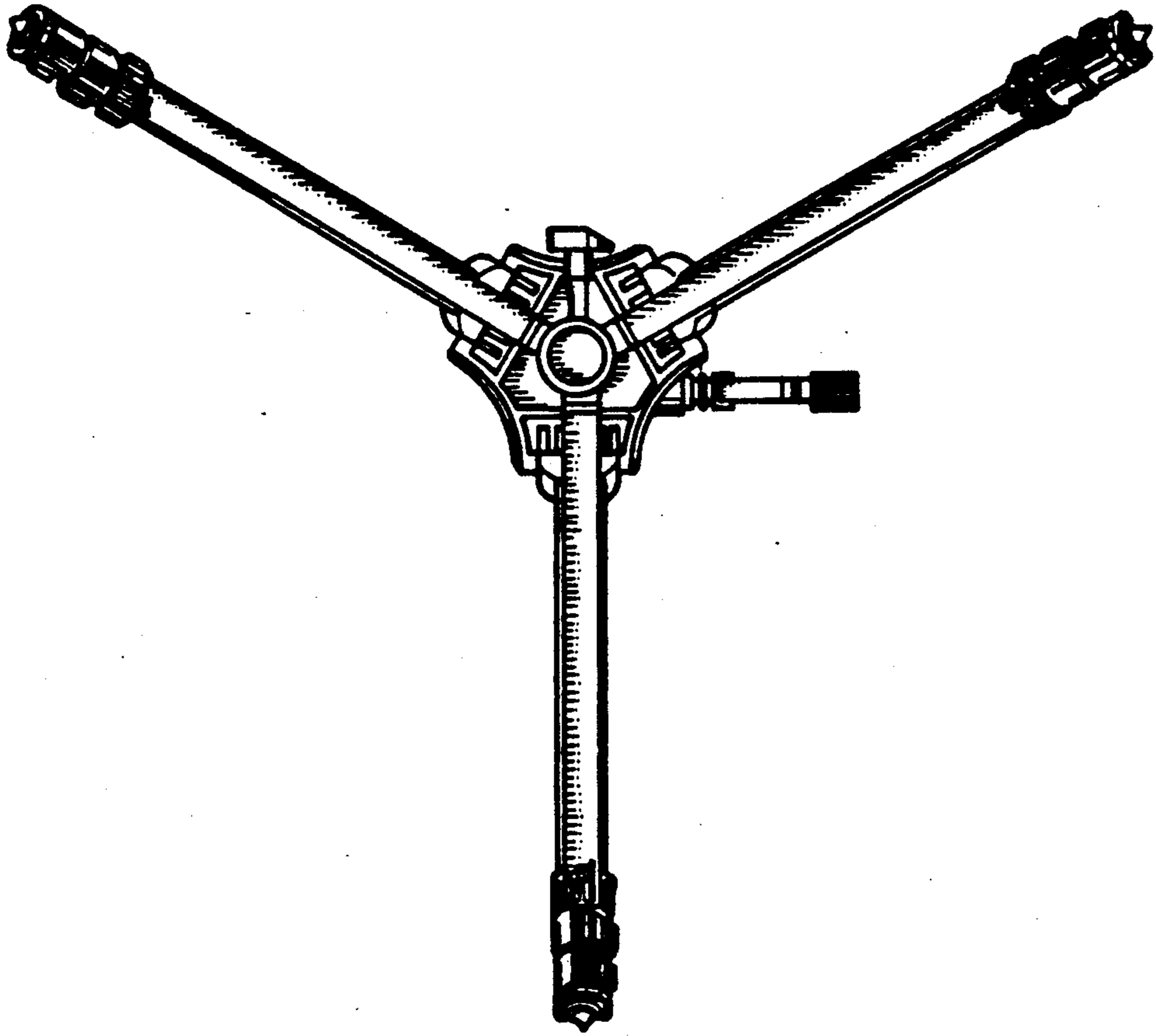


FIG. 5

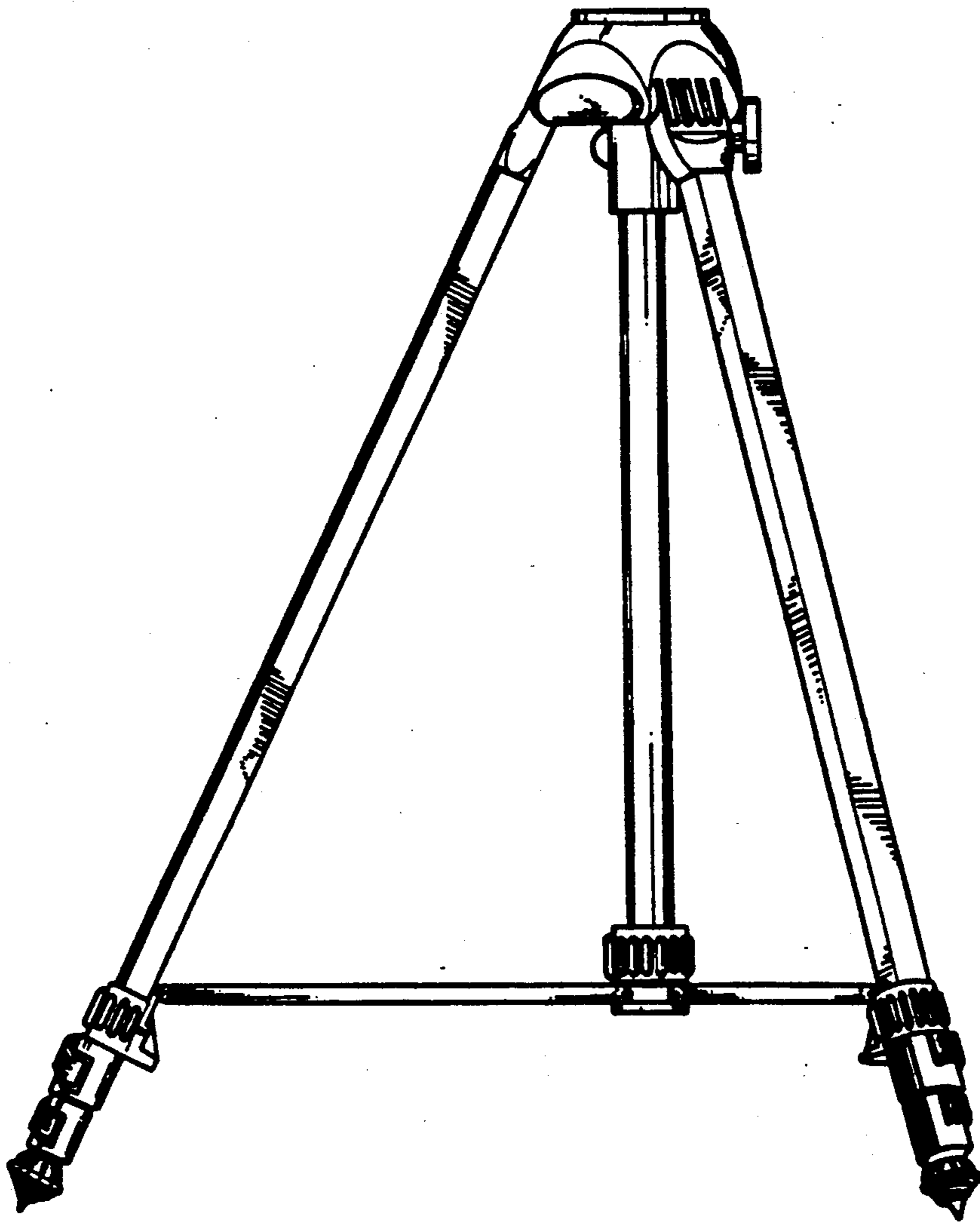


FIG. 6

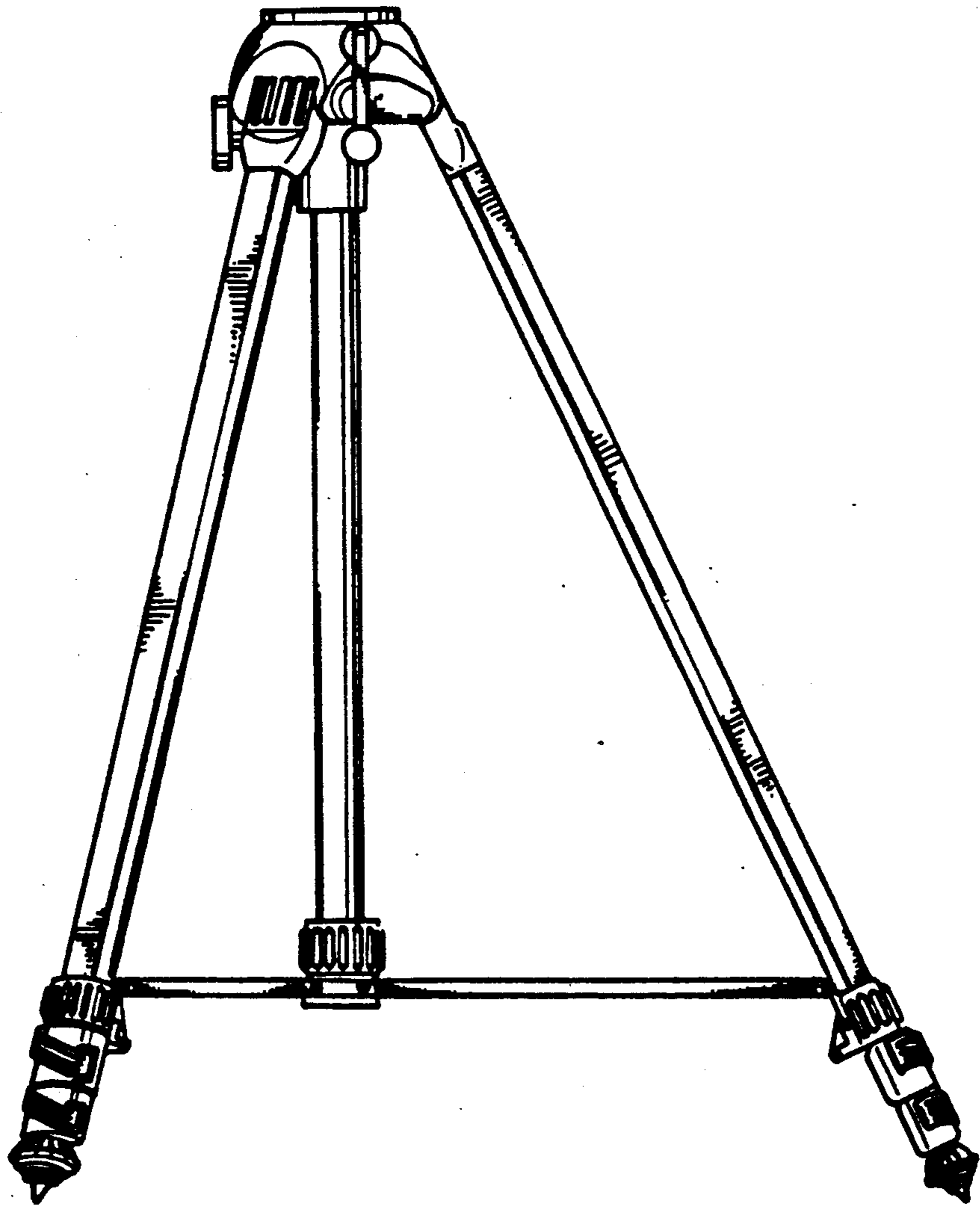


FIG. 7