



US00D333478S

United States Patent [19]

[11] Patent Number: **Des. 333,478**

Metcalf et al.

[45] Date of Patent: **** Feb. 23, 1993**

- [54] EYEGLASS SAFETY FRAME
- [75] Inventors: **Richard T. Metcalfe**, Sturbridge, Mass.; **Richard H. Seager**, Mystic, Conn.
- [73] Assignee: **Cabot Safety Corporation**, Southbridge, Mass.
- [**] Term: **14 Years**
- [21] Appl. No.: **789,478**
- [22] Filed: **Nov. 8, 1991**
- [52] U.S. Cl. **D16/102**
- [58] Field of Search **D16/102, 111-112, 116-117, 118, 121, 127; 351/44, 51, 90-91, 99, 103, 106, 110, 111, 144**

- D. 268,684 4/1983 Chuboff D16/102
- D. 270,165 8/1983 Burns D16/117
- D. 324,058 2/1992 Longsdorf D16/102
- 3,492,062 1/1970 Hoover D16/111
- 4,504,127 3/1985 Cottet 351/106

Primary Examiner—Bernard Ansher
Assistant Examiner—R. Barkai
Attorney, Agent, or Firm—Michelle B. Lando

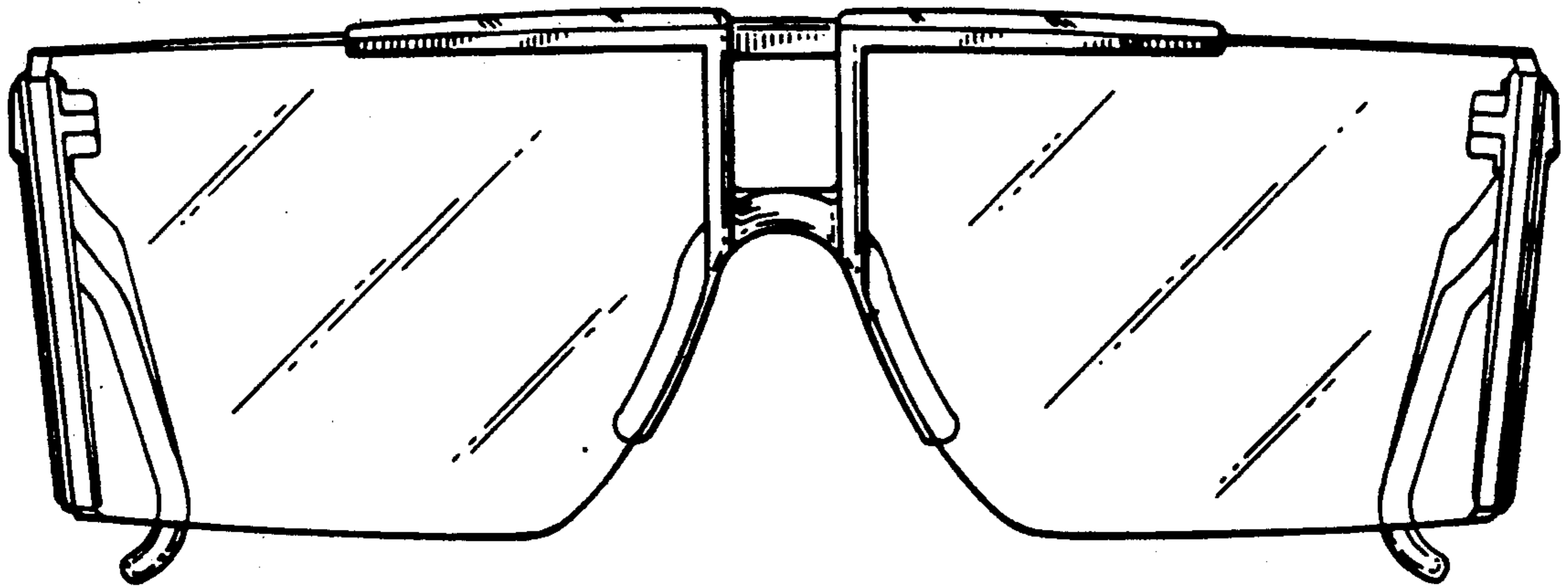
[57] CLAIM

The ornamental design of an eyeglass safety frame, as shown and described.

DESCRIPTION

FIG. 1 is a front elevational view of an eyeglass safety frame showing our new design;
 FIG. 2 is a top plan view thereof;
 FIG. 3 is a rear elevational view thereof;
 FIG. 4 is a bottom plan view thereof;
 FIG. 5 is a right side elevational view thereof, with the left side elevation being a mirror image; and,
 FIG. 6 is a perspective view thereof.

- [56] **References Cited**
- U.S. PATENT DOCUMENTS**
- D. 202,130 8/1965 Mitchell D16/116
- D. 204,566 4/1966 Mitchell D16/111
- D. 256,693 9/1980 Eaton D16/117



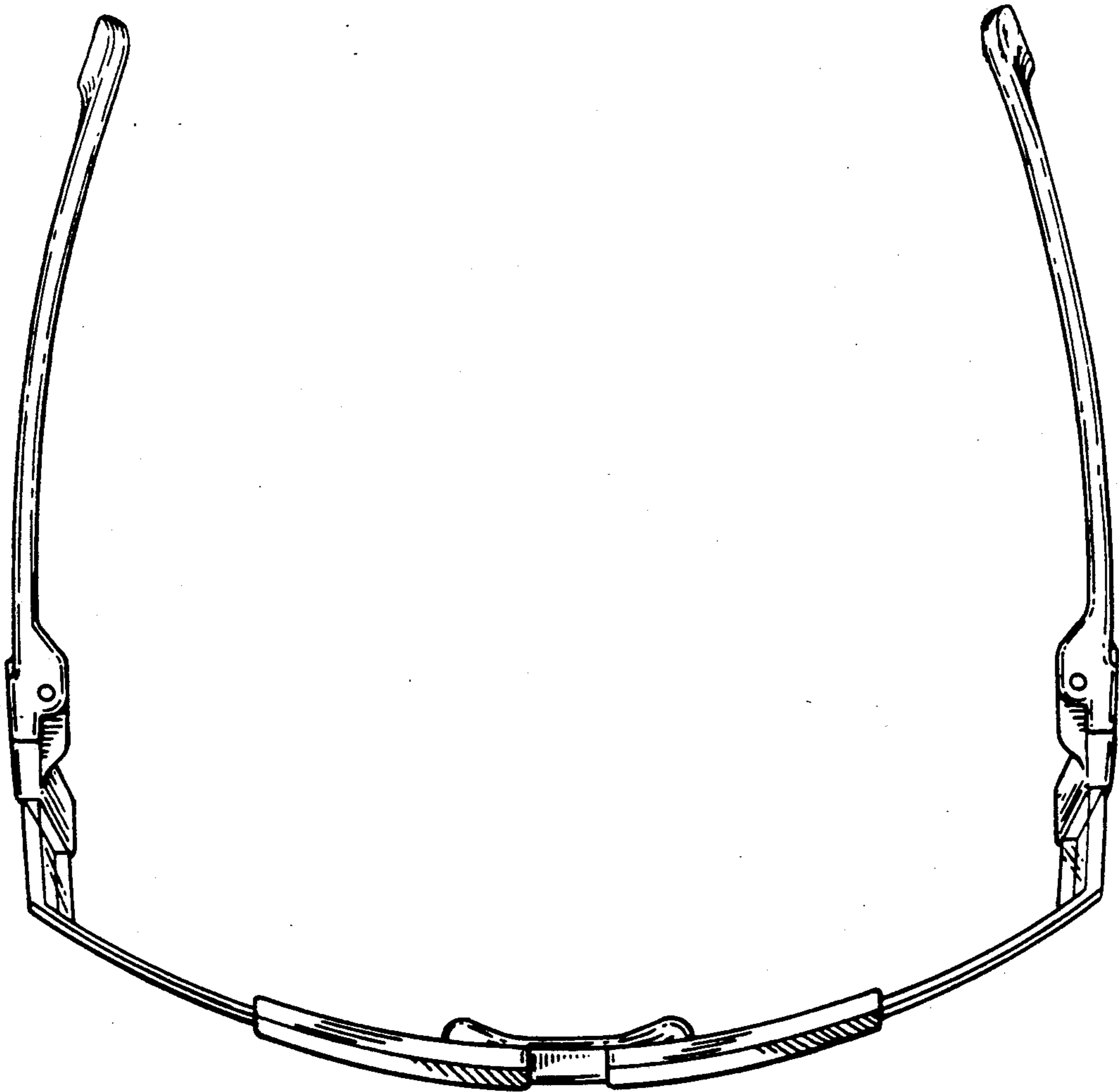


Fig. 2

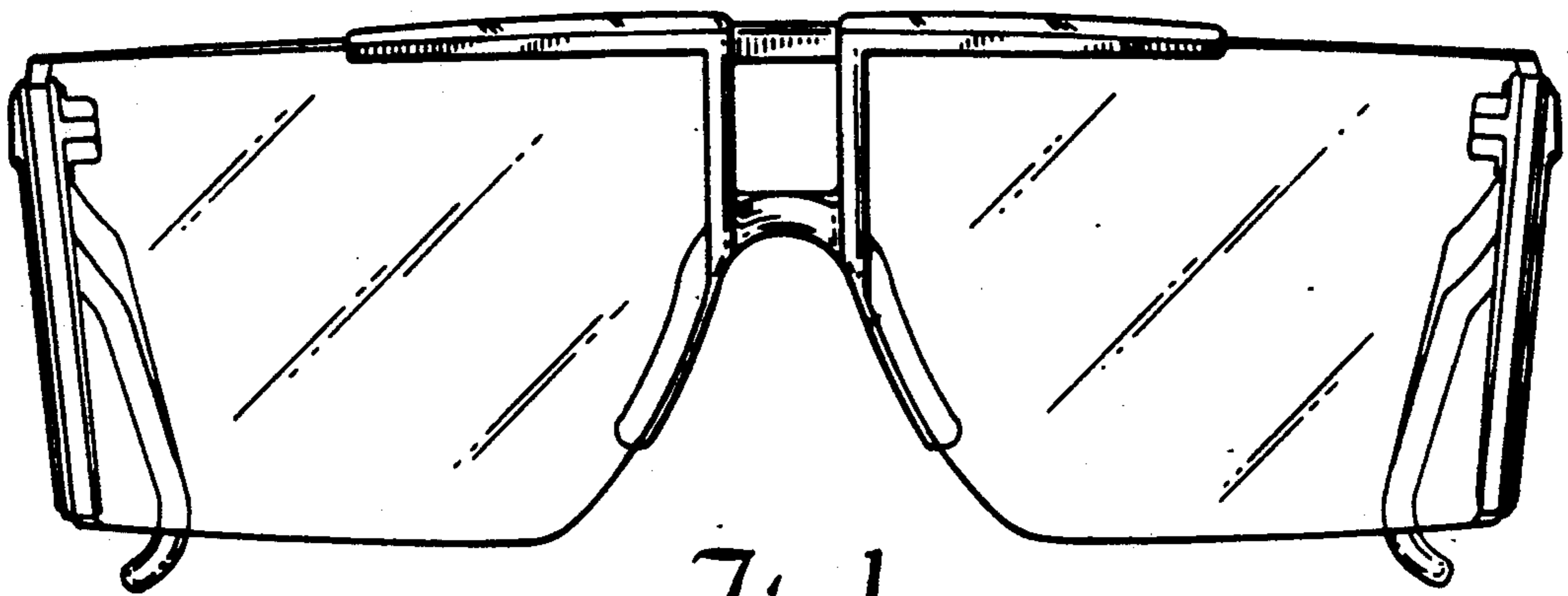


Fig. 1

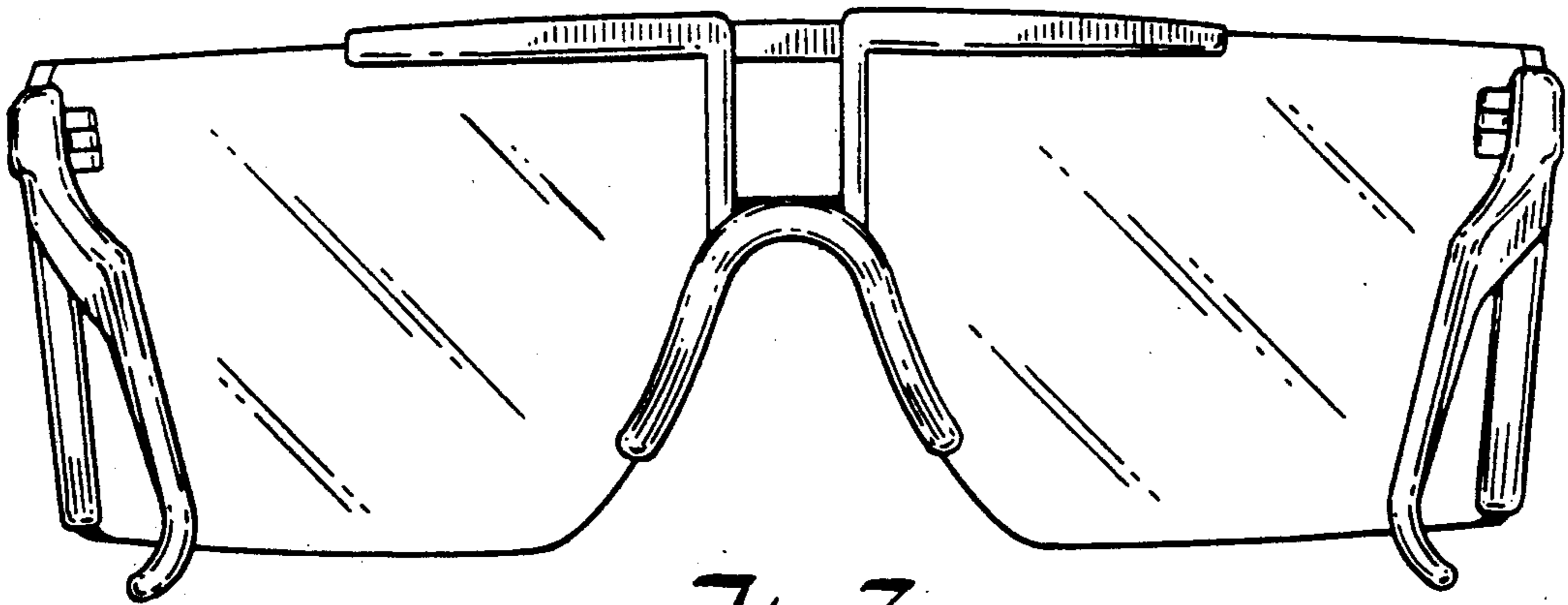


Fig. 3

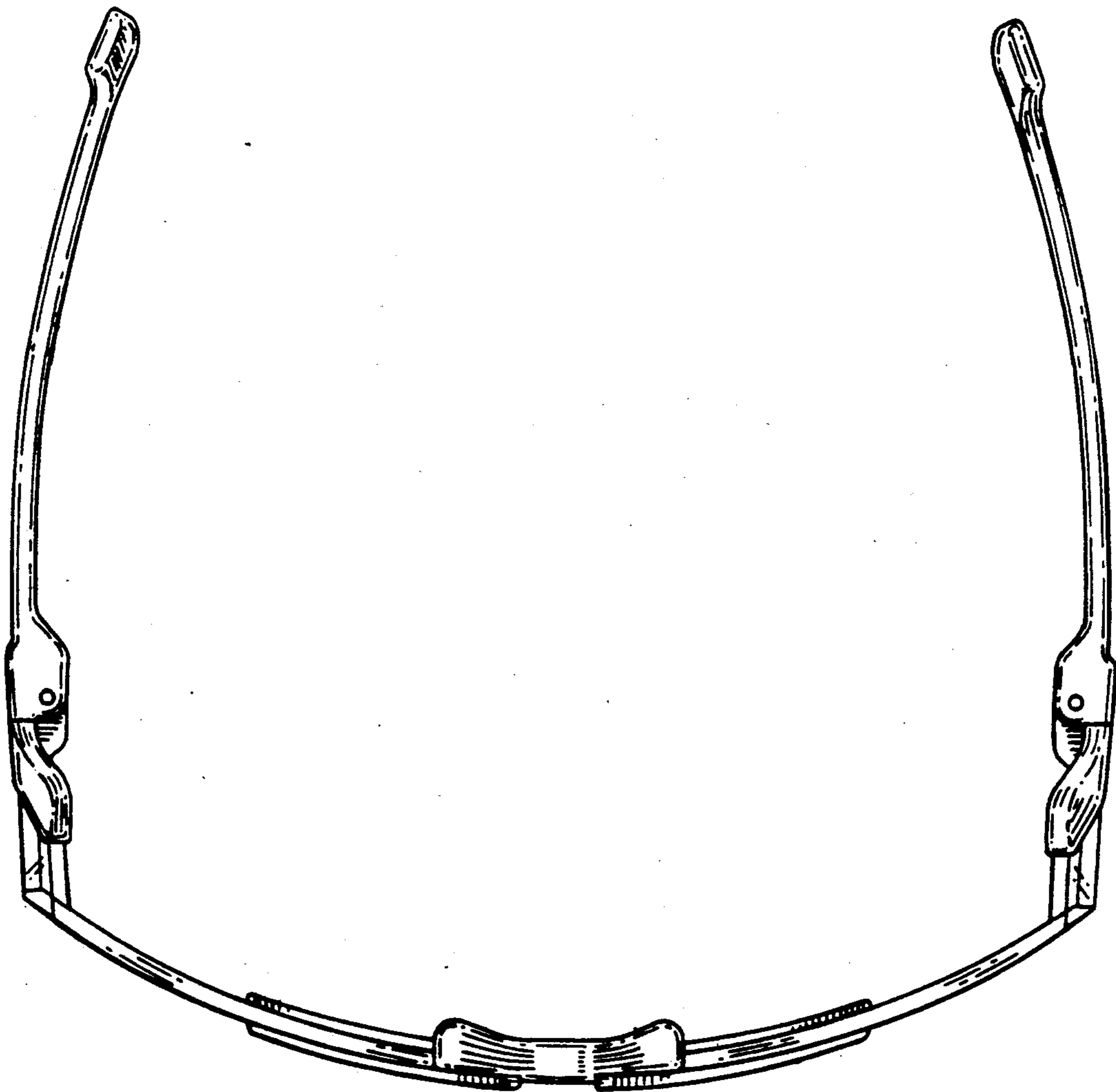


Fig. 4

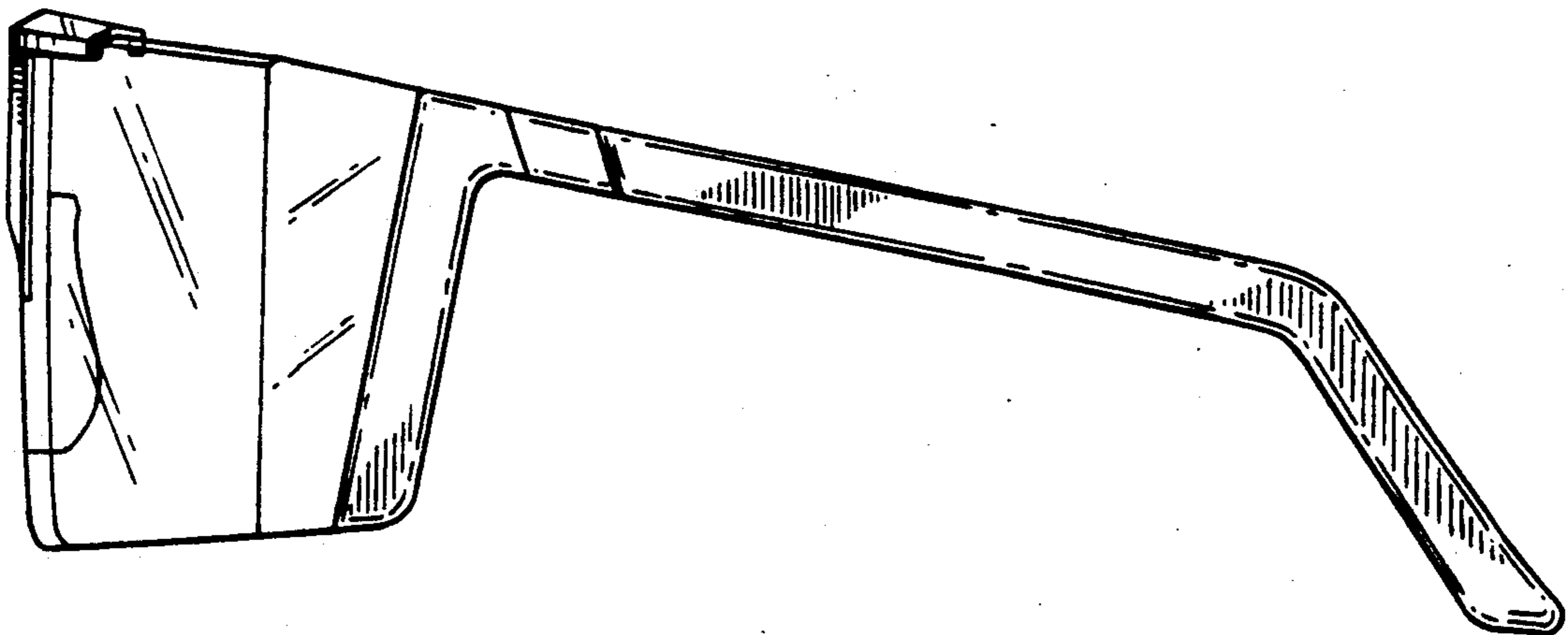


Fig. 5

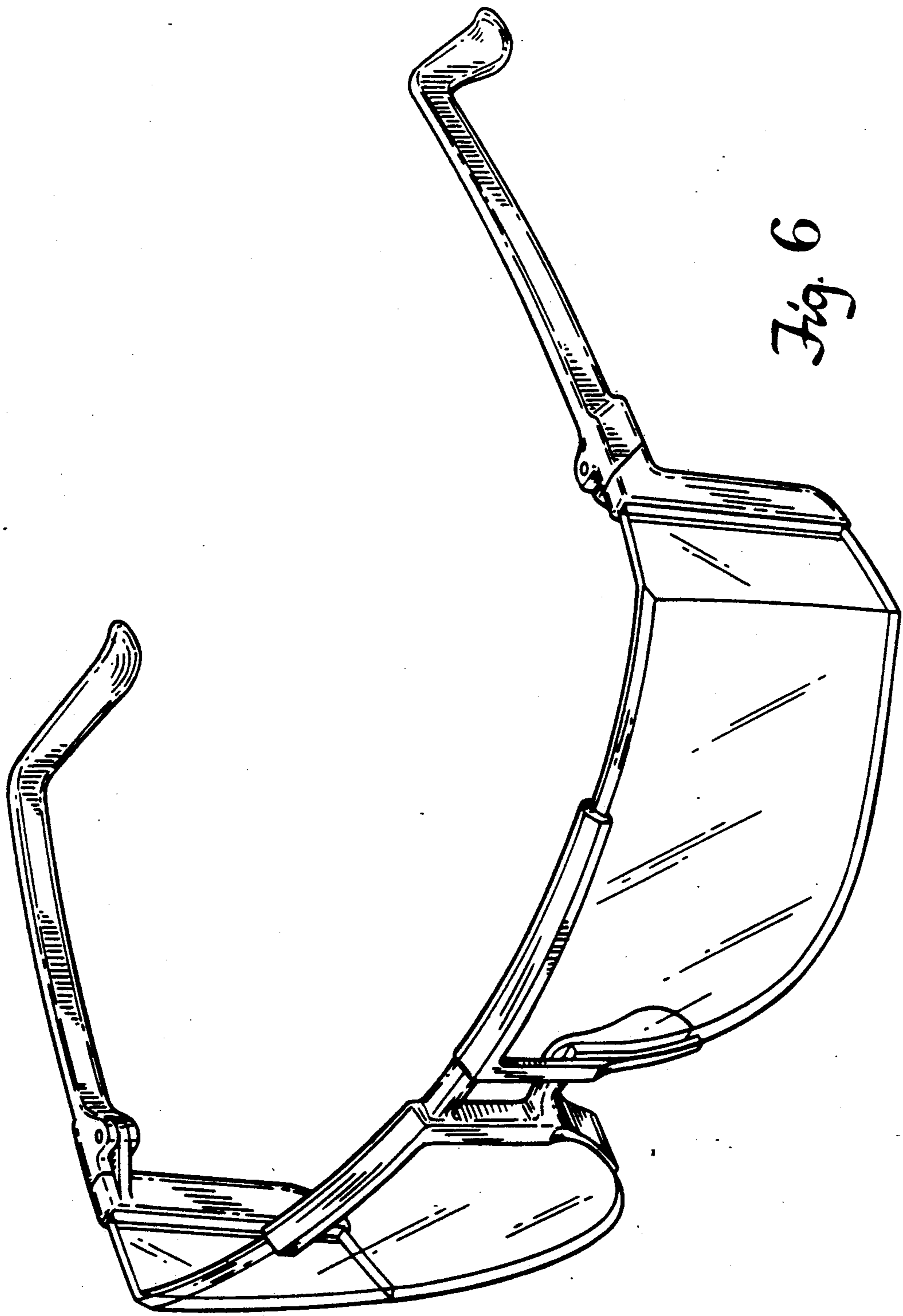


Fig. 6