



US00D333477S

United States Patent [19]

[11] Patent Number: **Des. 333,477**

Stralow

[45] Date of Patent: **** Feb. 23, 1993**

[54] CAN CRUSHER

4,062,283 12/1977 Kaminski D15/123 XZ
4,890,552 1/1990 Yelczyn 100/233

[76] Inventor: Cecil J. Stralow, 14672 Brookstone Dr., Poway, Calif. 92064

Primary Examiner—Alan P. Douglas
Assistant Examiner—Antoine D. Davis
Attorney, Agent, or Firm—Henderson & Sturm

[**] Term: 14 Years

[21] Appl. No.: 642,770

[57] CLAIM

[22] Filed: Jan. 18, 1991

The ornamental design for a can crusher, as shown.

[52] U.S. Cl. D15/123

[58] Field of Search D15/123; 100/37, 98 R,
100/215, 233, 264-268, 283, 288, 295, 902

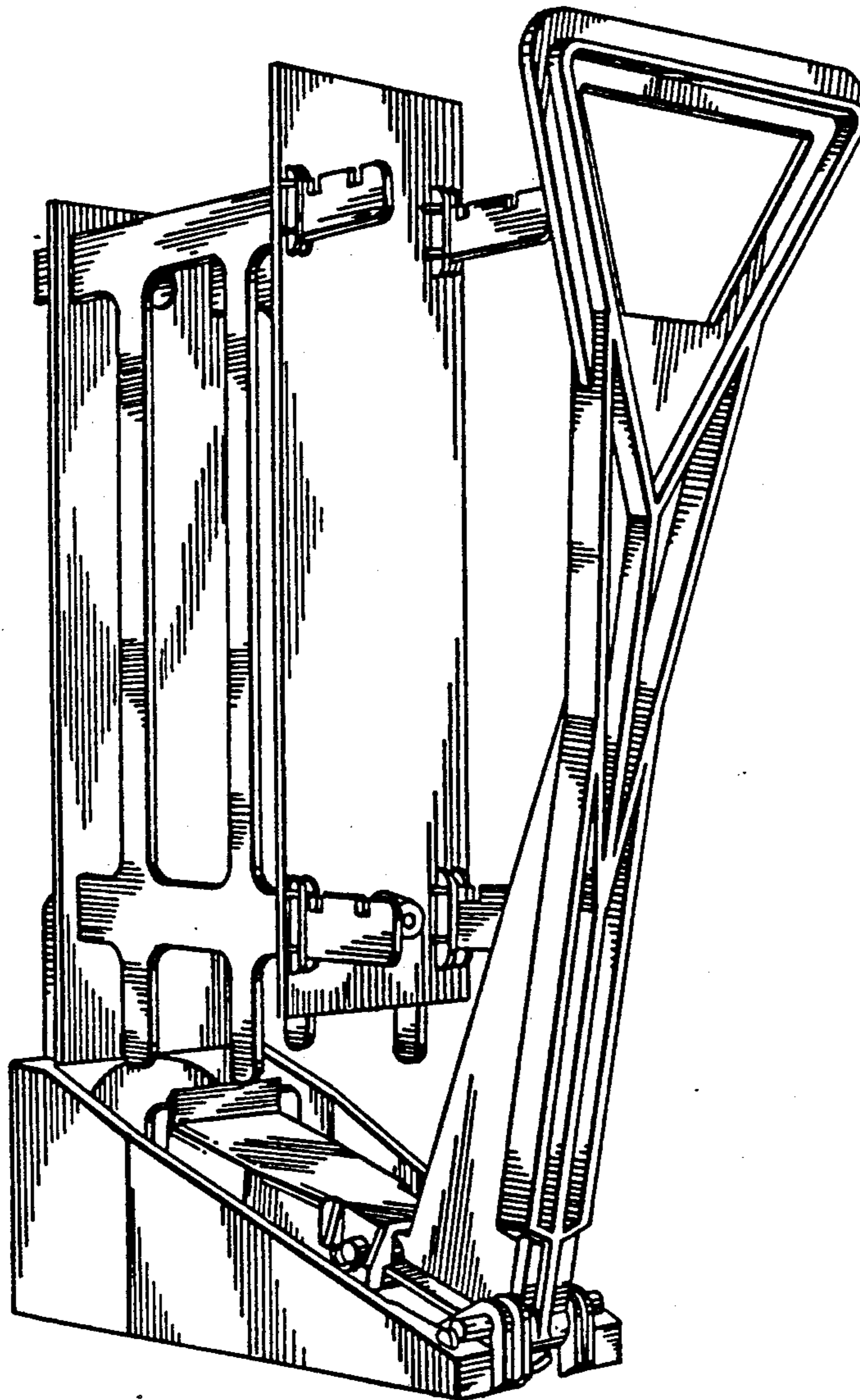
DESCRIPTION

[56] References Cited

U.S. PATENT DOCUMENTS

D. 239,320 3/1976 Doyel D15/123
D. 268,761 4/1983 Brown D15/123
D. 328,079 7/1992 Chadwick D15/123
3,358,332 12/1967 Downey 100/266 XZ

FIG. 1 is a top, front and left side perspective view of a can crusher showing my new design;
FIG. 2 is a right side elevational view;
FIG. 3 is a bottom plan view;
FIG. 4 is a top plan view;
FIG. 5 is a left side elevational view;
FIG. 6 is a front elevational view; and,
FIG. 7 is a rear elevational view thereof.



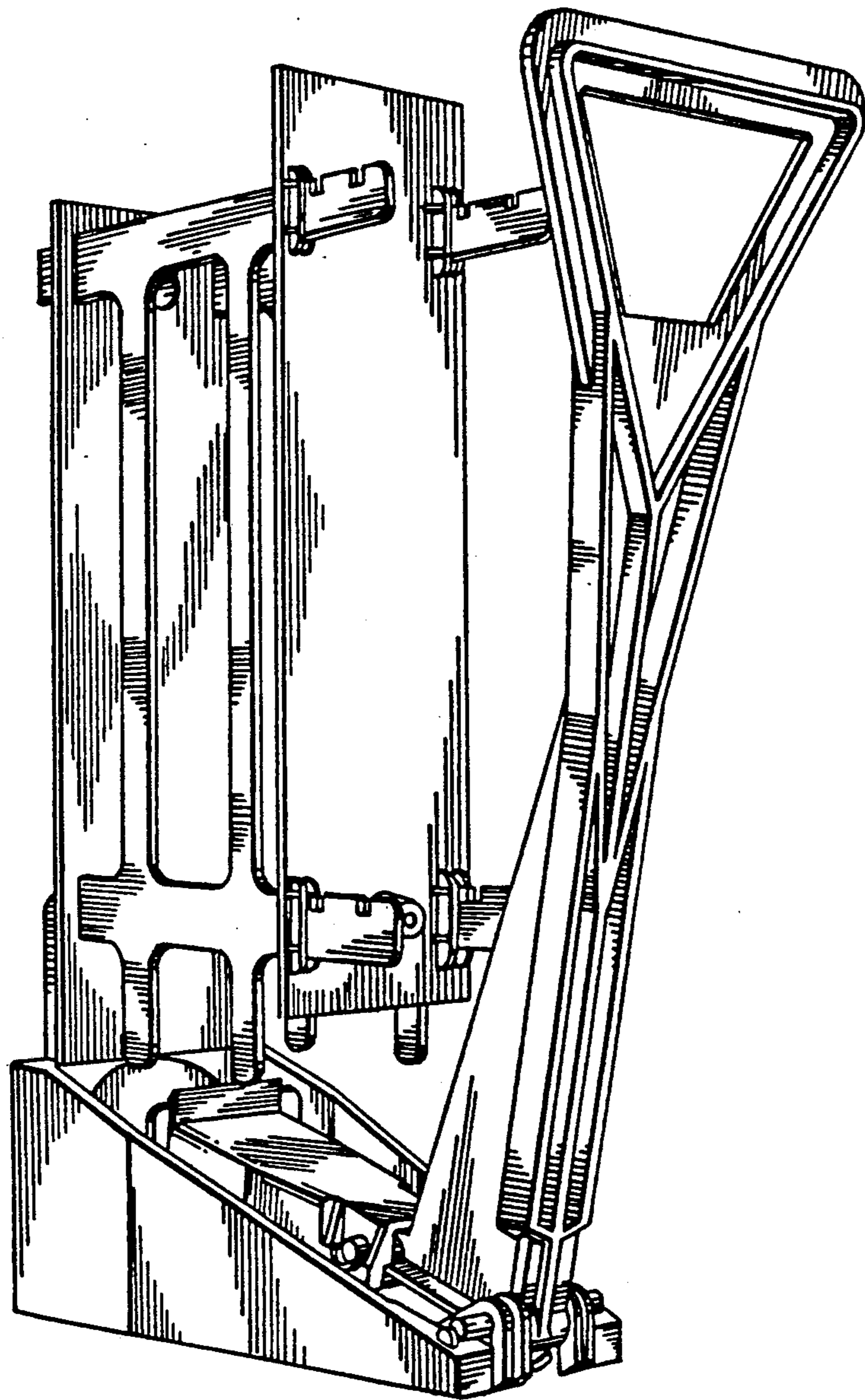


Fig. 1

Fig. 2

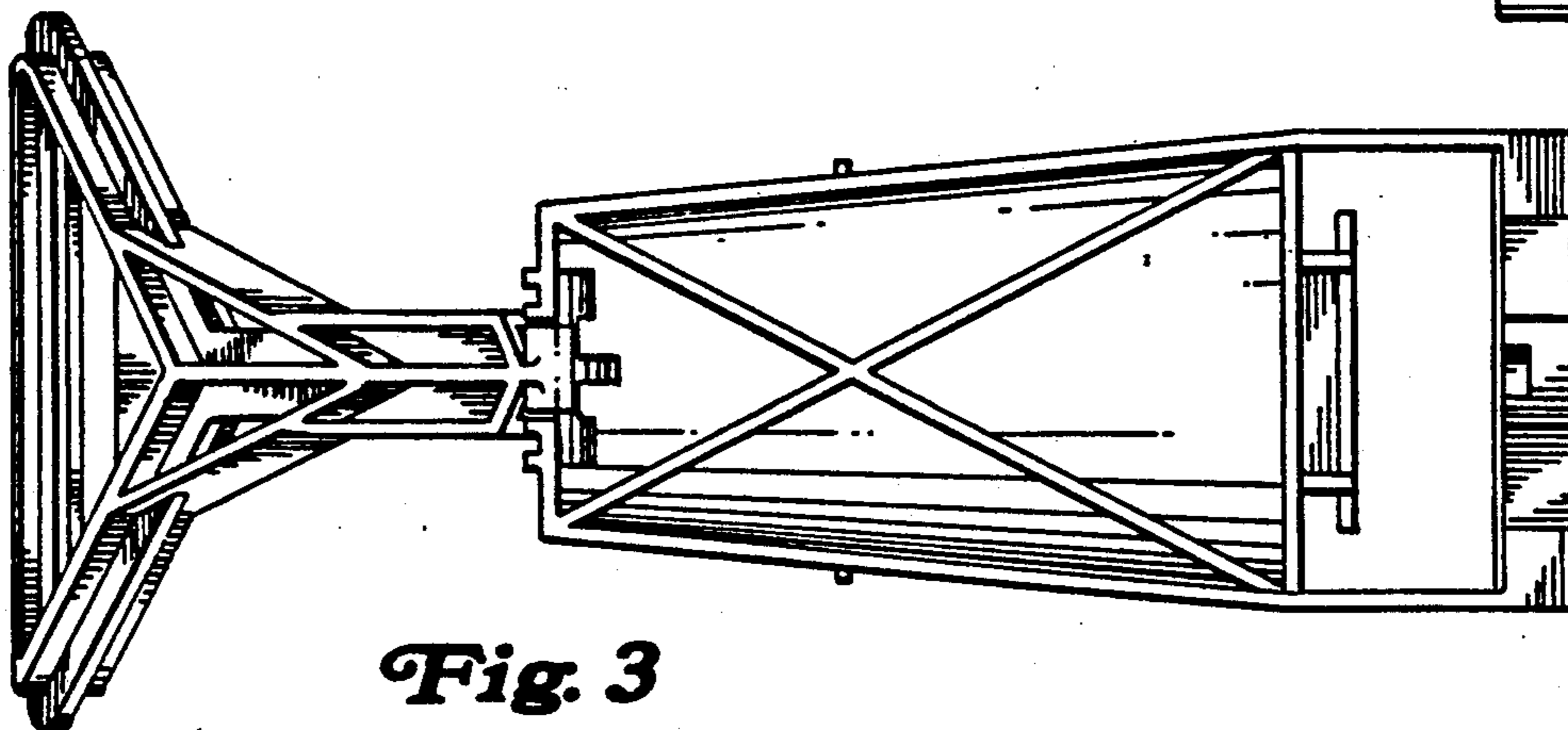
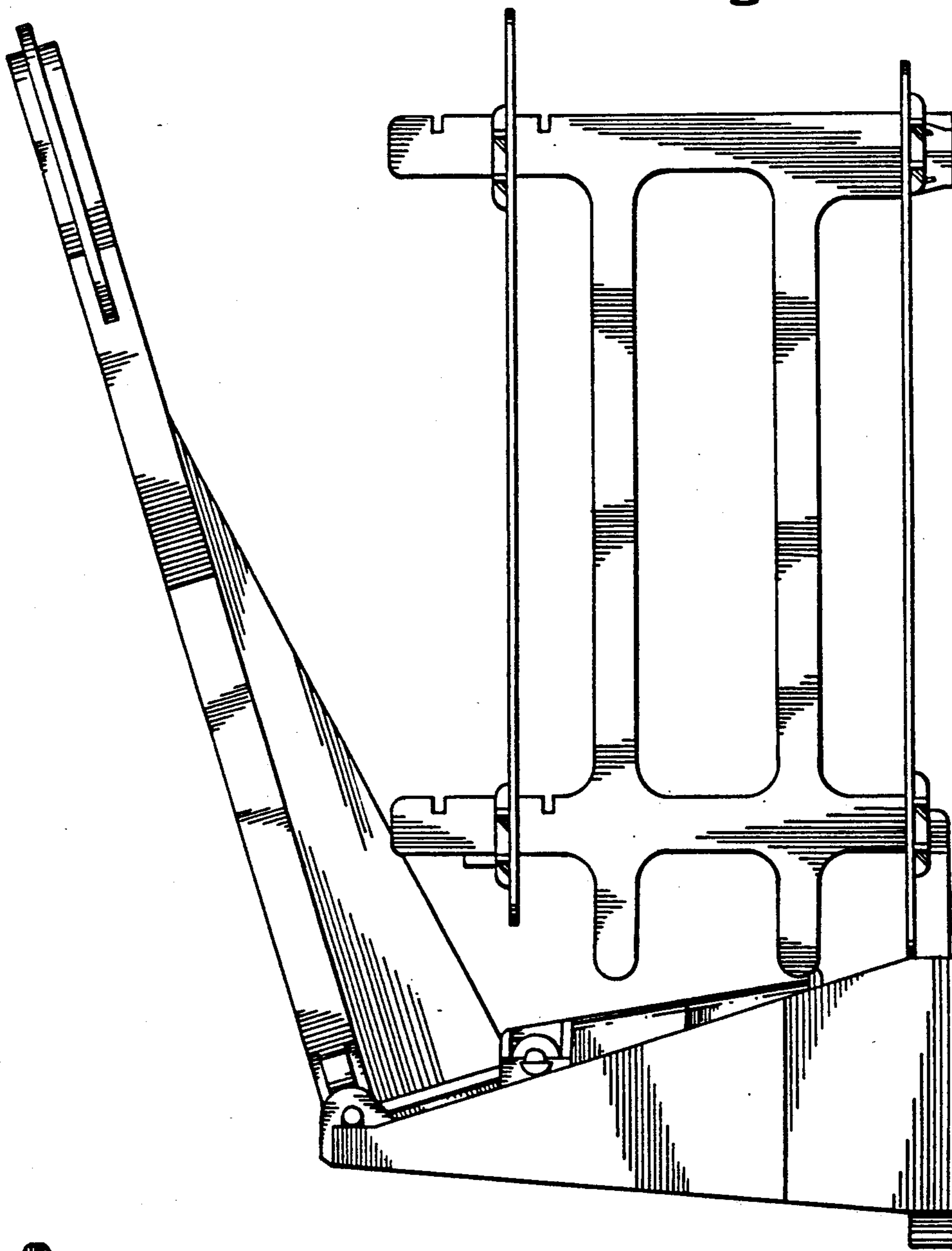


Fig. 3

Fig. 4

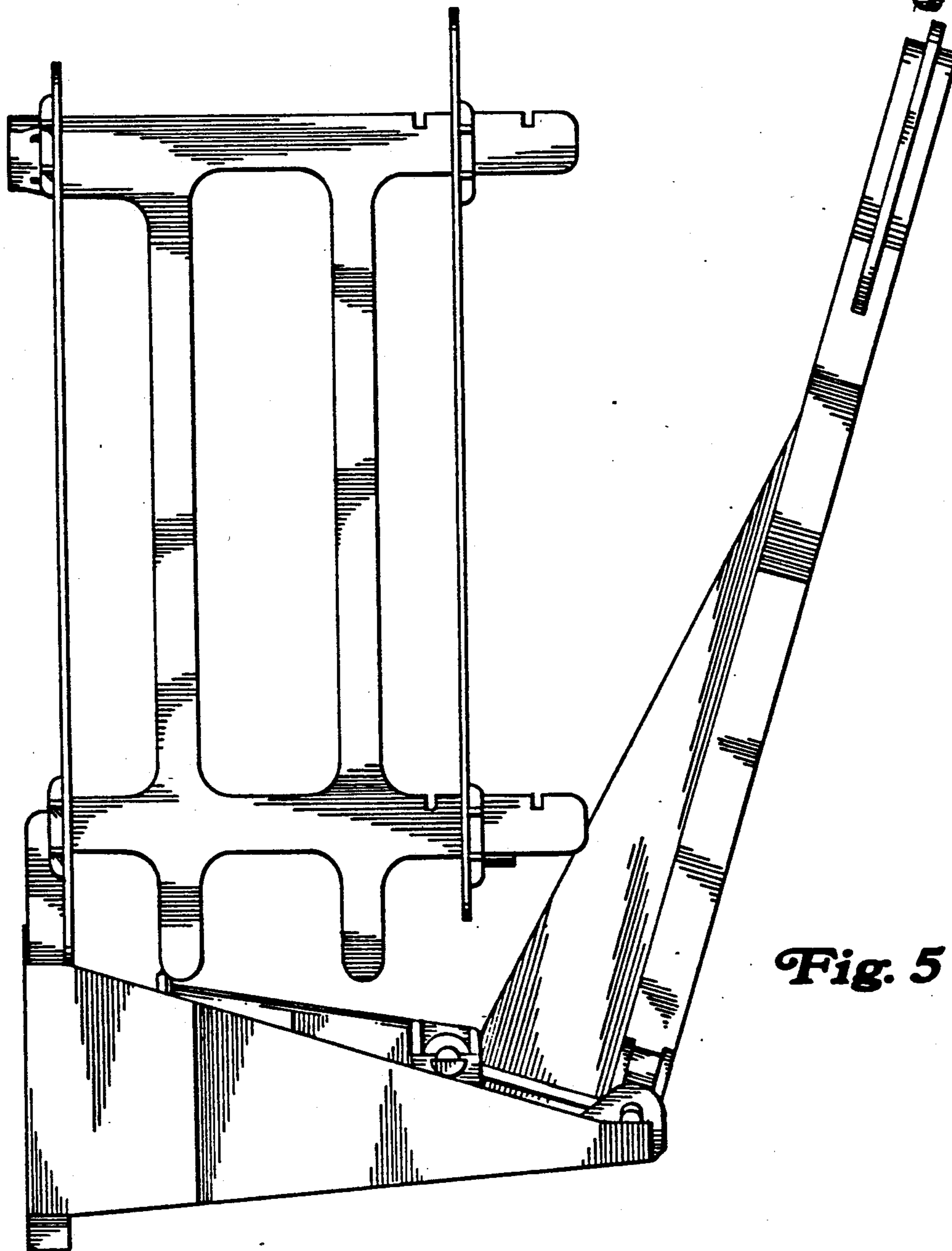
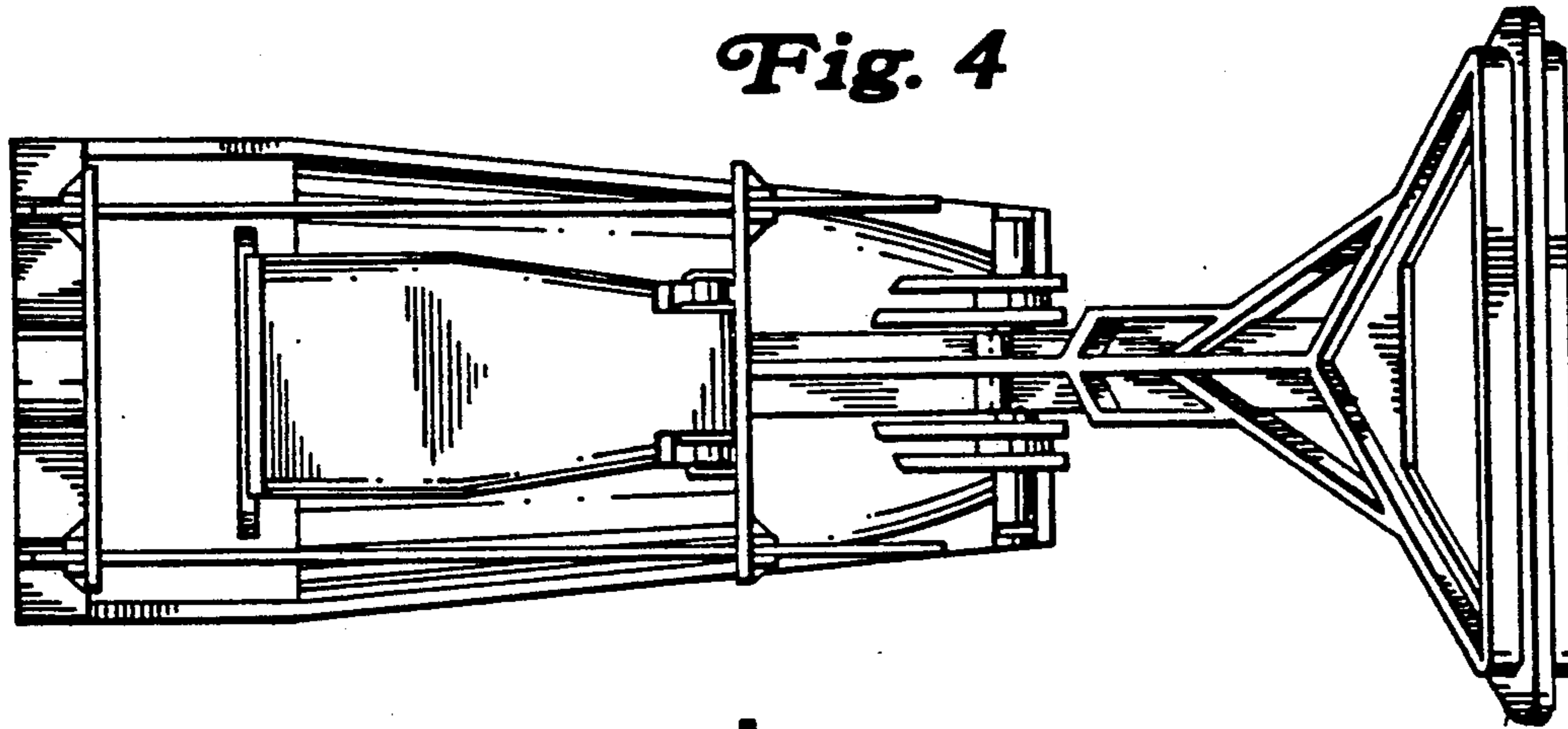


Fig. 5

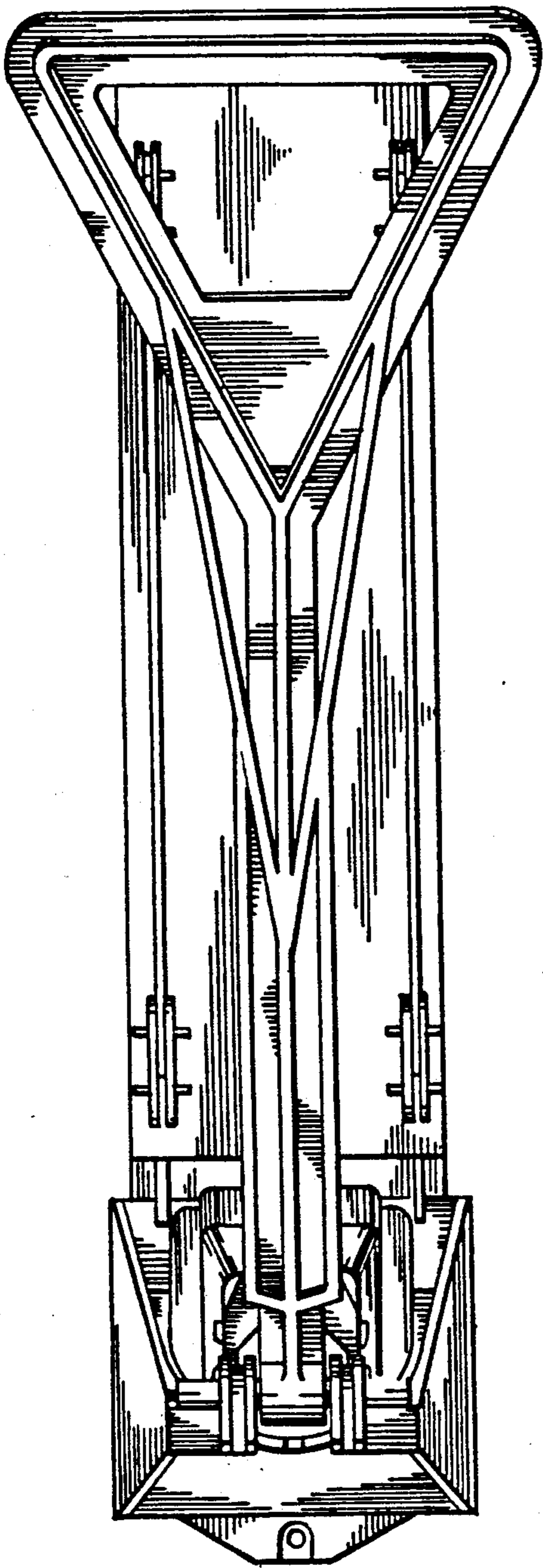


Fig. 6

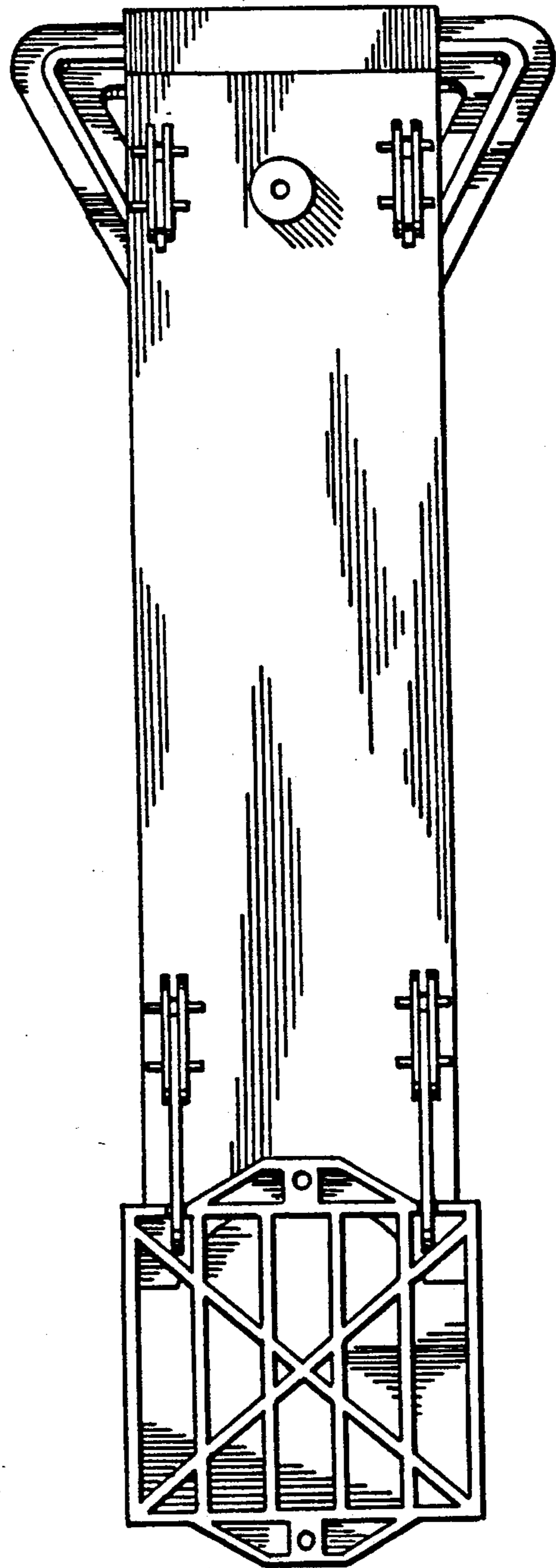


Fig. 7